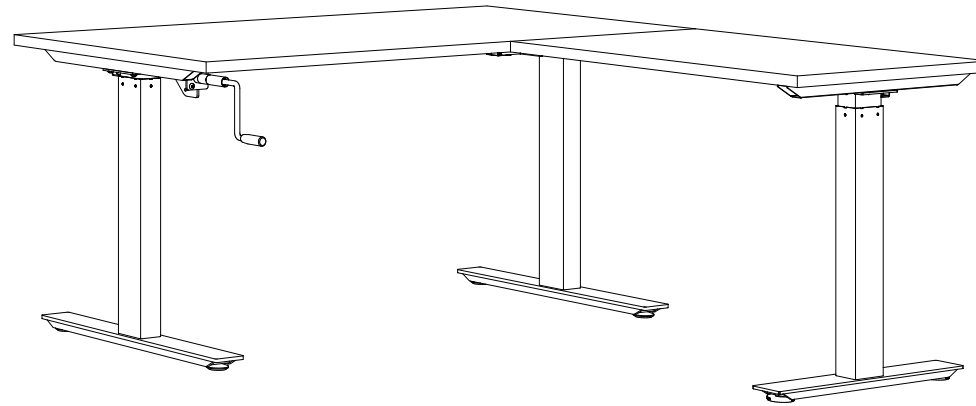


Agile



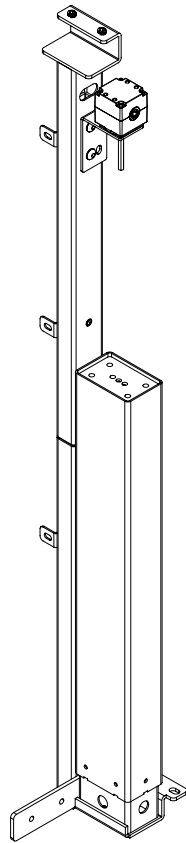
Installation Guide Winder 2 Column Right Hand Return For Single Desk



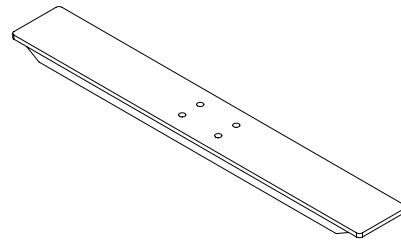
Agile

Installation Guide Winder 2 Column Right Hand Return For Single Desk

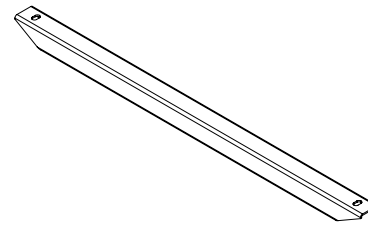
Parts:



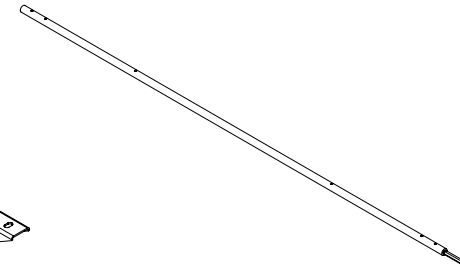
1 x Return Leg



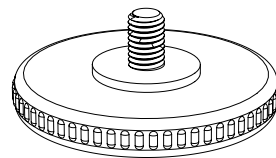
1 x Foot



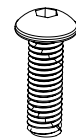
1 x Support Bar



1 x Drive Bar



2 x Levelling Foot



4 x M8x25



5 x ST5x23

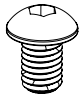


4 x M8x10

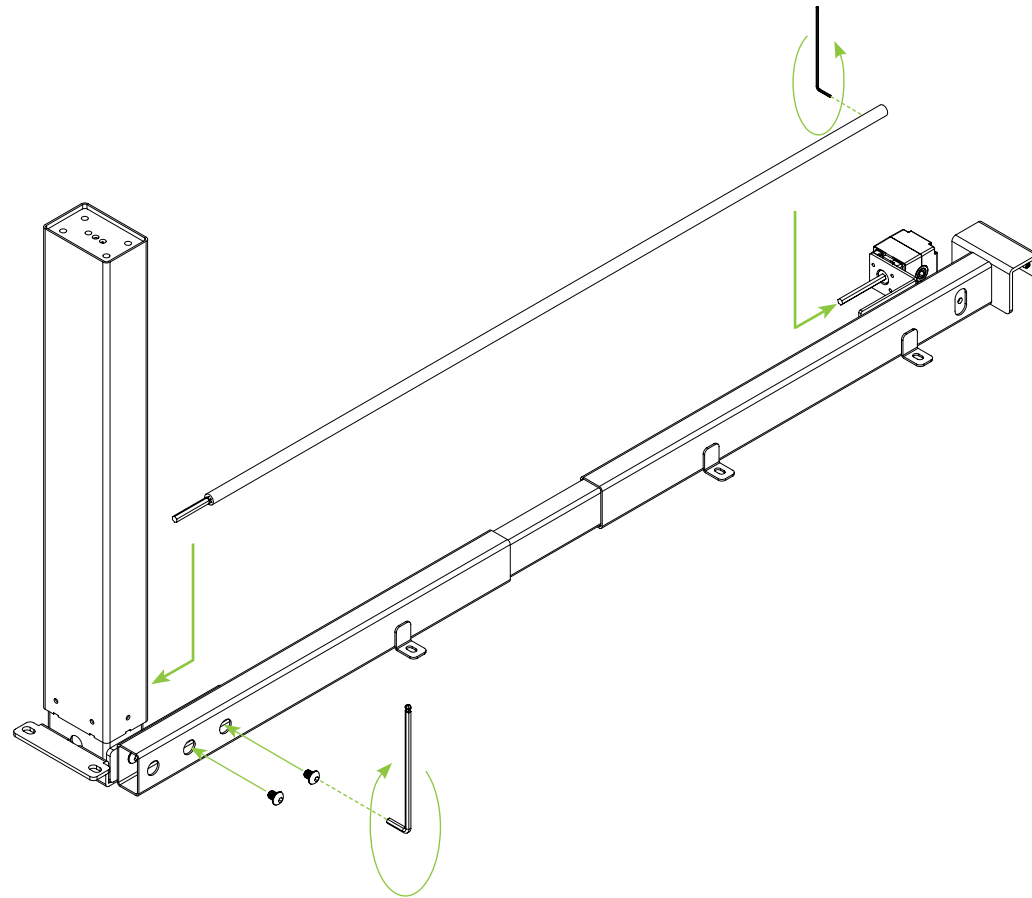
Agile

Installation Guide Winder 2 Column Right Hand Return For Single Desk

Step 1



2 x M8x10



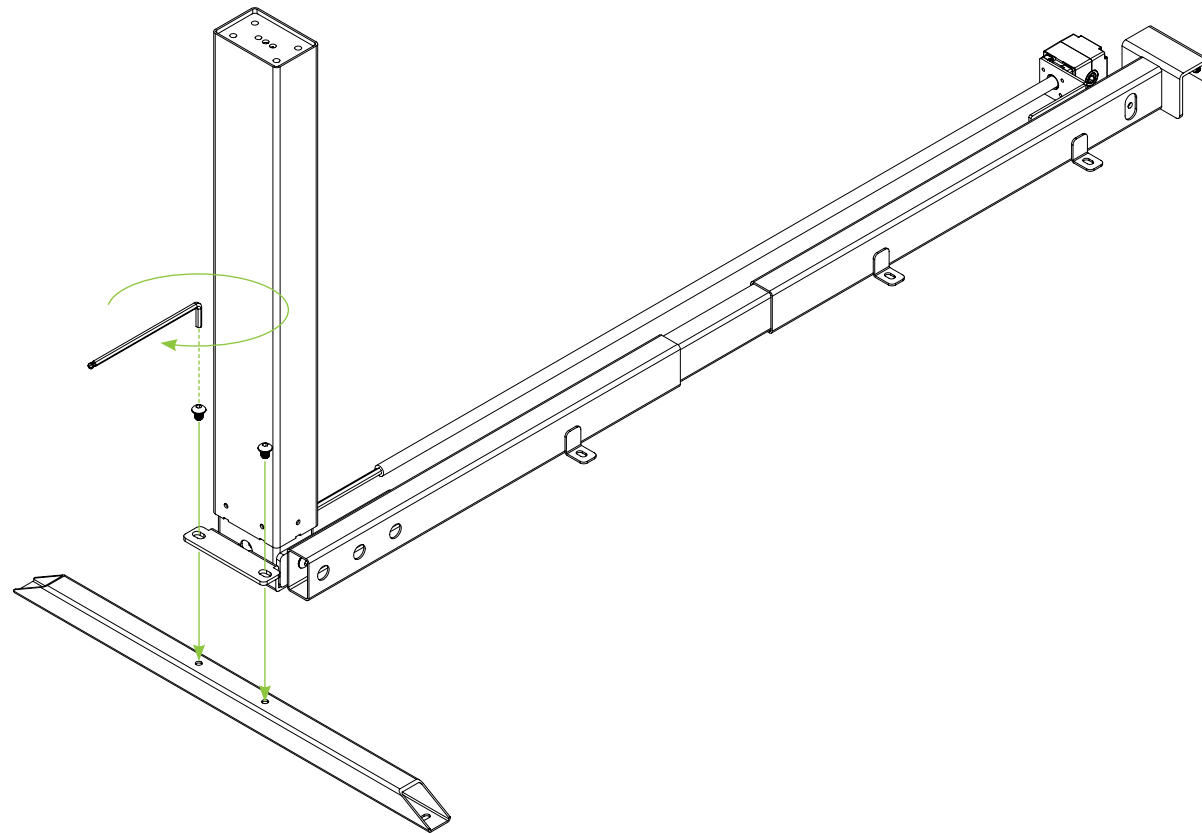
Agile

Installation Guide Winder 2 Column Right Hand Return For Single Desk

Step 2



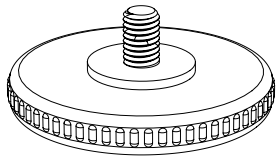
2 x M8x10



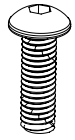
Agile

Installation Guide Winder 2 Column Right Hand Return For Single Desk

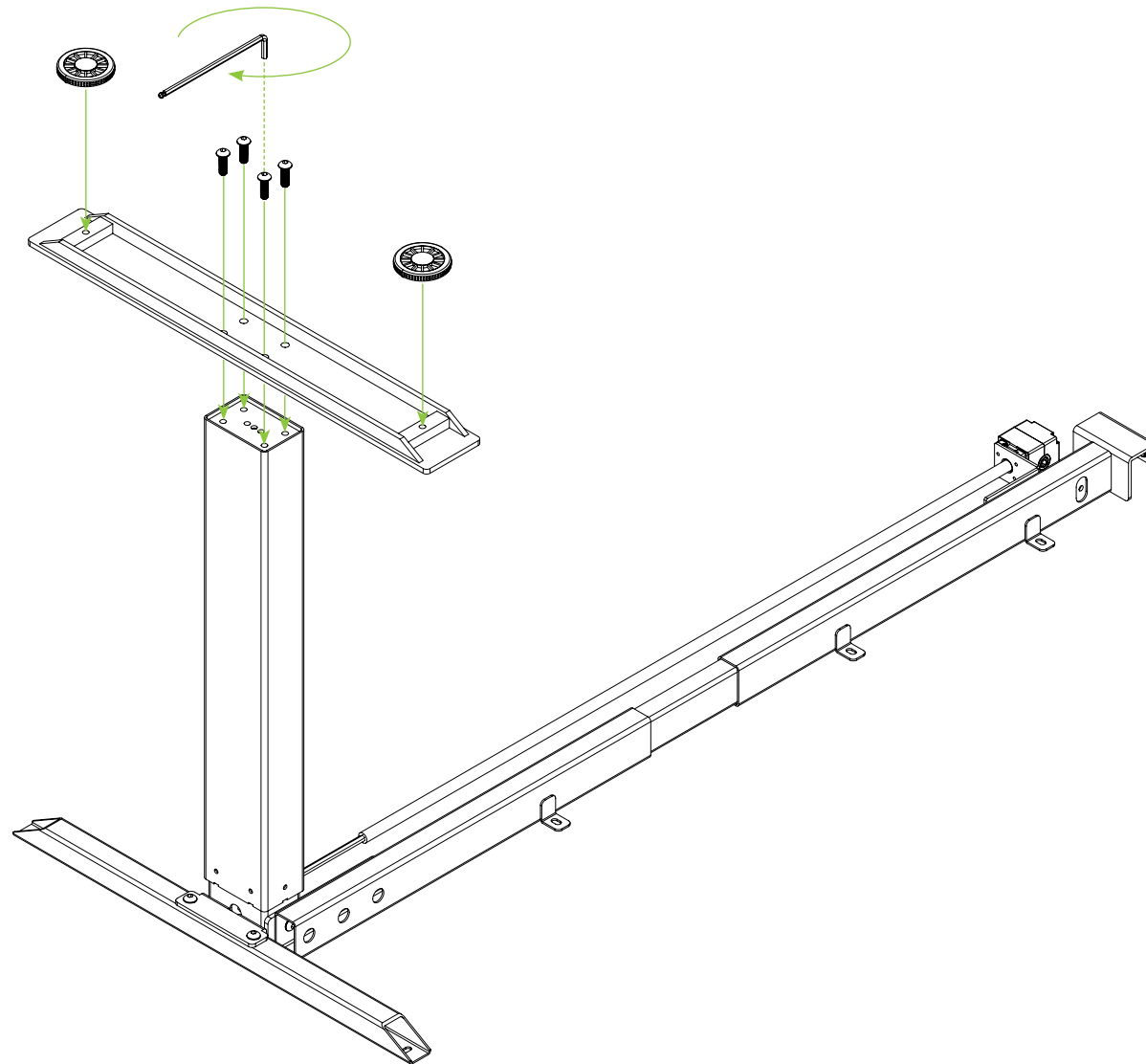
Step 3



2 x Levelling Foot



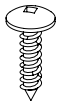
4 x M8x25



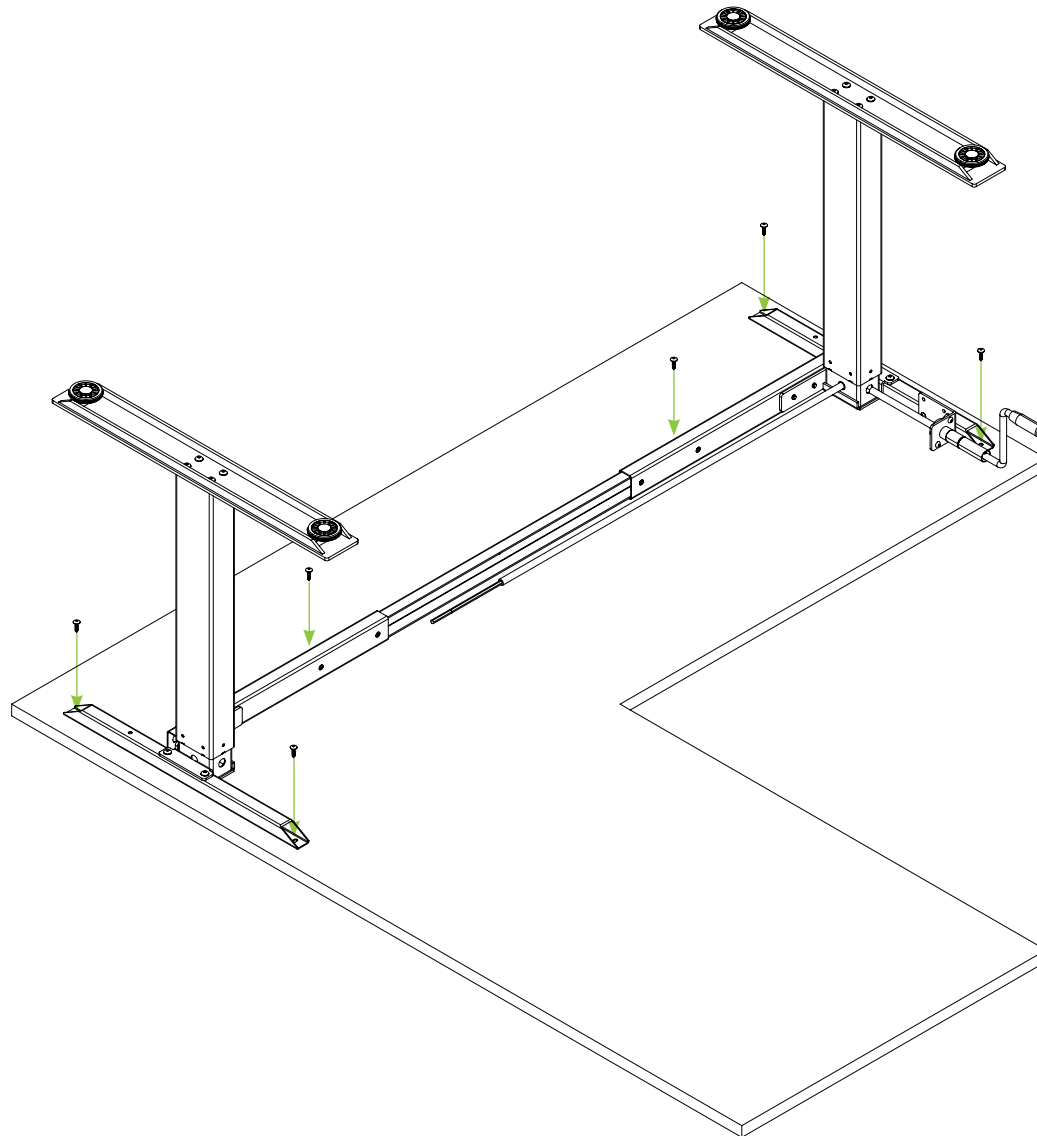
Agile

Installation Guide Winder 2 Column Right Hand Return For Single Desk

Step 4



6 x ST5x23



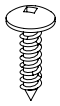
IMPORTANT!

REFER TO SINGLE-SIDED WINDER 2
COLUMN DESK INSTALLATION GUIDE TO
ASSEMBLE DESK FRAME.

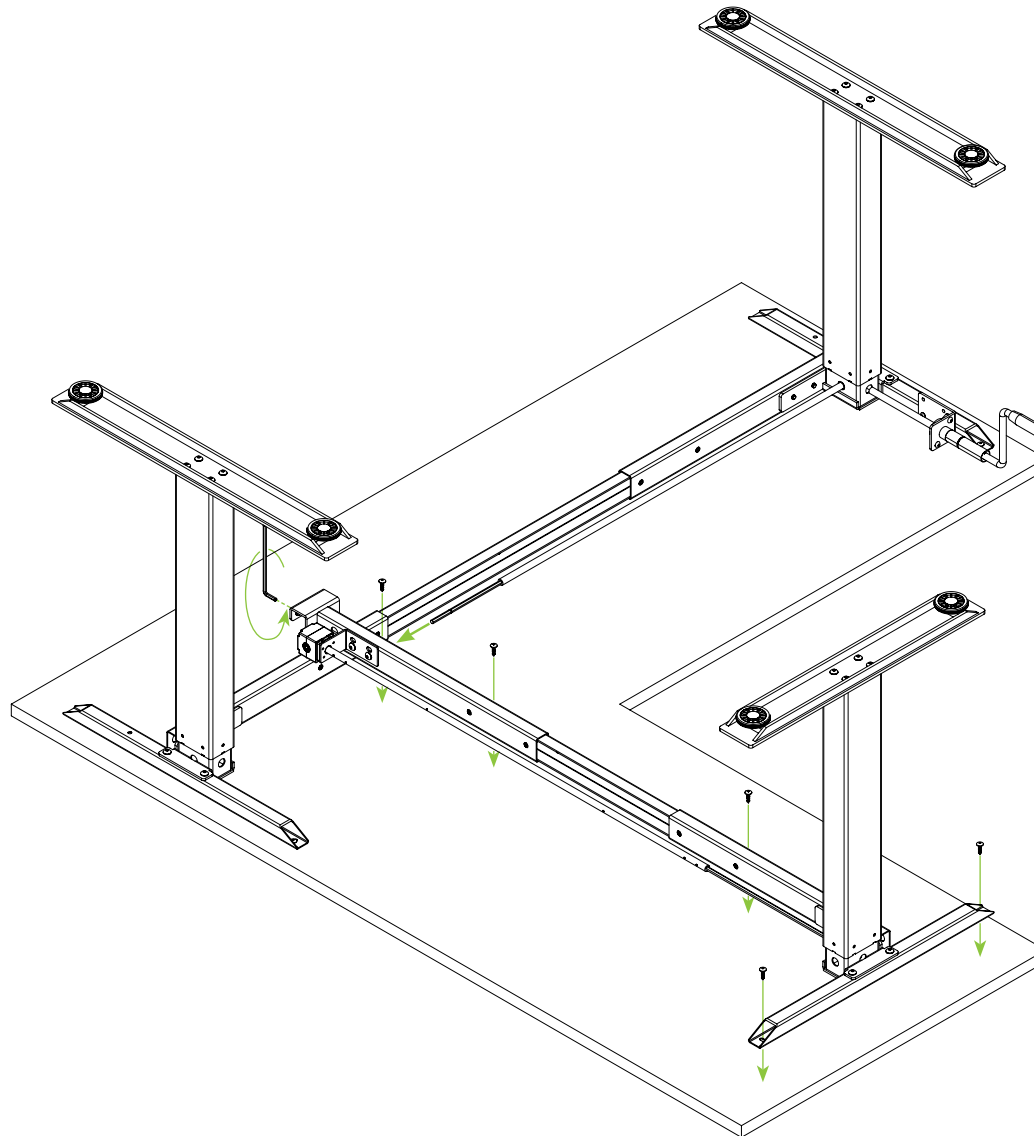
Agile

Installation Guide Winder 2 Column Right Hand Return For Single Desk

Step 5



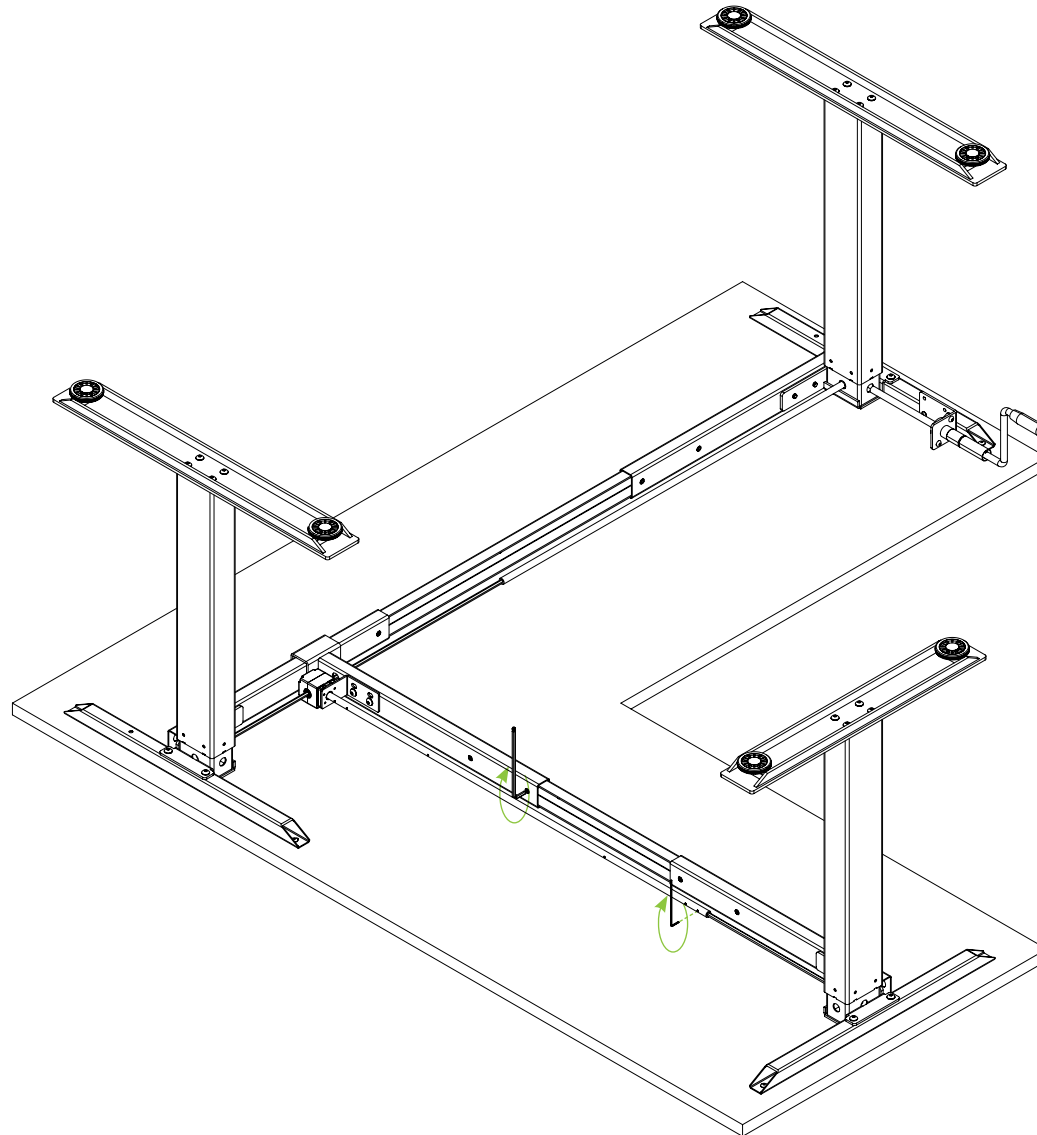
5 x ST5x23



Agile

Installation Guide Winder 2 Column Right Hand Return For Single Desk

Step 6



Agile

Installation Guide Winder 2 Column Right Hand Return For Single Desk

Completed

