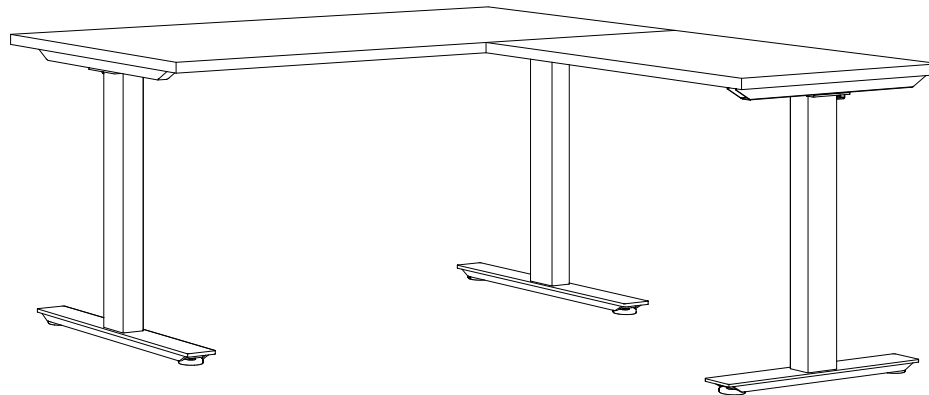


Agile



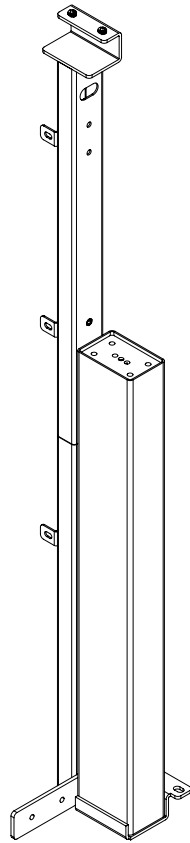
Installation Guide - Fixed Height Right Hand Return For Single Desk (90° workstation)



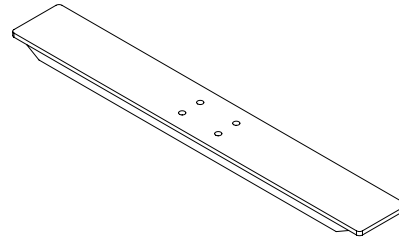
Agile

Installation Guide - Fixed Height Right Hand Return For Single Desk (90° workstation)

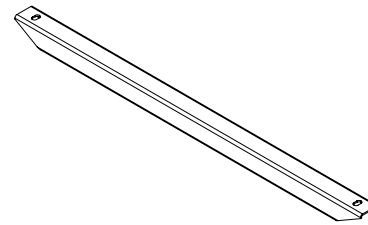
Parts:



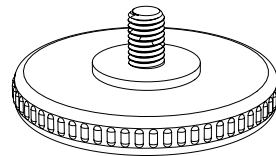
1 x Return Leg



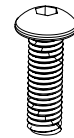
1 x Foot



1 x Support Bar



2 x Levelling Foot



4 x M8x25



5 x ST5x23



4 x M8x10

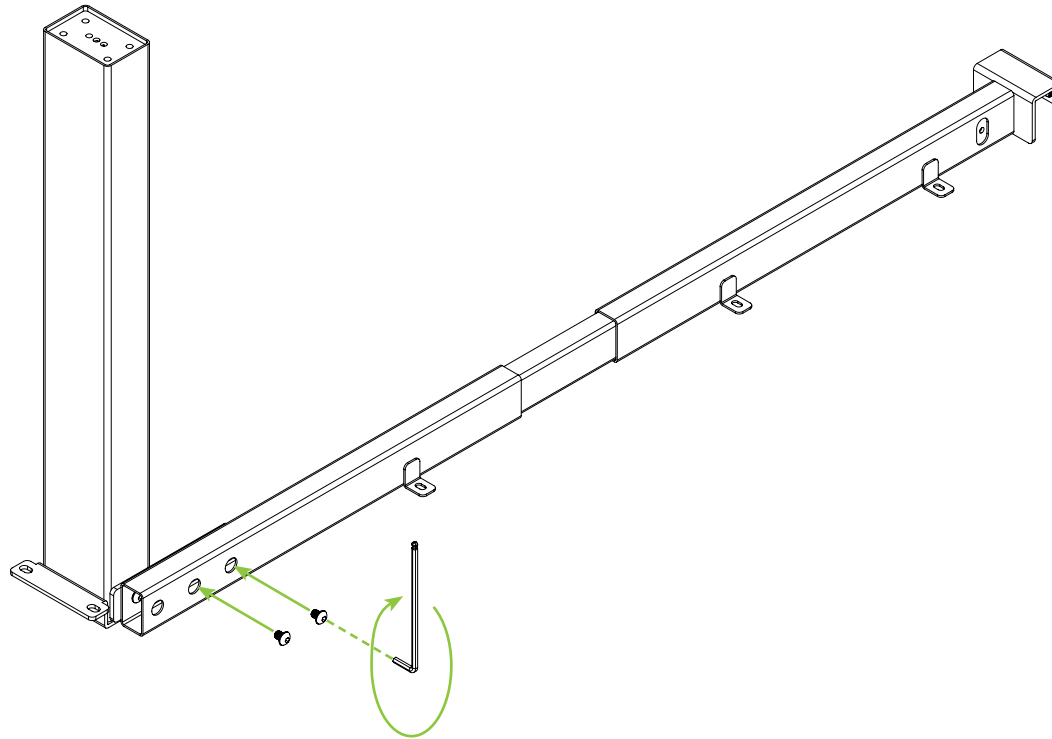
Agile

Installation Guide - Fixed Height Right Hand Return For Single Desk (90° workstation)

Step 1



2 x M8x10



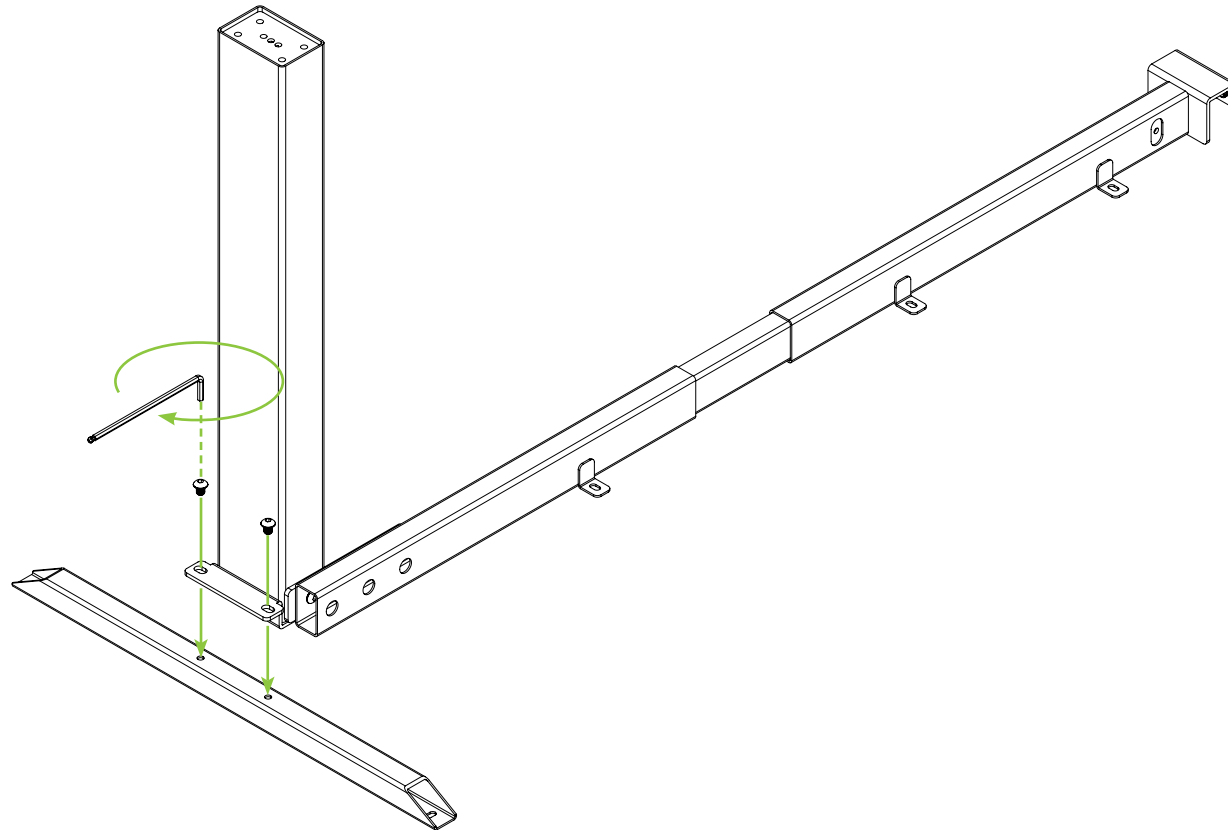
Agile

Installation Guide - Fixed Height Right Hand Return For Single Desk (90° workstation)

Step 2



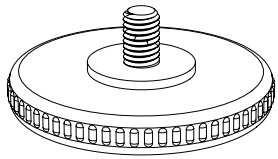
2 x M8x10



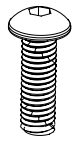
Agile

Installation Guide - Fixed Height Right Hand Return For Single Desk (90° workstation)

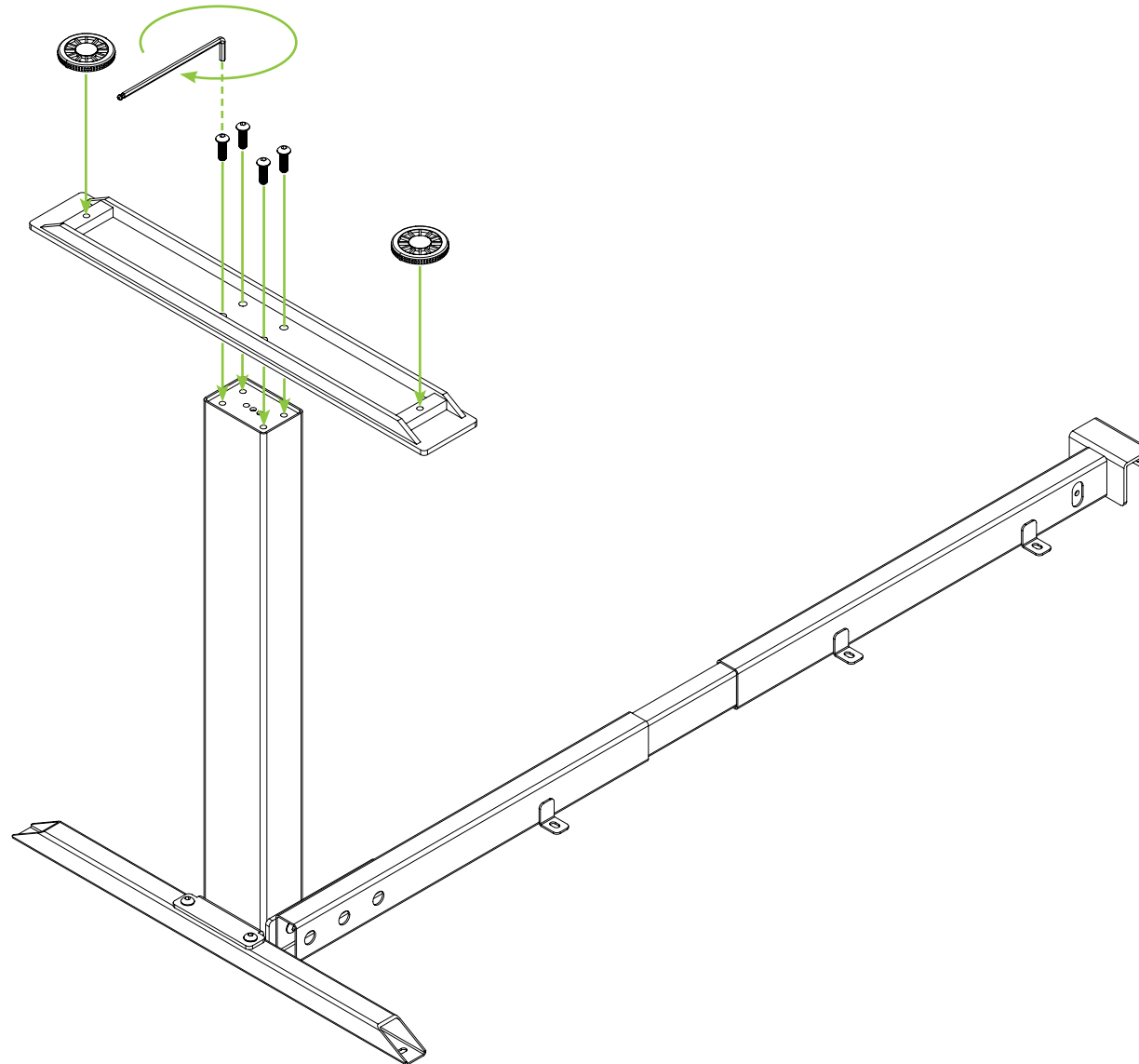
Step 3



2 x Levelling Foot



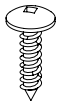
4 x M8x25



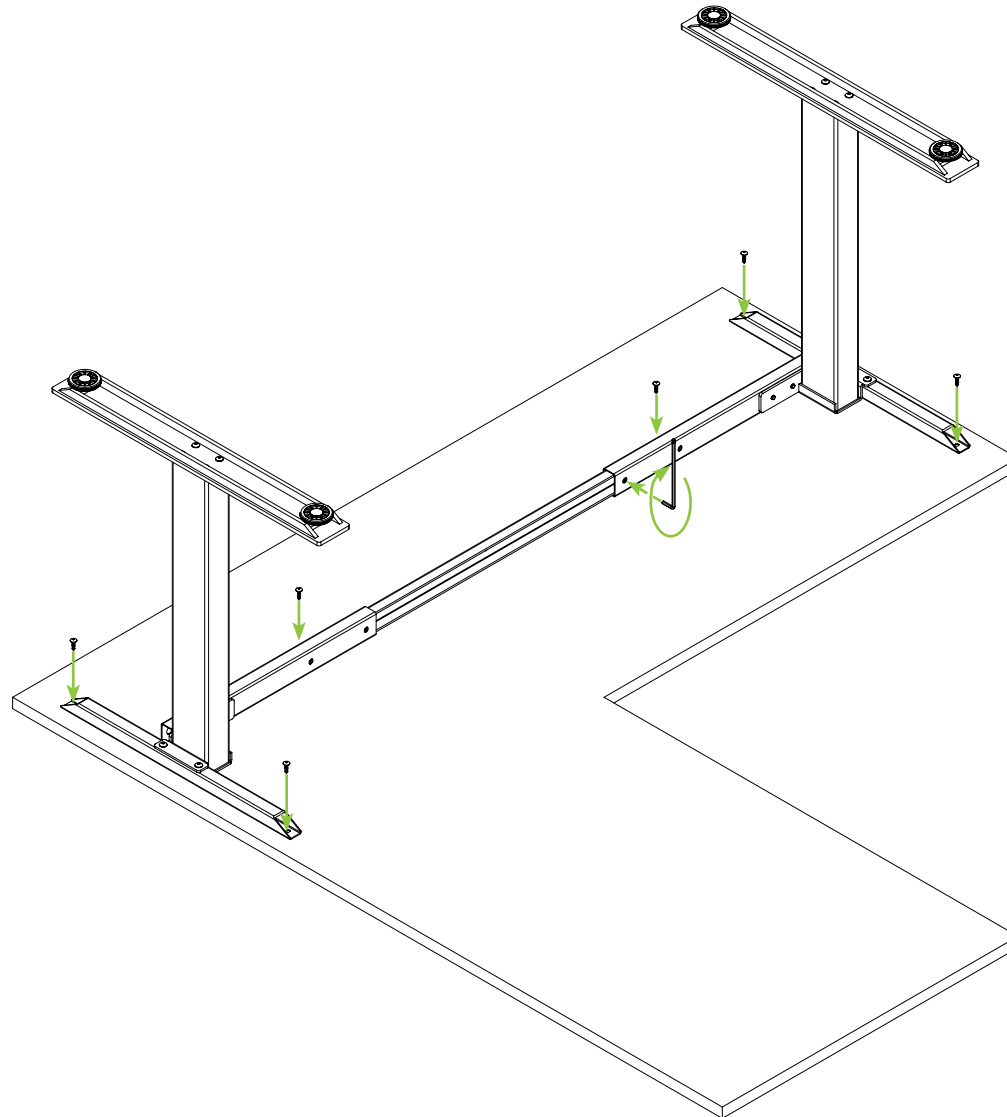
Agile

Installation Guide - Fixed Height Right Hand Return For Single Desk (90° workstation)

Step 4



6 x ST5x23



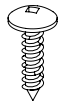
IMPORTANT!

REFER TO SINGLE-SIDED FIXED HEIGHT
DESK INSTALLATION GUIDE TO ASSEMBLE
DESK FRAME.

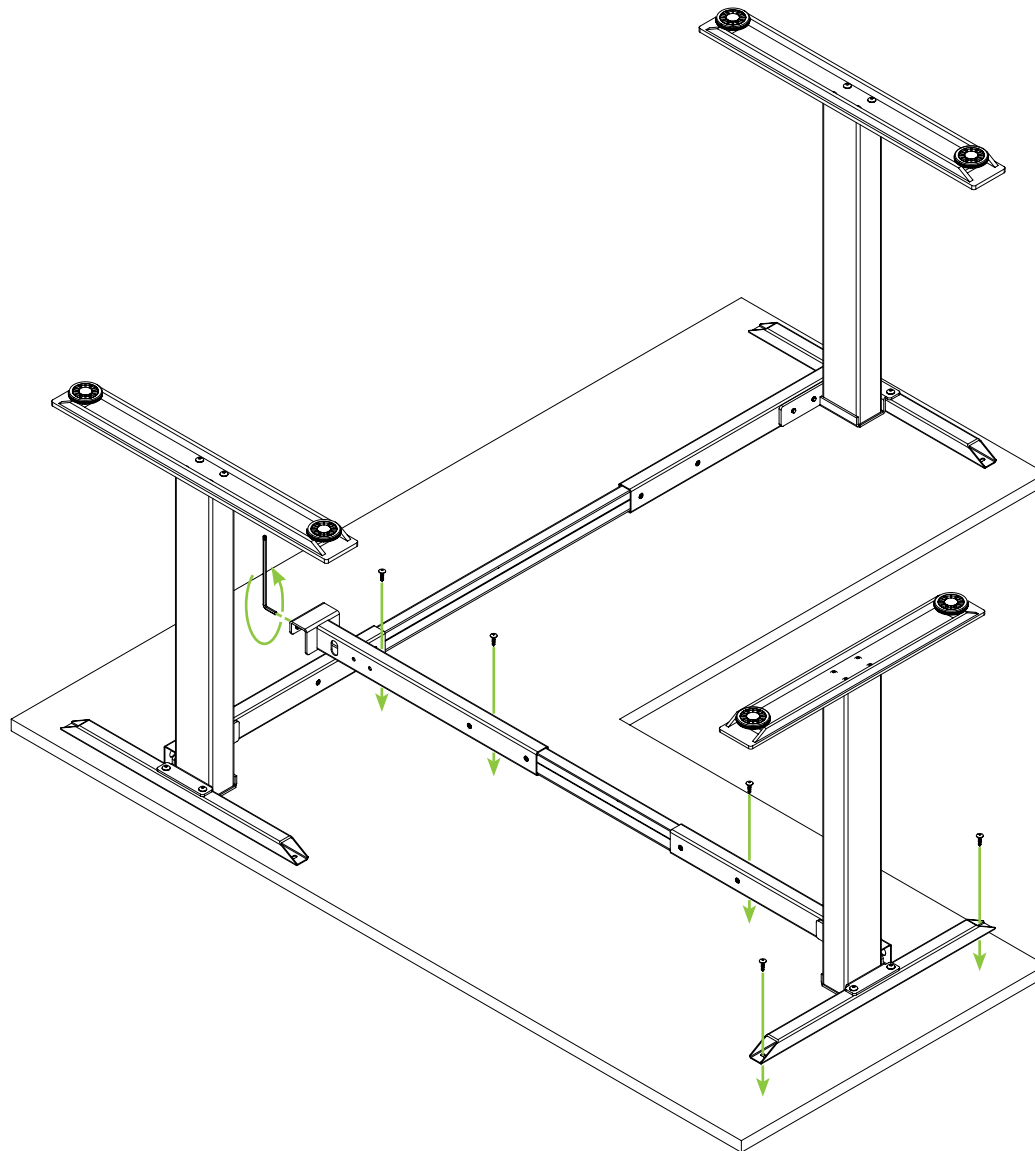
Agile

Installation Guide - Fixed Height Right Hand Return For Single Desk (90° workstation)

Step 5



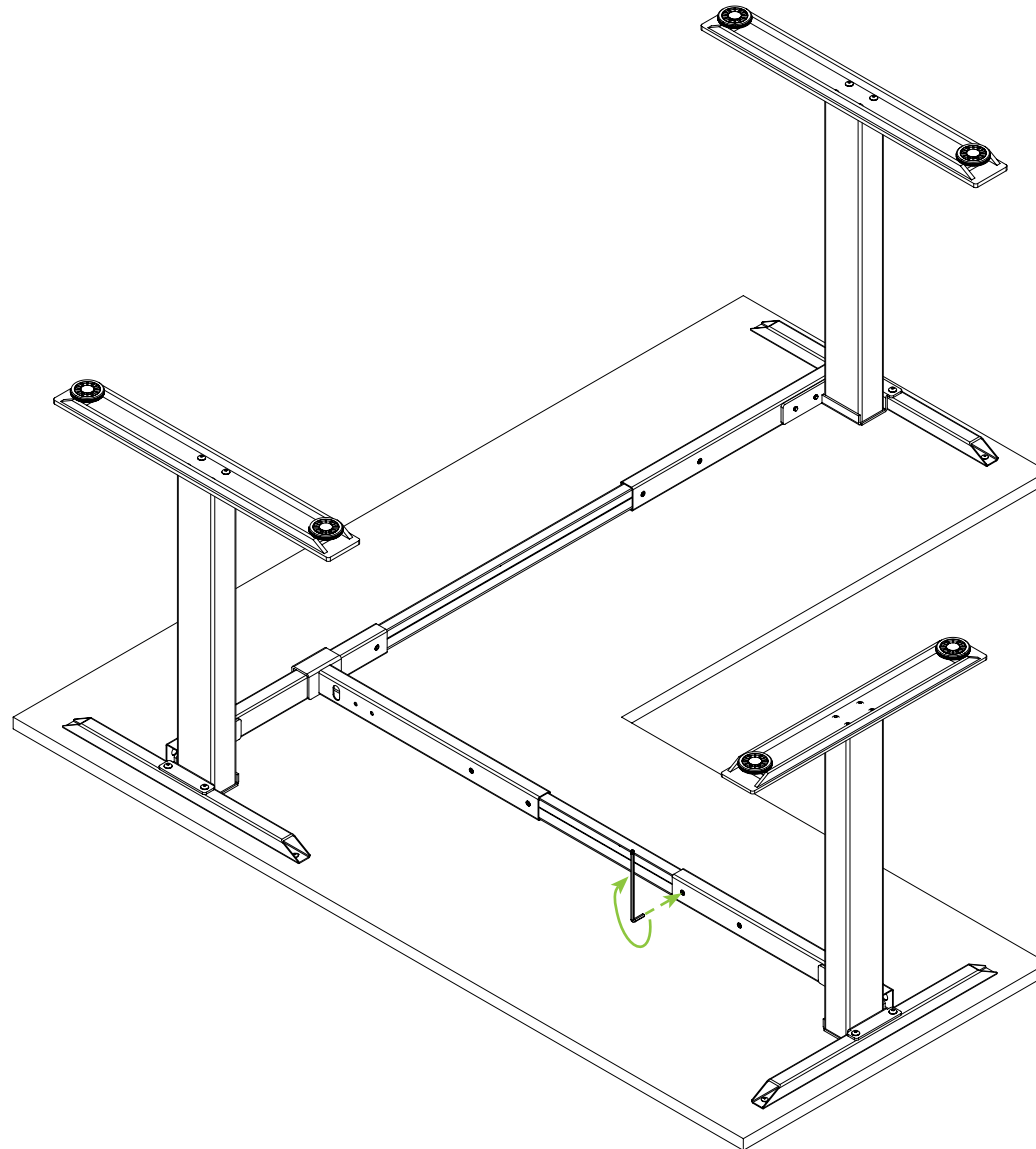
5 x ST5x23



Agile

Installation Guide - Fixed Height Right Hand Return For Single Desk (90° workstation)

Step 6



Agile

Installation Guide - Fixed Height Right Hand Return For Single Desk (90° workstation)

Completed

