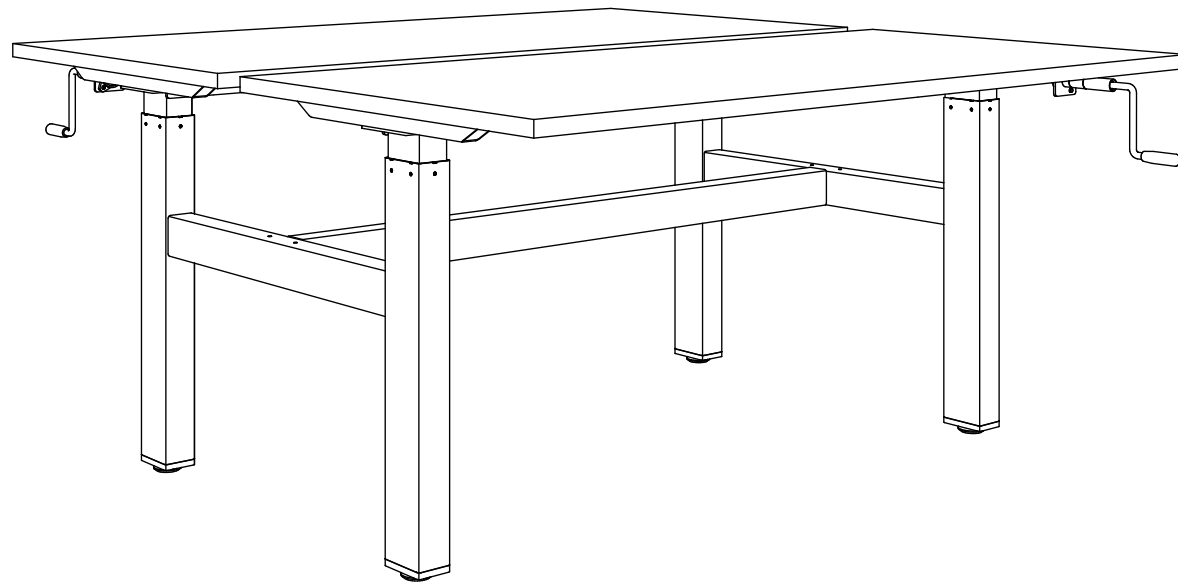
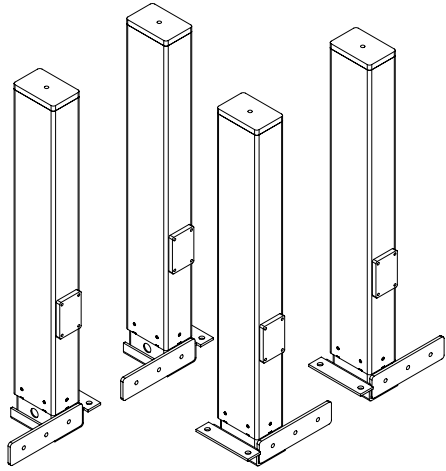


Agile

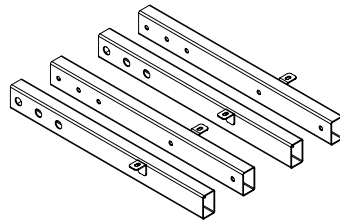
Installation Guide - Winder 2 Column



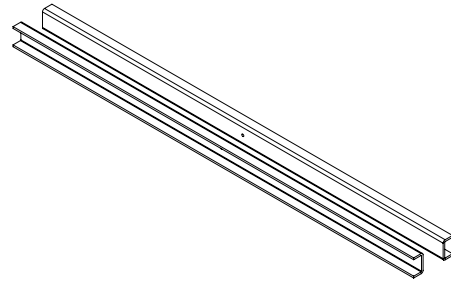
Parts:



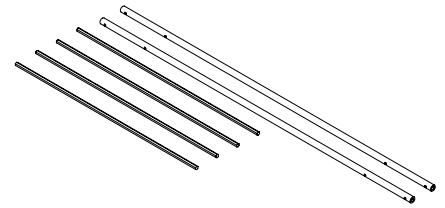
2 x L&R Leg Pair



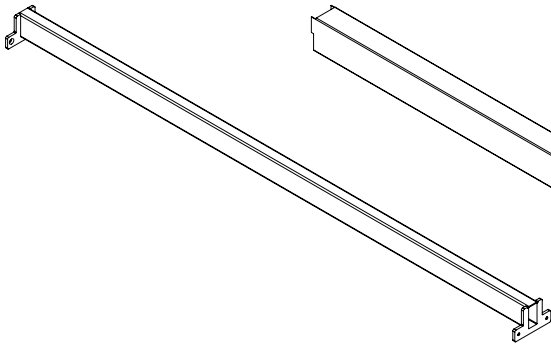
2 x L&R Leg Rail Pair



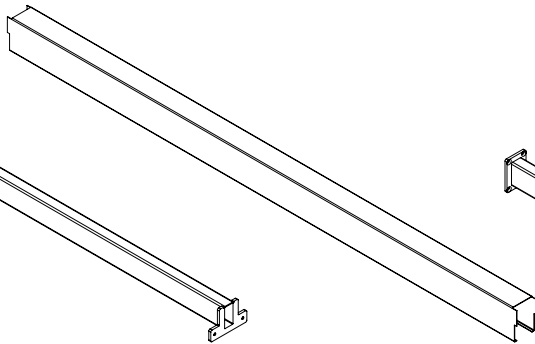
2 x Cross Rail



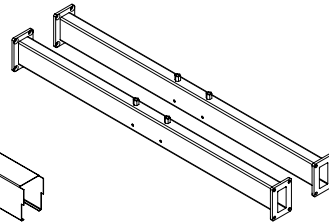
2 x Drive Shaft



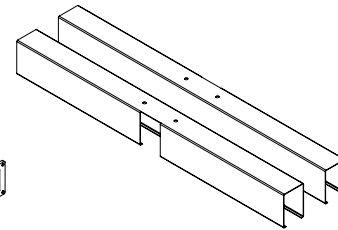
1 x Cross Beam



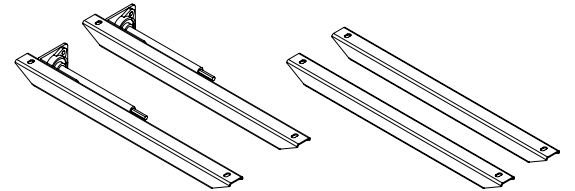
1 x Cross Beam Cover



2 x Leg Beam

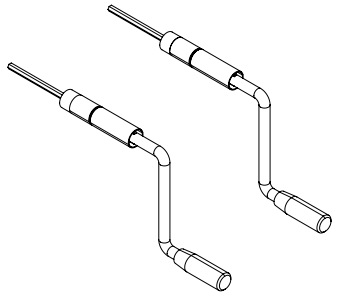


2 x Leg Beam Cover

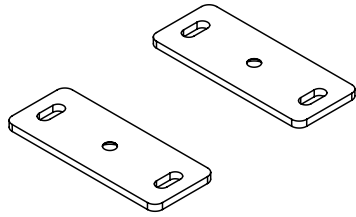


2 x L&R Support Bar Pair

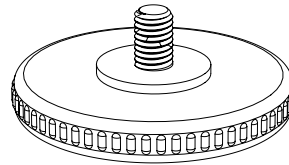
Parts:



2 x Winder



2 x Screen Bracket



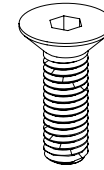
4 x Levelling Foot



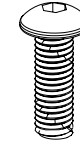
16 x M8x10



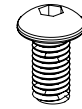
20 x ST5.0x23



2 x M8x20



4 x M5x15

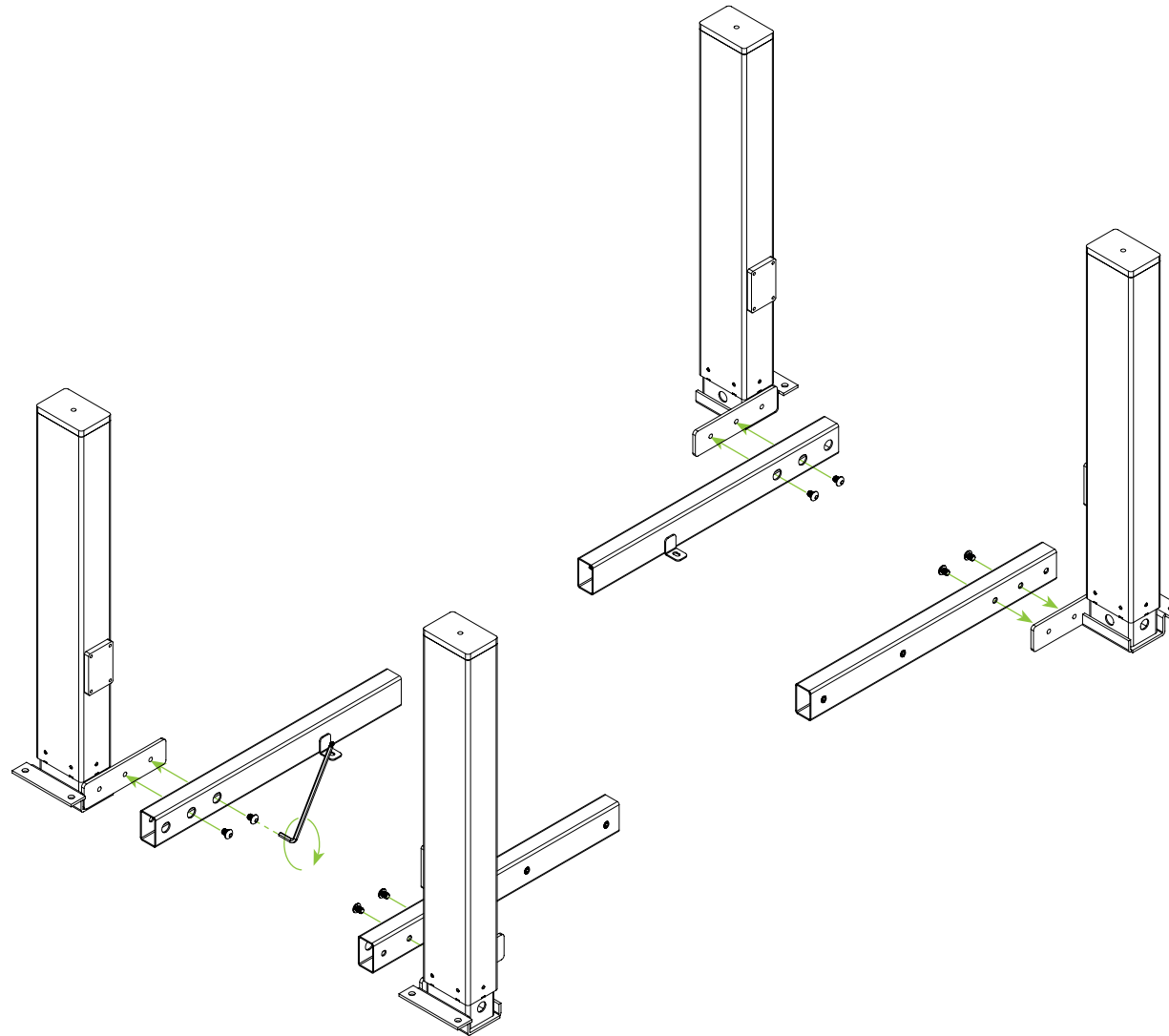


20 x M5x10

Step 1



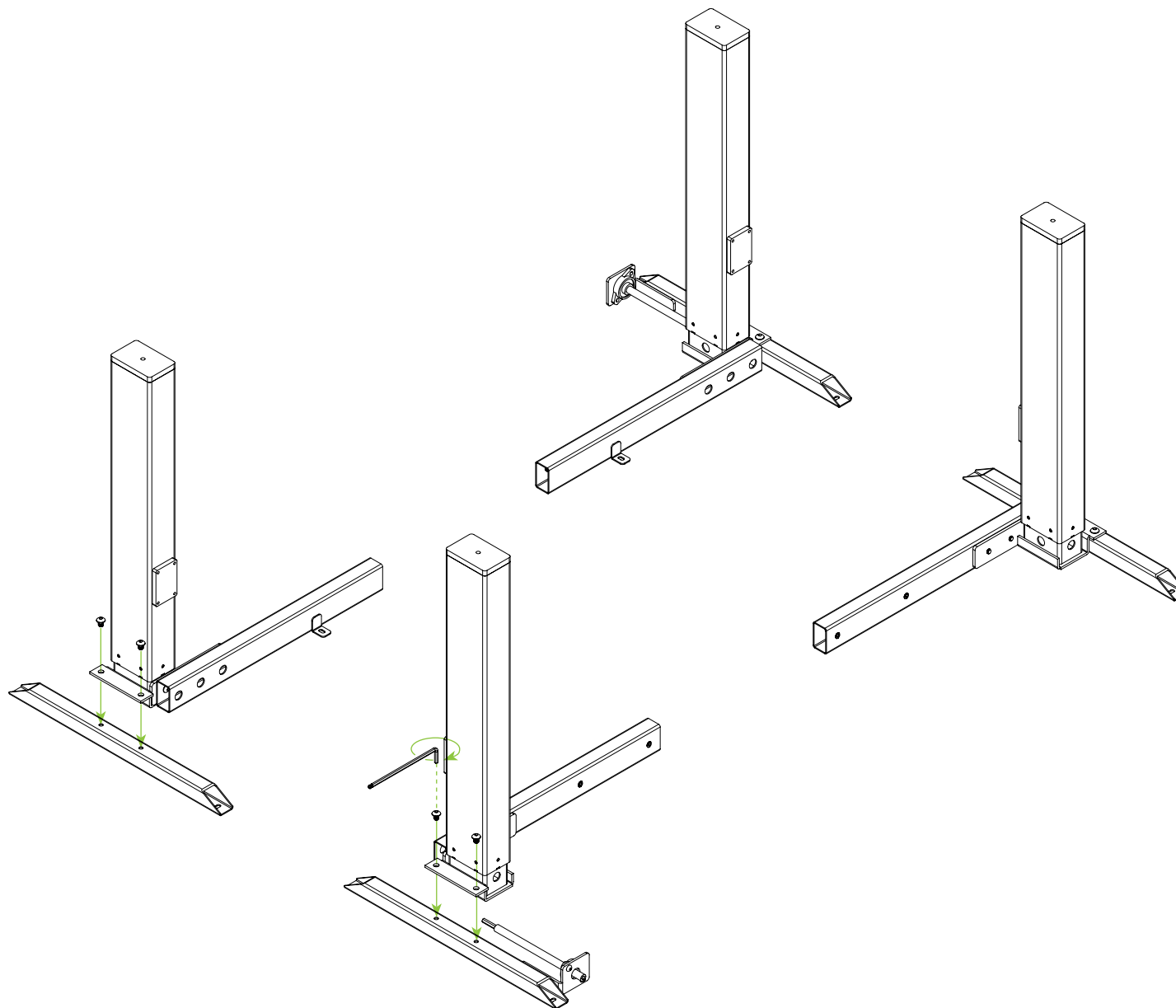
8 x M8x10



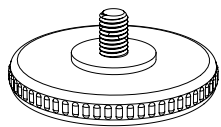
Step 2



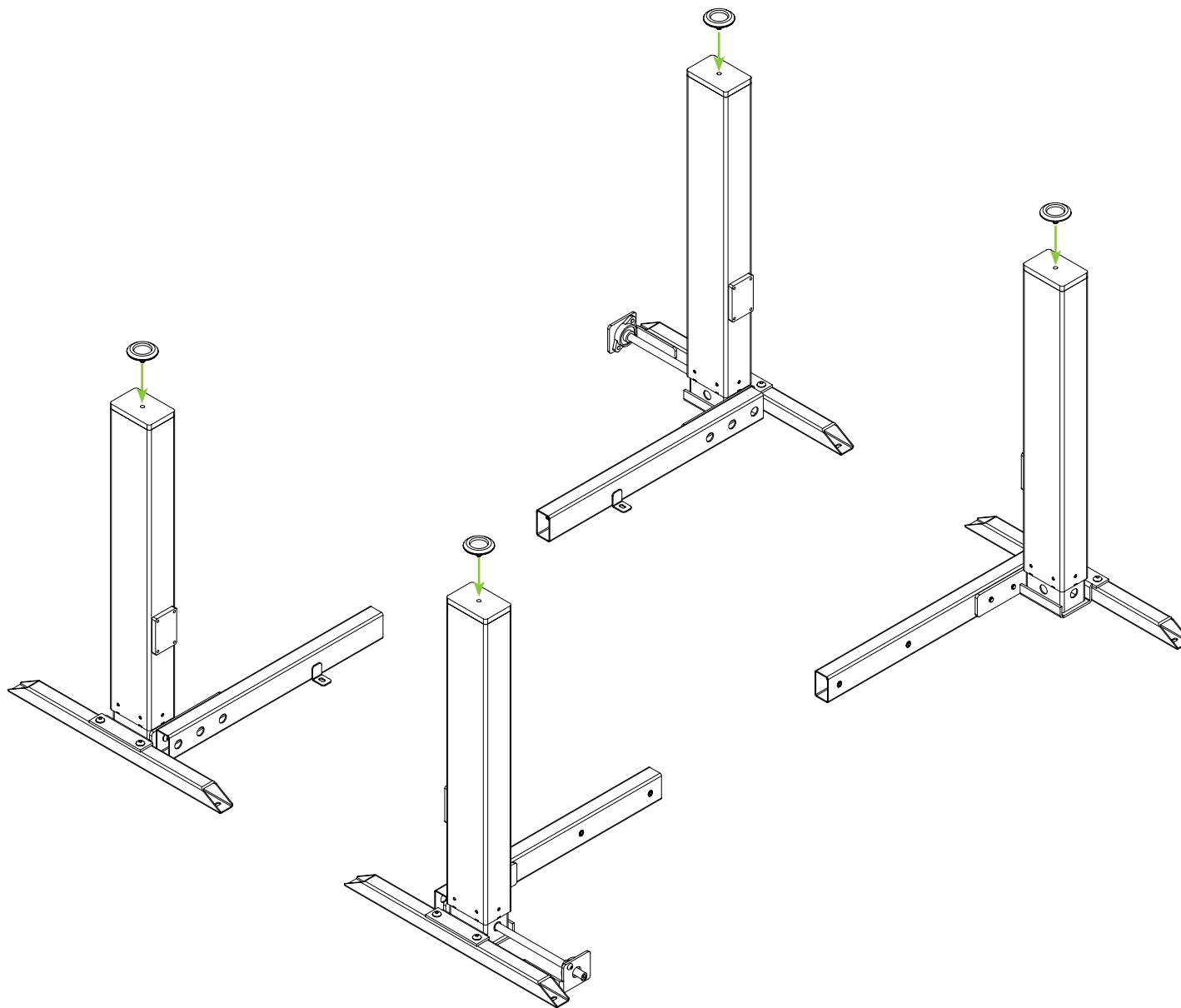
8 x M8x10



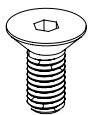
Step 3



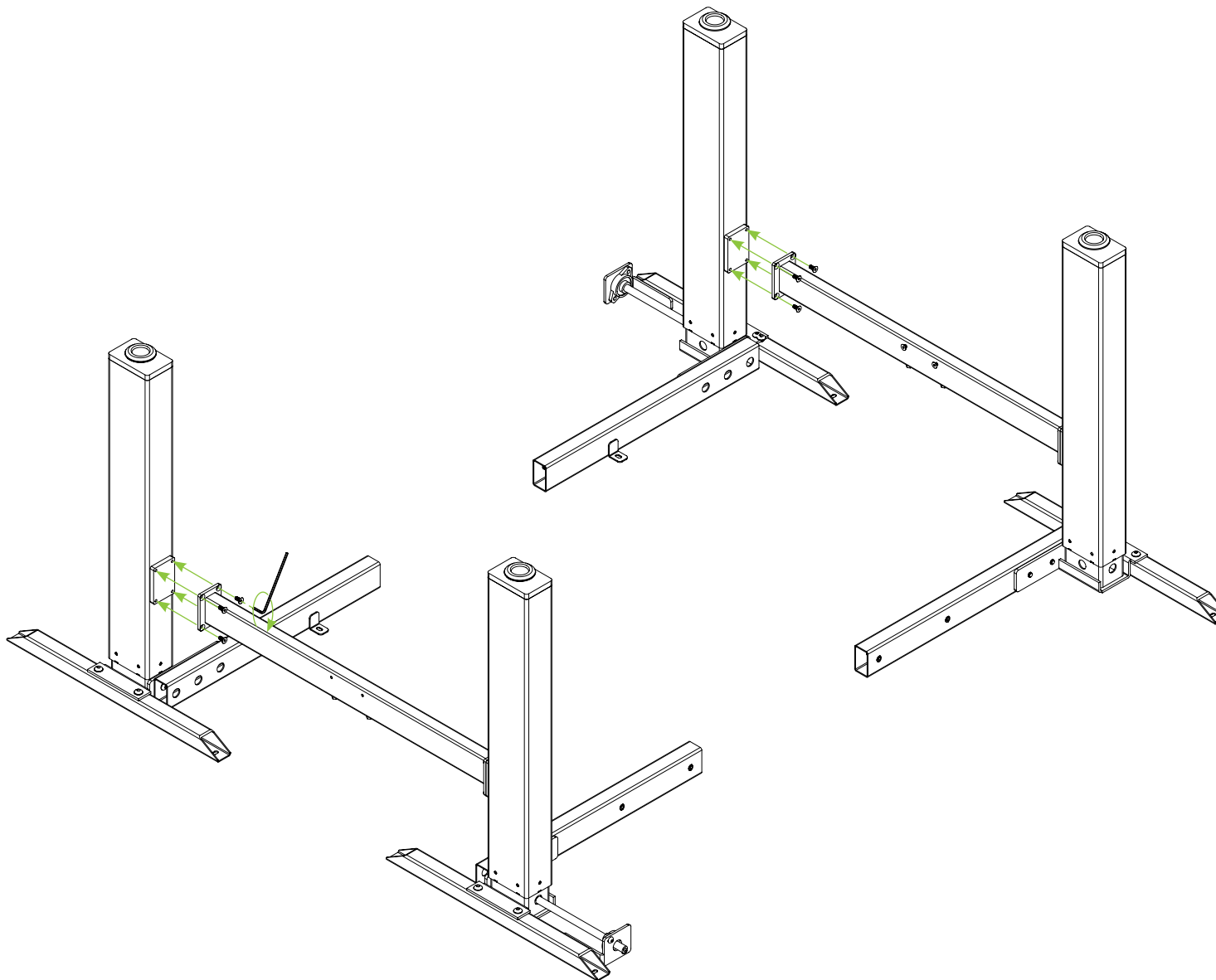
4 x Levelling Foot



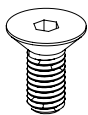
Step 4



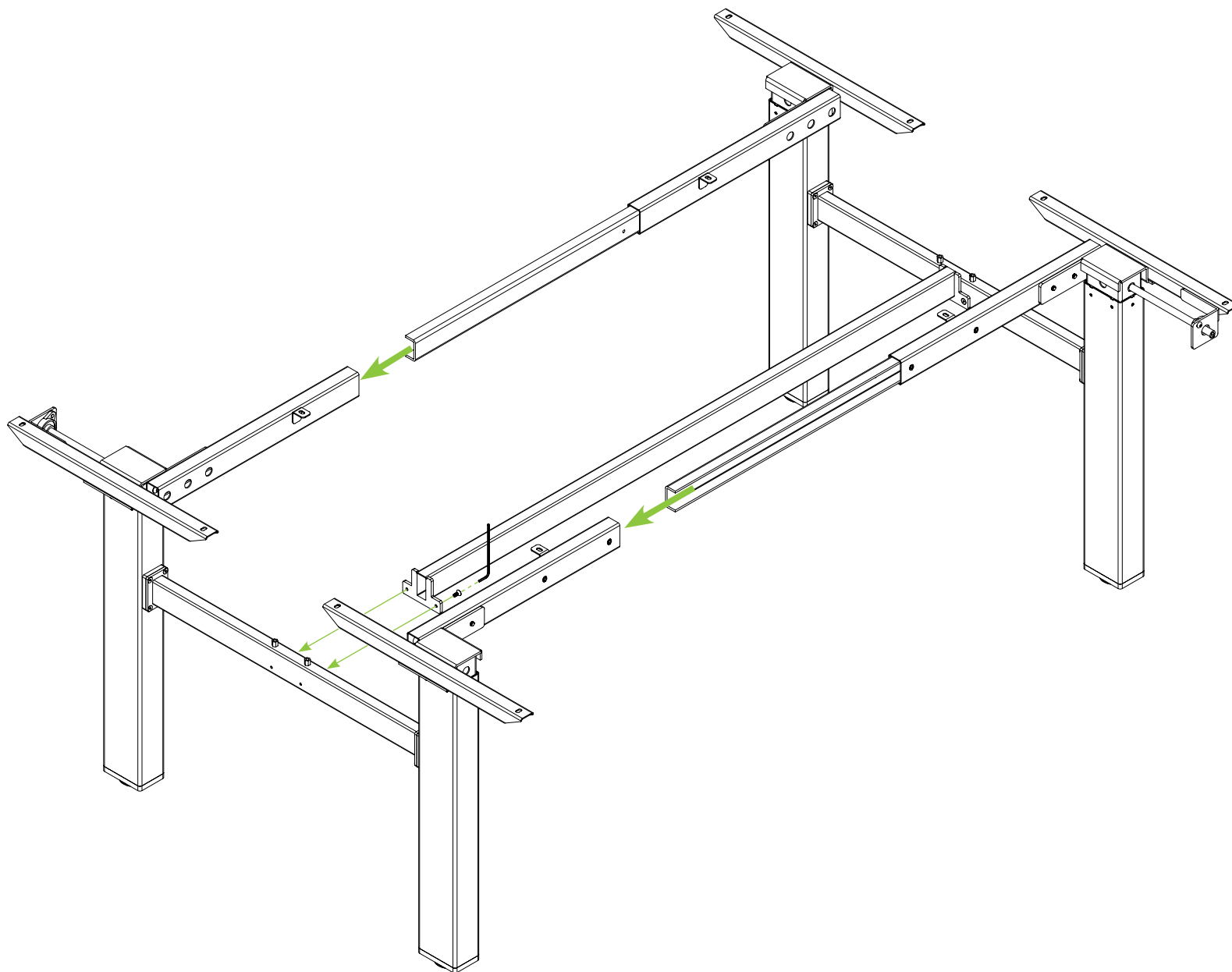
16 x M5x10



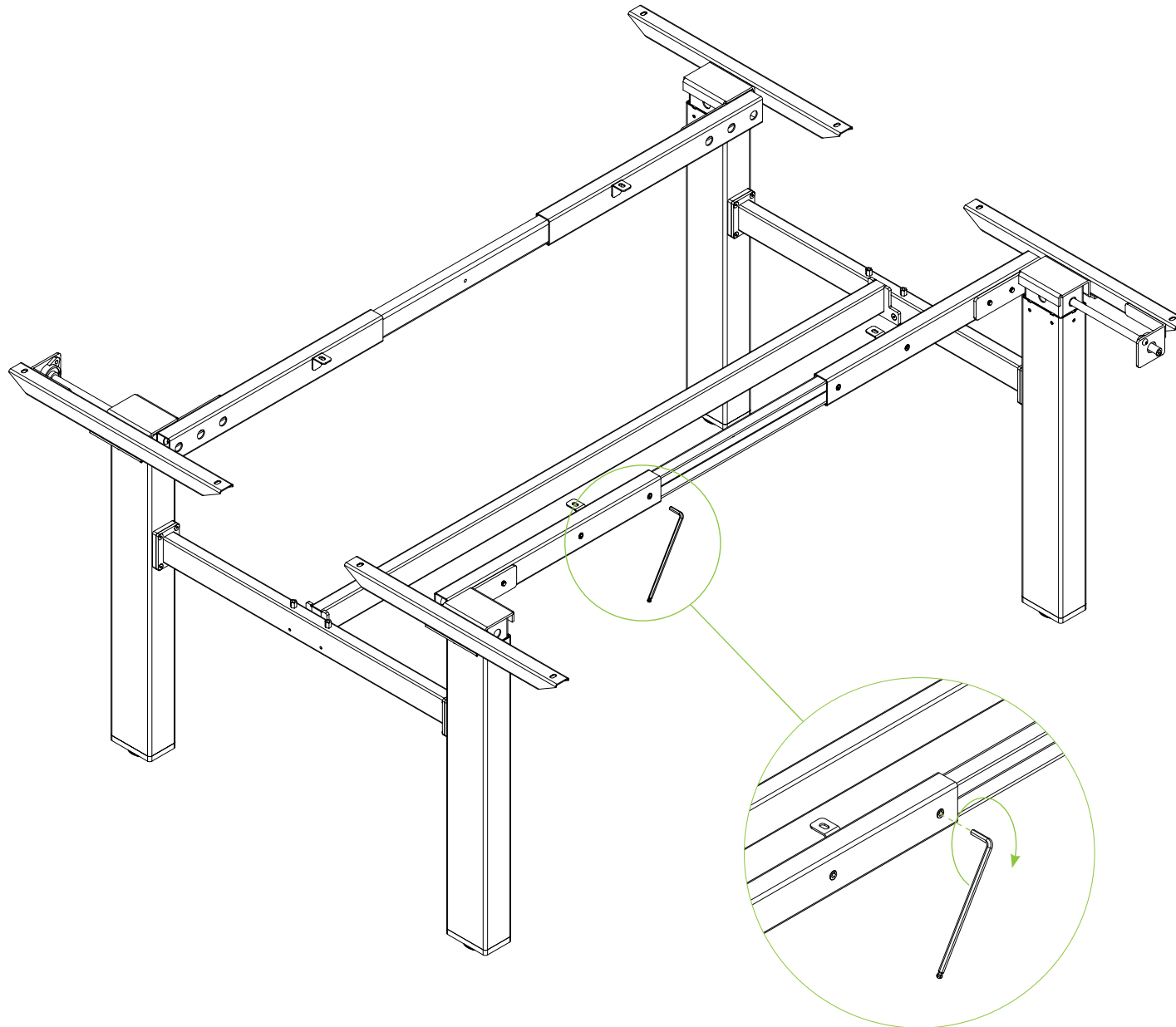
Step 5



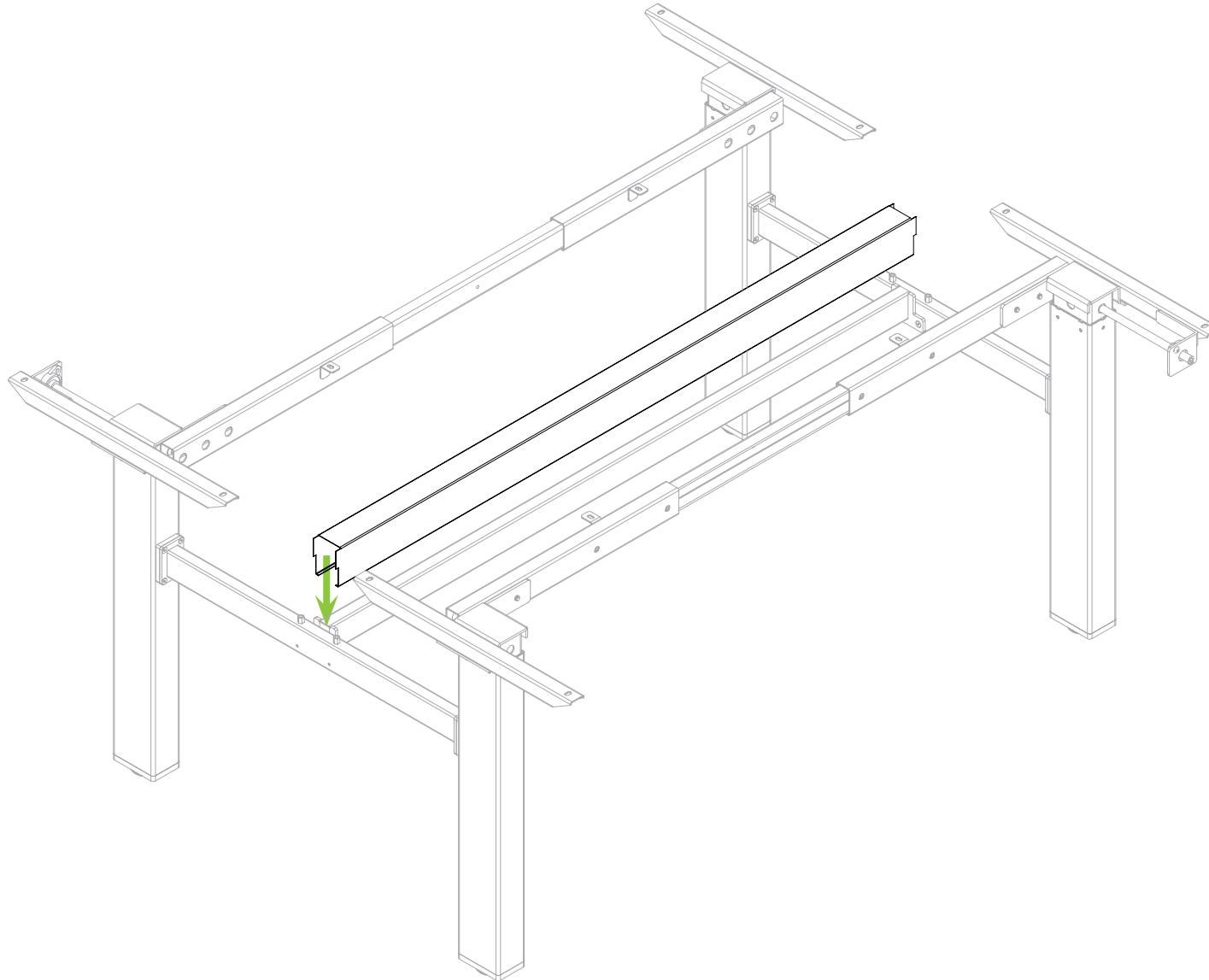
4 x M5x10



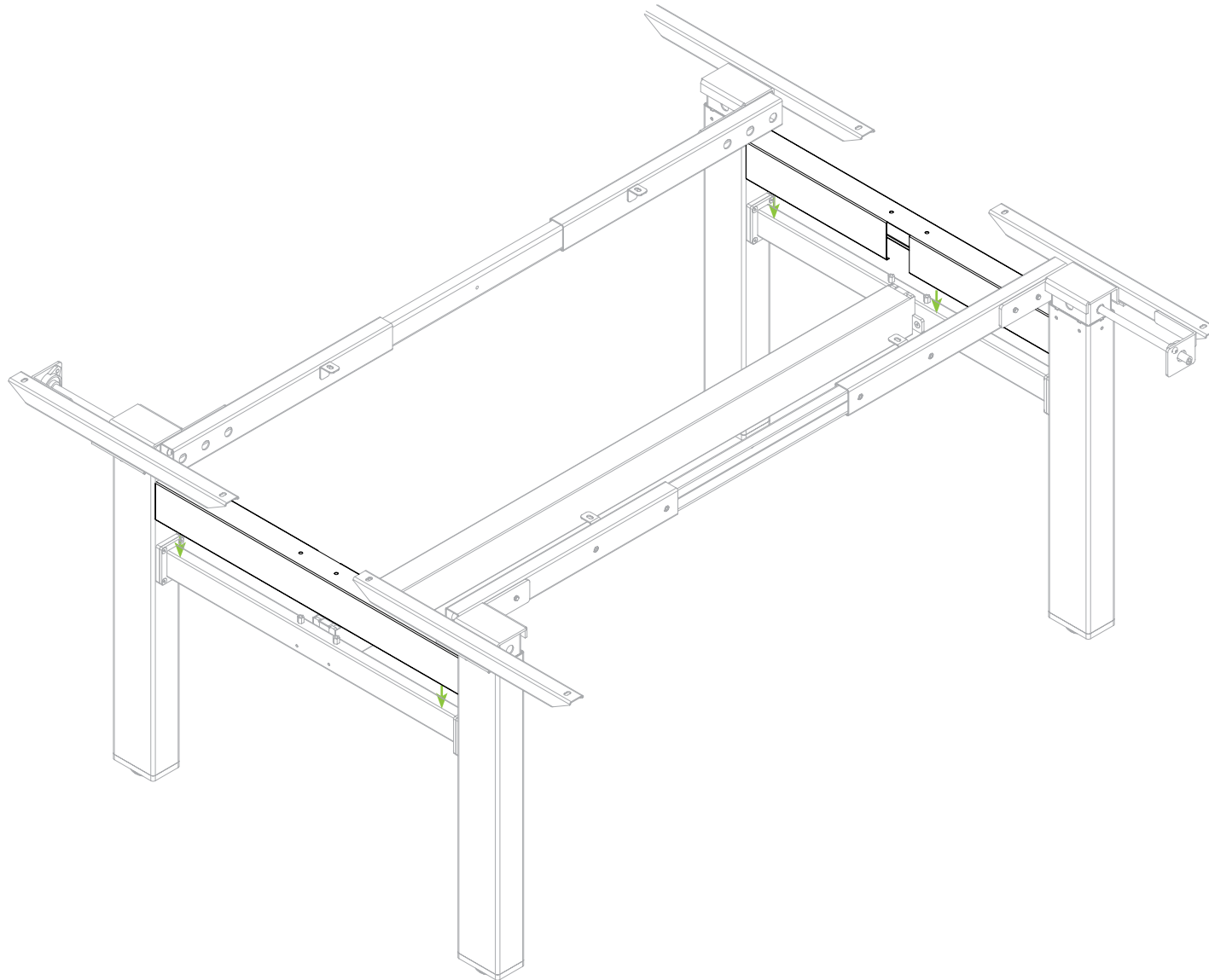
Step 6



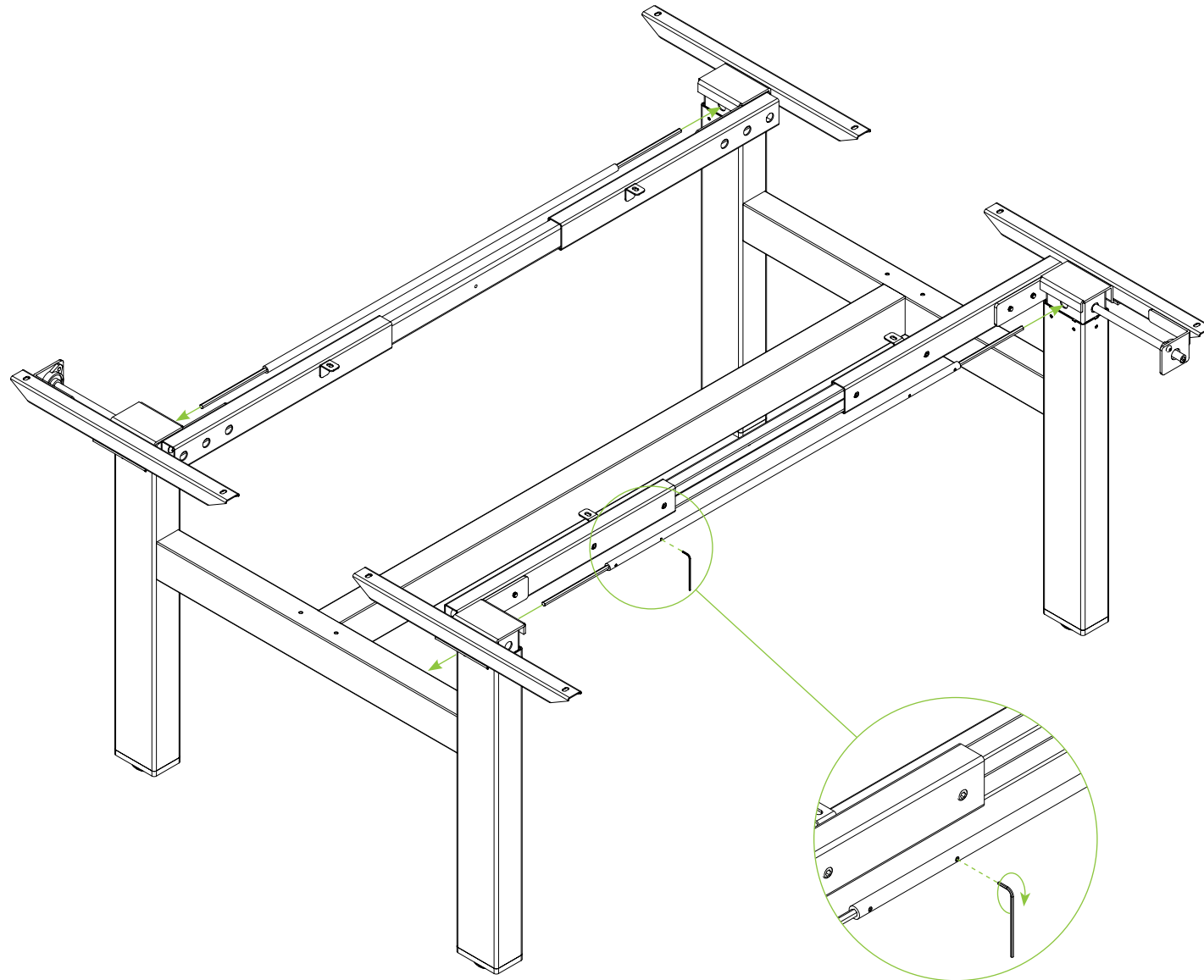
Step 7



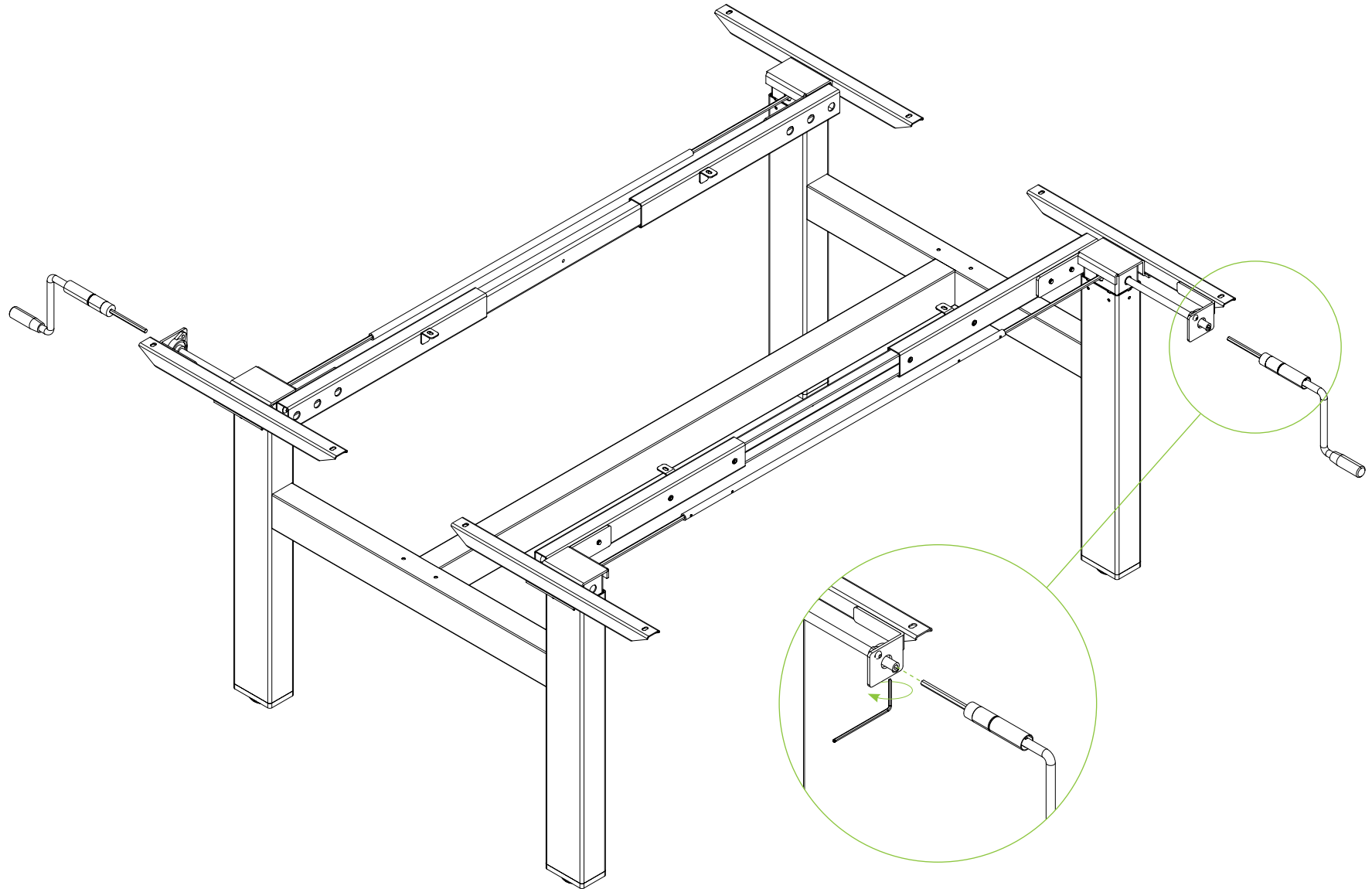
Step 8



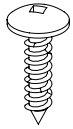
Step 9



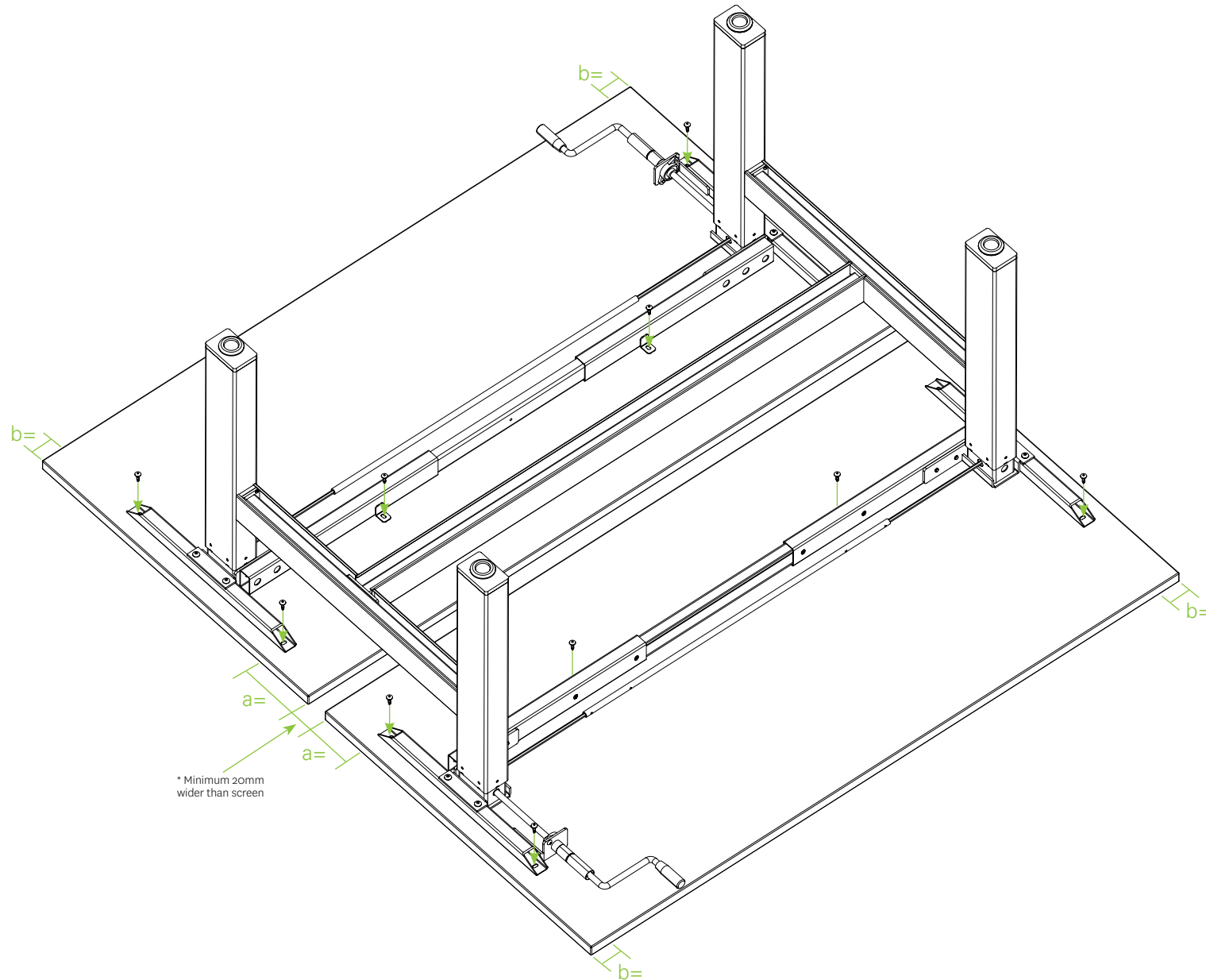
Step 10



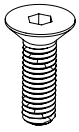
Step 11



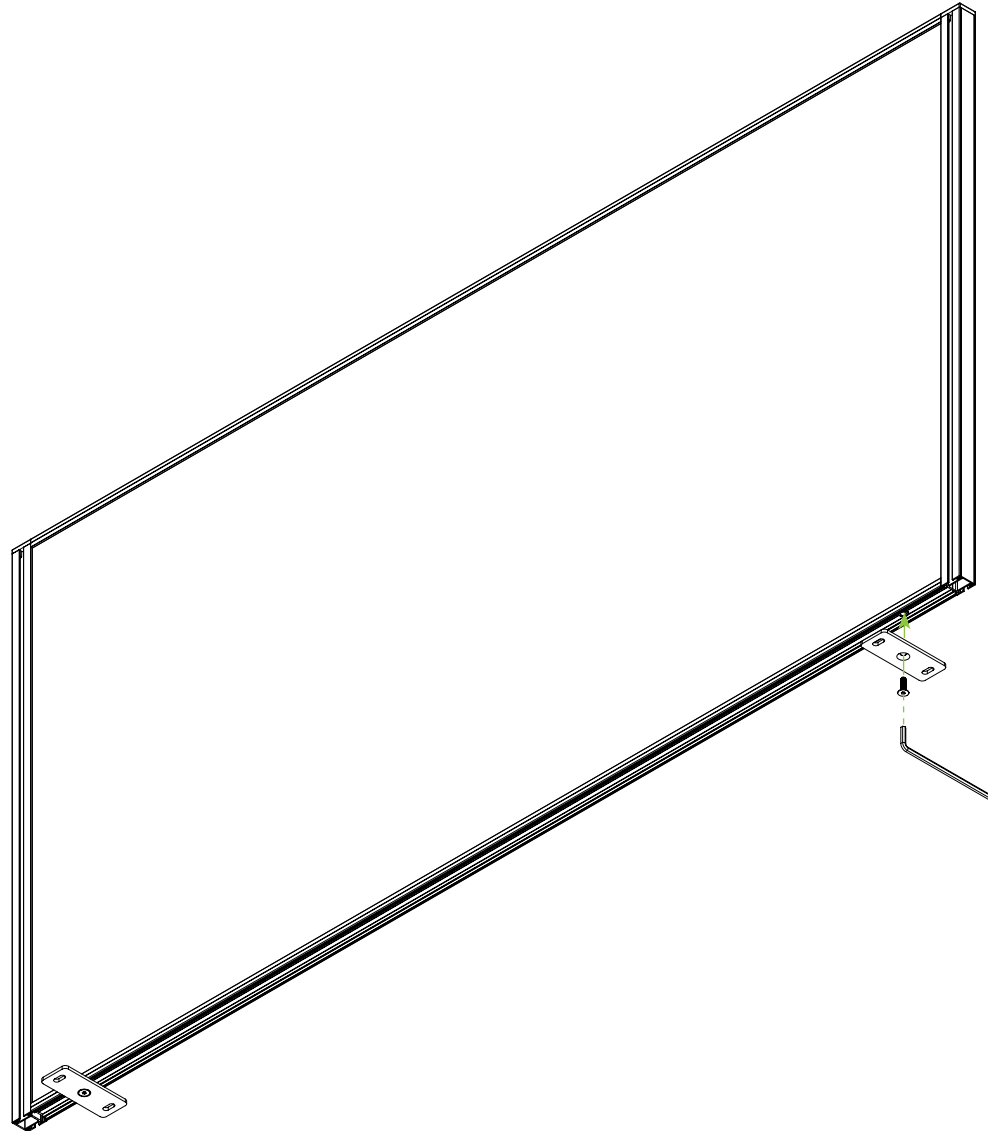
12 x ST5.0x23



Step 12

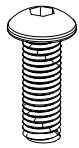


2 x M8x20

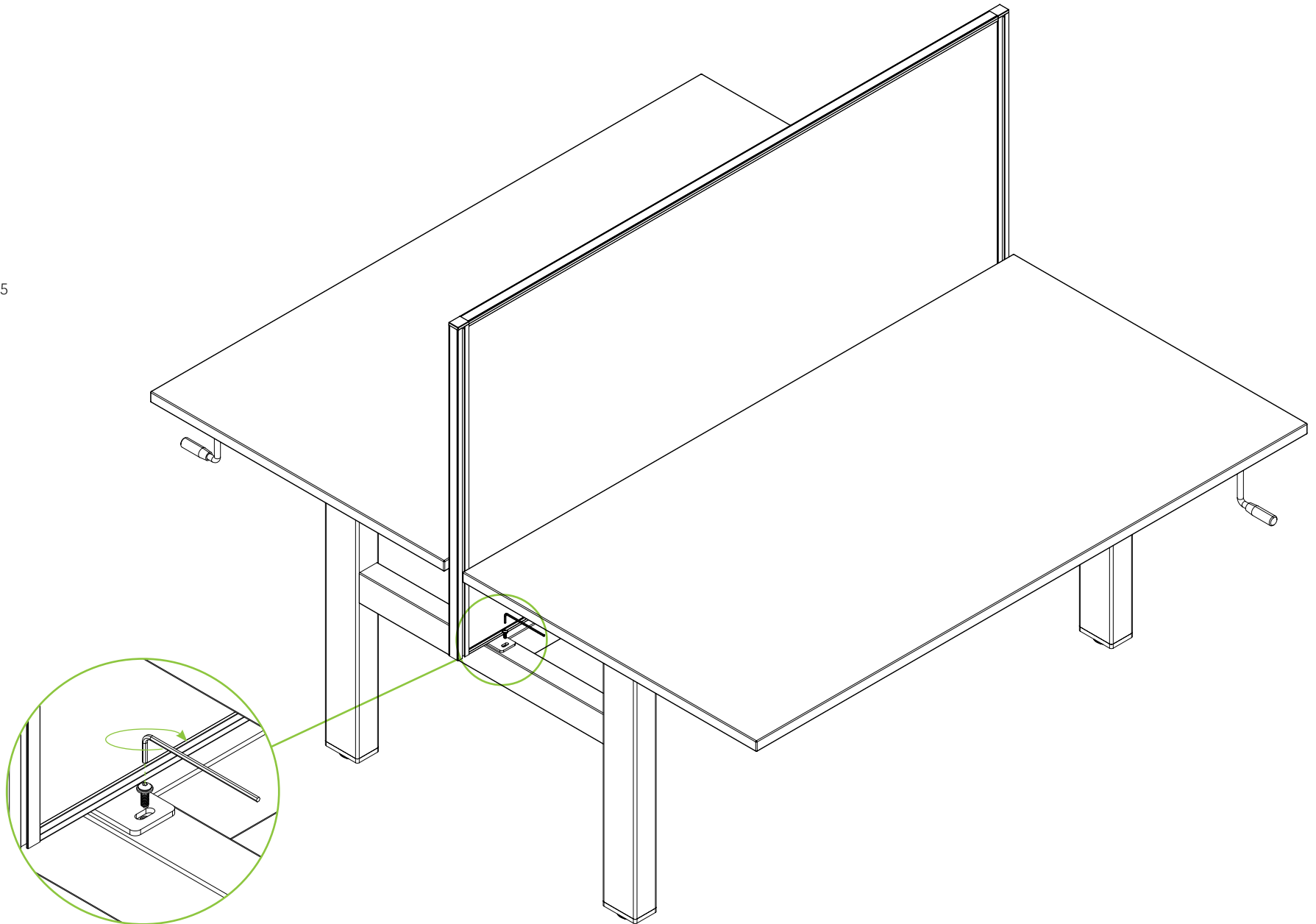


Studio50
Screens are
Australian
Made.

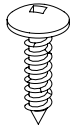
Step 13



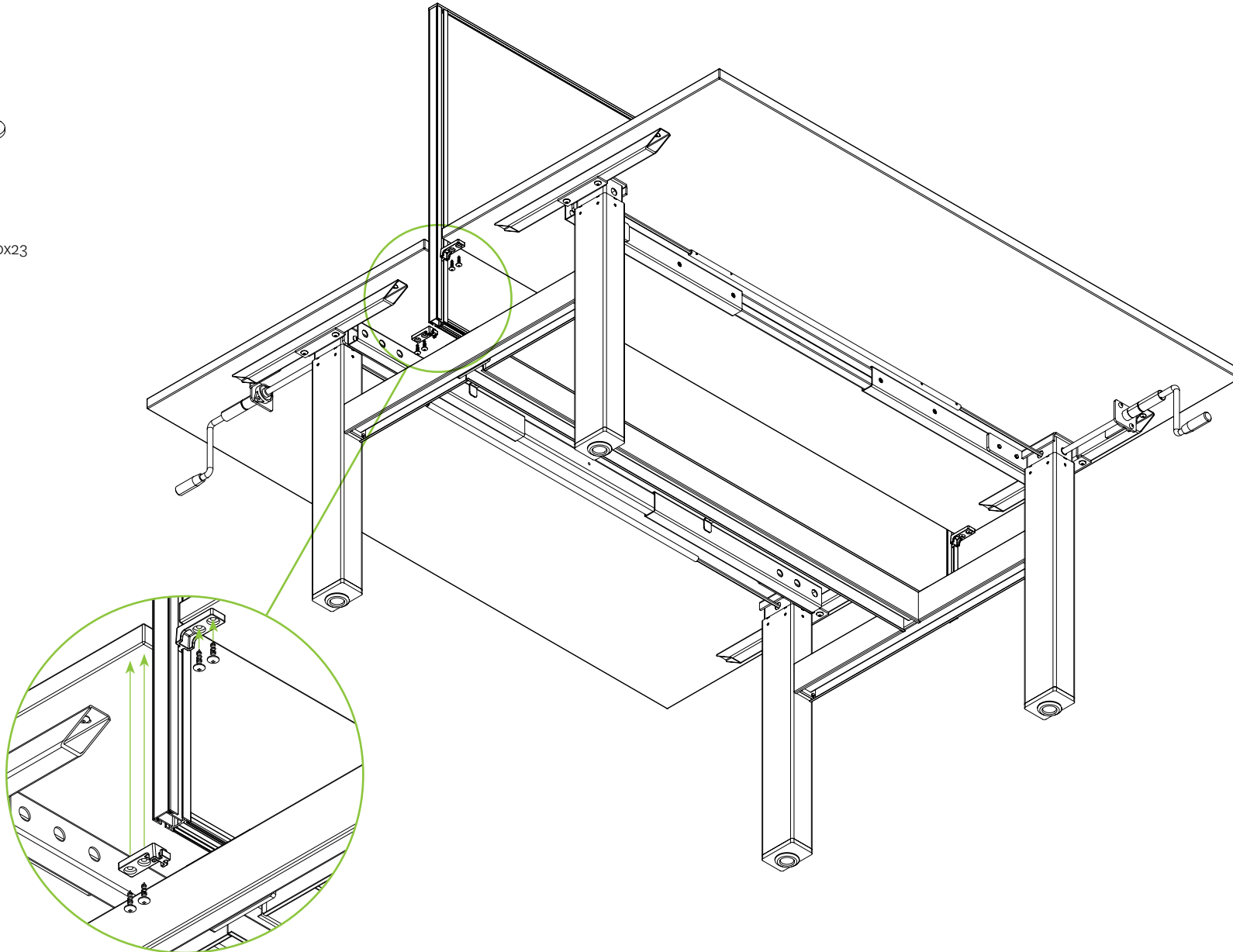
4 x M5x15



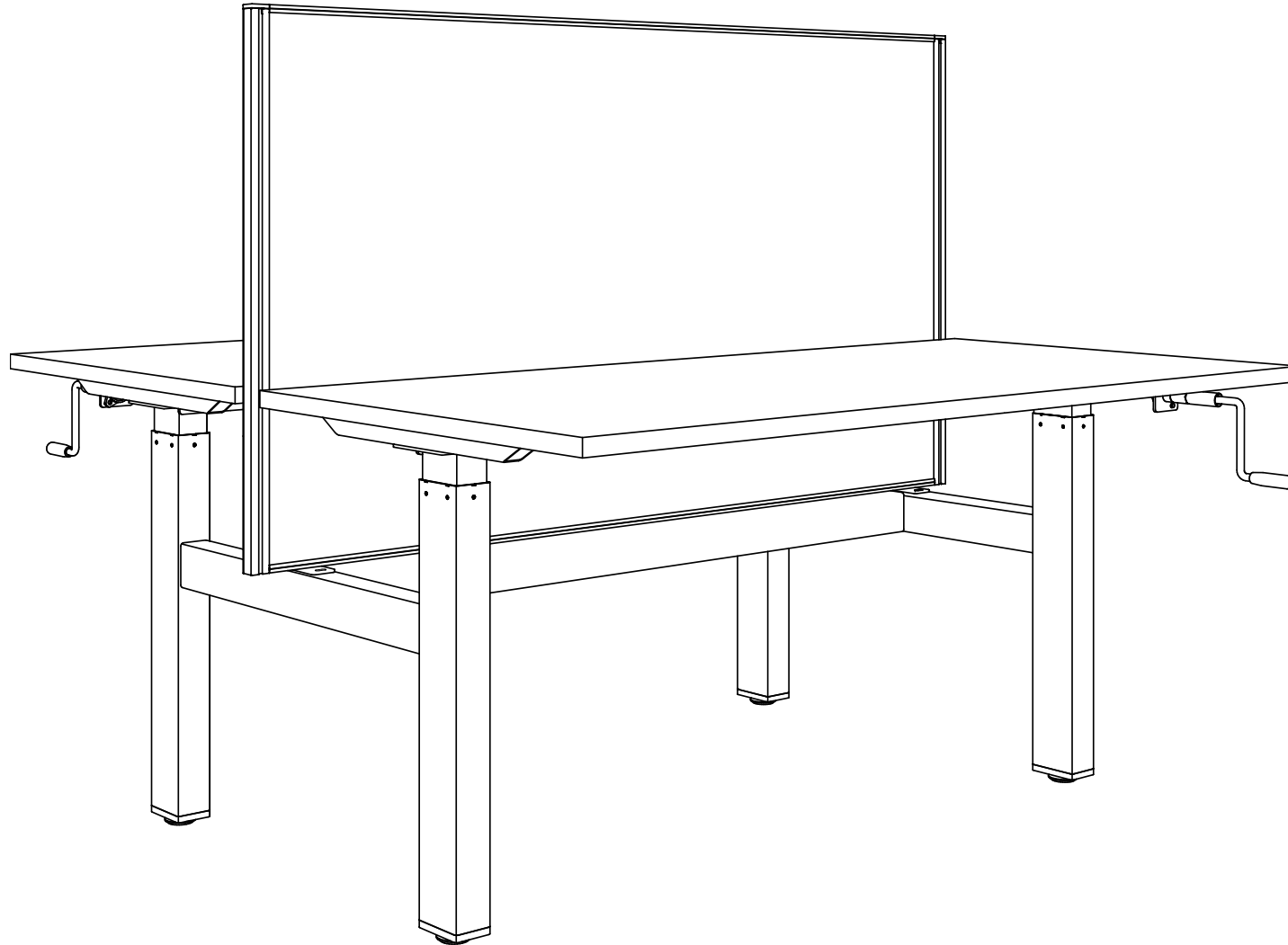
Step 14



8 x ST5.0x23

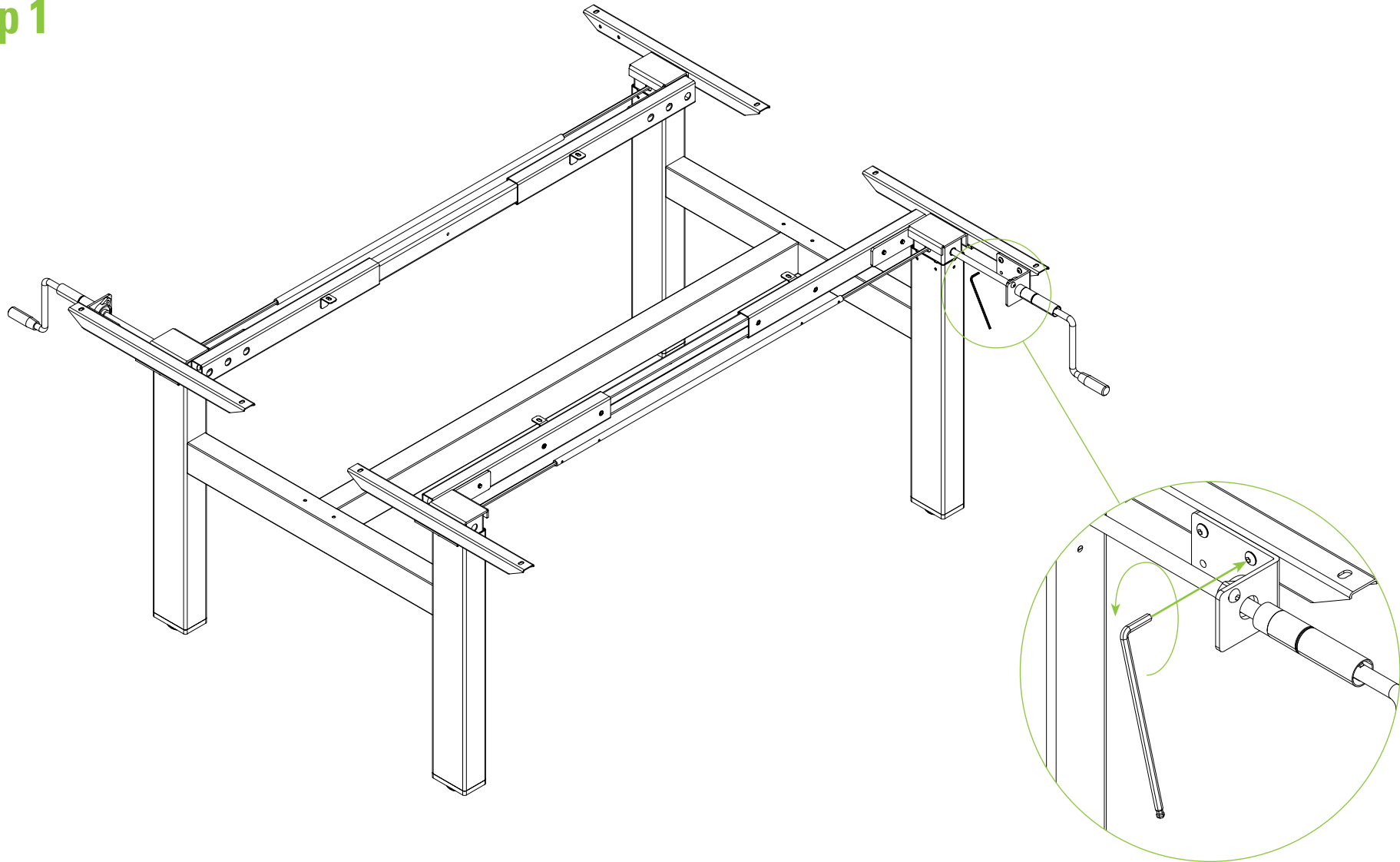


Completed



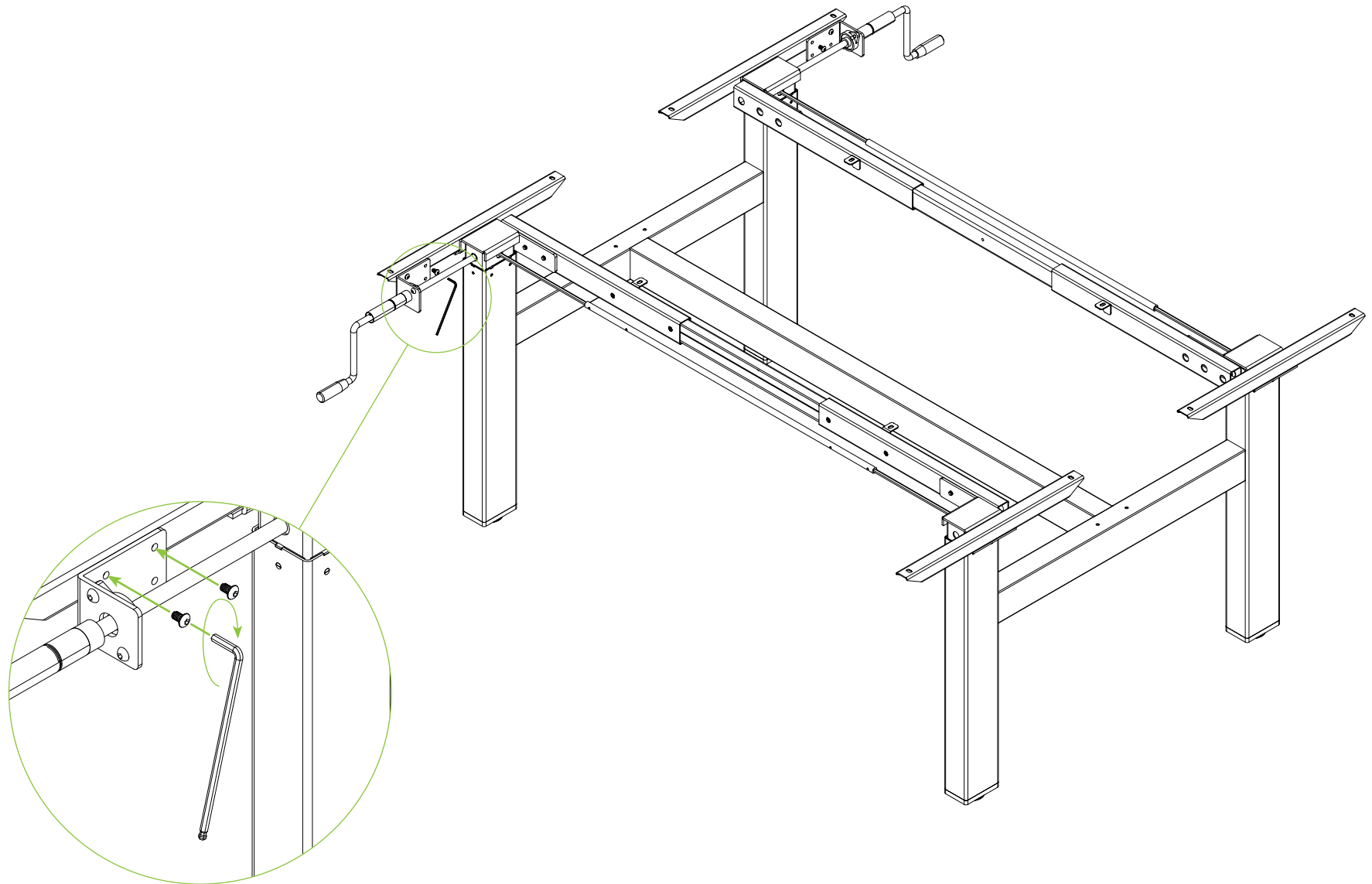
Changing crank handle from right to left operation

Step 1



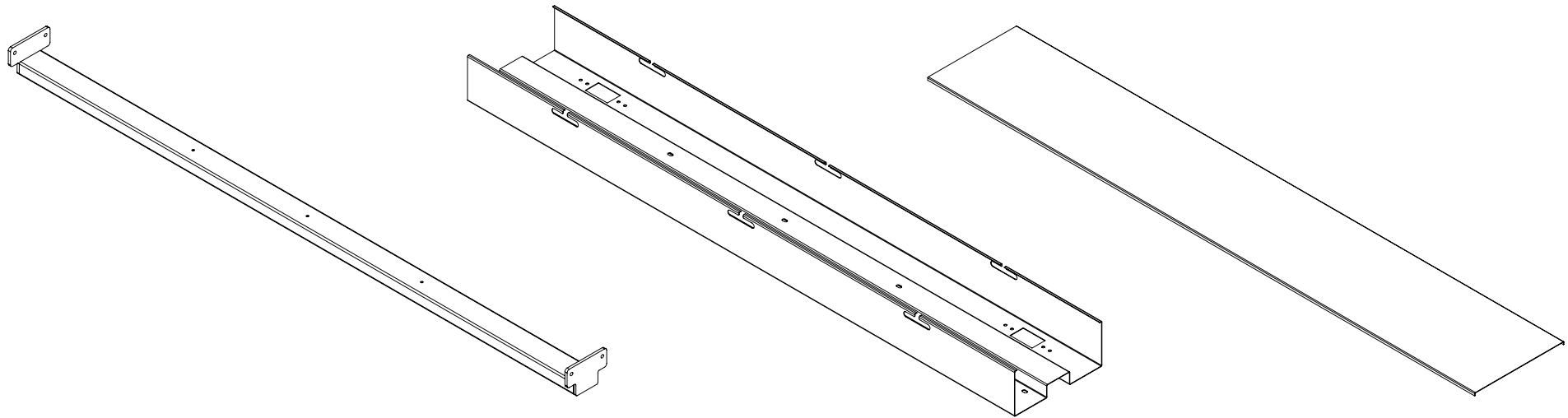
Changing crank handle from right to left operation

Step 2



Optional Cable Tray

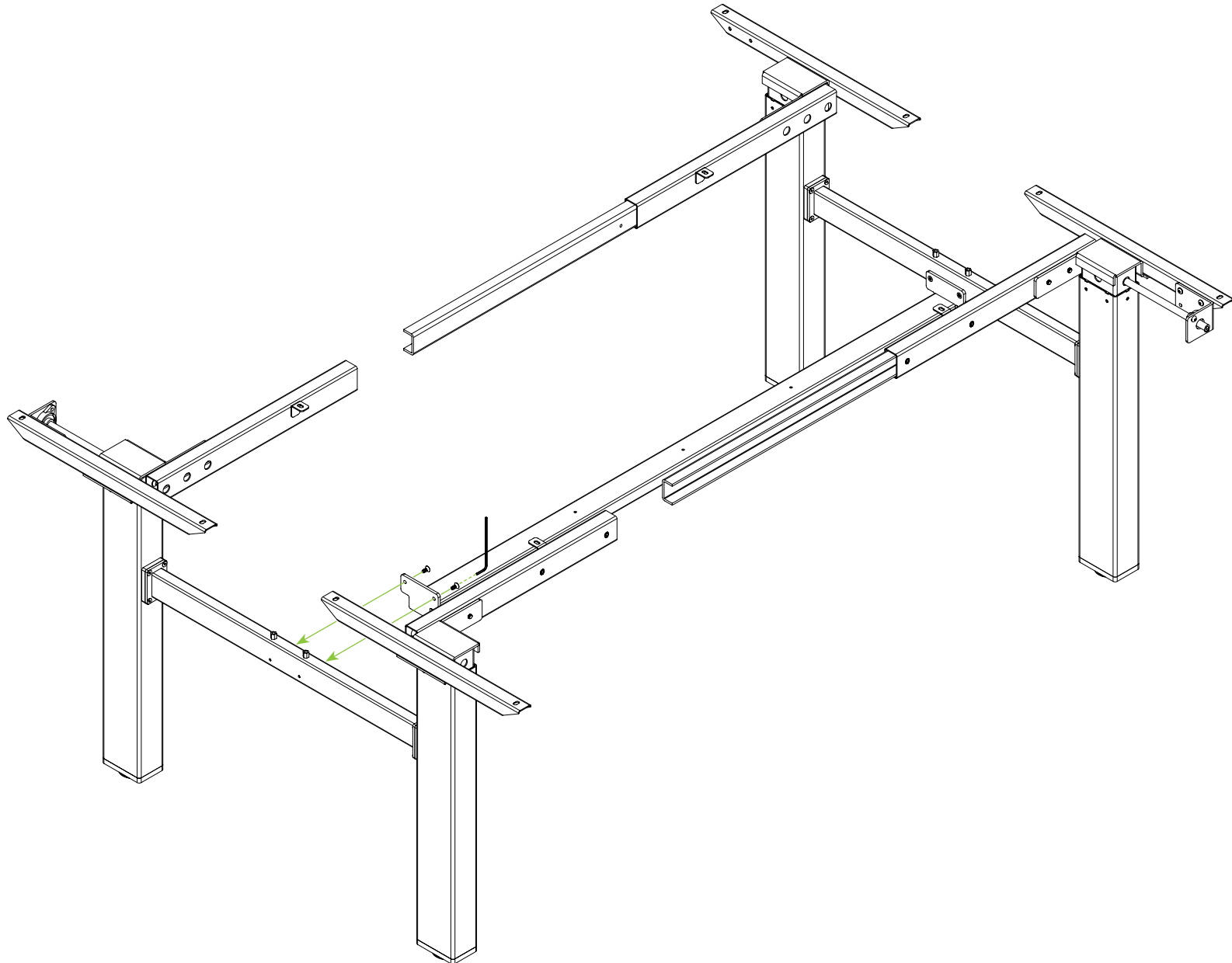
Installation Guide



Optional Cable Tray

Installation Guide

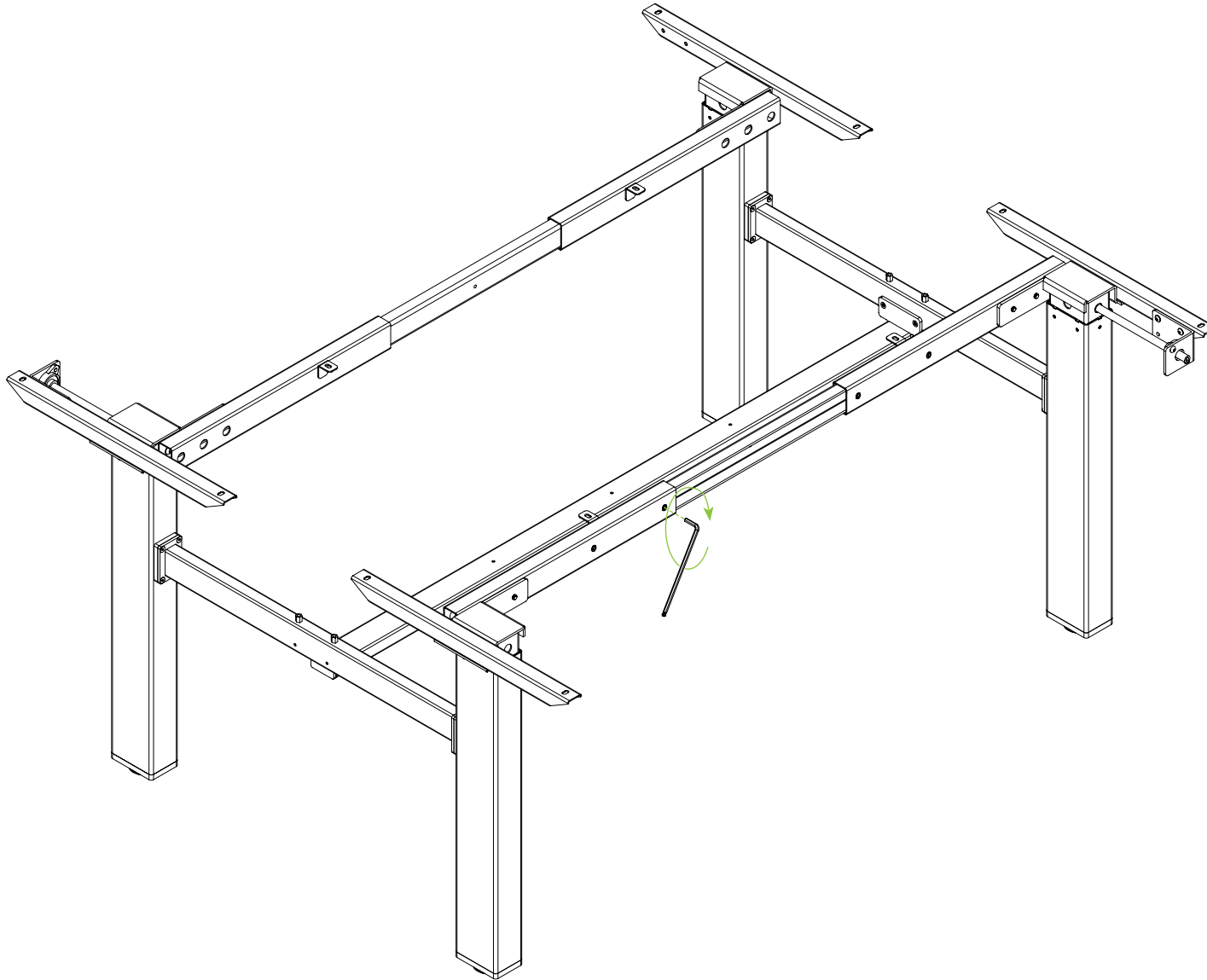
Step 1



Optional Cable Tray

Installation Guide

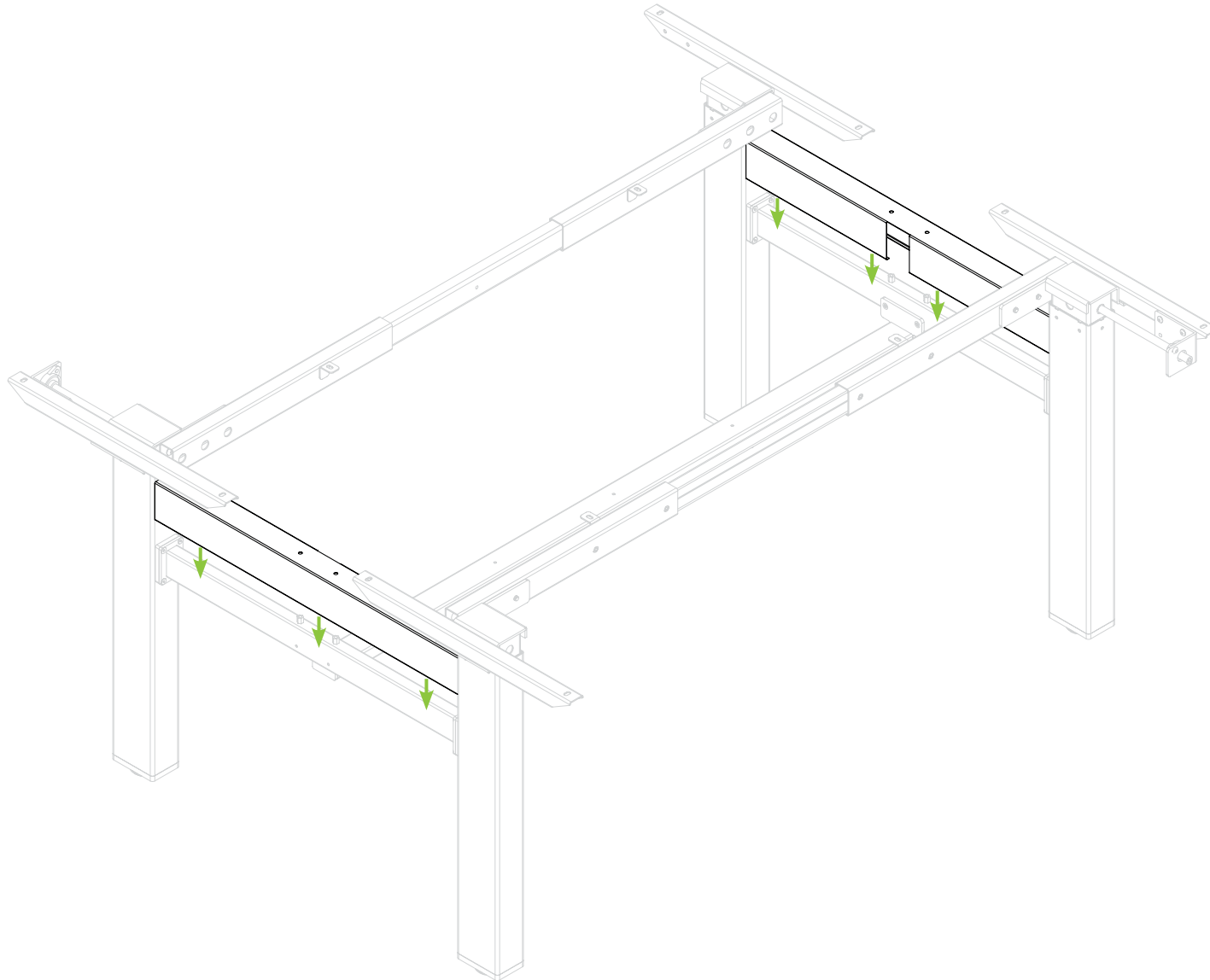
Step 2



Optional Cable Tray

Installation Guide

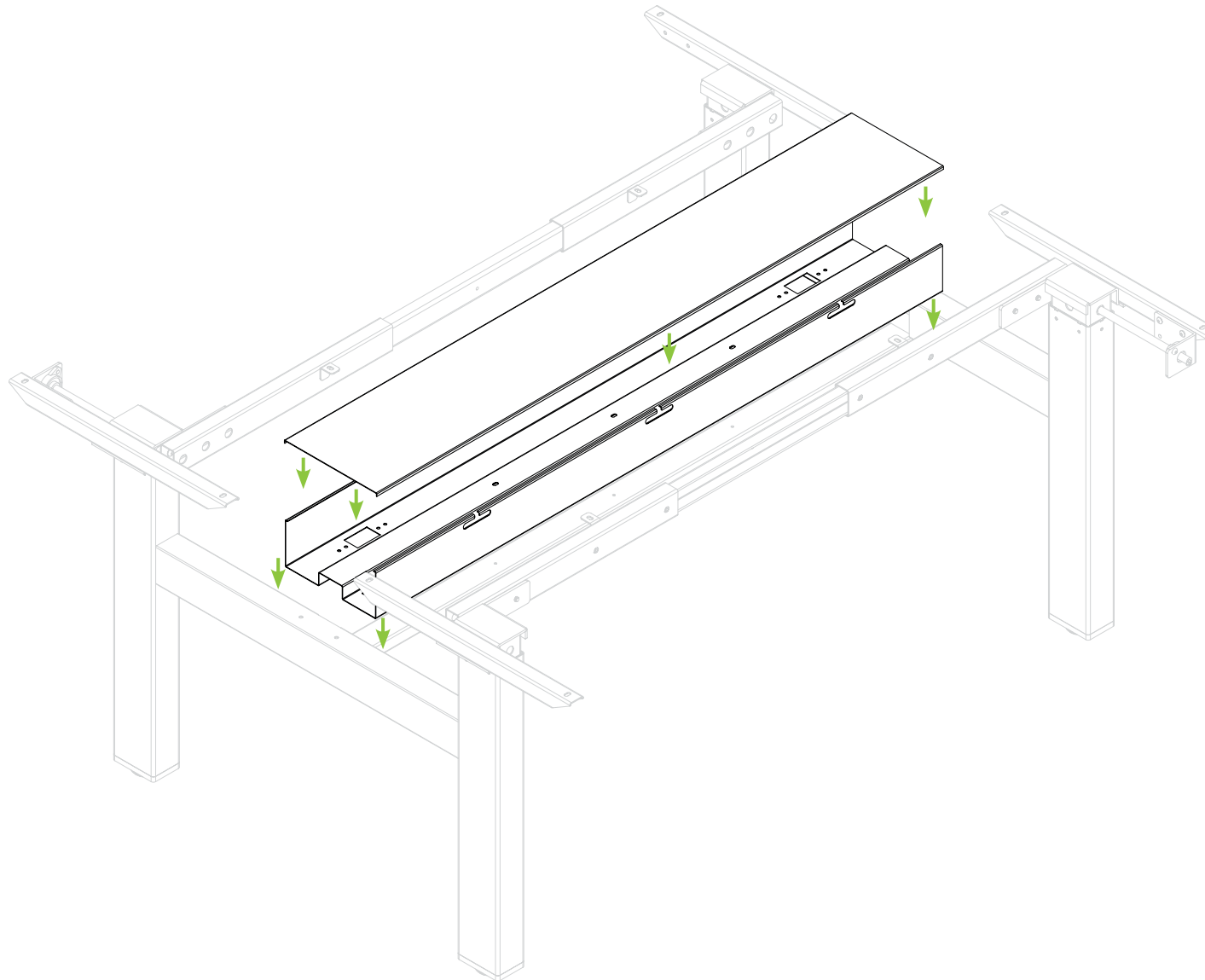
Step 3



Optional Cable Tray

Installation Guide

Step 4



Directions For Use

IMPORTANT

Please carefully read the assembly manual and direction for use prior to instalment, use and maintenance of the table frame to gain a complete understanding of its contents. It provides you with important information about the safety, use, installation and maintenance of the table.

WARNING: FAILURE TO COMPLY WITH OR OBSERVE ALL ASSEMBLY, SAFETY AND OPERATION INSTRUCTIONS REGARDING THE USE OF THIS PRODUCT MAY RESULT IN SERIOUS BODILY INJURY.

SAFETY

- The table must be used in a safe manner. Inappropriate use may cause damage to the table and/or cause bodily harm to the user or persons nearby.
- Do not use the table frame to lift people.
- Please retain this operation manual and pass it on to any future owner.

USAGE

- The height-adjustable table is designed for use in dry work environments only.
- The table height is infinitely adjustable within its height range so that it can be set to the user's most ergonomic working height. The user should seek professional help to establish their optimum working height.
- The table has been designed as a devise to elevate the users work surface and associated office peripherals. Do not use the table frame for any other purposes than that which it has been designed for. Any other use is at user's own risk!
- Do not crawl, lie or move around under the table frame, and do not sit or stand on the table frame.
- CHILDREN should only use the table when supervised by adults.
- Liability: The manufacturer accepts under no circumstances warranty claims or liability claims for damages arising from improper use or handling of the table frame other than that described in this operation manual.

SET UP AND INSTALLATION

Assemble the table frame according to the assembly instructions on pages #-#.

- Place the table in a safe distance from window frames, radiators, furniture etc. so that persons cannot become trapped.
- Level the table with the adjustable feet ensuring that the table is stable.

The table is now ready for use.

MAINTENANCE

- The table does not require any maintenance by the user
- The table is only to be cleaned with a wrung cloth.

TECHNICAL DATA

Height Range: 680-1130mm