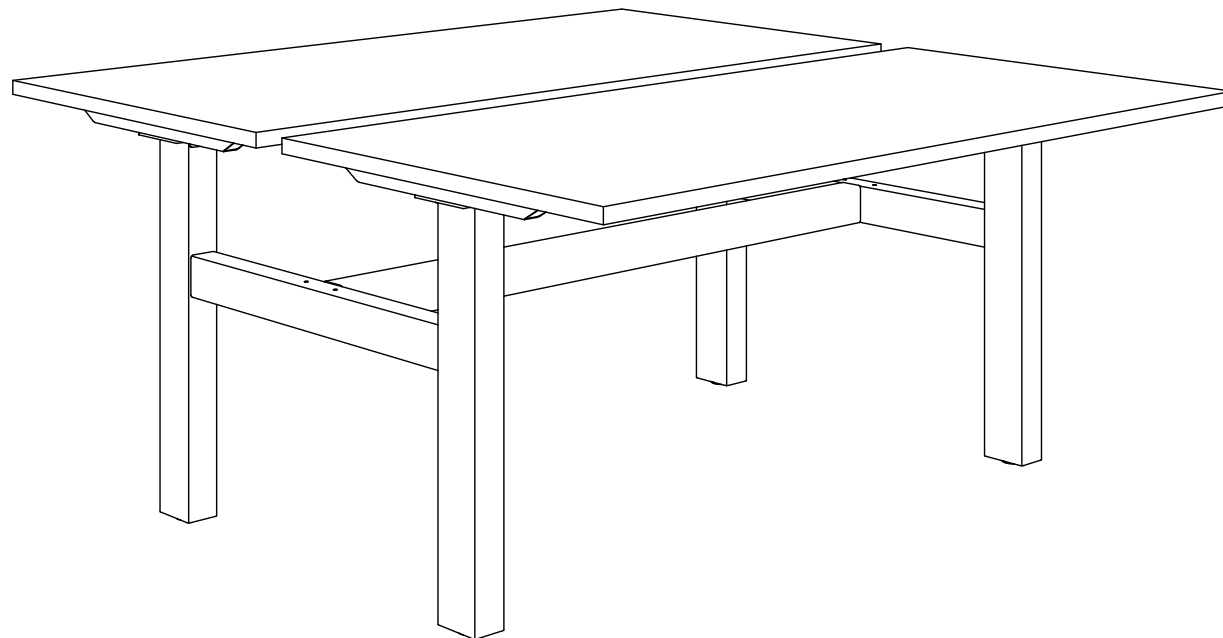


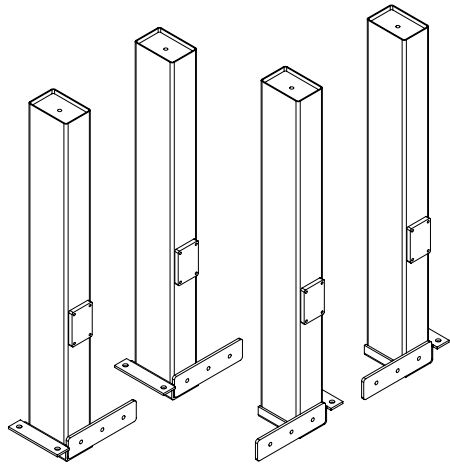
# Agile

Installation Guide - Fixed Height

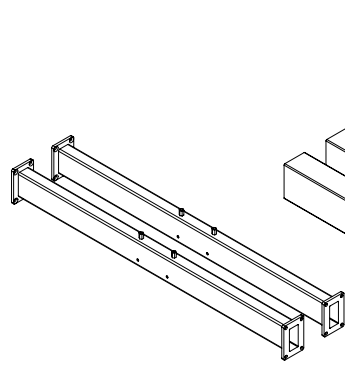
---



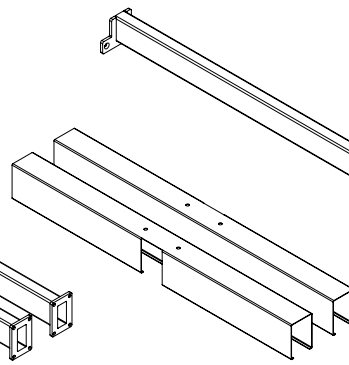
### Parts:



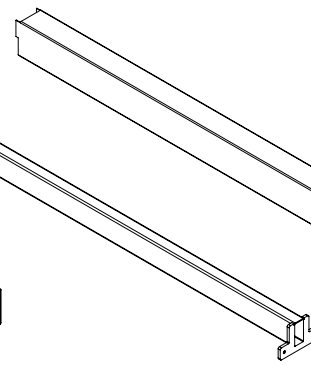
2 x L&R Leg Pair



2 x Leg Beam



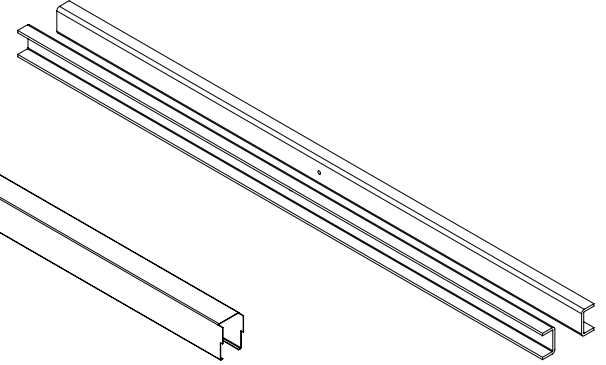
2 x Leg Beam Cover



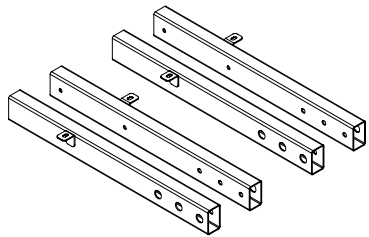
1 x Cross Beam



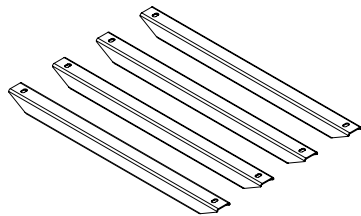
1 x Cross Beam Cover



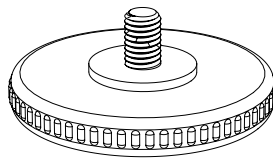
2 x Cross Rail



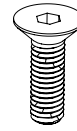
4 x L&R Leg Rail Pair



4 x Support Bar



4 x Levelling Foot



2 x M8x20



4 x M5x15



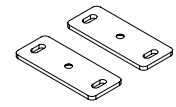
16 x M8x10



18 x M5x10



12 x ST5.0x23

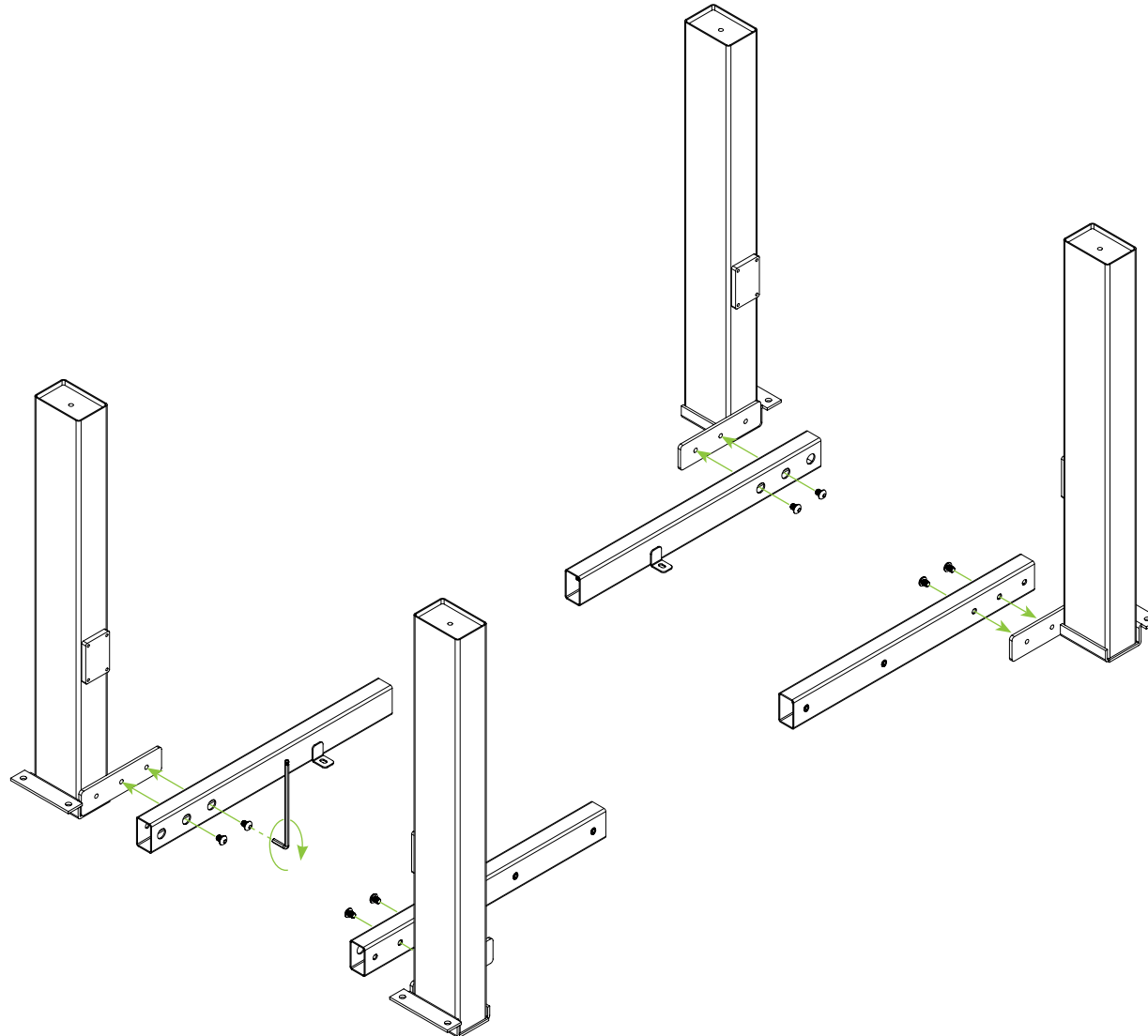


2 x Screen Bracket

### Step 1



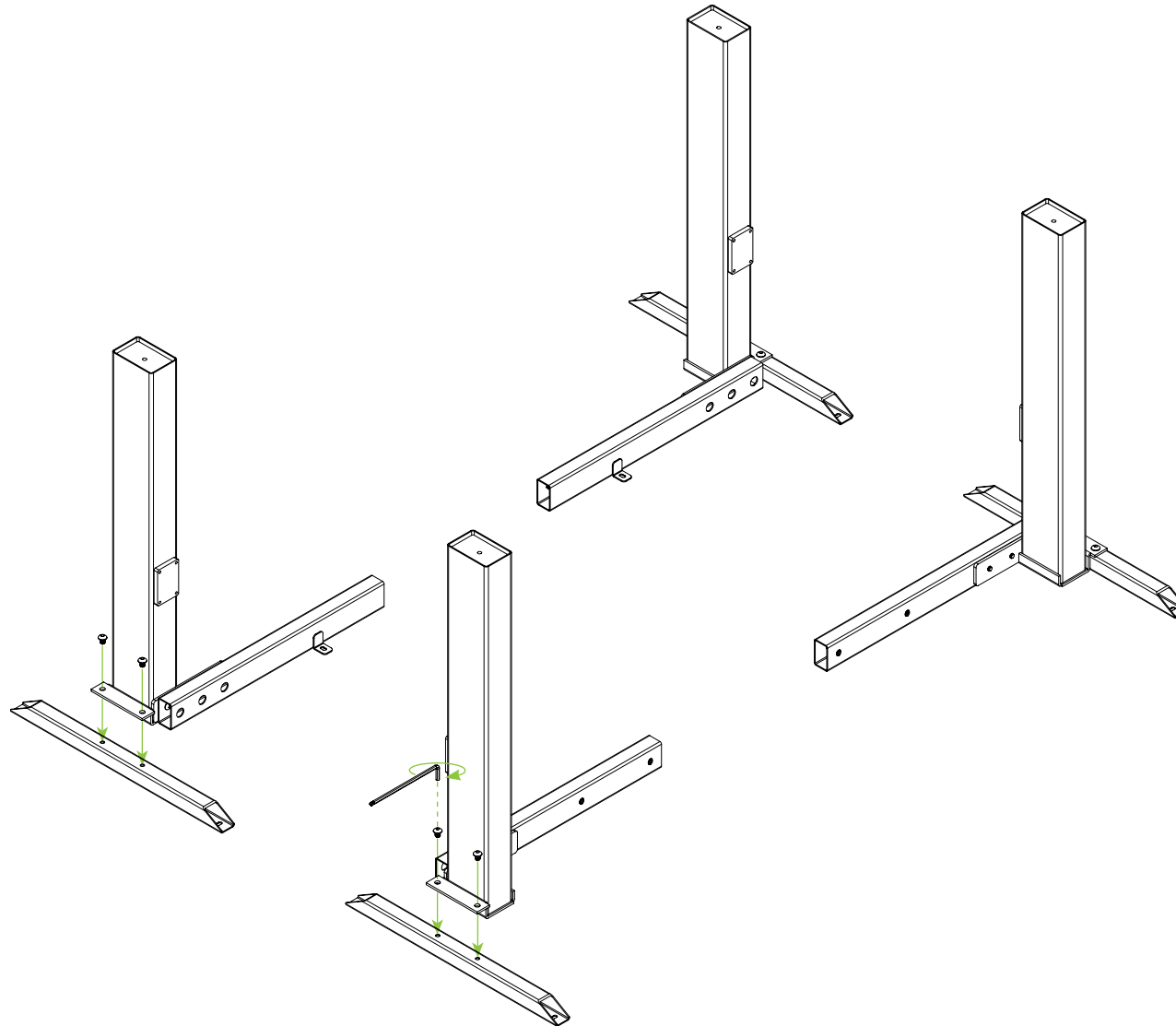
8 x M8x10



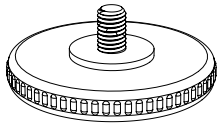
### Step 2



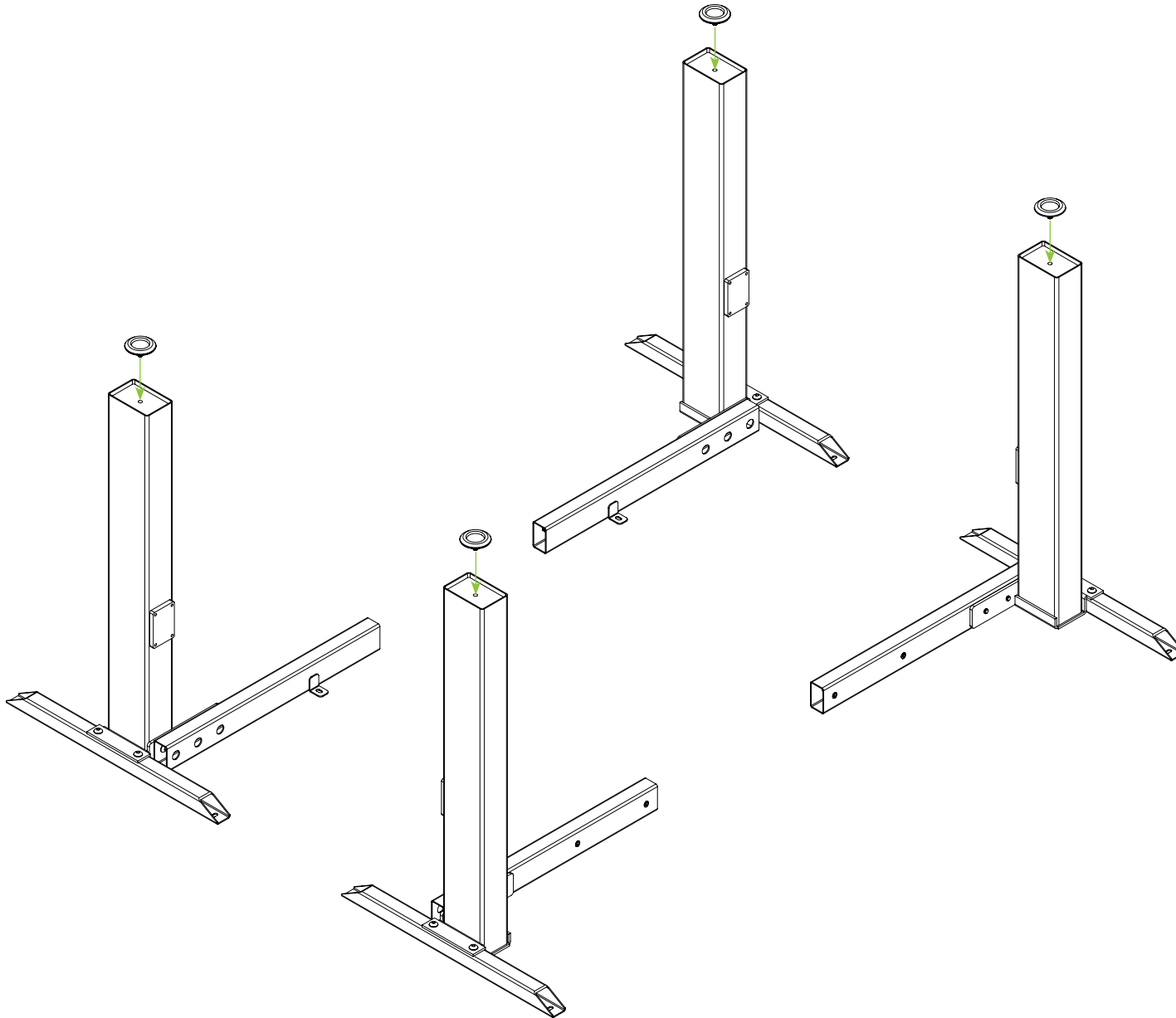
8 x M8x10



### Step 3



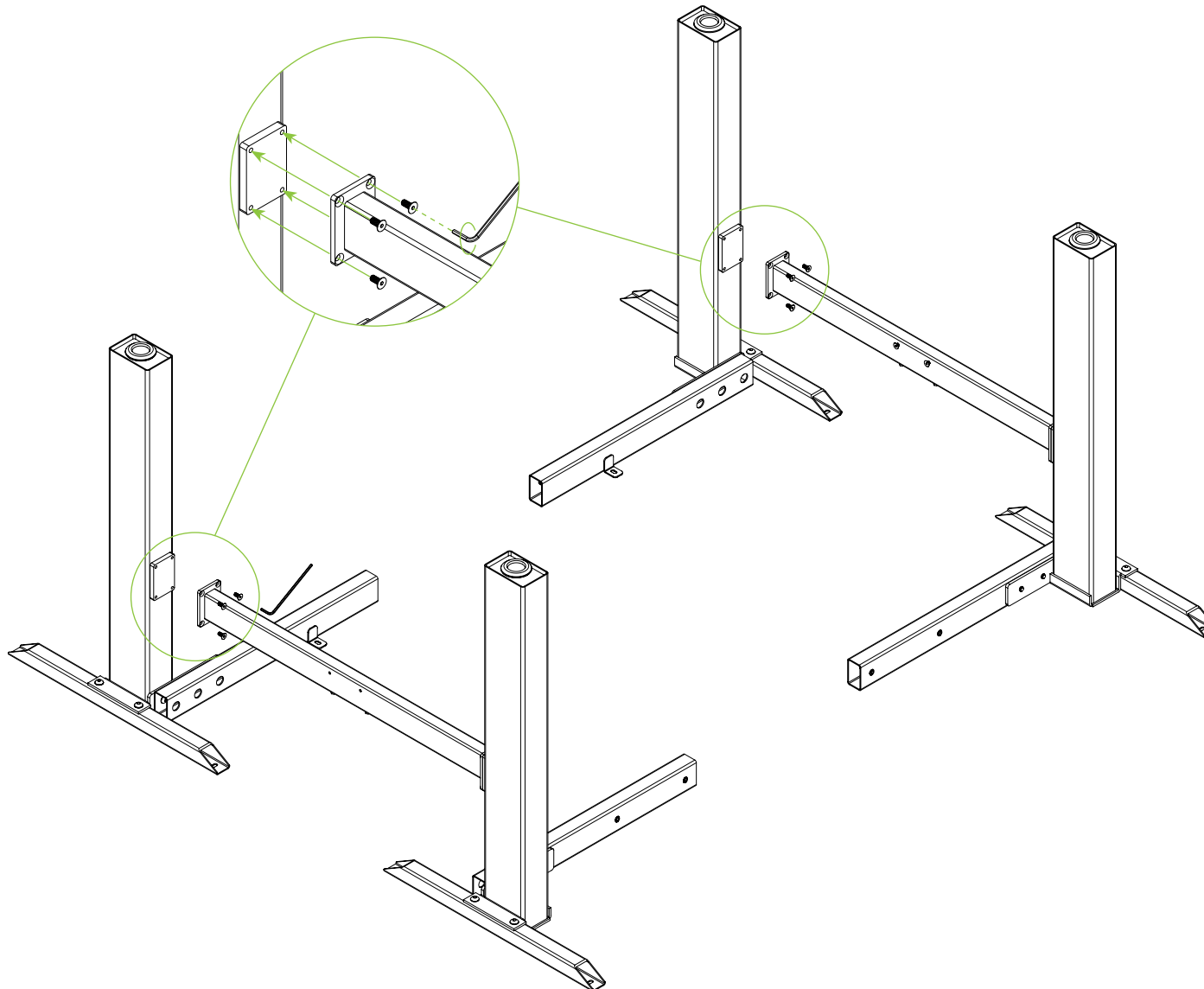
4 x Levelling Foot



### Step 4



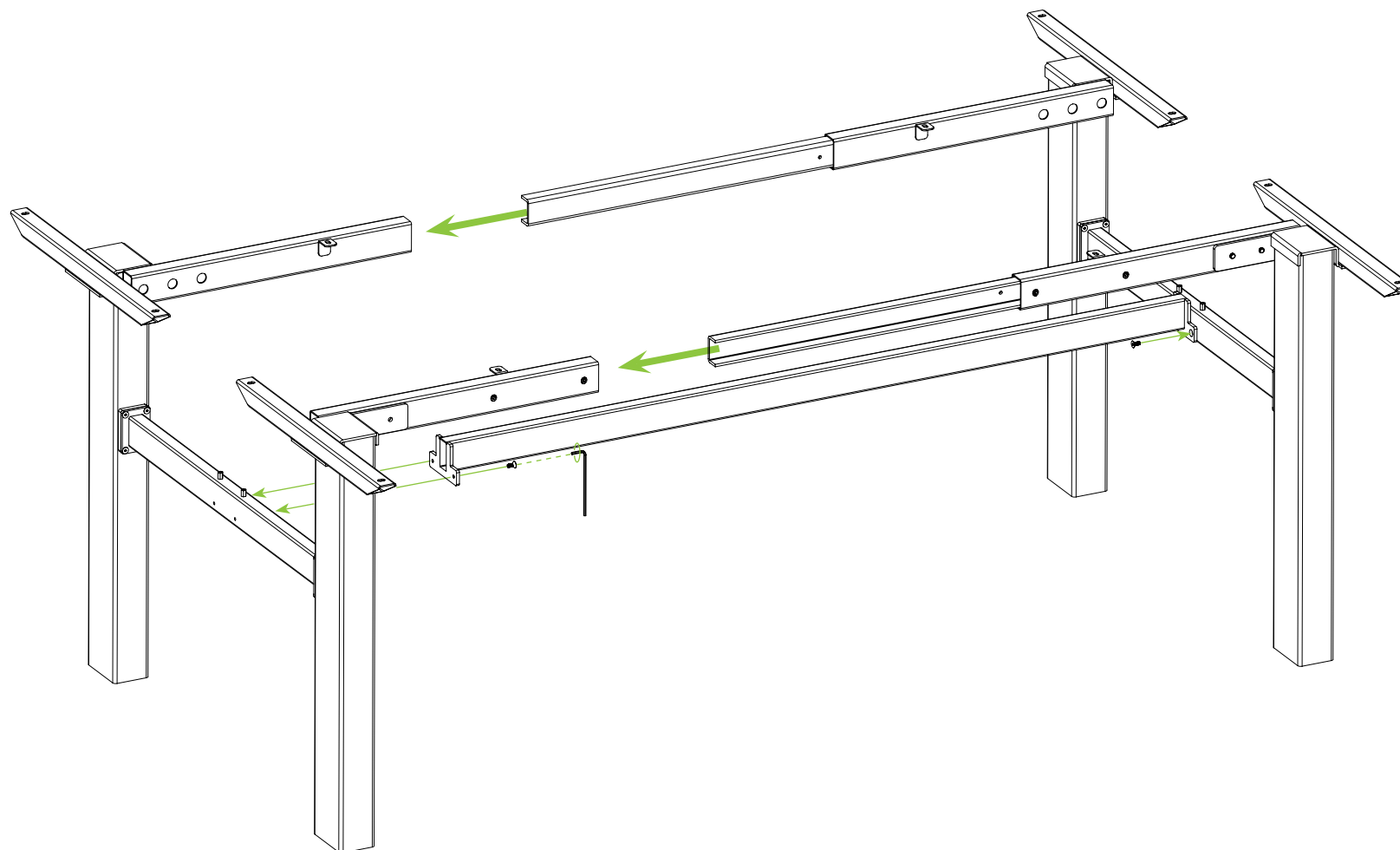
14 x M5x10



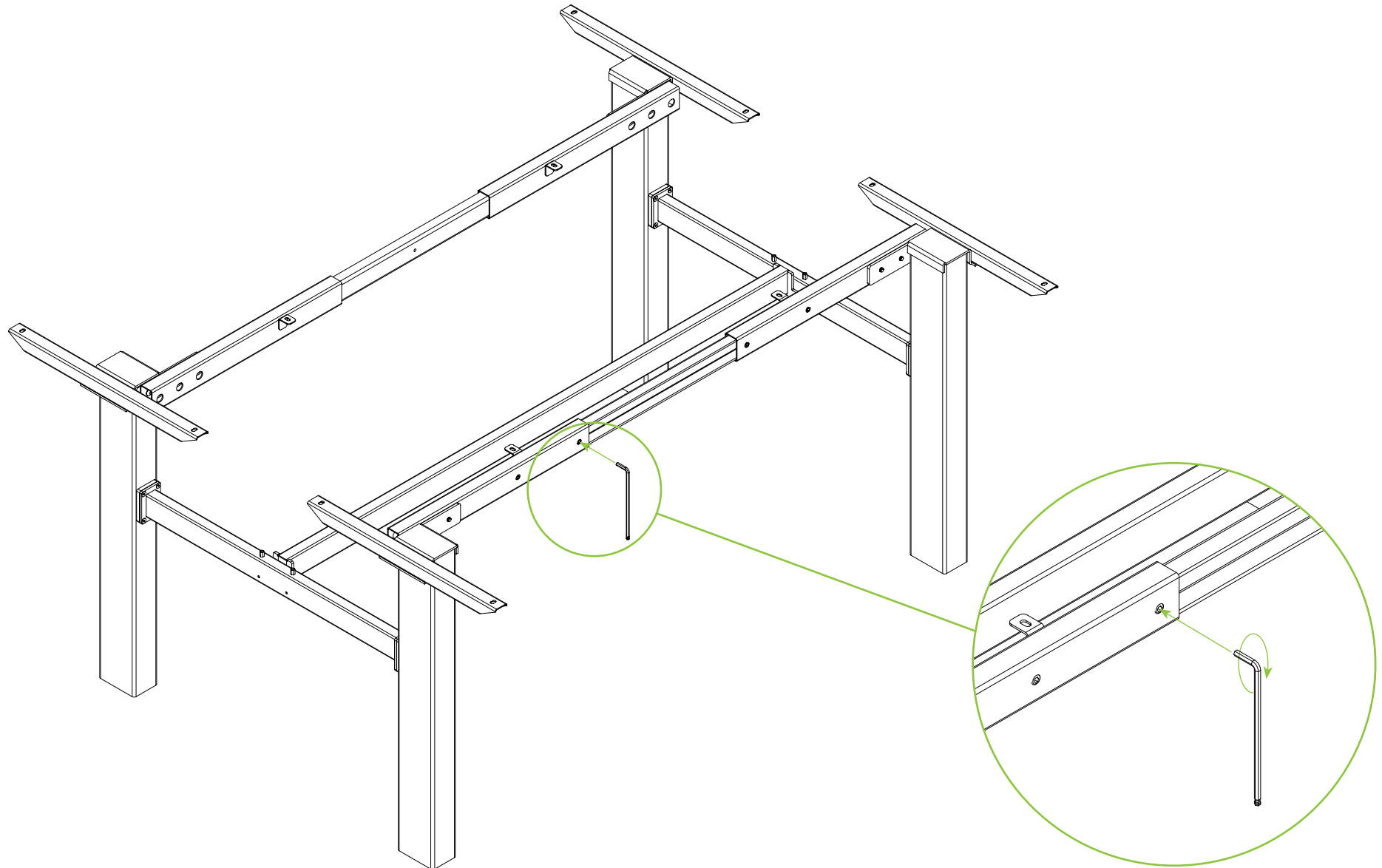
### Step 5



4 x M5x10

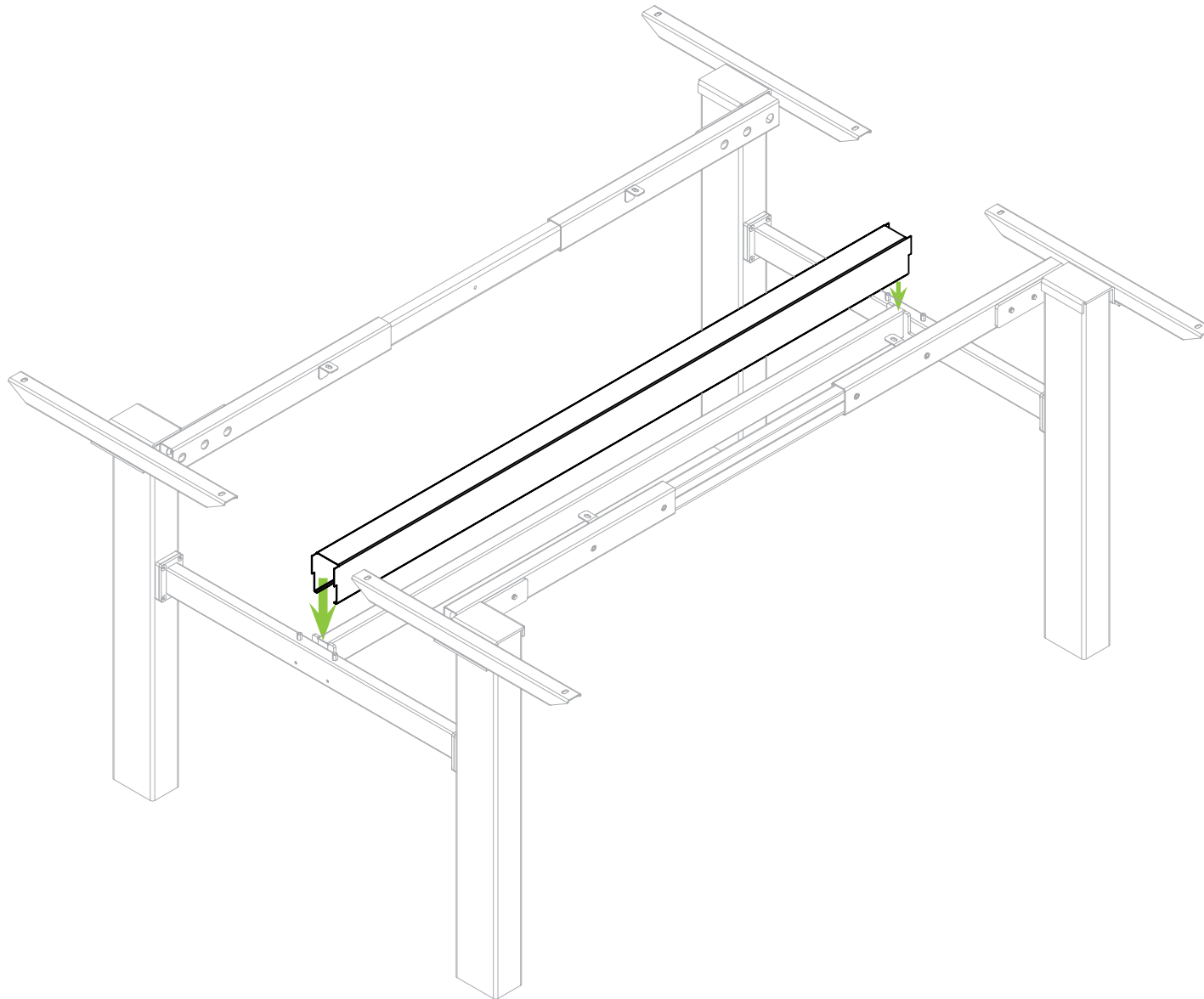


### Step 6

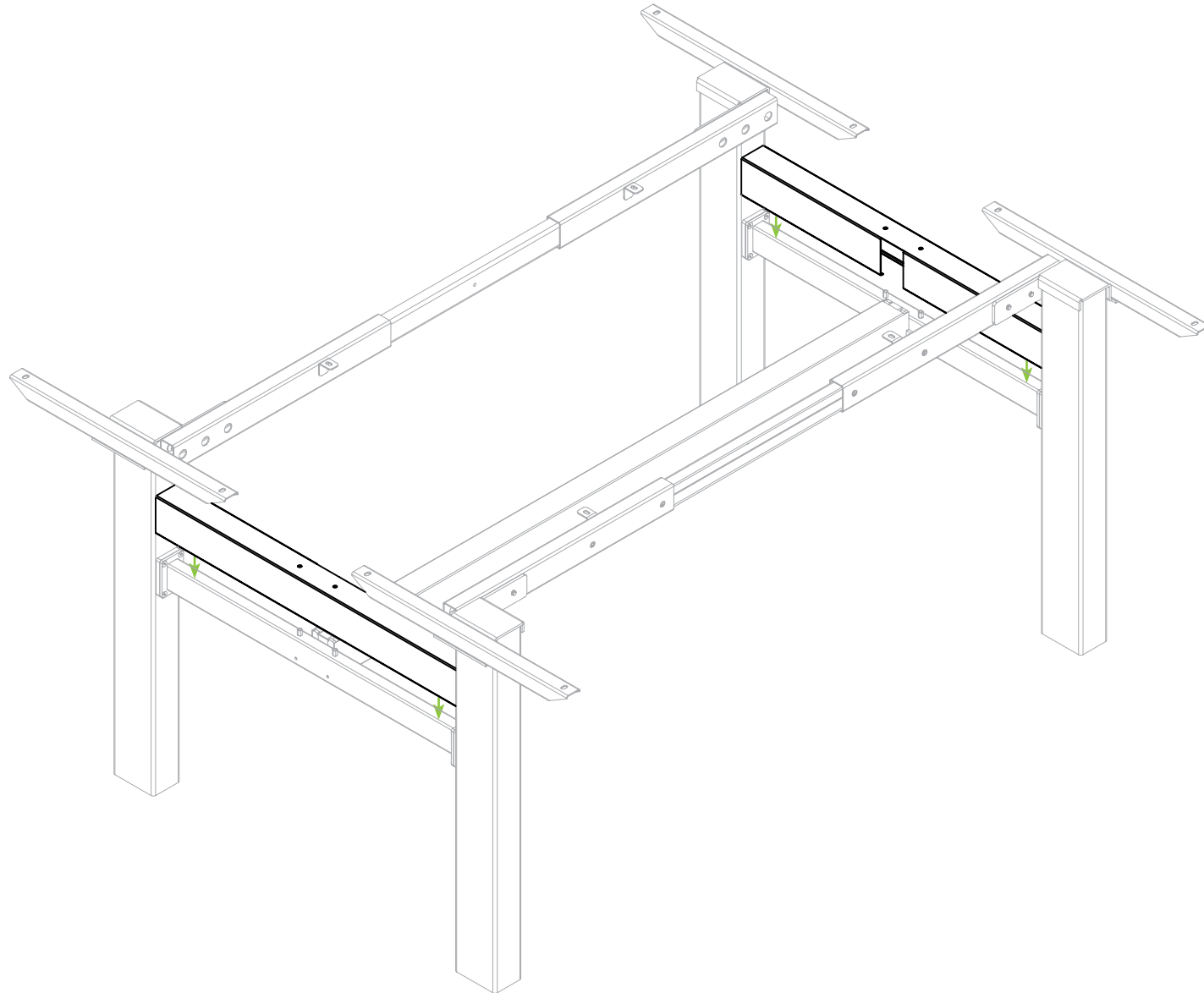




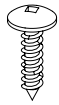
## Step 7



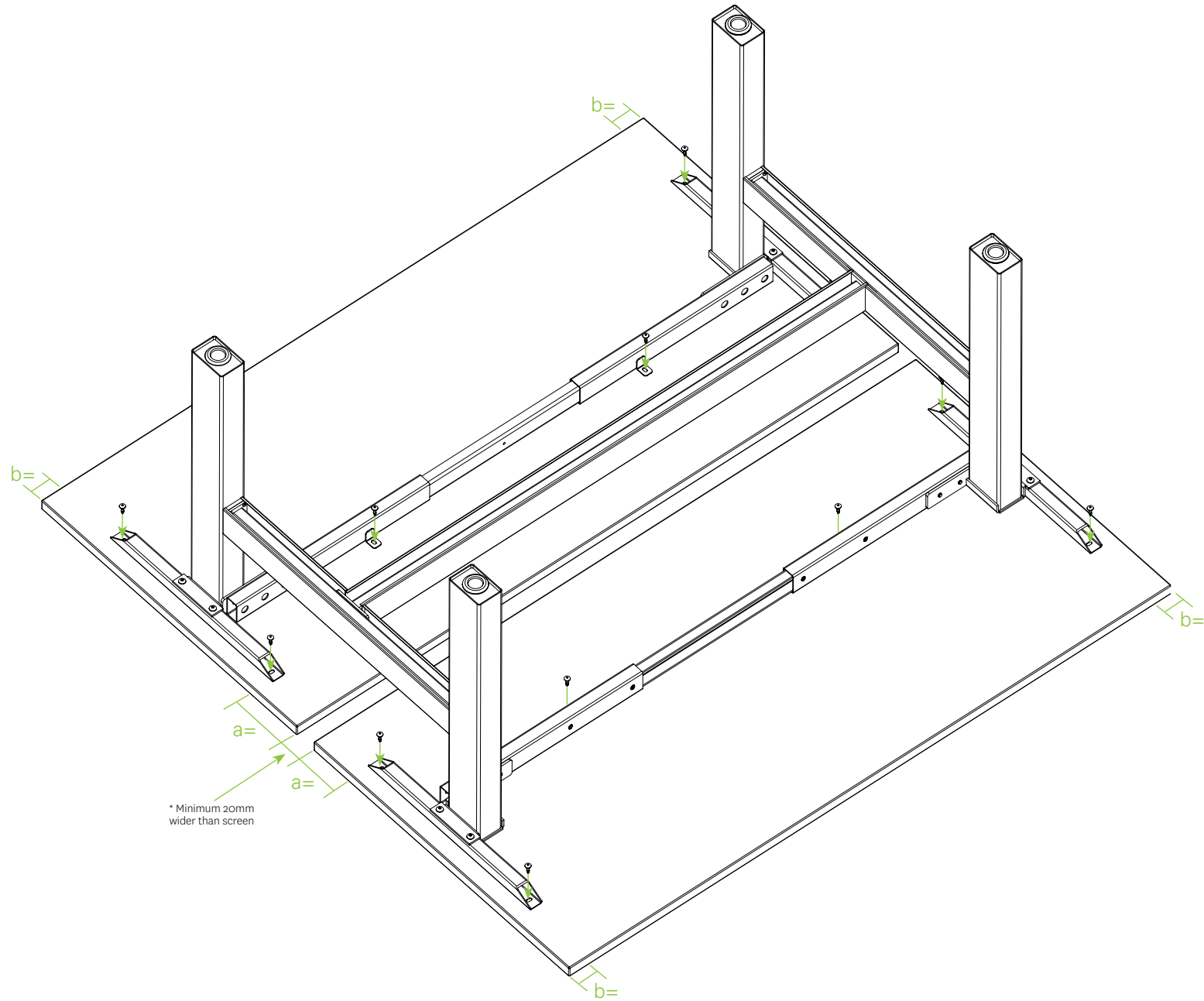
### Step 8



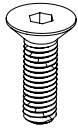
### Step 9



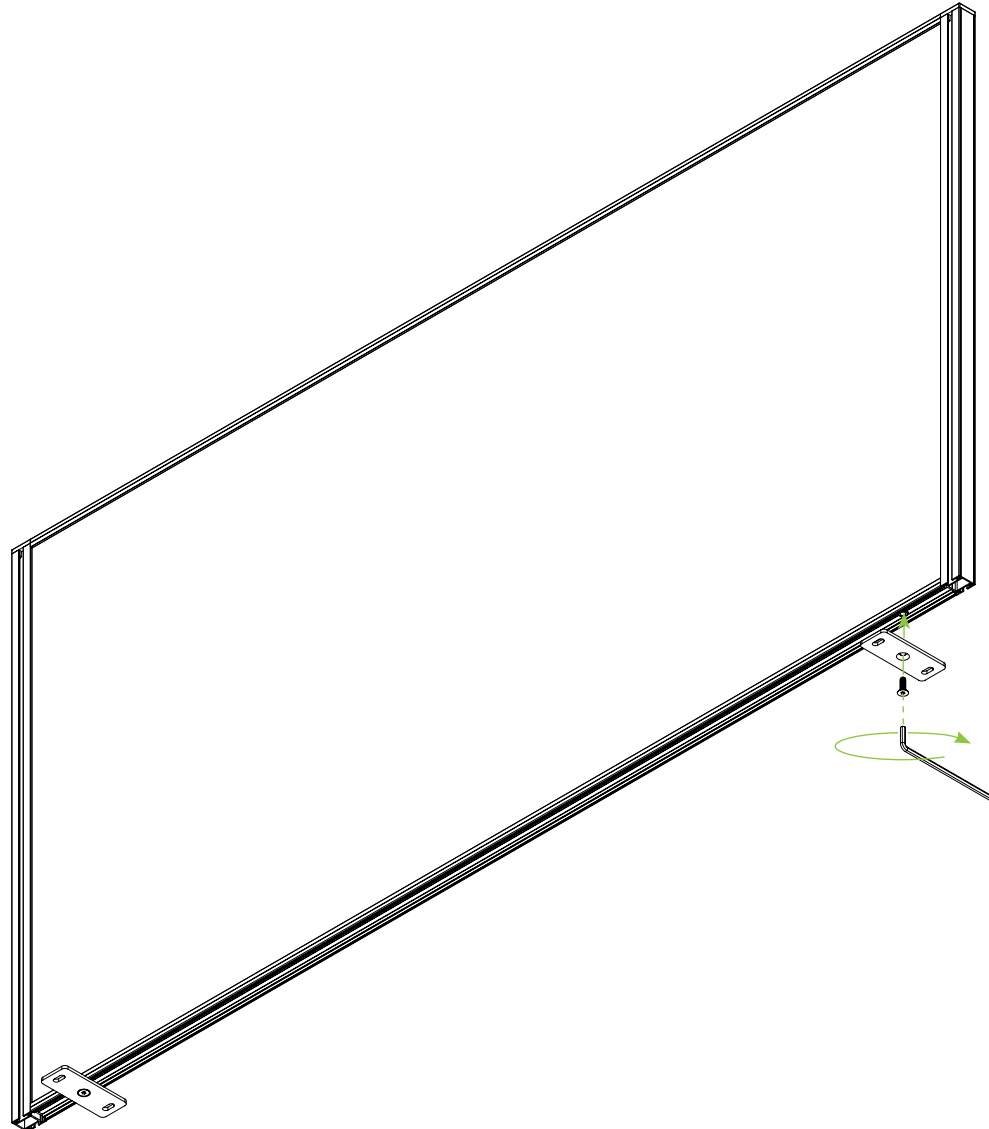
12 x ST5.0x23



### Step 10

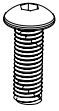


2 x M8x20

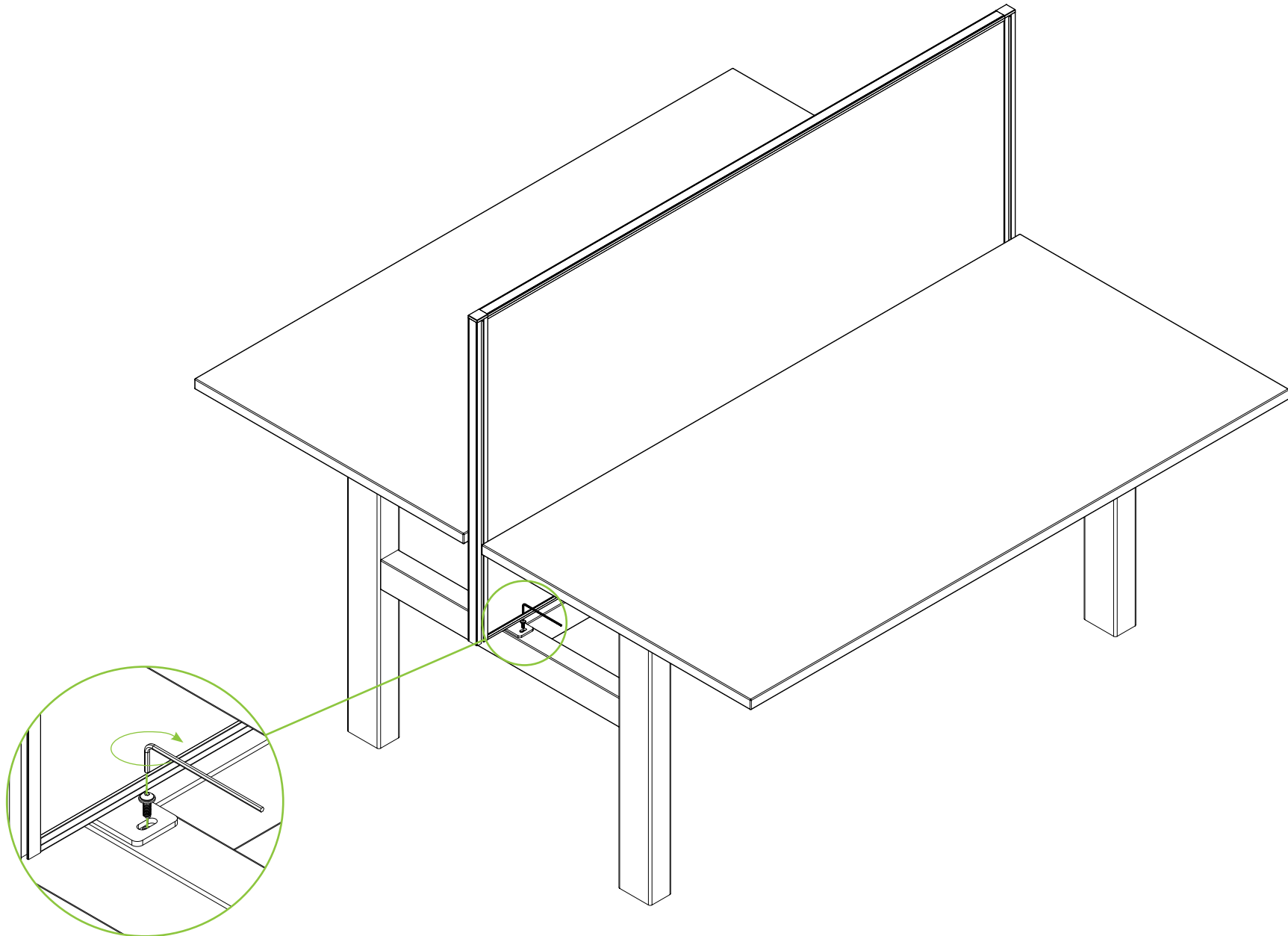


Studio50  
Screens are  
Australian  
Made.

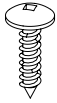
## Step 11



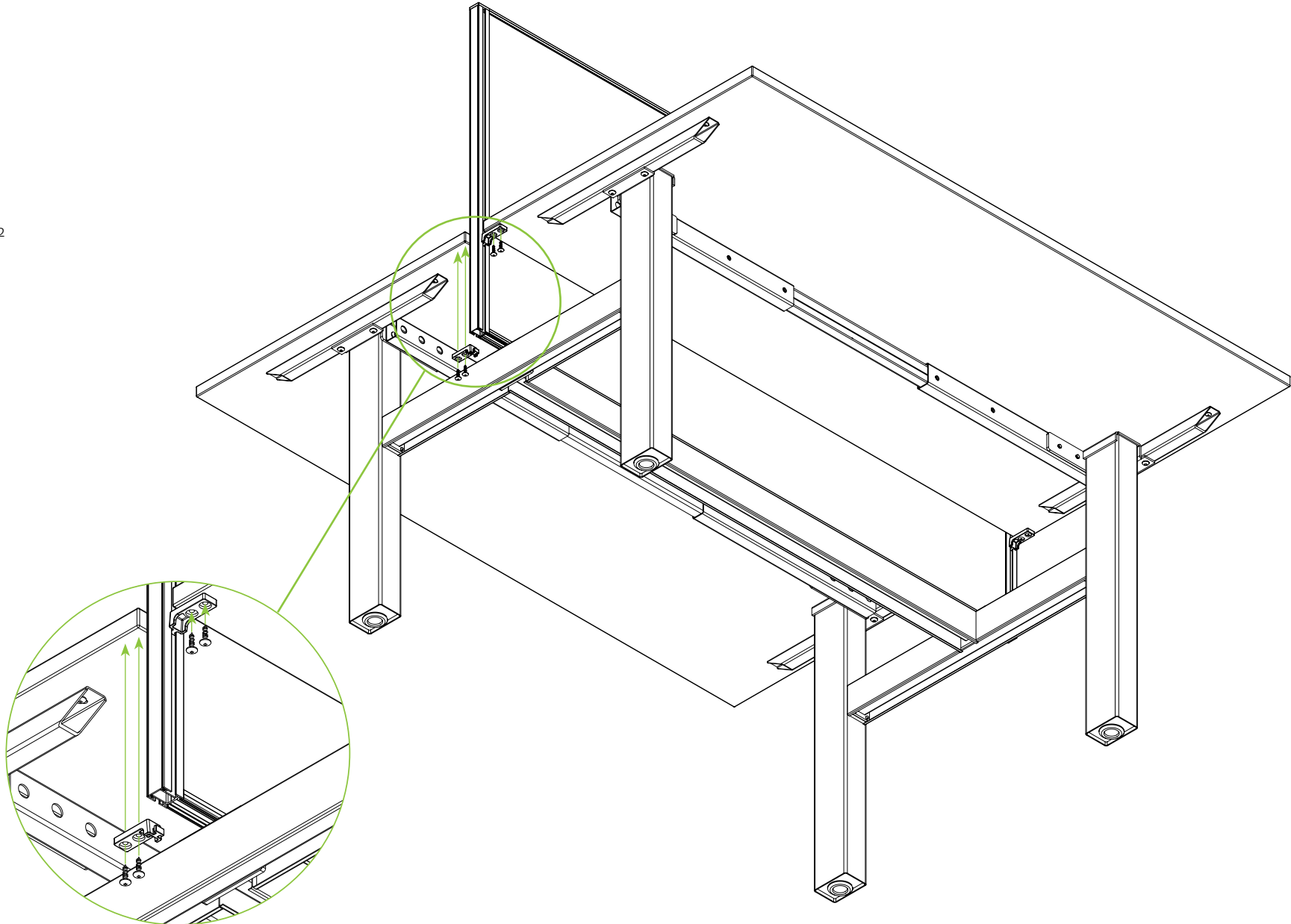
4 x M5x15



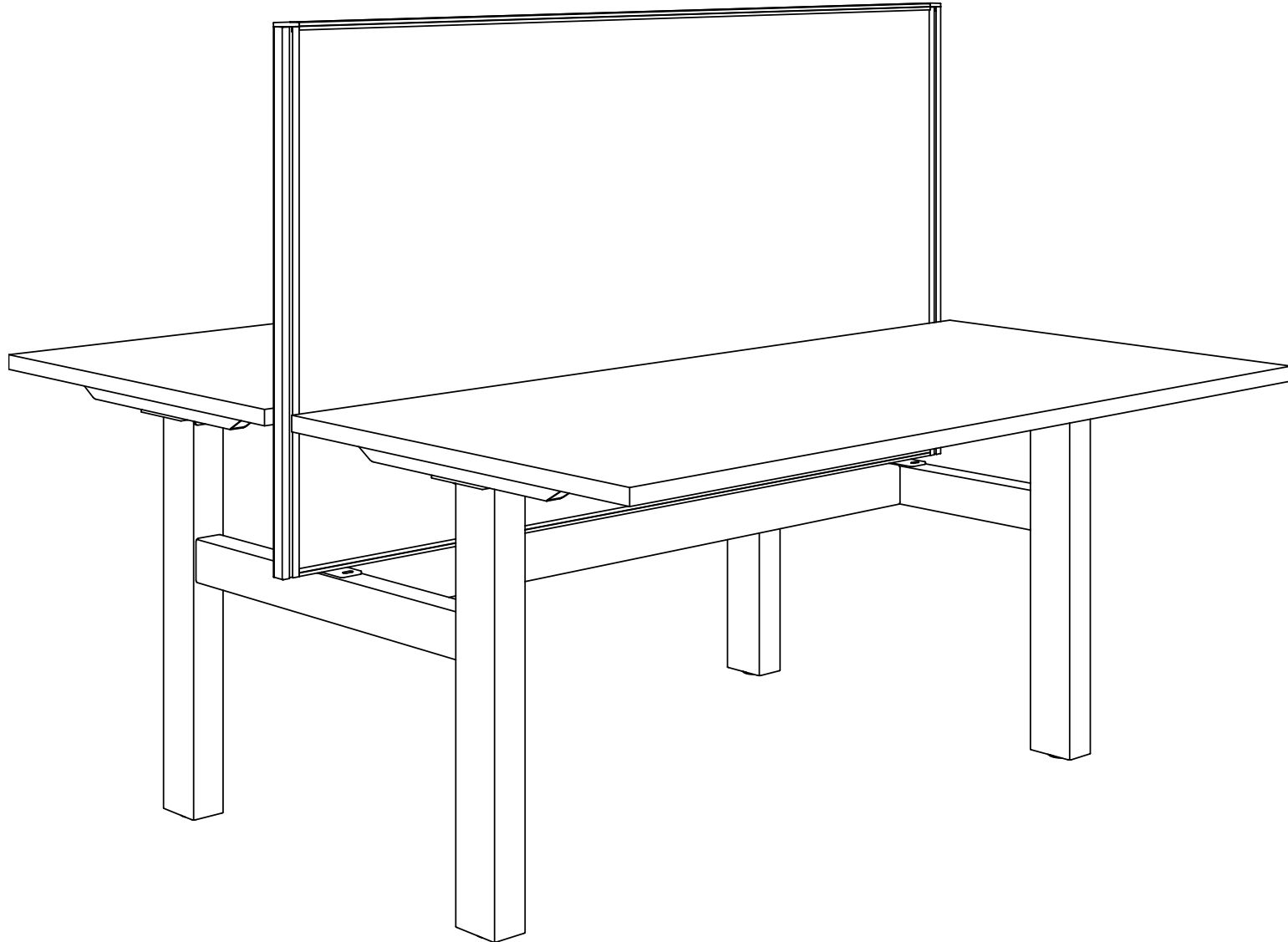
### Step 12



8 x ST5.0x22



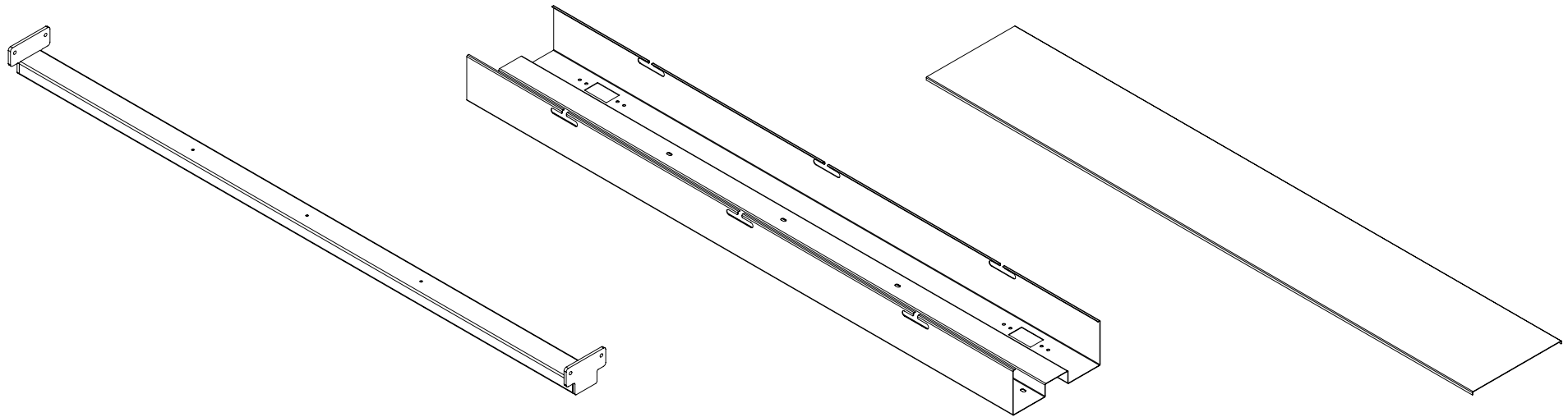
## Completed



# Optional Cable Tray

Installation Guide

---

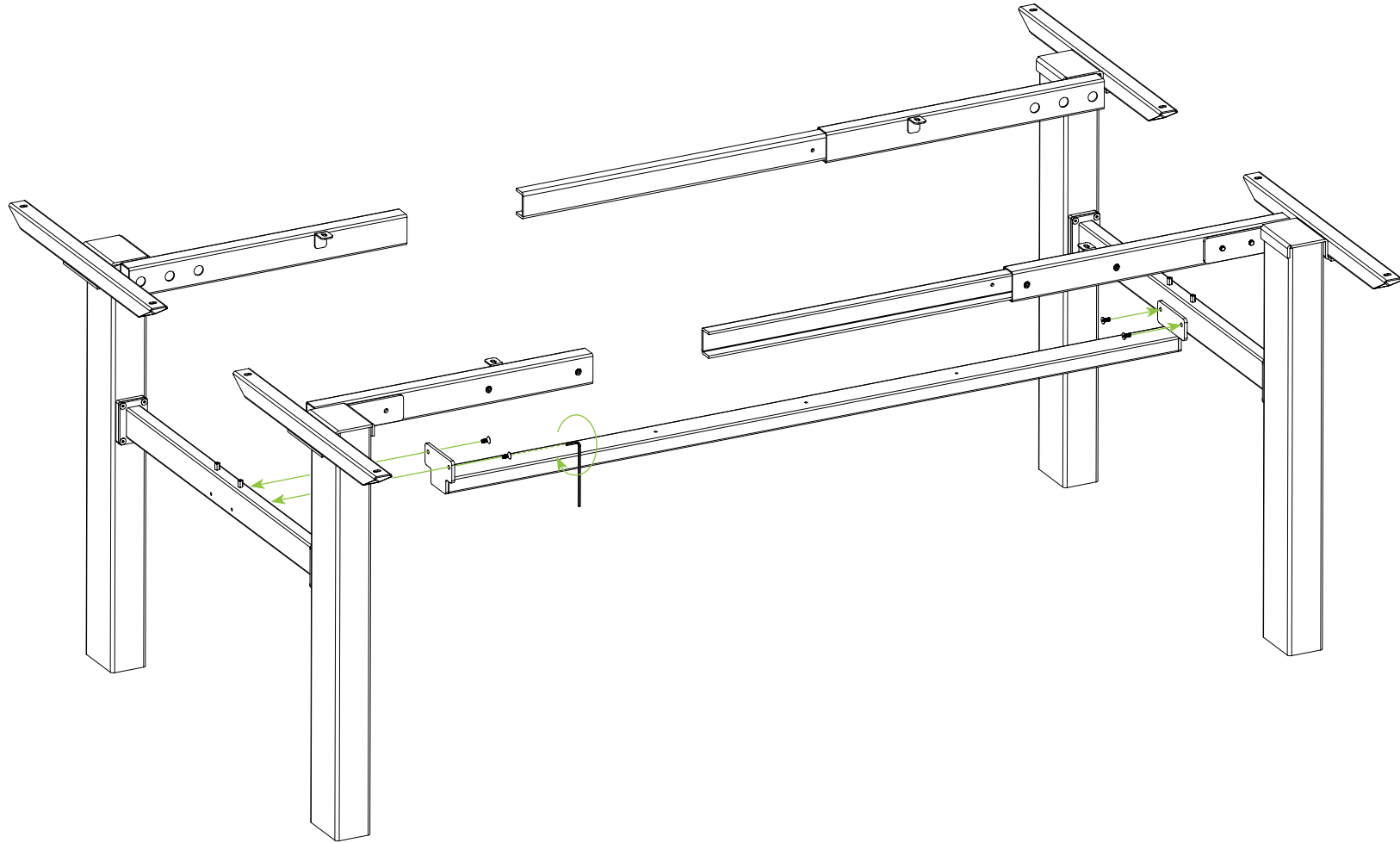




# Optional Cable Tray

Installation Guide

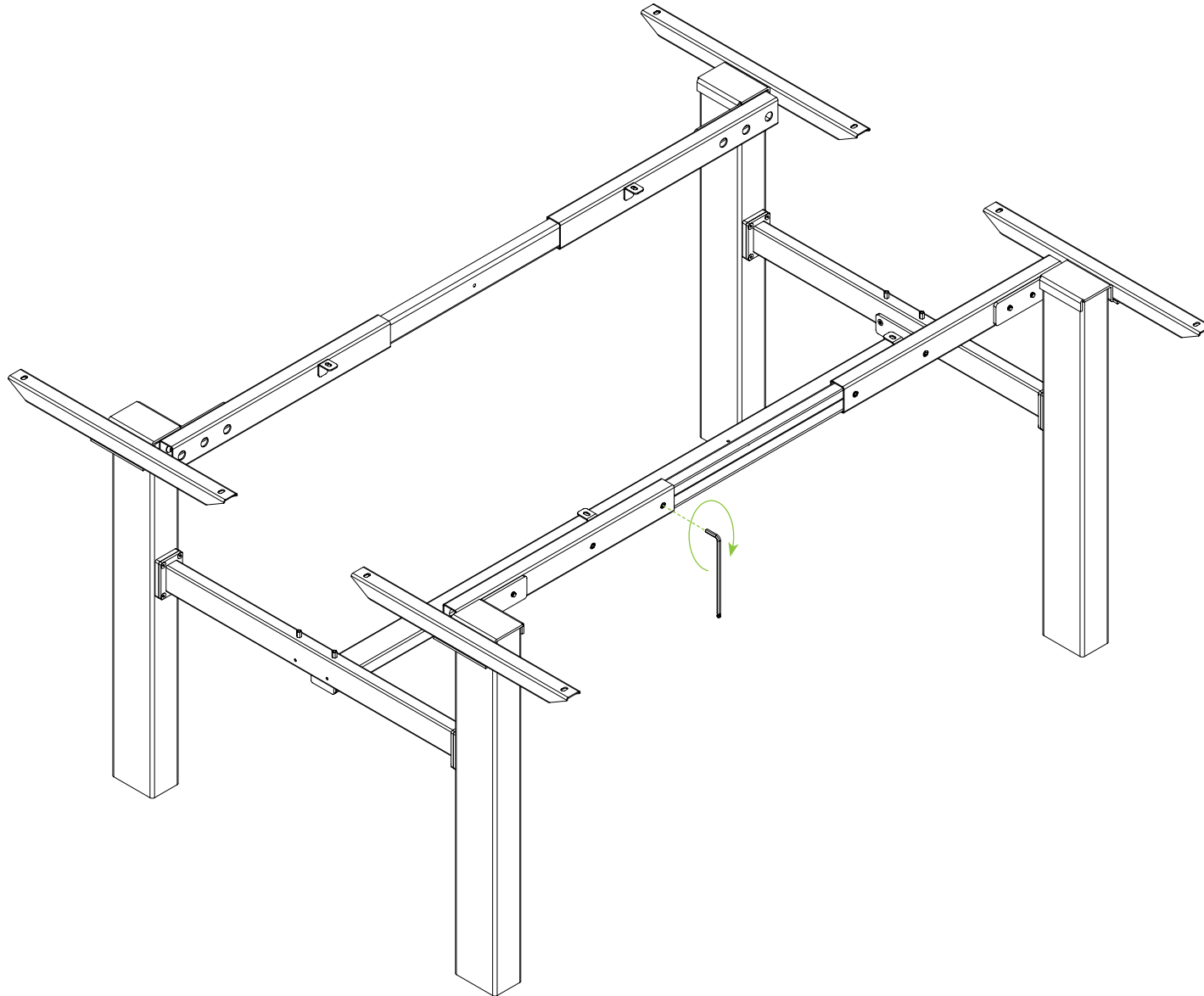
## Step 1



# Optional Cable Tray

Installation Guide

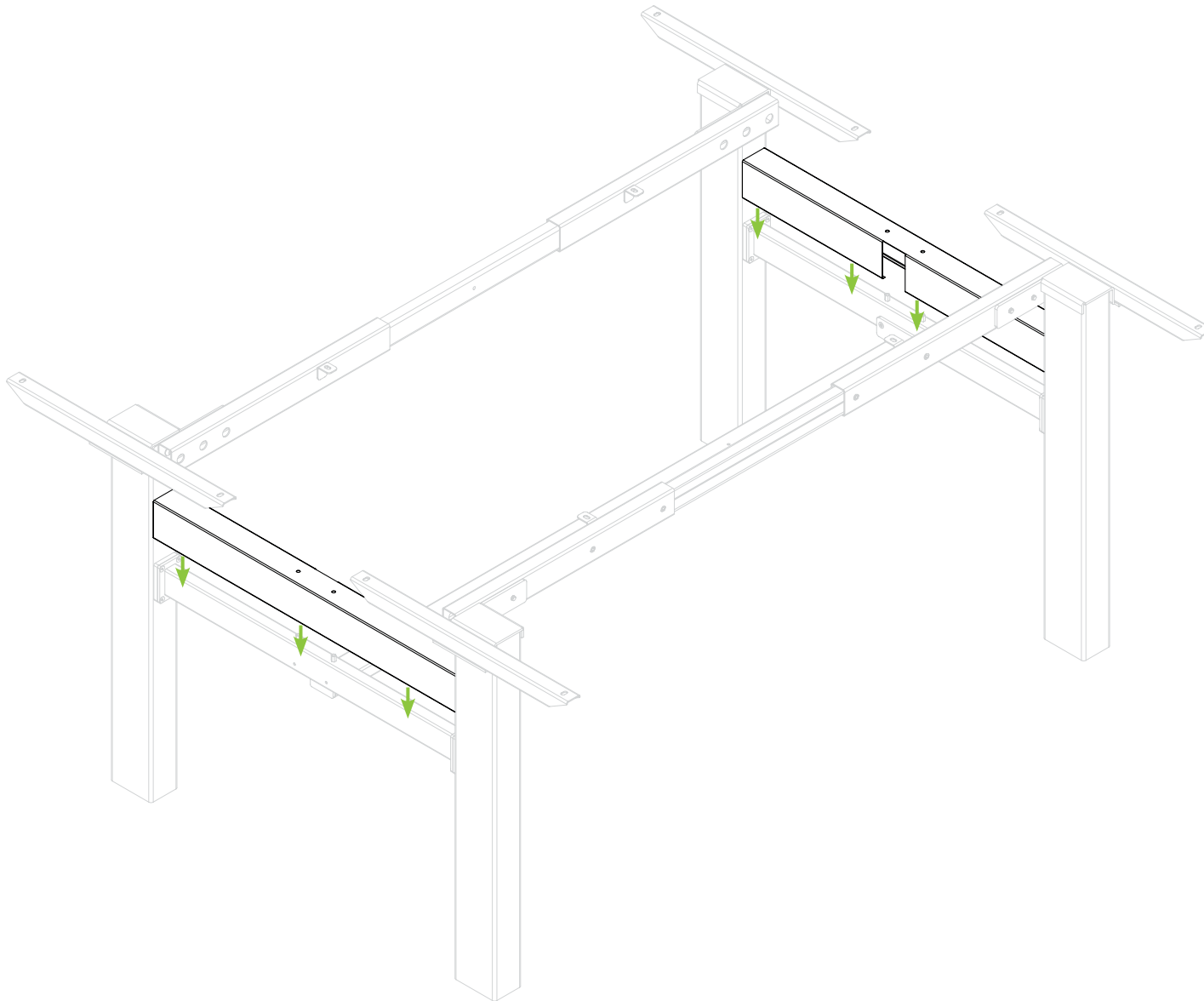
## Step 2



# Optional Cable Tray

Installation Guide

## Step 3



# Optional Cable Tray

Installation Guide

## Step 4

