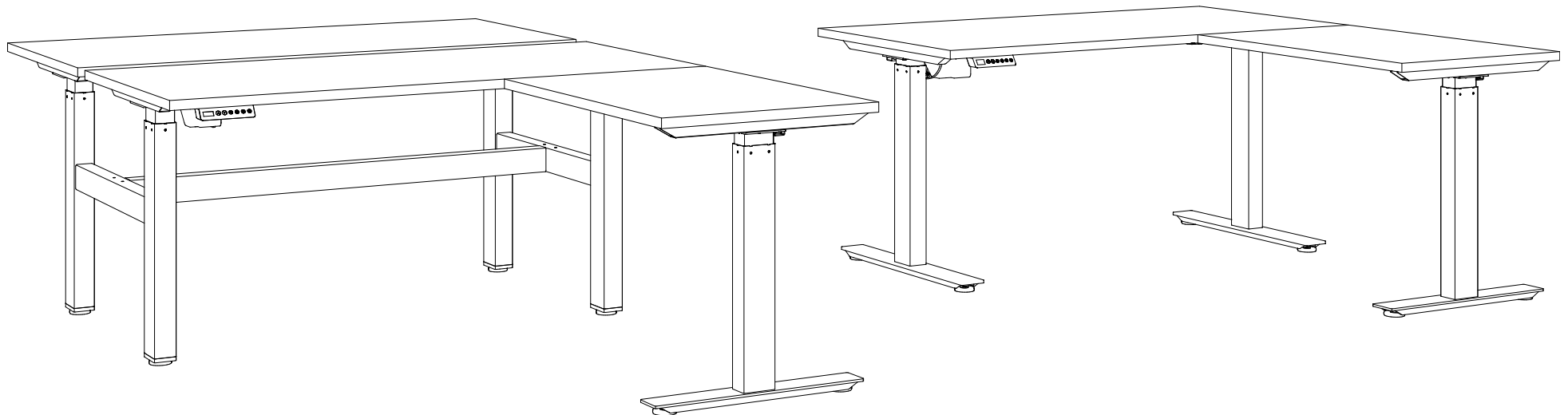
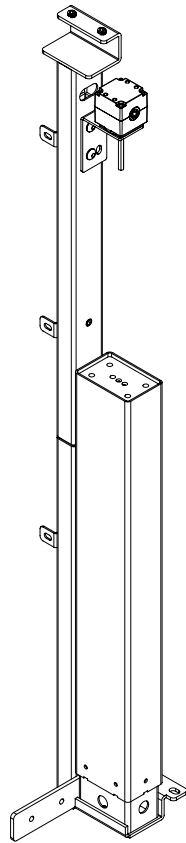


Agile

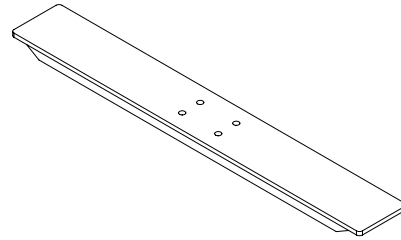
Installation Guide - Electric 2 Column Right Hand Return For Single & Double Desk



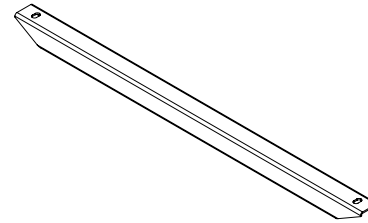
Parts:



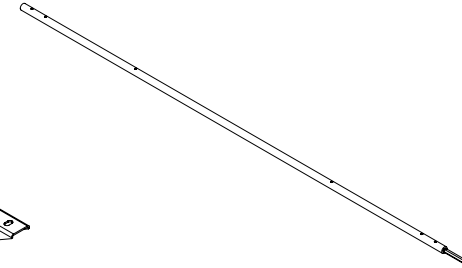
1 x Return Leg



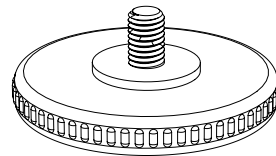
1 x Foot



1 x Support Bar



1 x Drive Bar



2 x Levelling Foot



4 x M8x25



5 x ST5x23

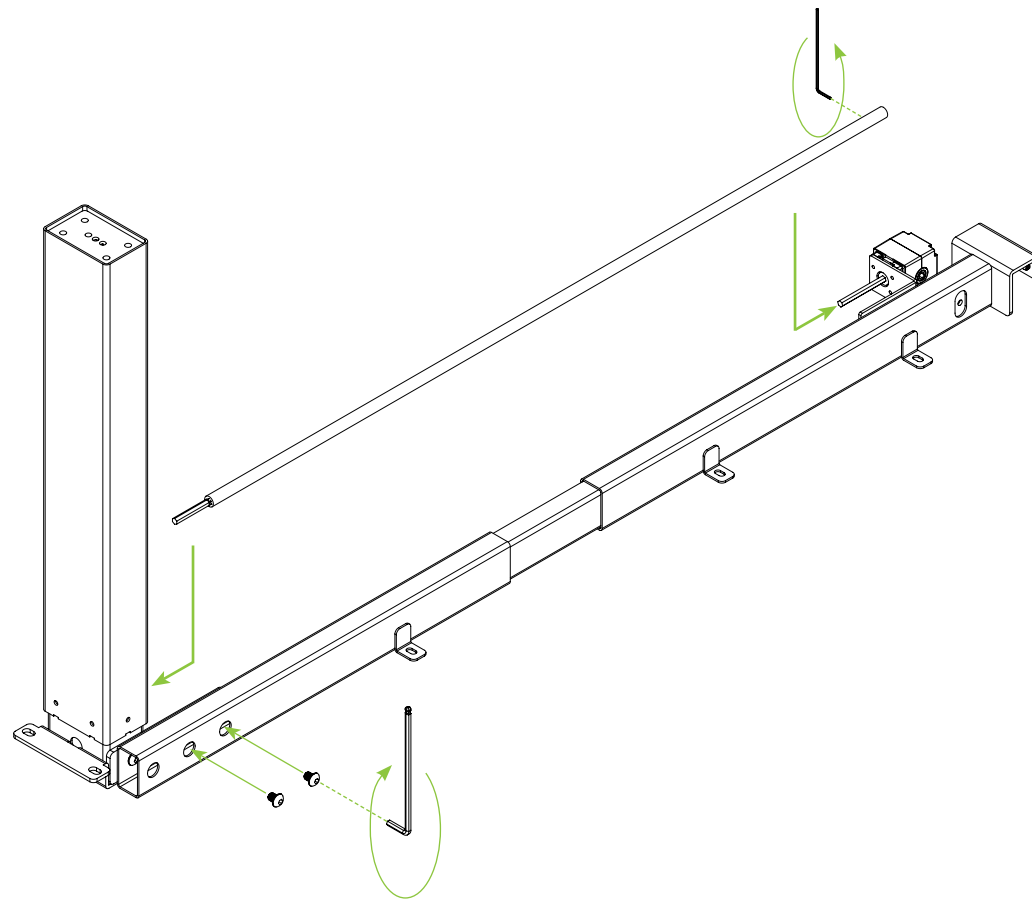


4 x M8x10

Step 1



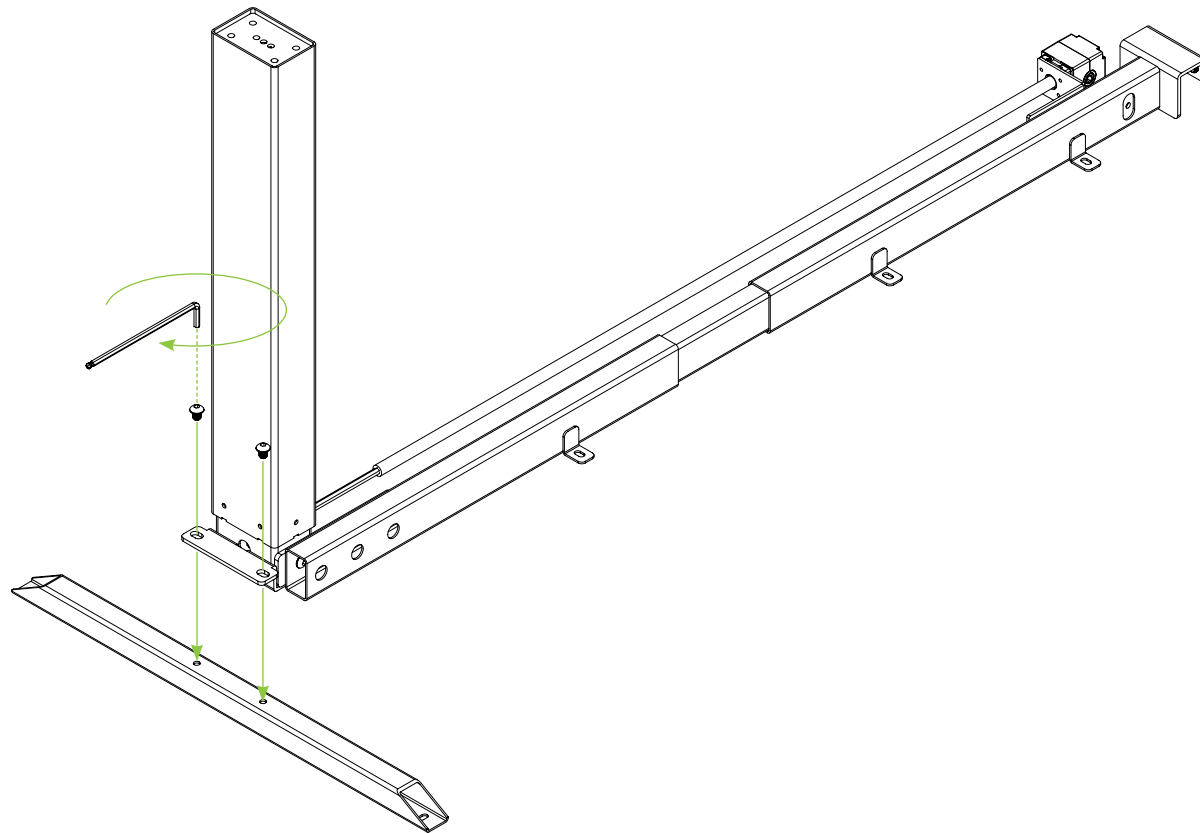
2 x M8x10



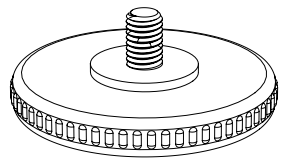
Step 2



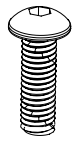
2 x M8x10



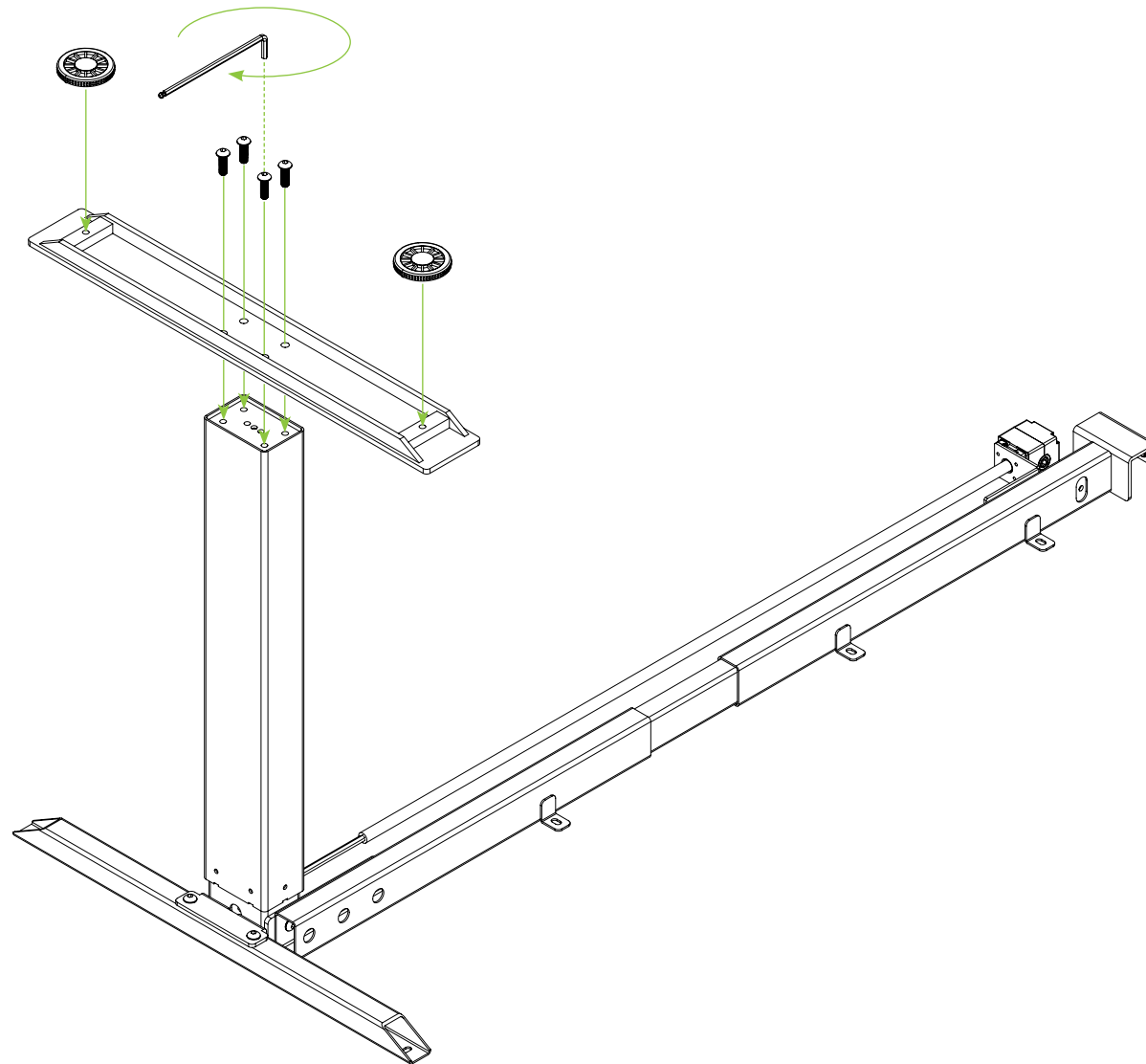
Step 3

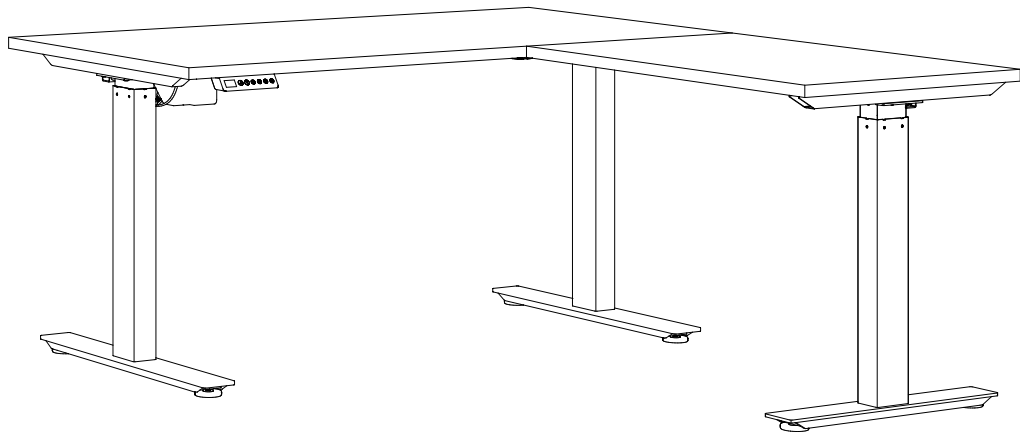


2 x Levelling Foot



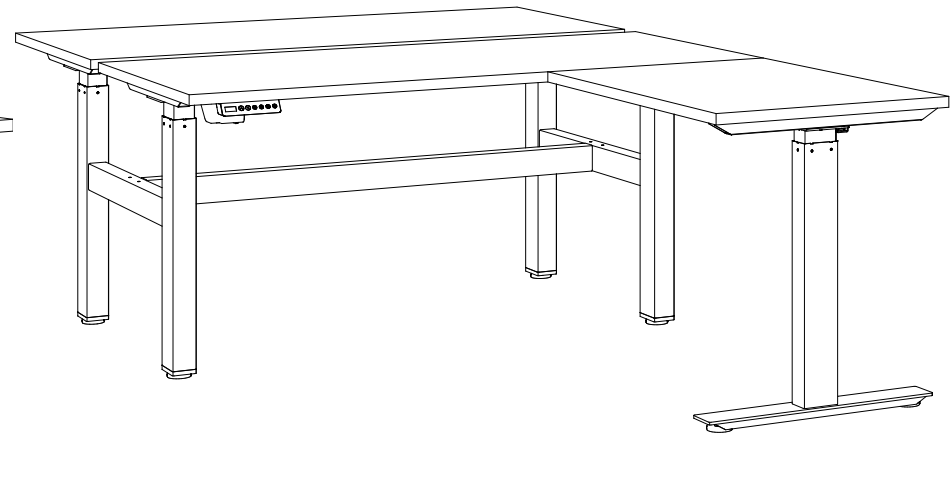
4 x M8x25





Option 1 - Electric 2 Column Right Hand Return for Single Desk

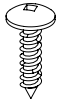
Go to page 7



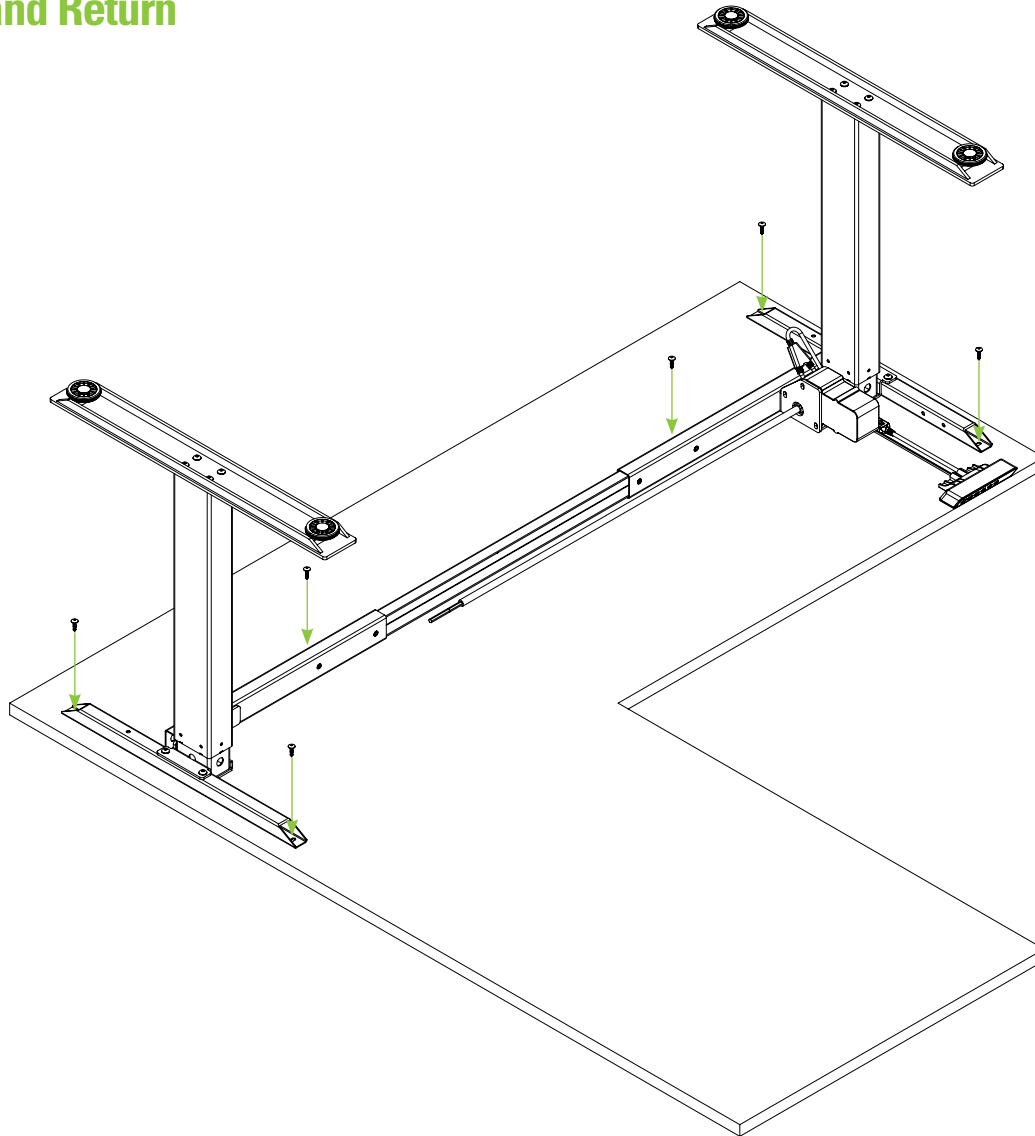
Option 2 - Electric 2 Column Right Hand Return for Double Desk

Go to page 11

Option 1: Single Desk and Return Step 4



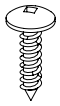
6 x ST5x23



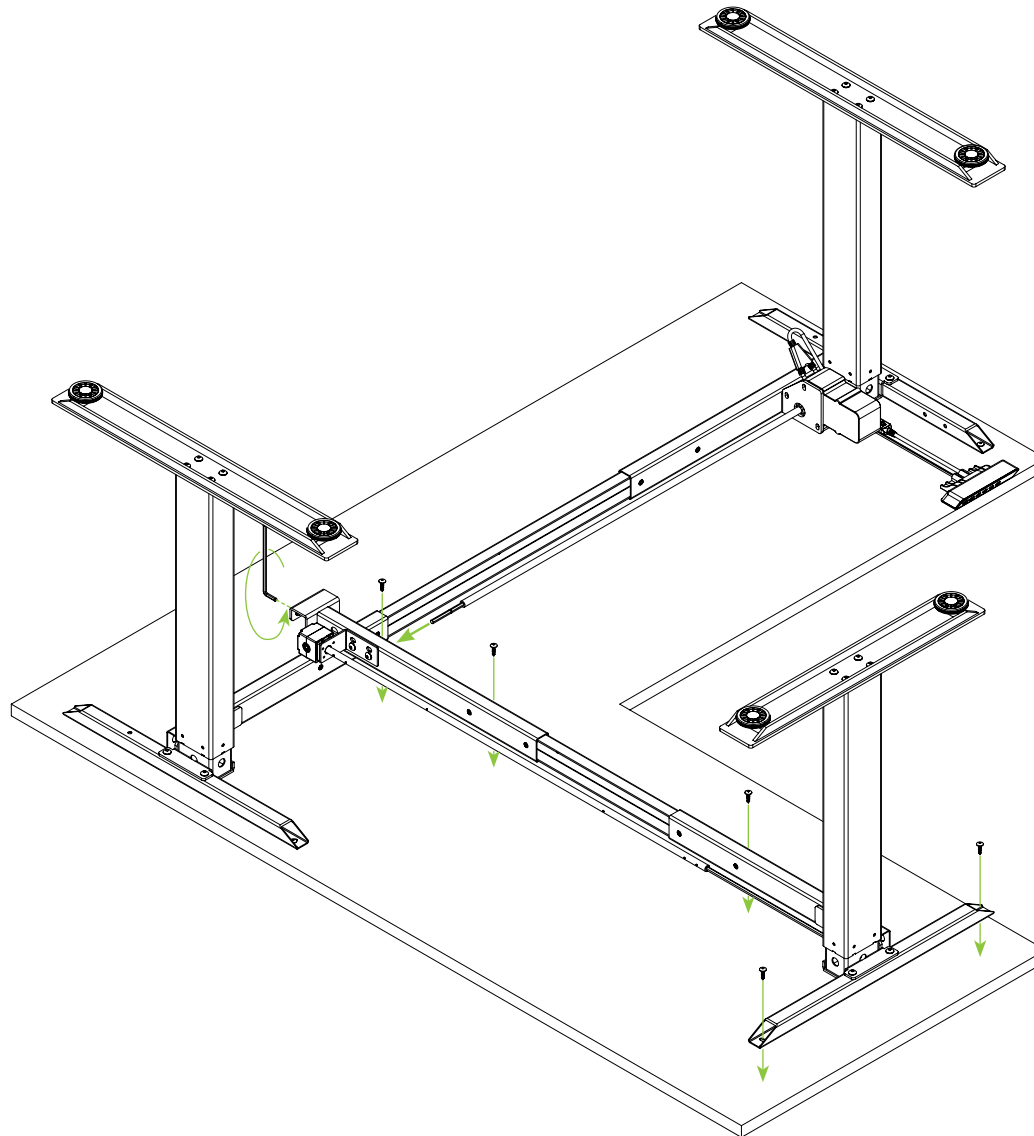
IMPORTANT!

REFER TO SETPS 1-4 OF SINGLE-SIDED
ELECTRIC 2 COLUMN DESK INSTALLATION
GUIDE TO ASSEMBLE DESK FRAME.

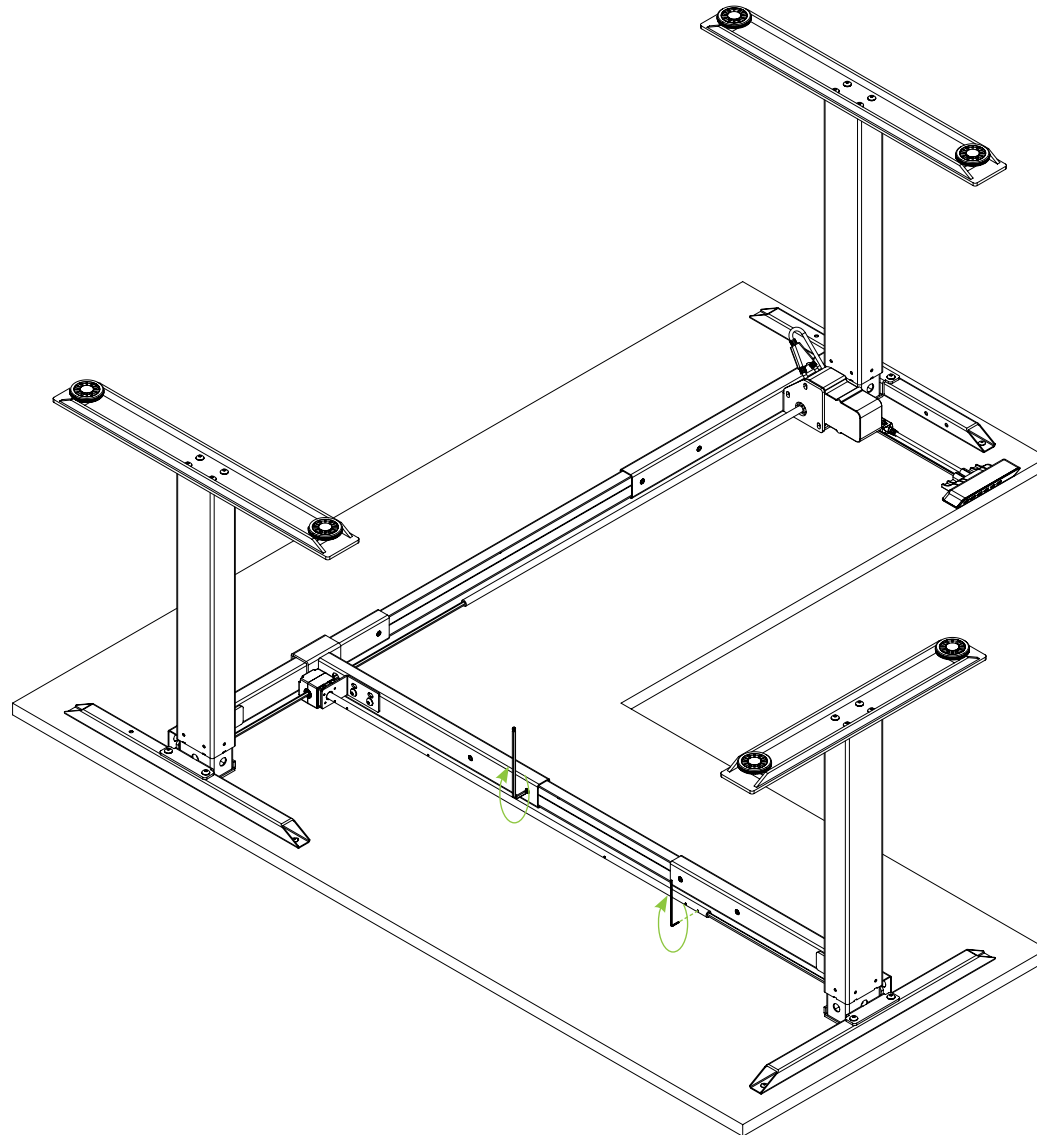
Step 5



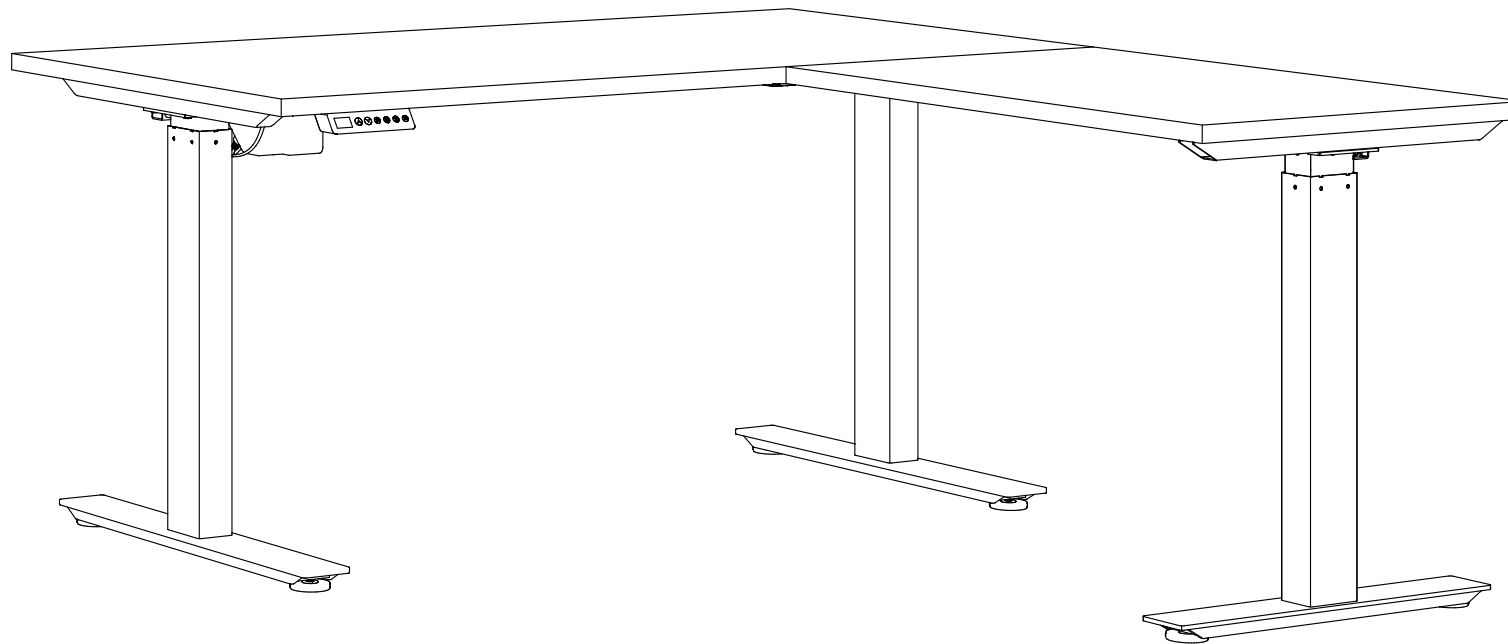
5 x ST5x23



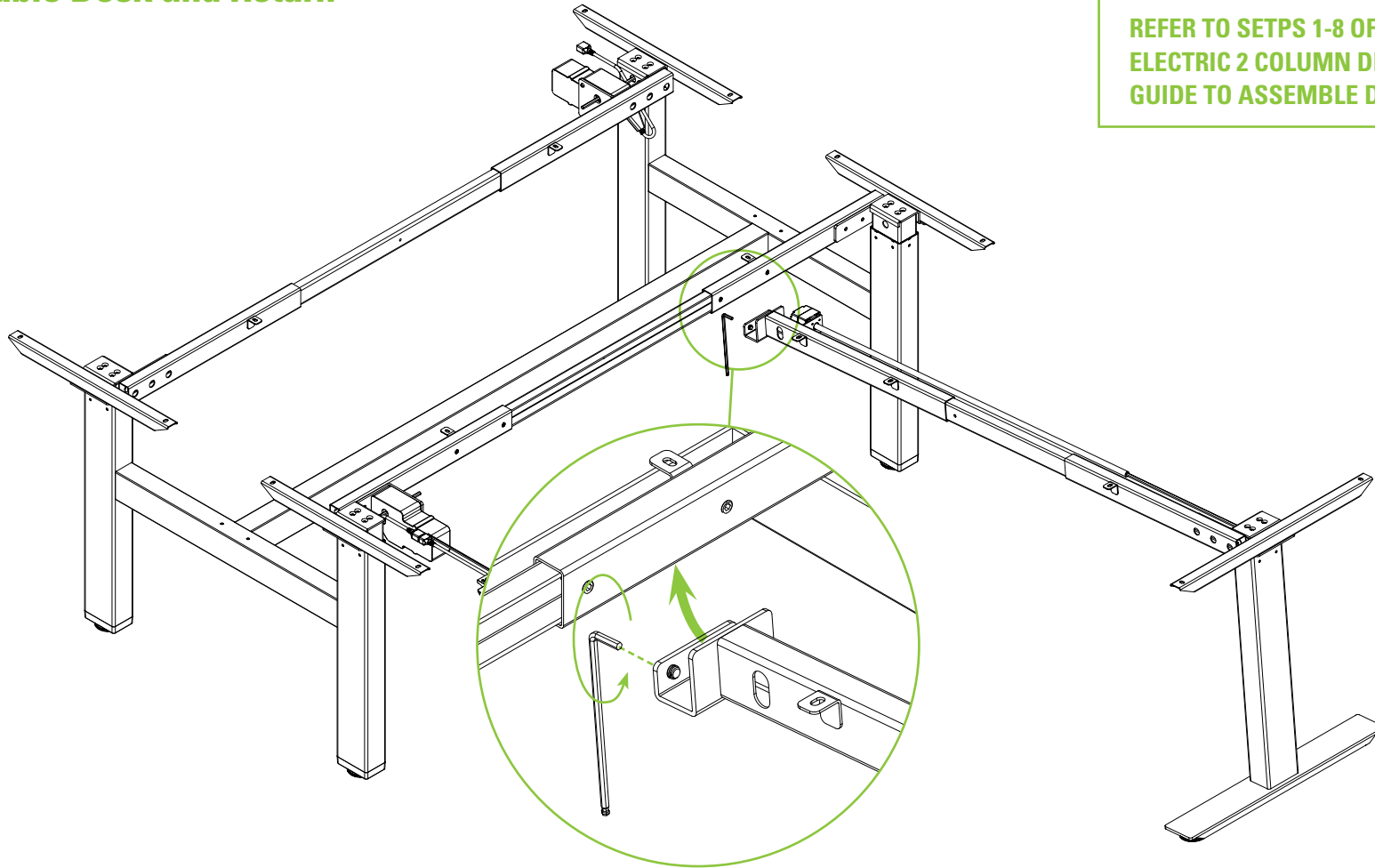
Step 6



Completed



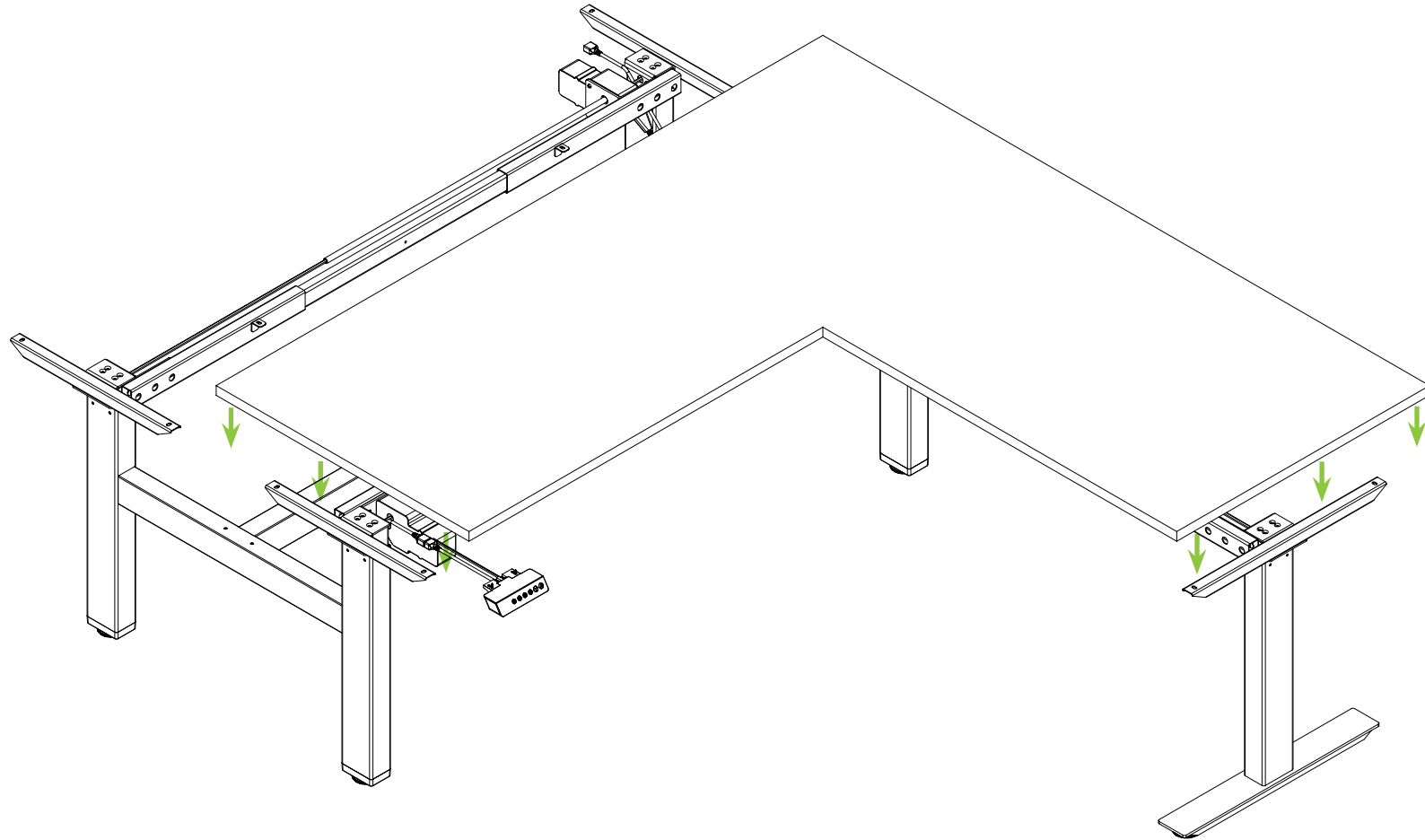
Option 2: Double Desk and Return Step 4



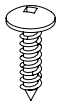
IMPORTANT!

REFER TO SETPS 1-8 OF DOUBLE-SIDED
ELECTRIC 2 COLUMN DESK INSTALLATION
GUIDE TO ASSEMBLE DESK FRAME.

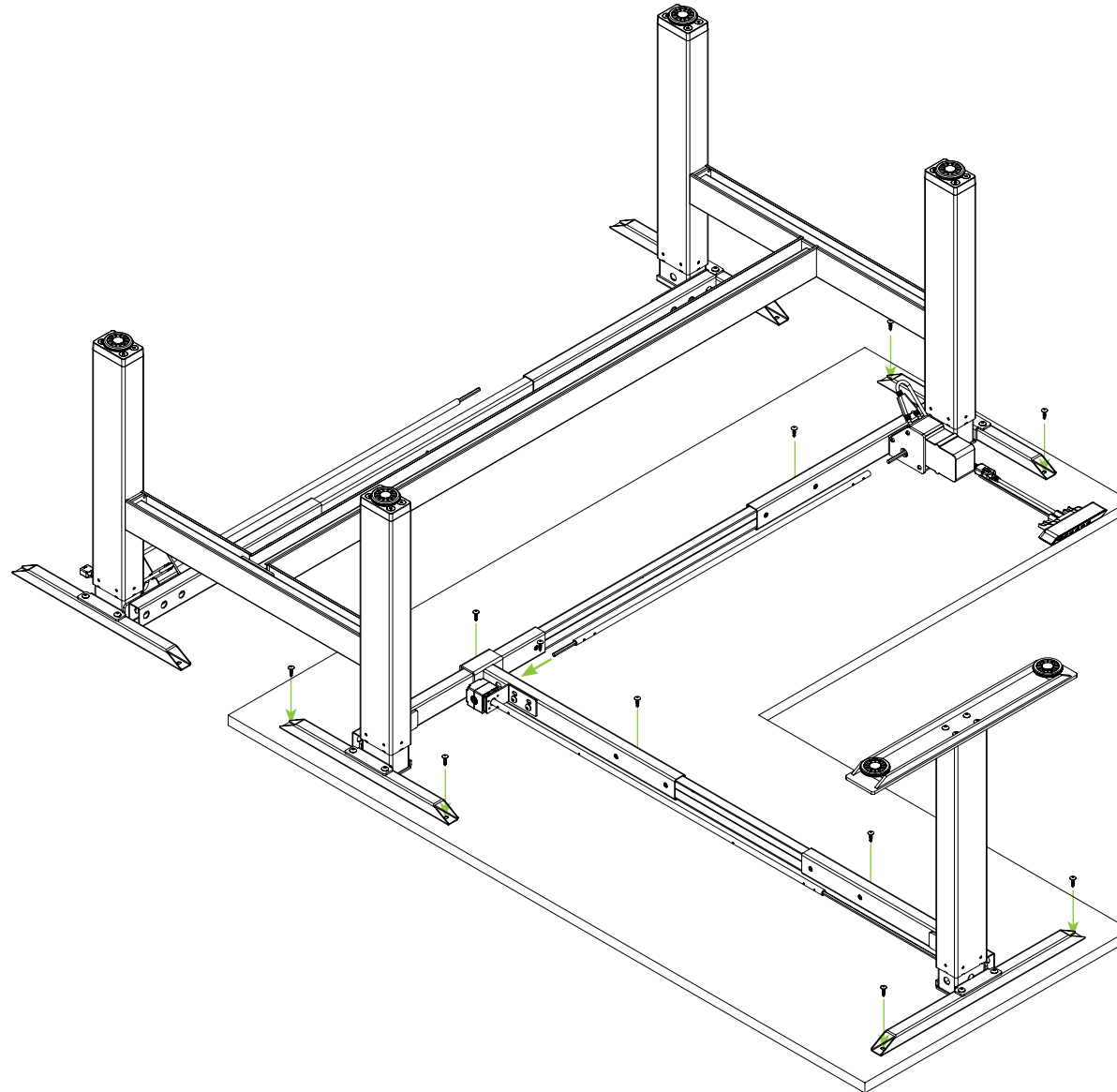
Step 5



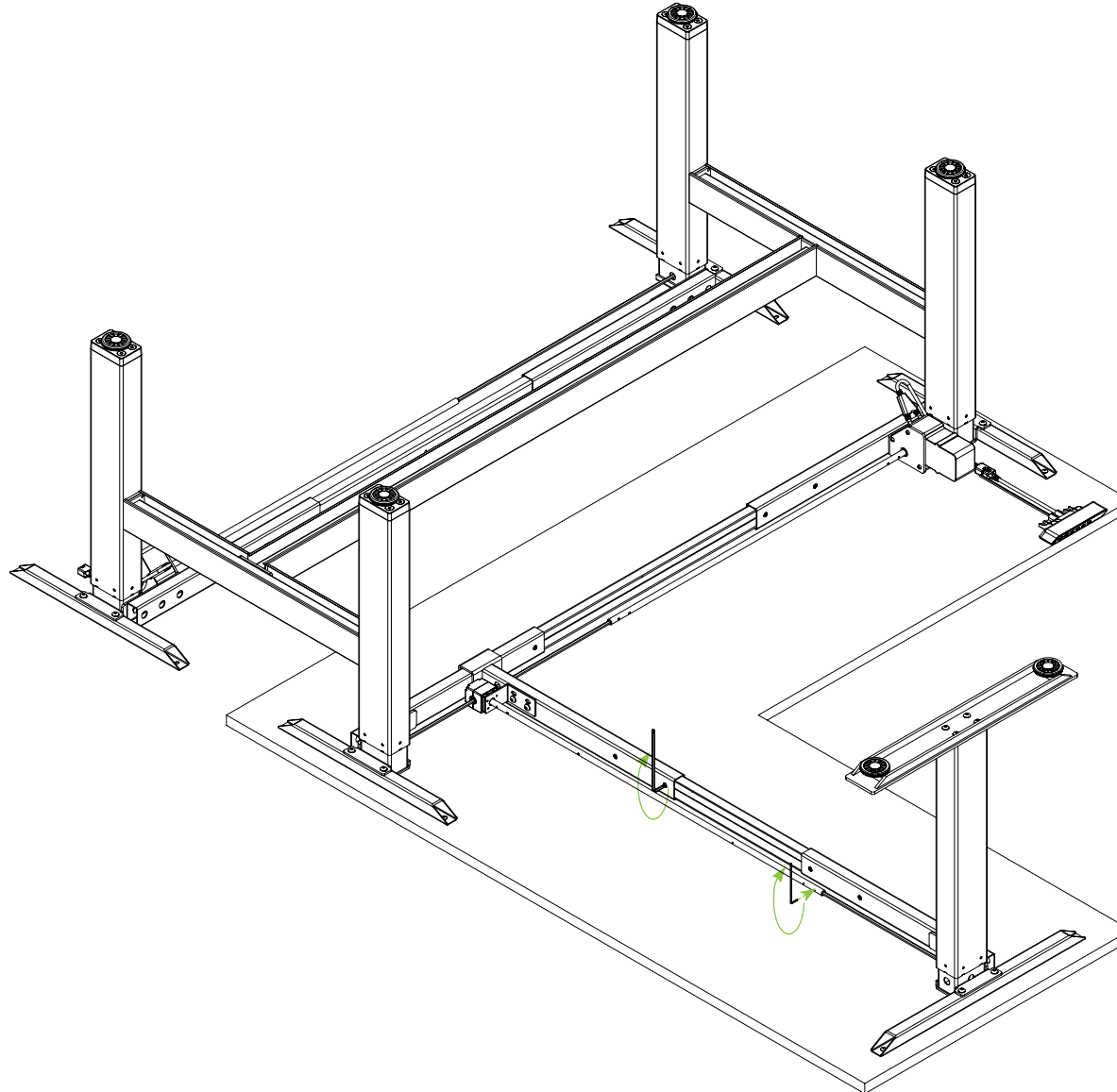
Step 6



11 x ST5x23



Step 7



Completed

