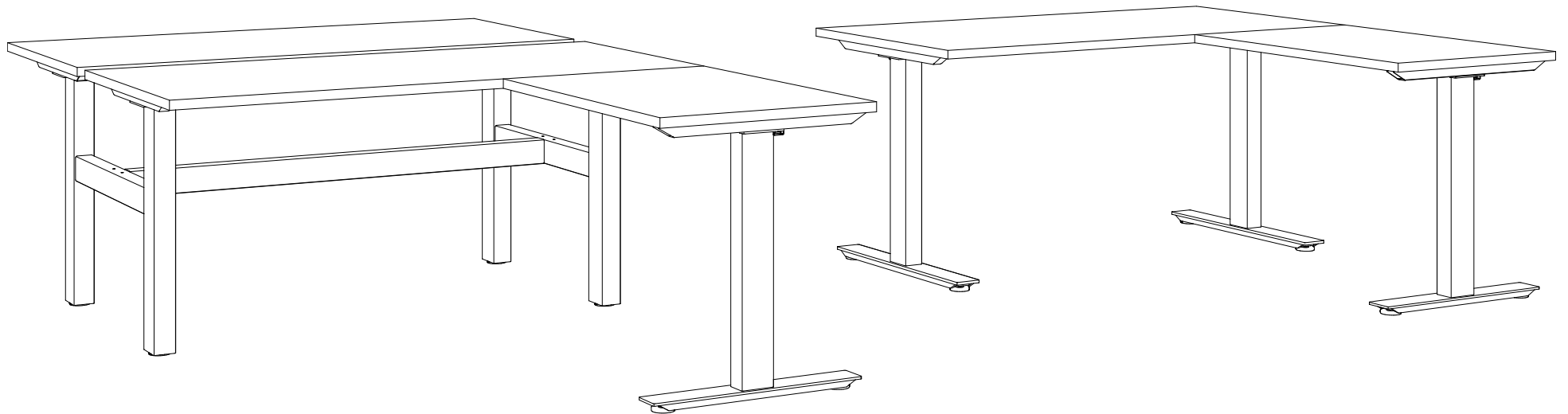


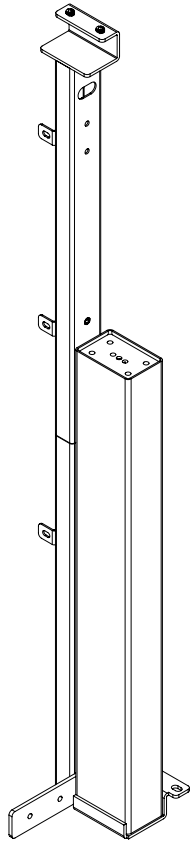
# Agile

Installation Guide - Fixed Height Right Hand Return For Single & Double Desk

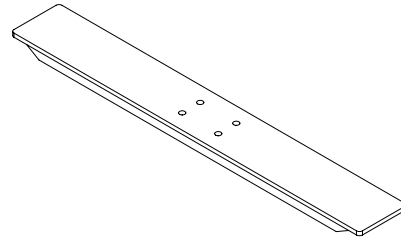
---



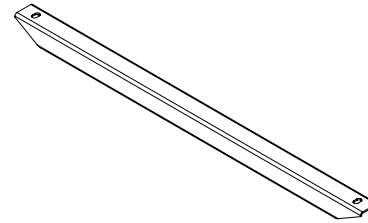
### Parts:



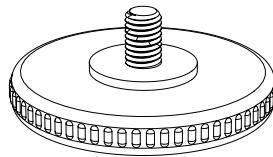
1 x Return Leg



1 x Foot



1 x Support Bar



2 x Levelling Foot



4 x M8x25



5 x ST5x23

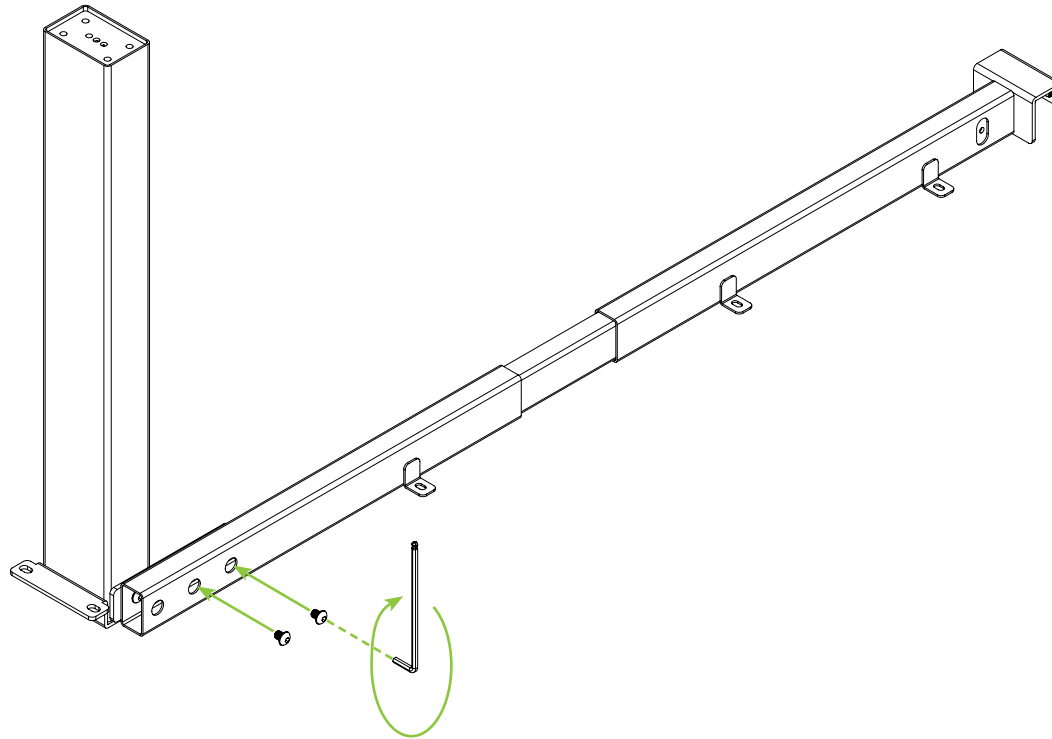


4 x M8x10

### Step 1



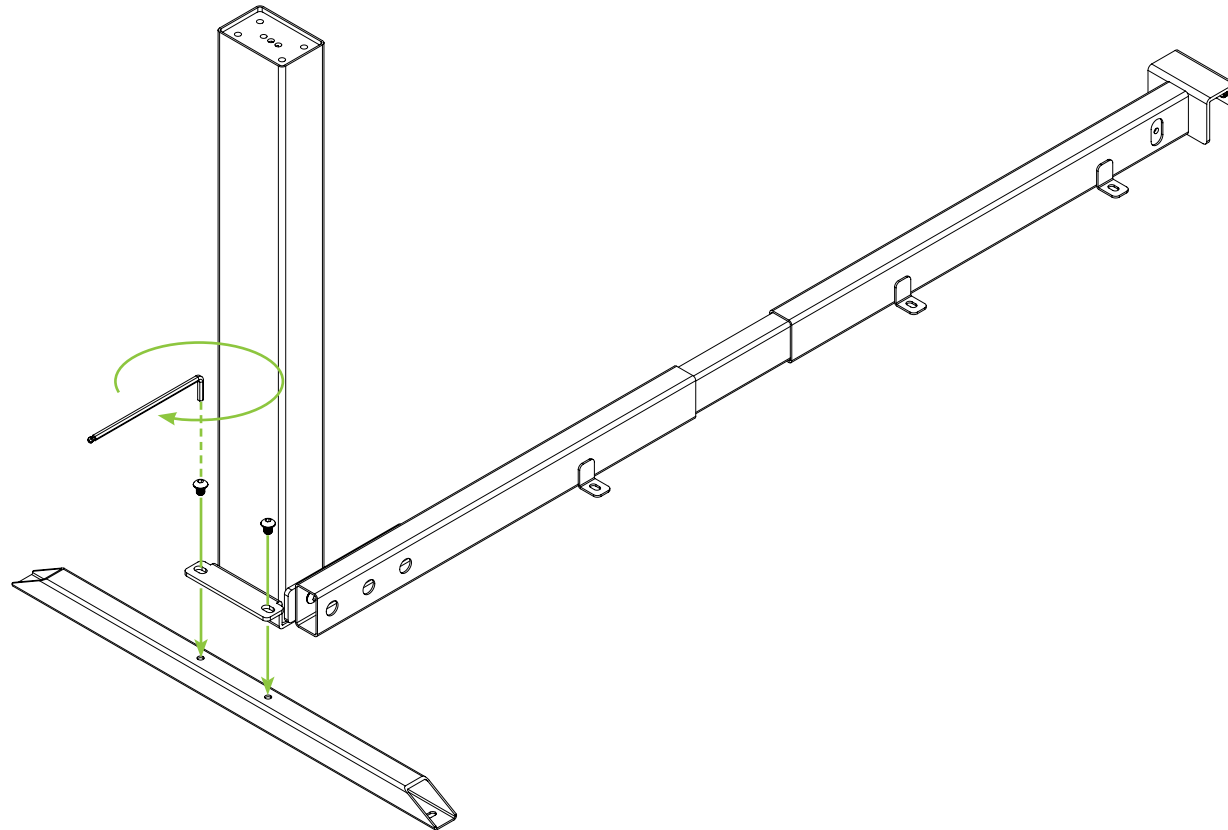
2 x M8x10



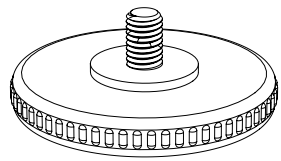
### Step 2



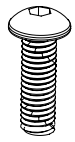
2 x M8x10



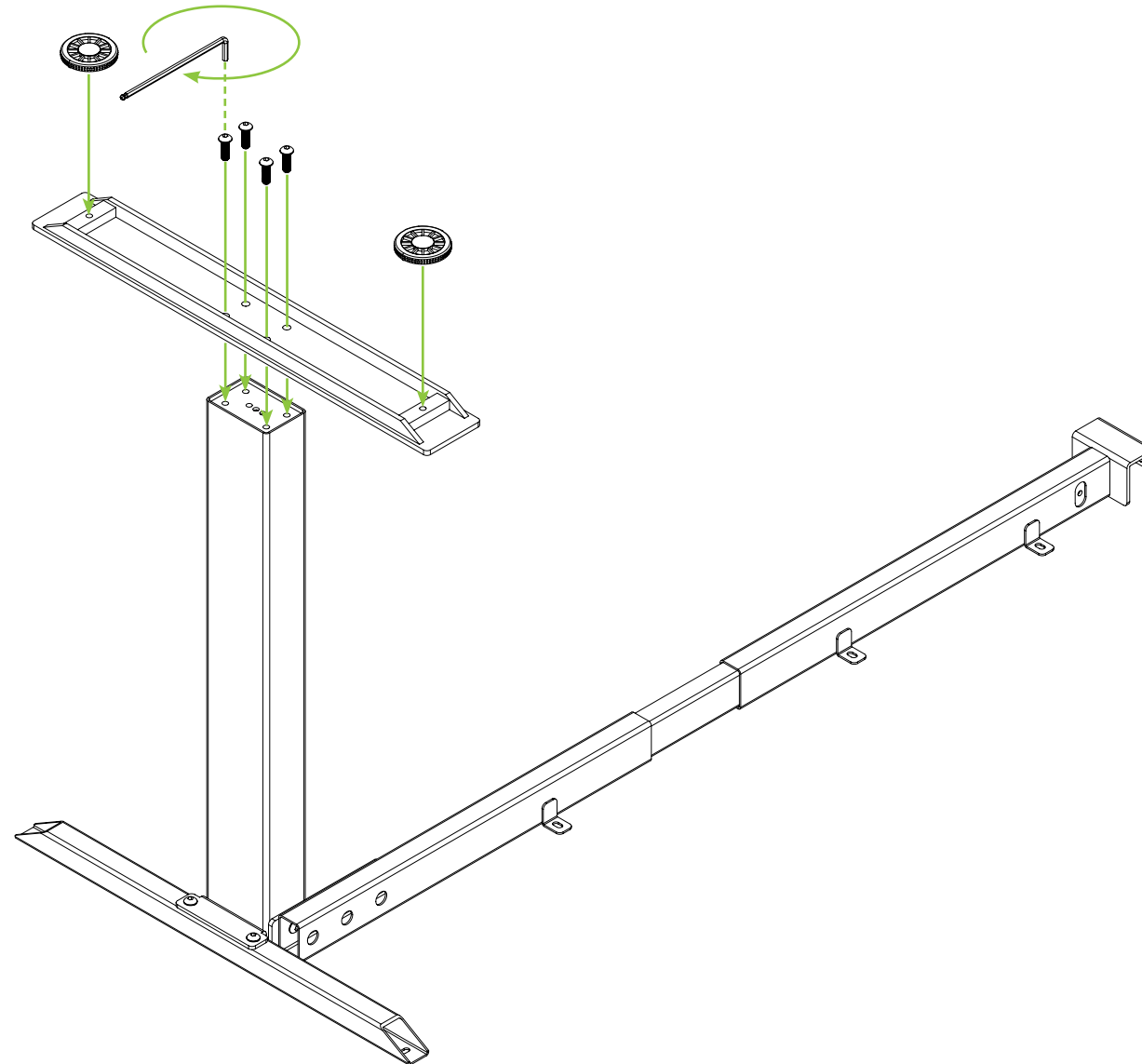
### Step 3

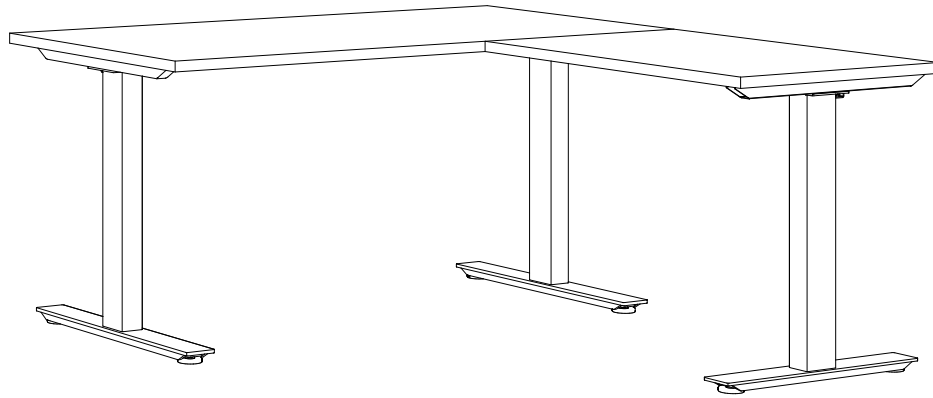


2 x Levelling Foot



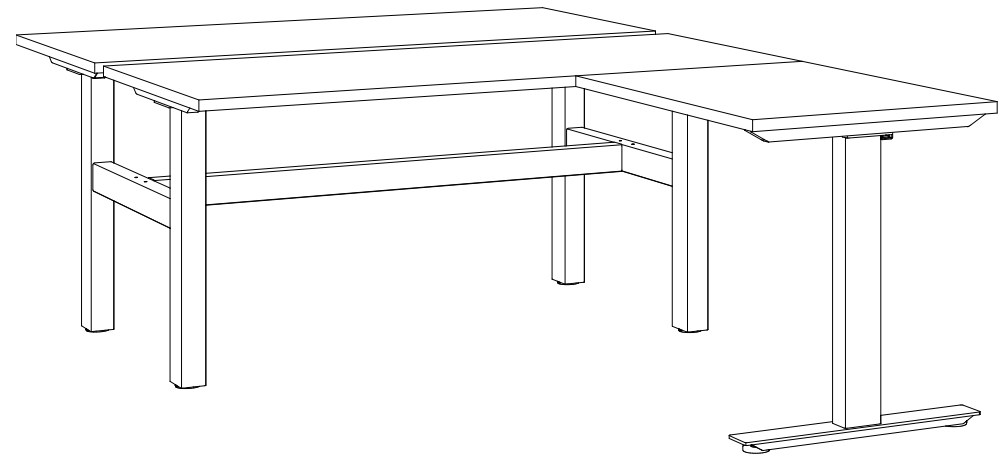
4 x M8x25





**Option 1 - Fixed Height Right Hand Return for Single Desk**

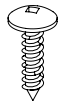
Go to page 7



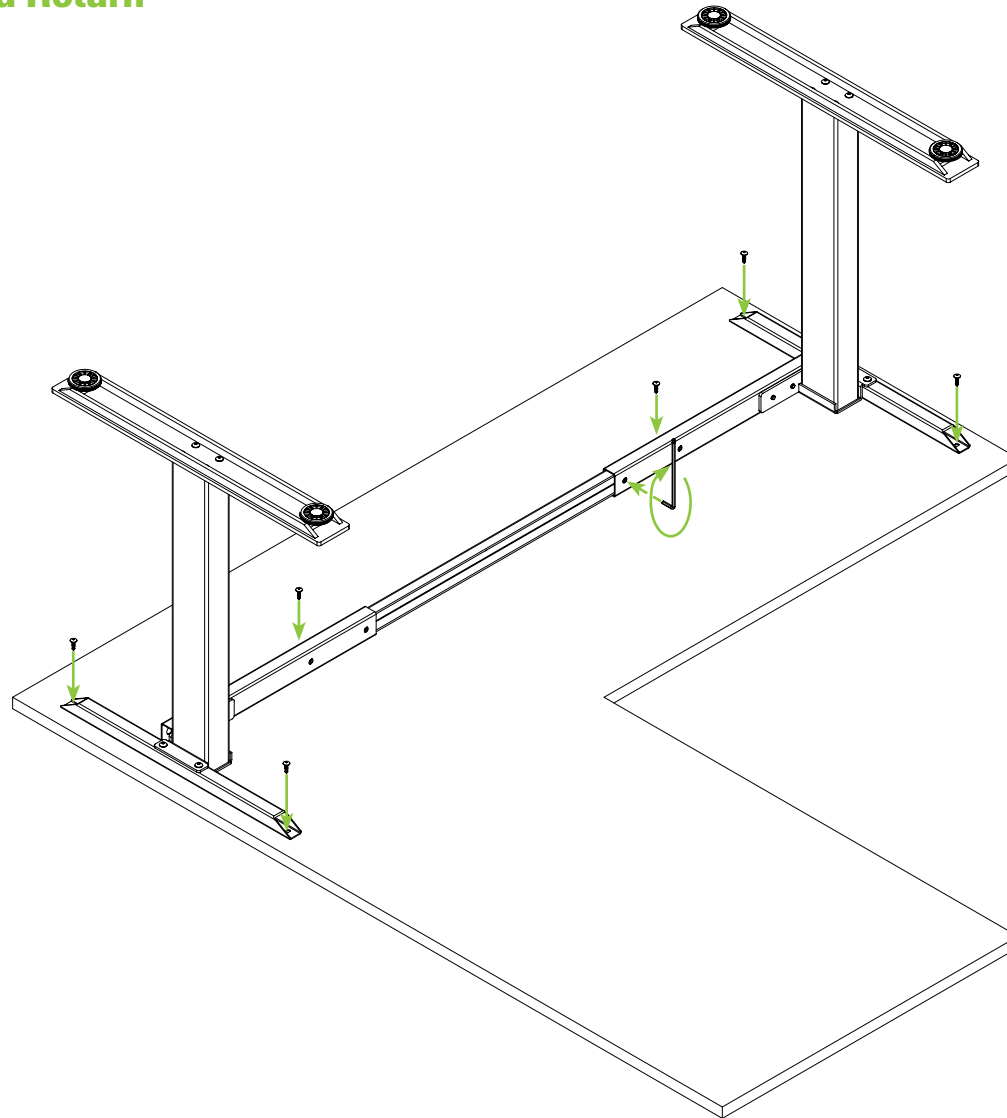
**Option 2 - Fixed Height Right Hand Return for Double Desk**

Go to page 11

### Option 1: Single Desk and Return Step 4

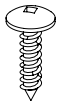


6 x ST5x23

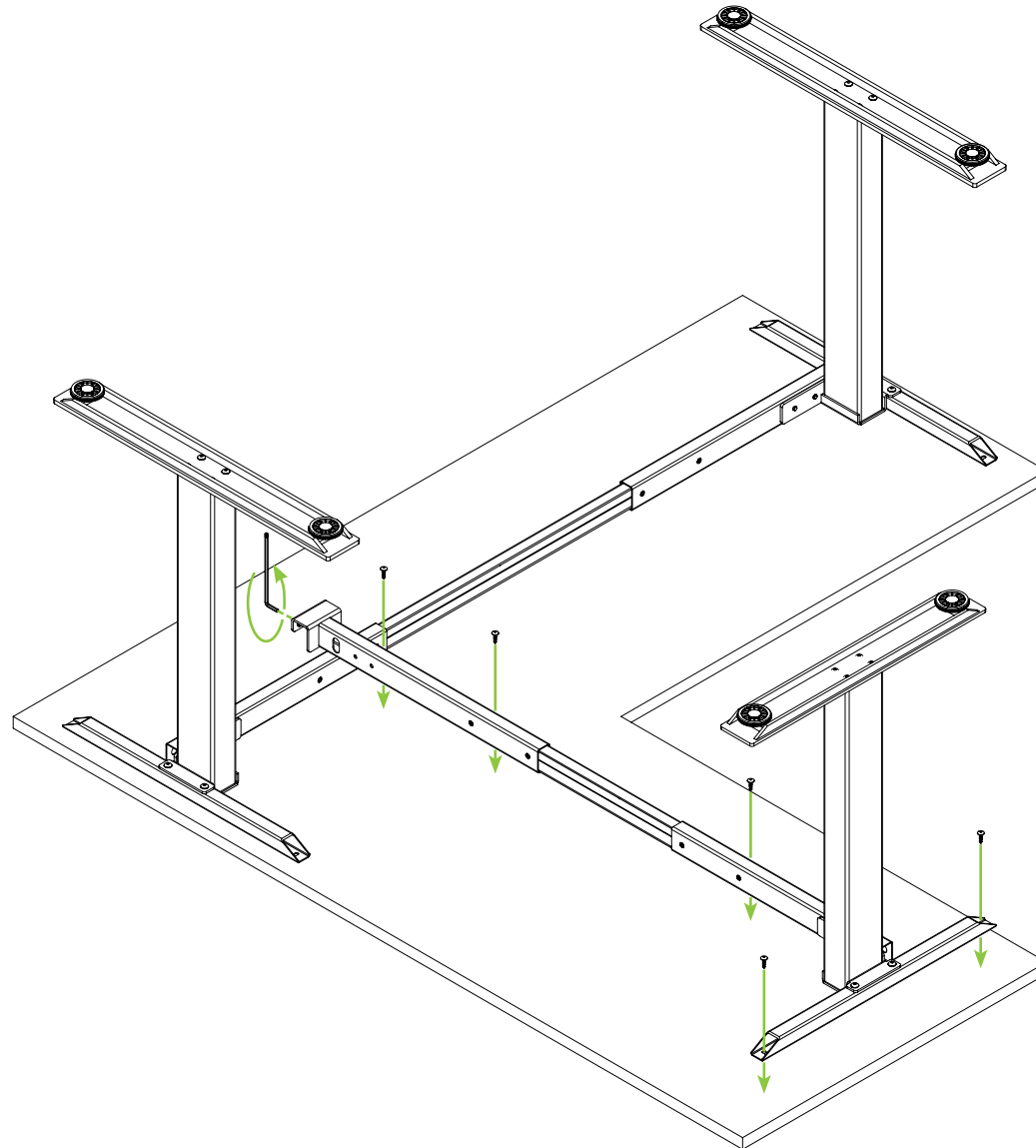


**IMPORTANT!**  
REFER TO SETPS 1-4 OF SINGLE-SIDED FIXED HEIGHT DESK INSTALLATION GUIDE TO ASSEMBLE DESK FRAME.

### Step 5

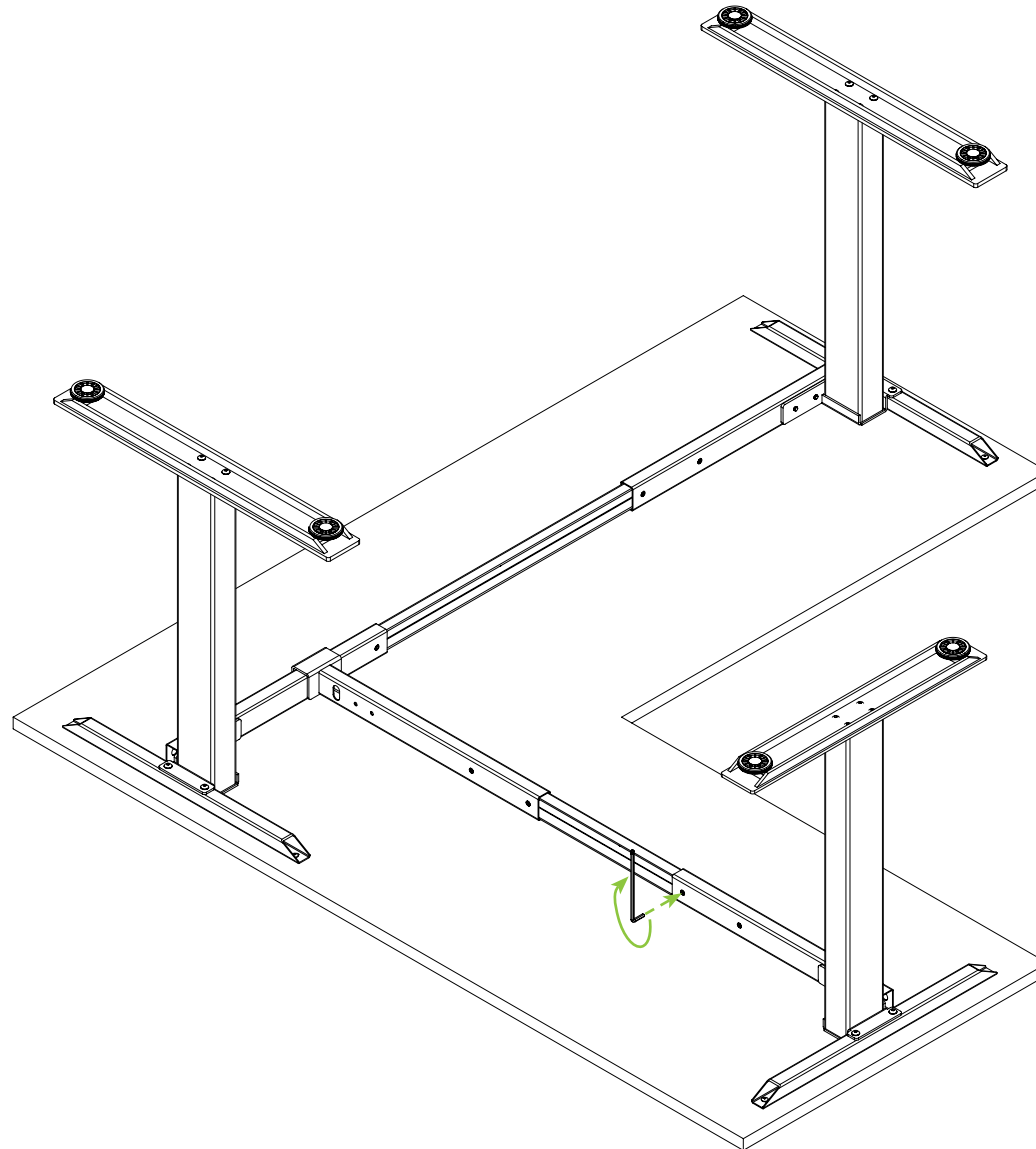


5 x ST5x23

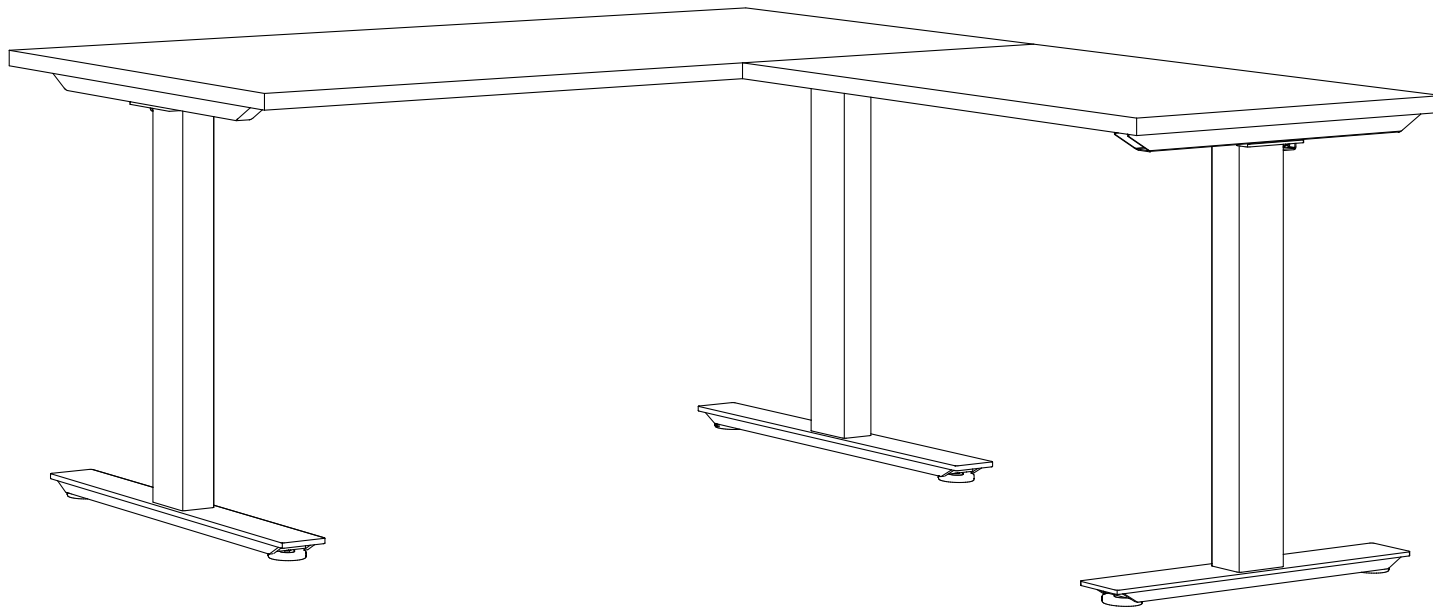




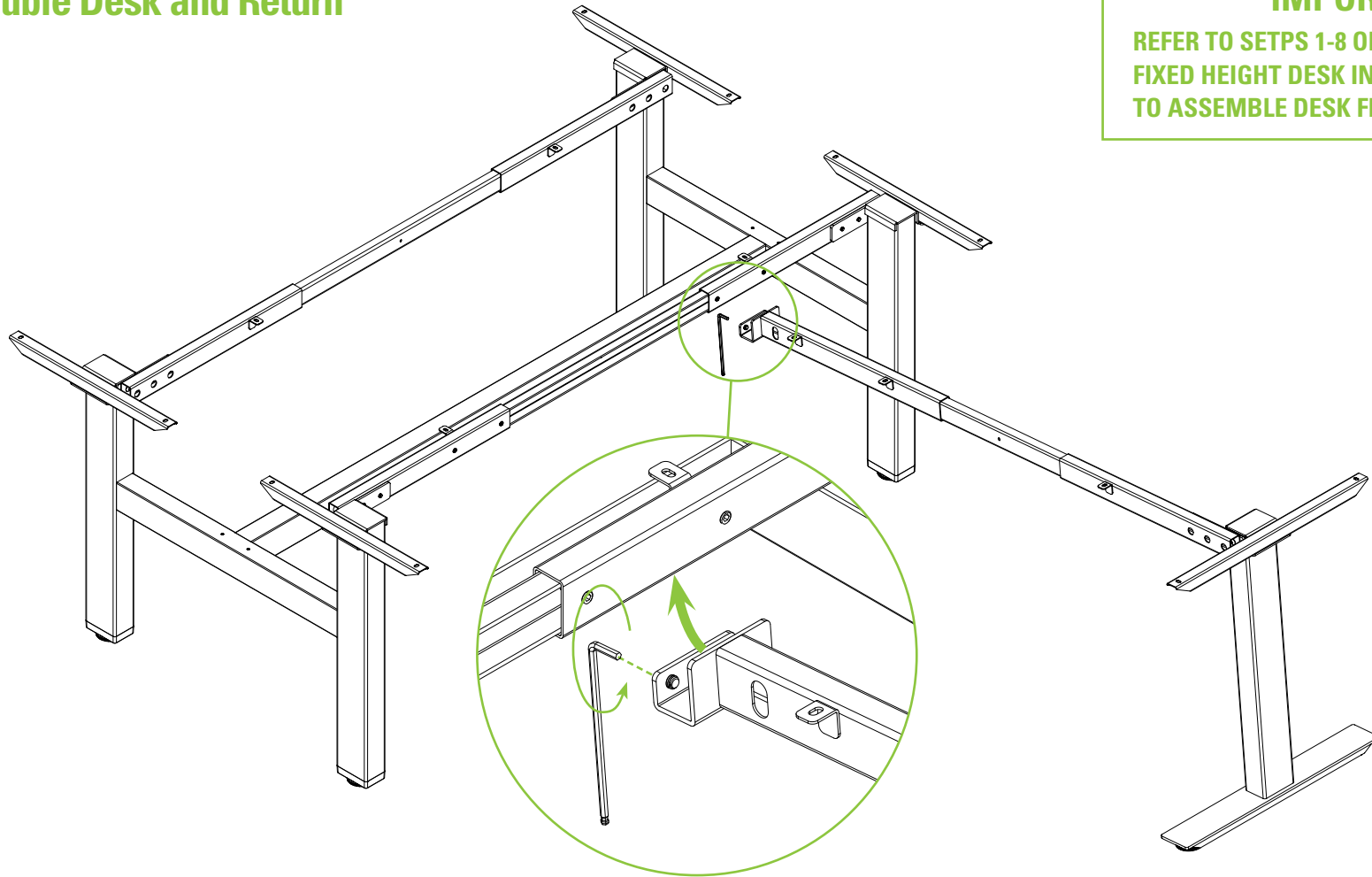
### Step 6



## Completed



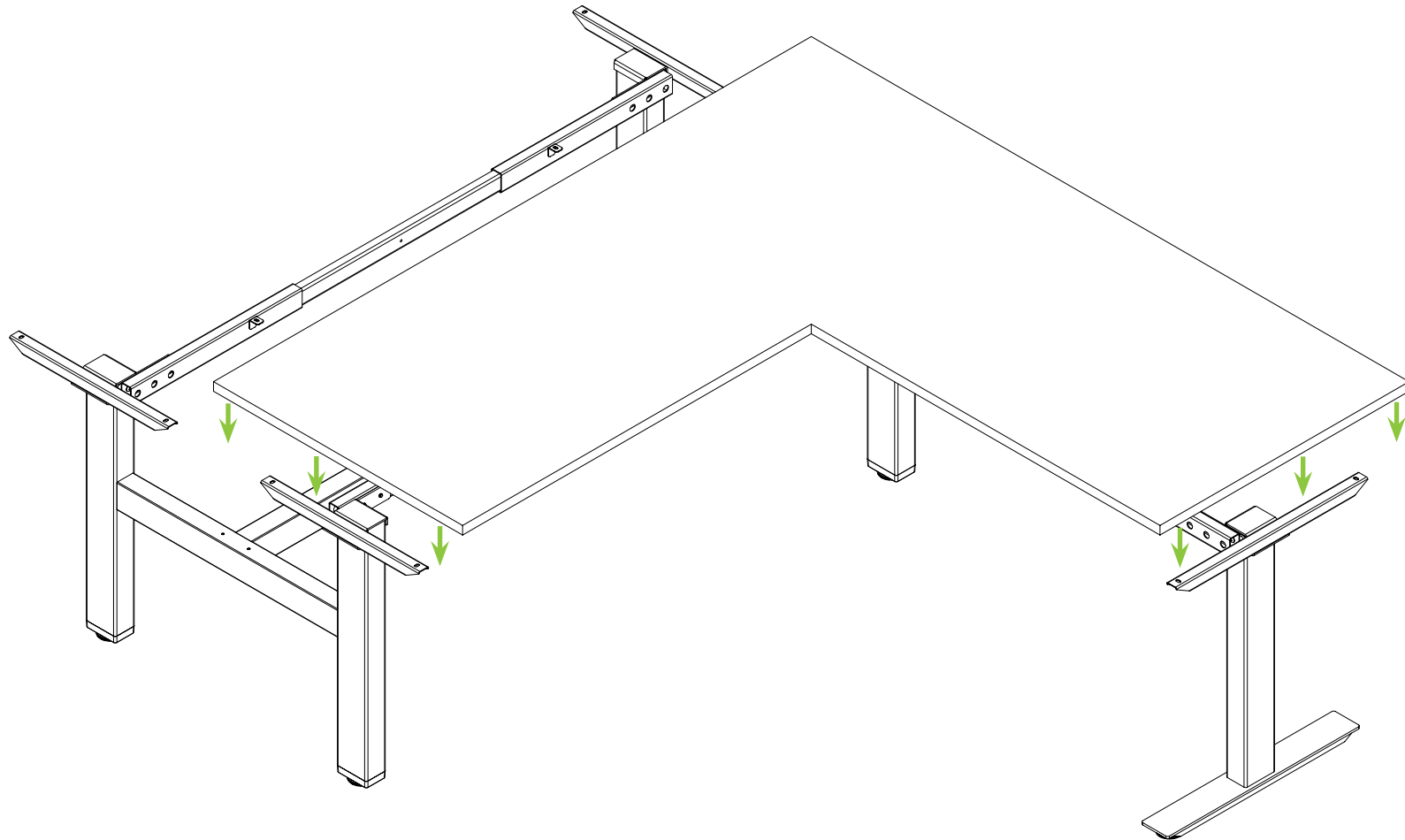
## Option 2: Double Desk and Return Step 4



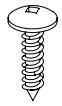
### IMPORTANT!

REFER TO SETPS 1-8 OF DOUBLE-SIDED  
FIXED HEIGHT DESK INSTALLATION GUIDE  
TO ASSEMBLE DESK FRAME.

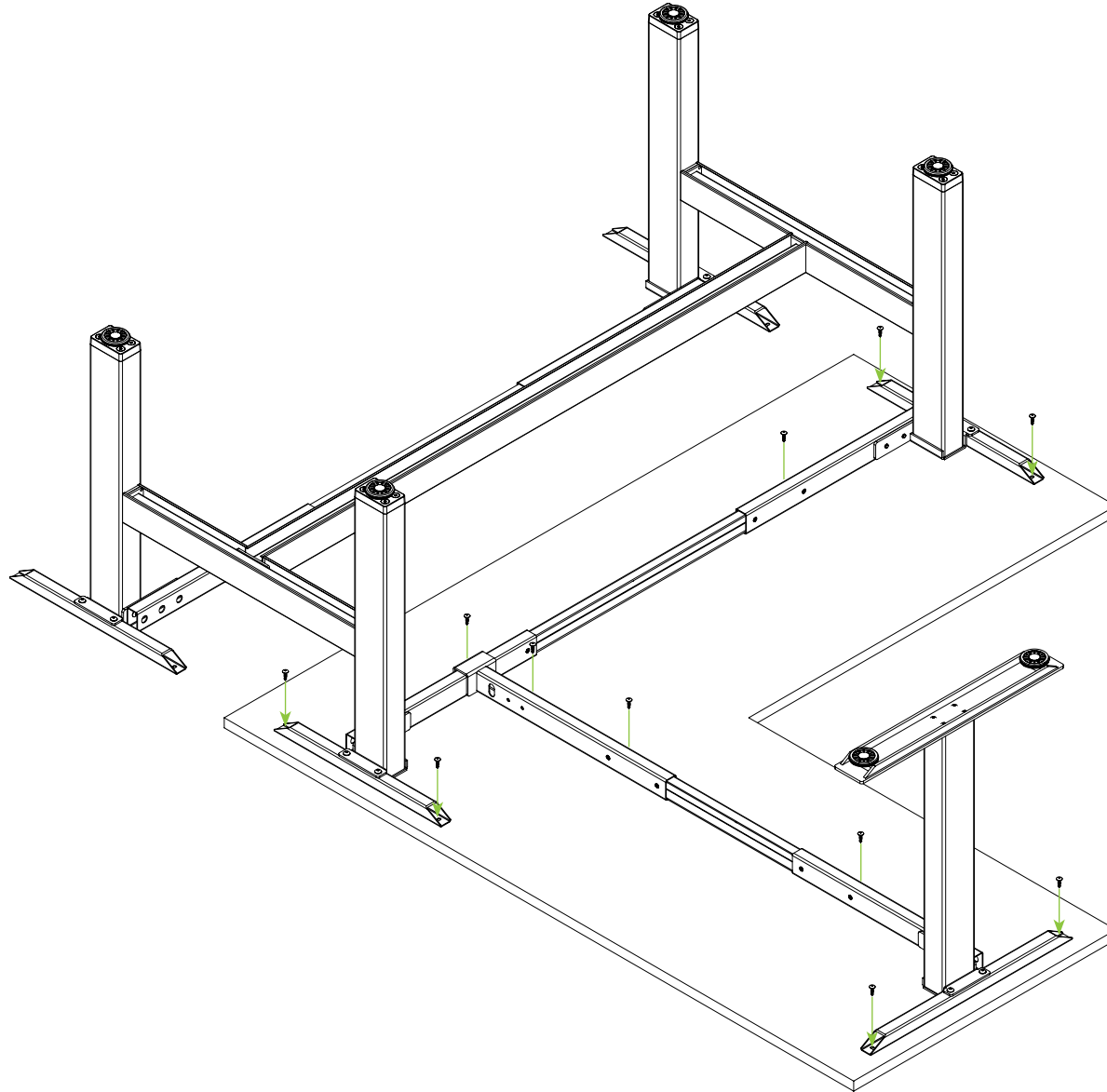
## Step 5



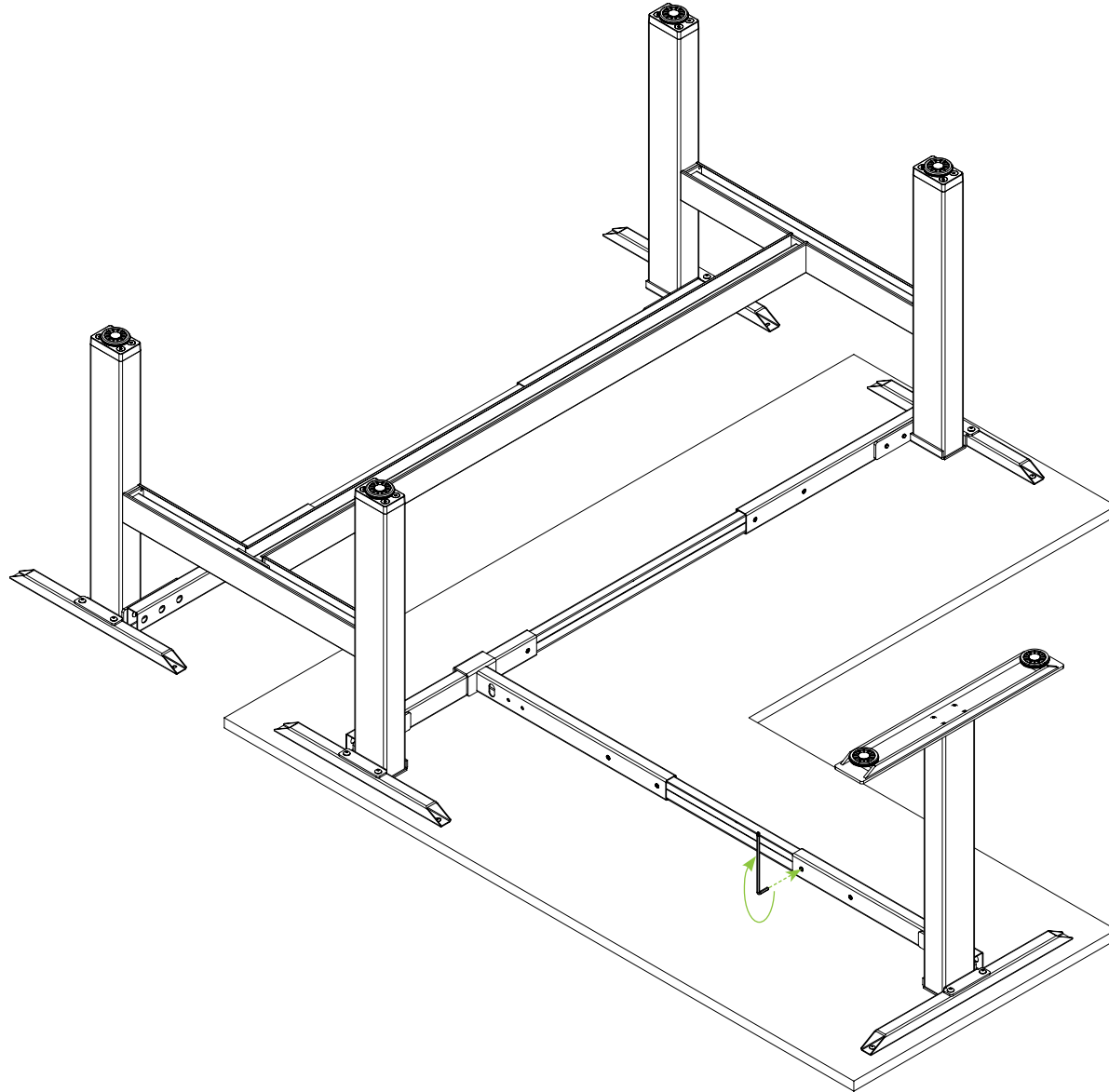
### Step 6



11 x ST5x23



### Step 7



## Completed

