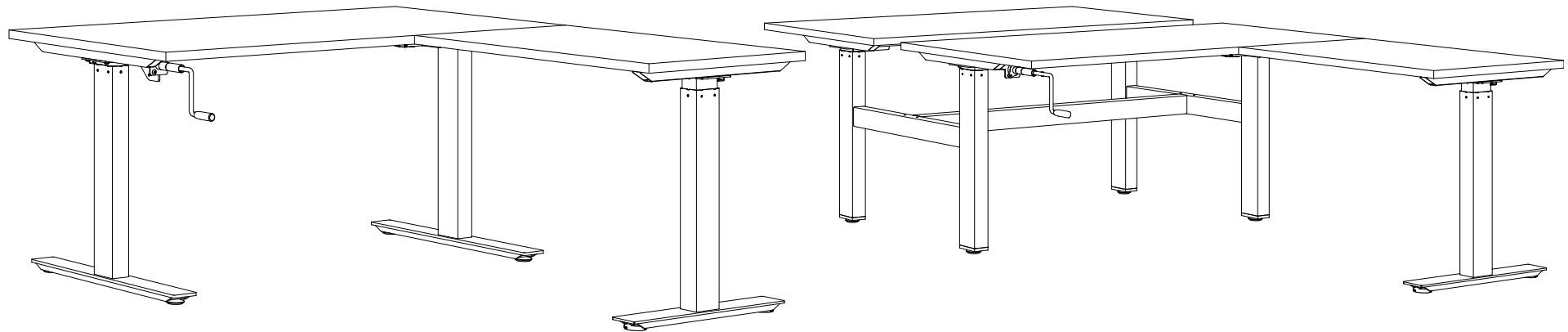


# Agile

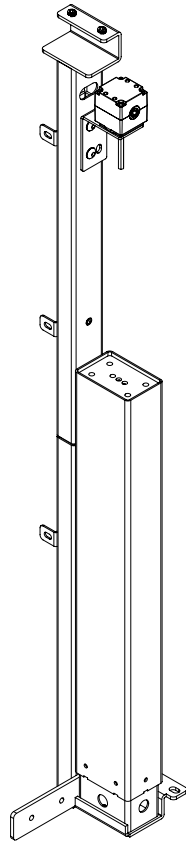


Installation Guide - Winder 2 Column Right Hand Return For Single & Double Desk

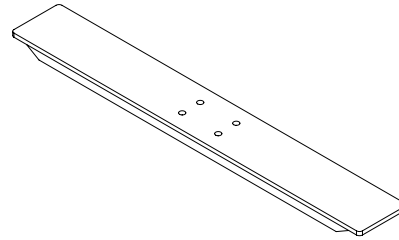
---



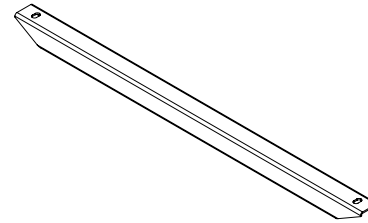
### Parts:



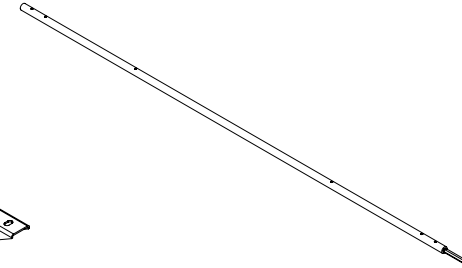
1 x Return Leg



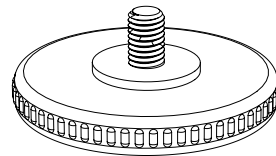
1 x Foot



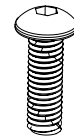
1 x Support Bar



1 x Drive Bar



2 x Levelling Foot



4 x M8x25



5 x ST5x23

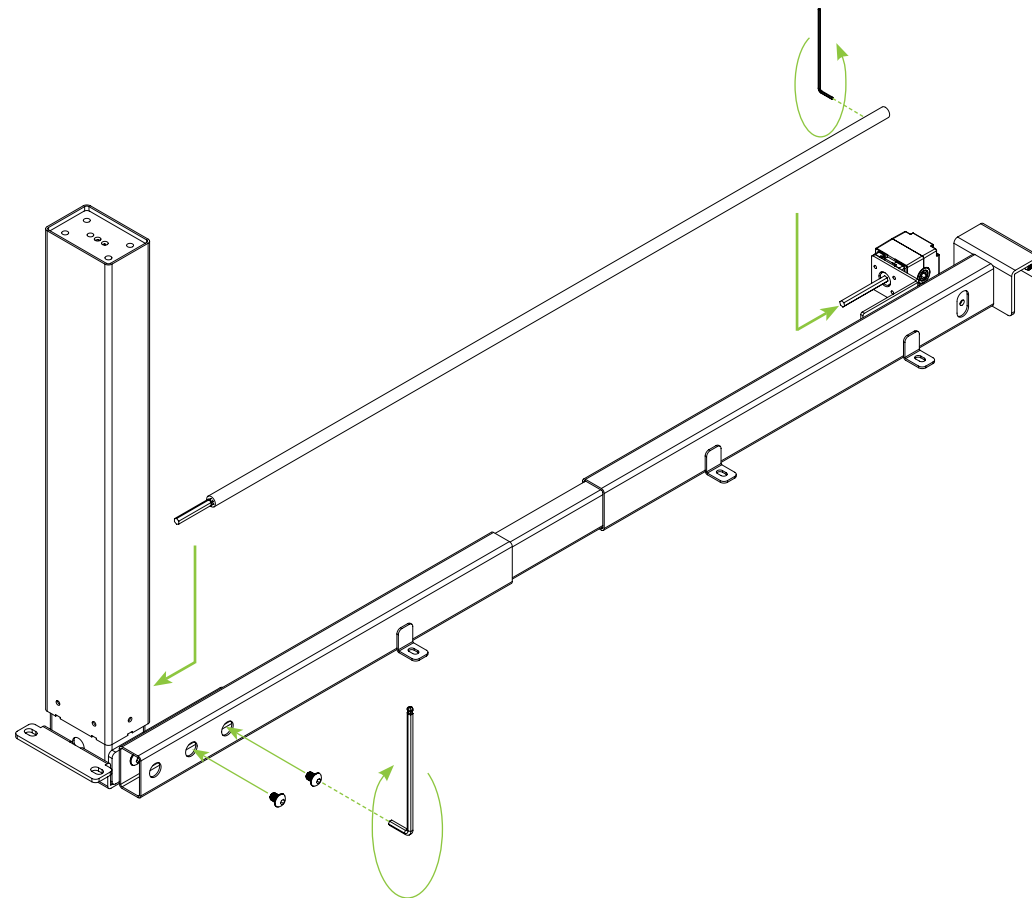


4 x M8x10

### Step 1



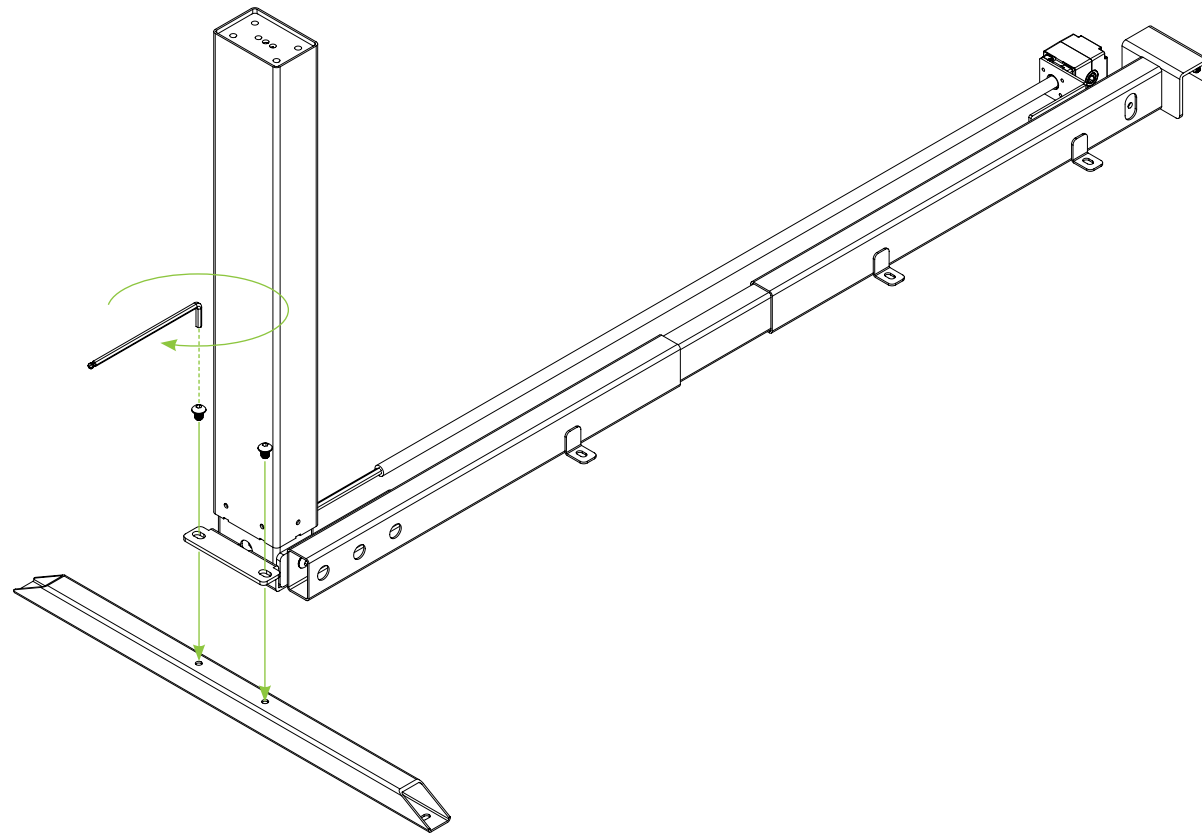
2 x M8x10



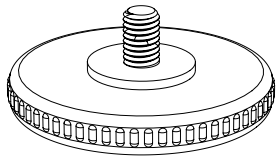
### Step 2



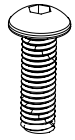
2 x M8x10



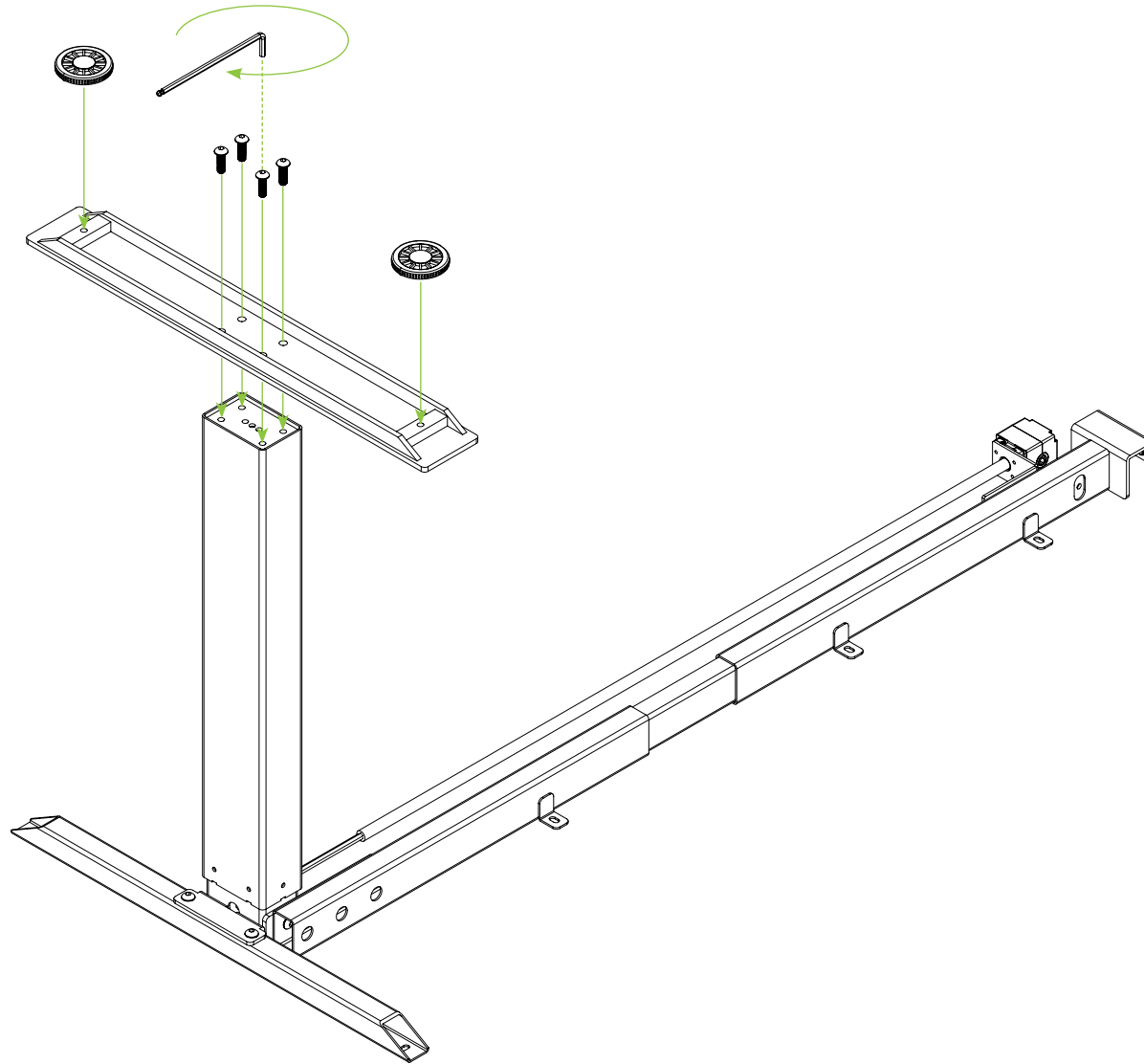
### Step 3

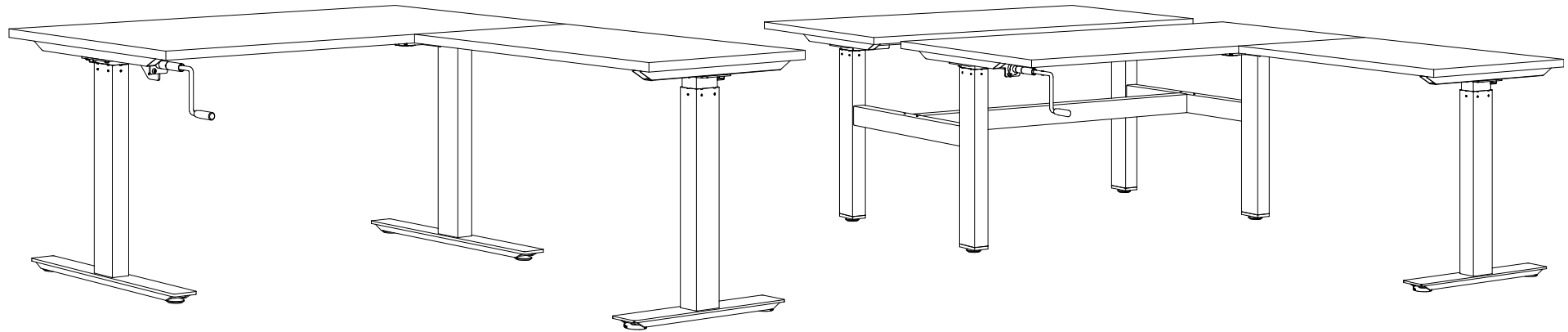


2 x Levelling Foot



4 x M8x25





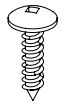
**Option 1 - Winder 2 Column Right Hand Return for Single Desk**

Go to page 7

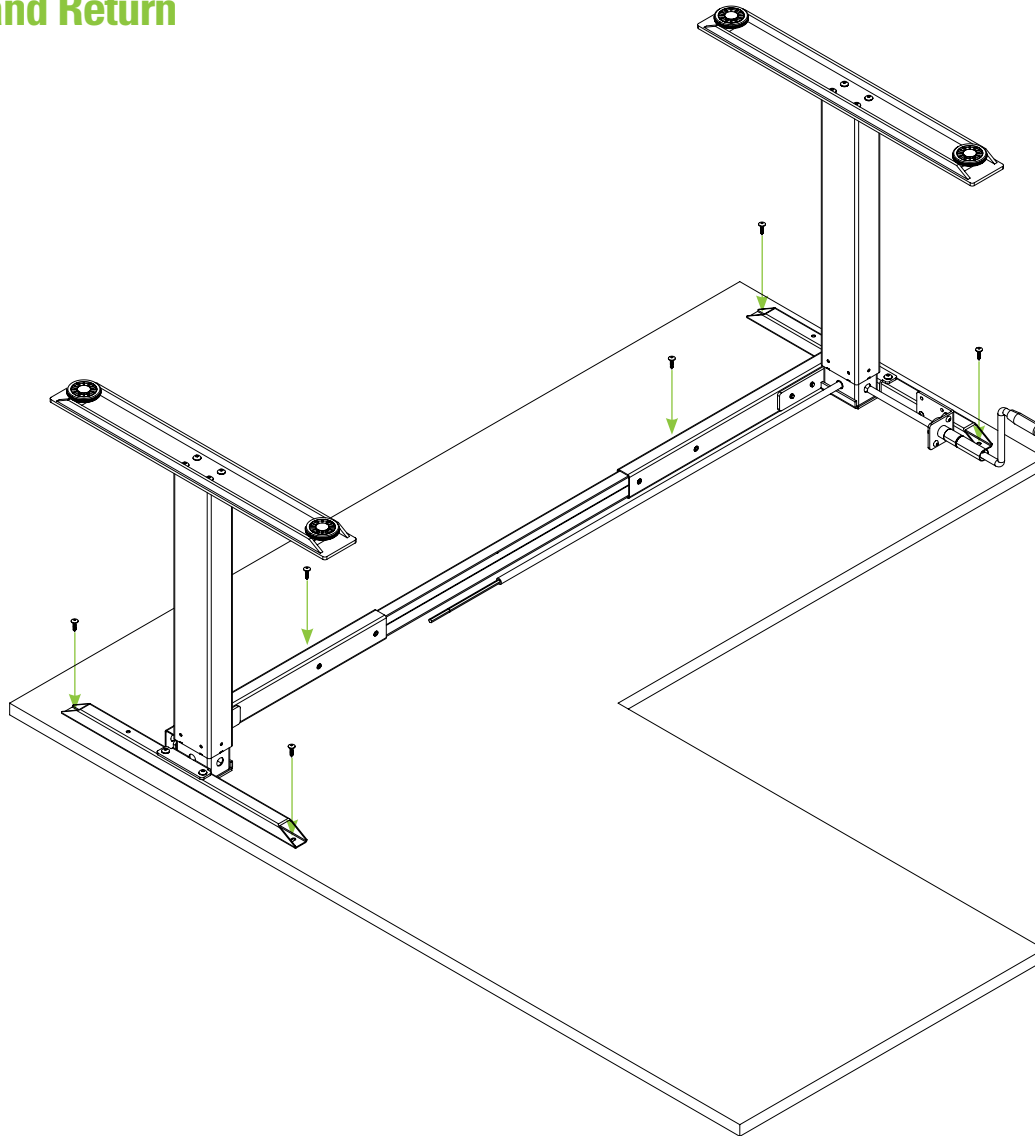
**Option 2 - Winder 2 Column Right Hand Return for Double Desk**

Go to page 11

### Option 1: Single Desk and Return Step 4

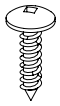


6 x ST5x23

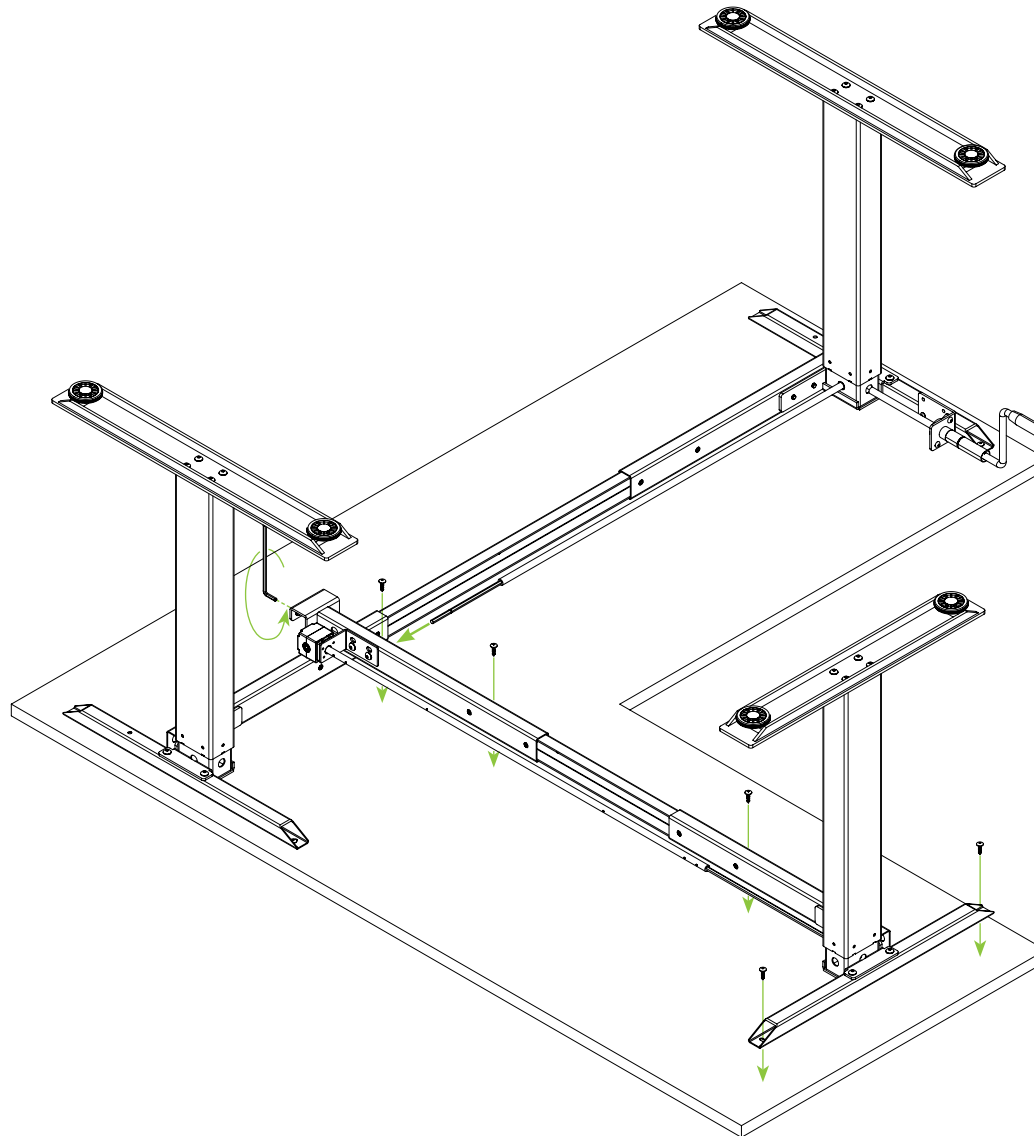


**IMPORTANT!**  
REFER TO SETPS 1-4 OF SINGLE-SIDED  
WINDER 2 COLUMN DESK INSTALLATION  
GUIDE TO ASSEMBLE DESK FRAME.

### Step 5

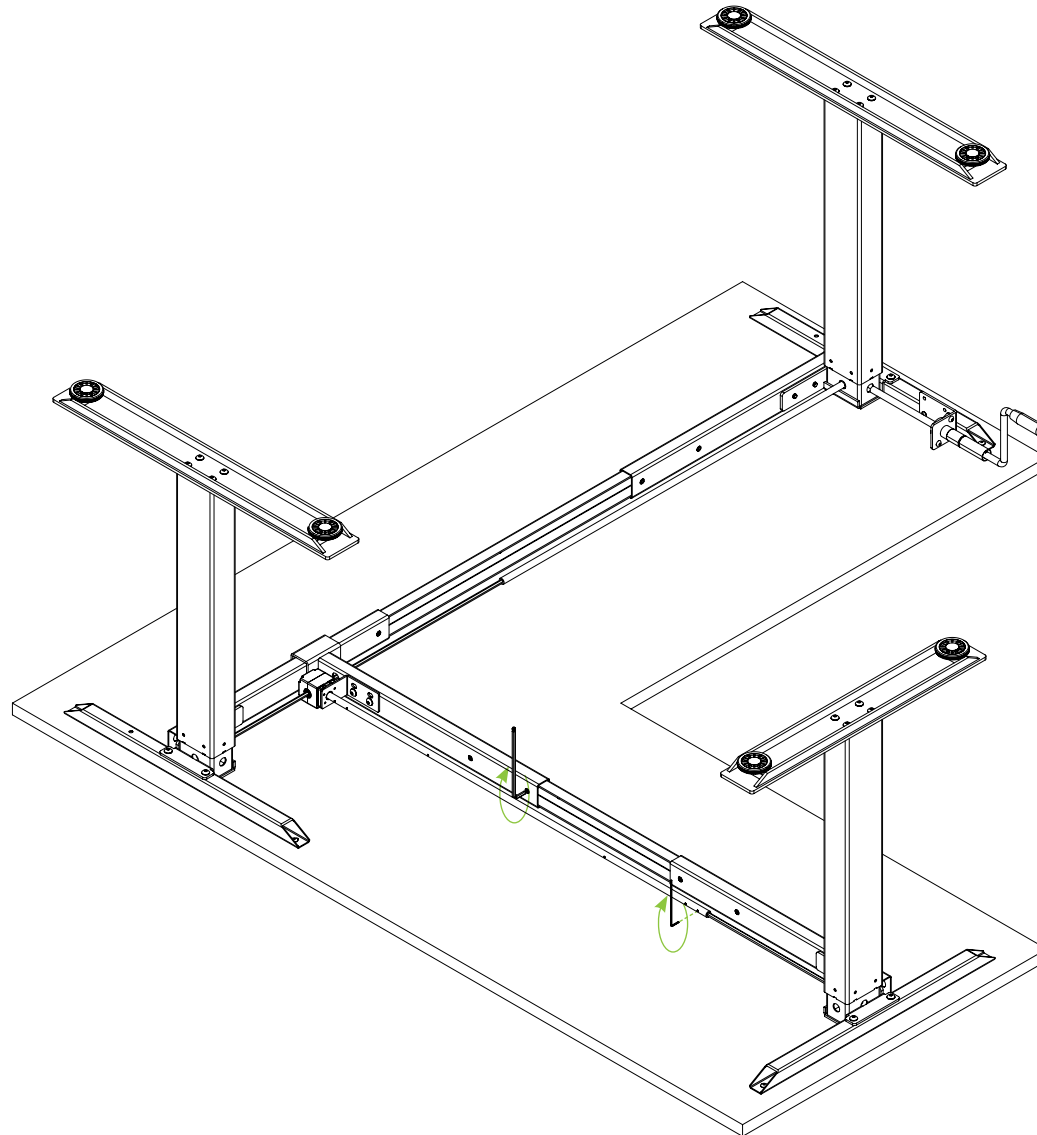


5 x ST5x23

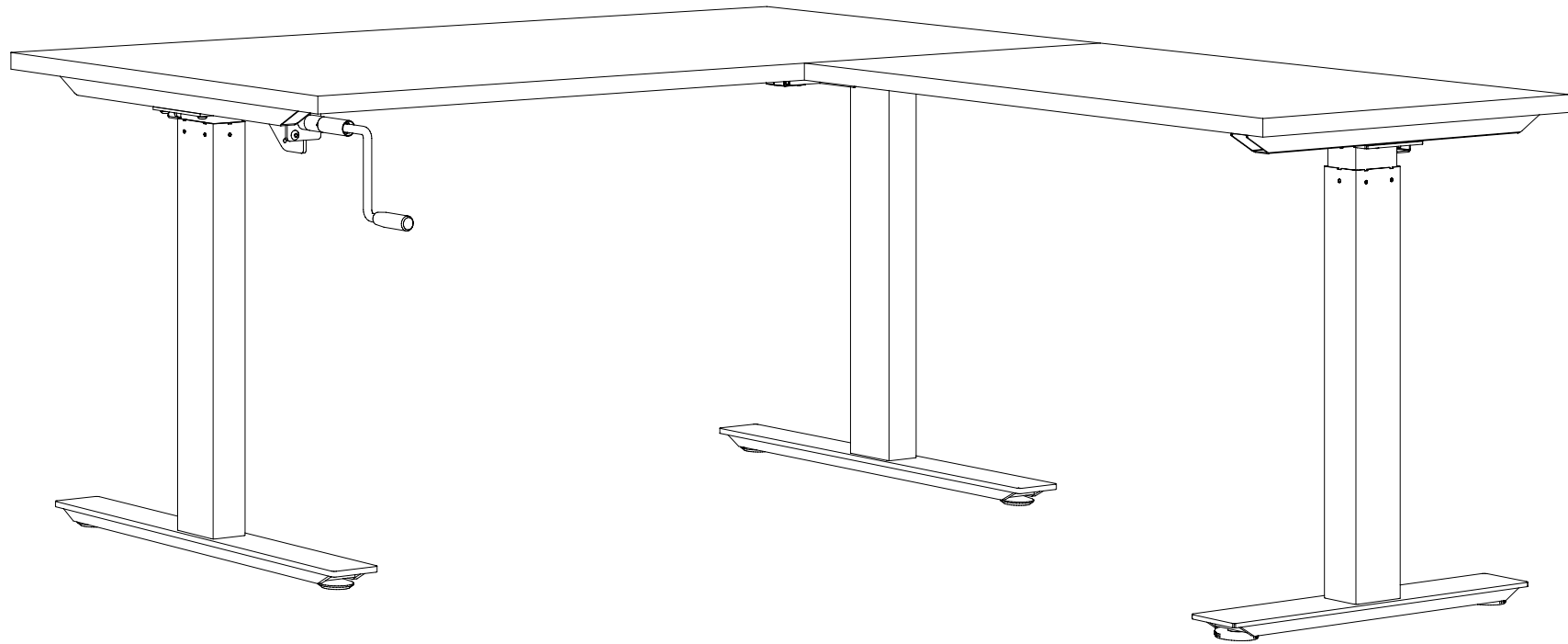




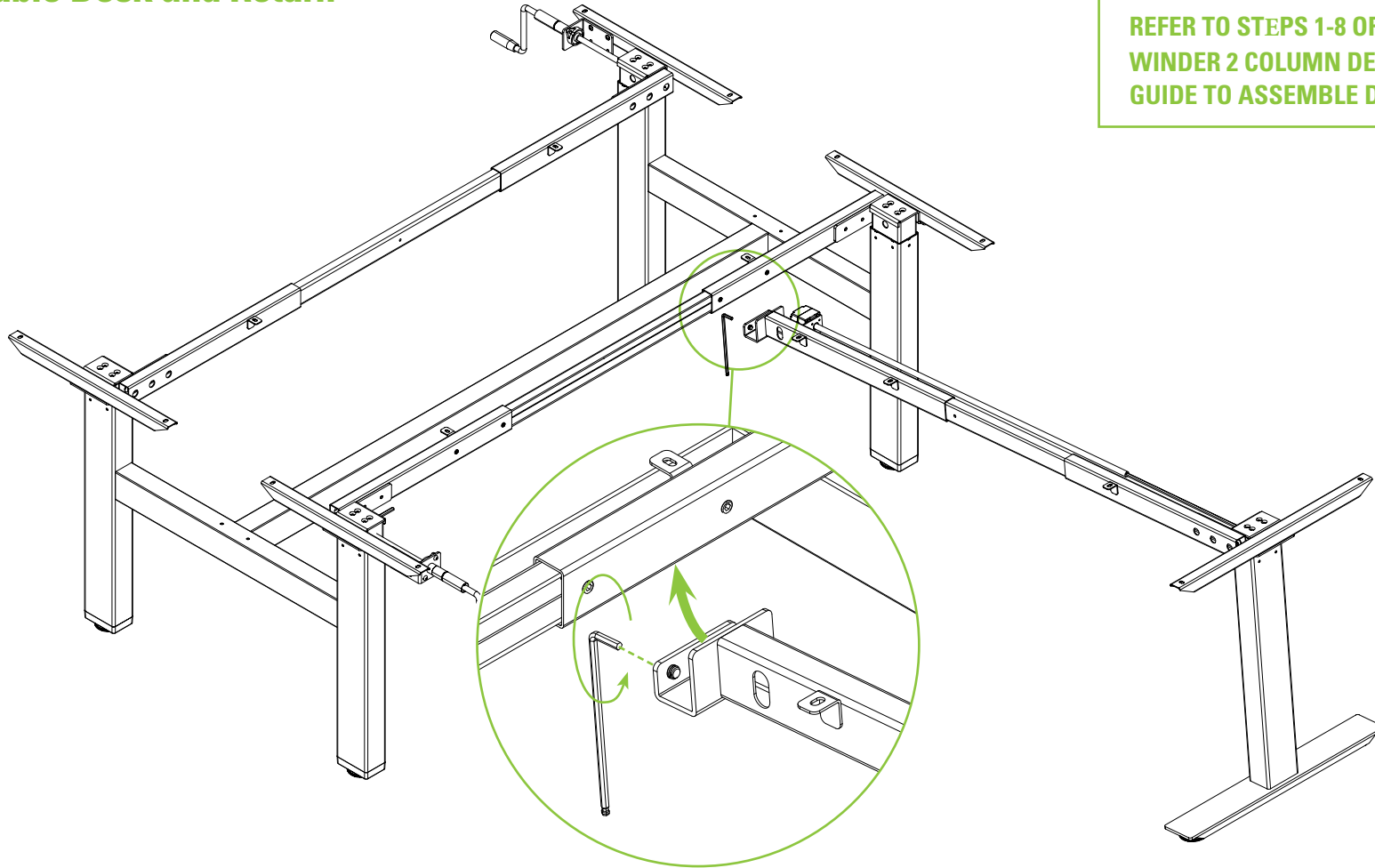
## Step 6



## Completed

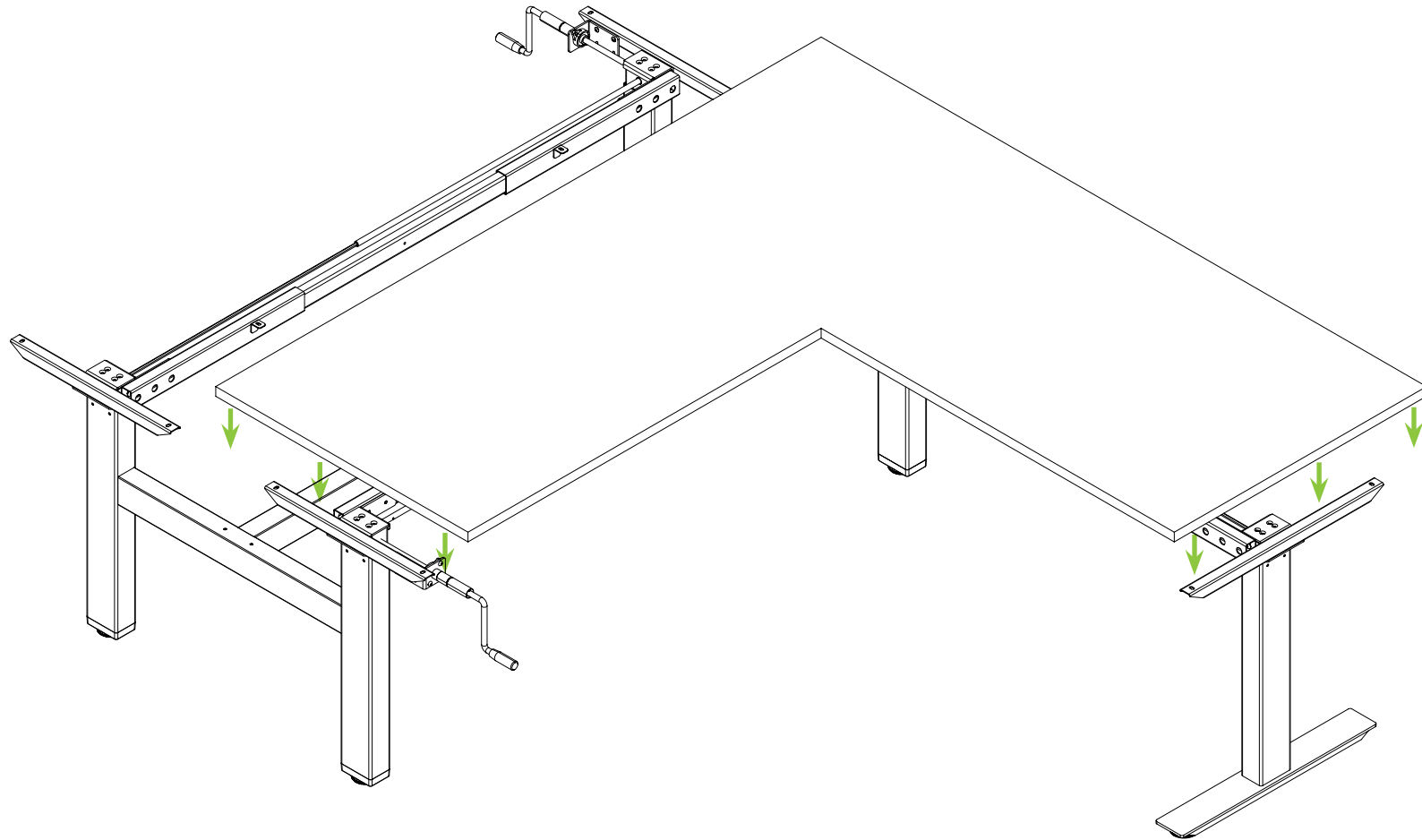


## Option 2: Double Desk and Return Step 4

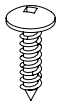


**IMPORTANT!**  
REFER TO STEPS 1-8 OF DOUBLE-SIDED  
WINDER 2 COLUMN DESK INSTALLATION  
GUIDE TO ASSEMBLE DESK FRAME.

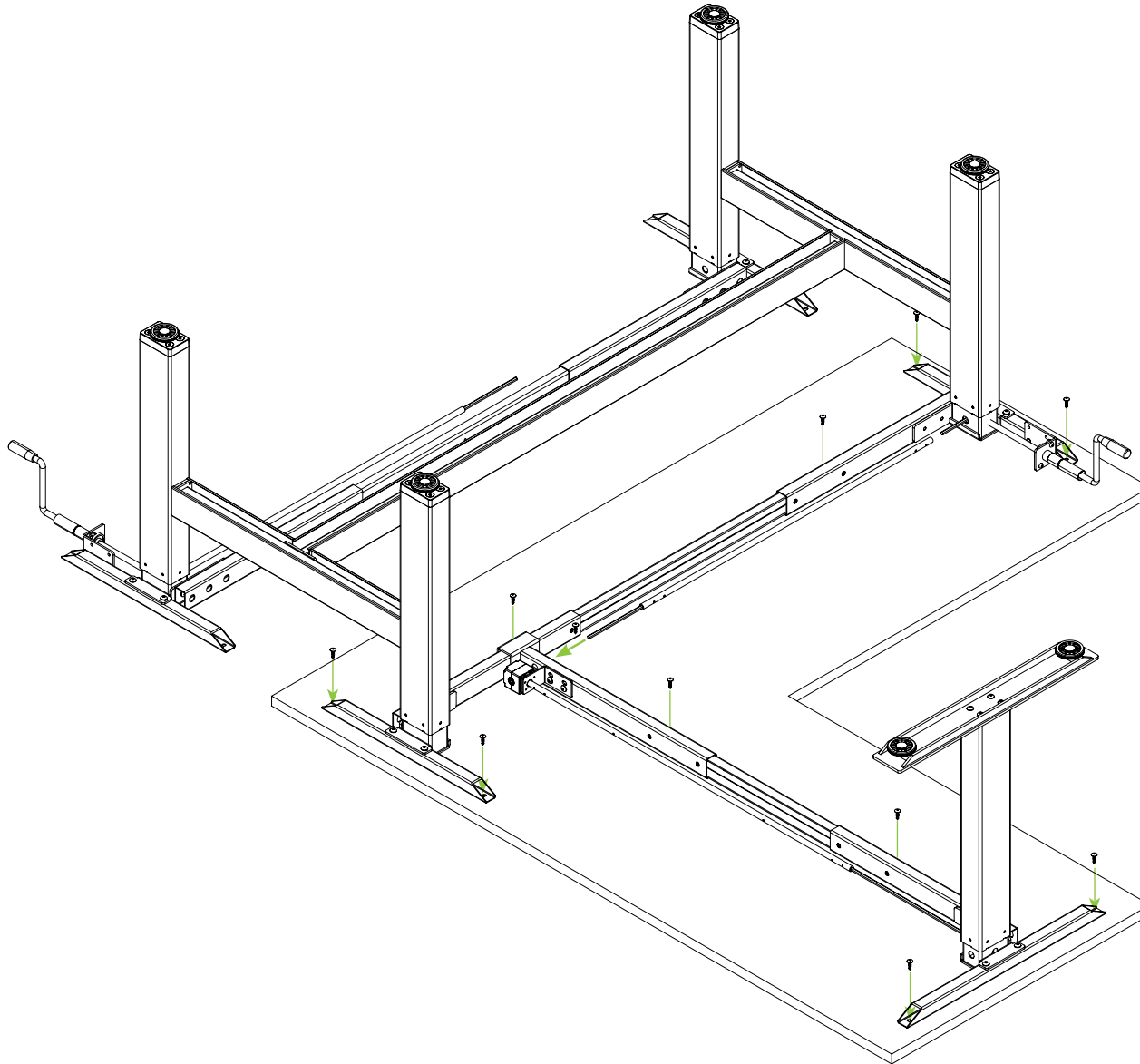
## Step 5



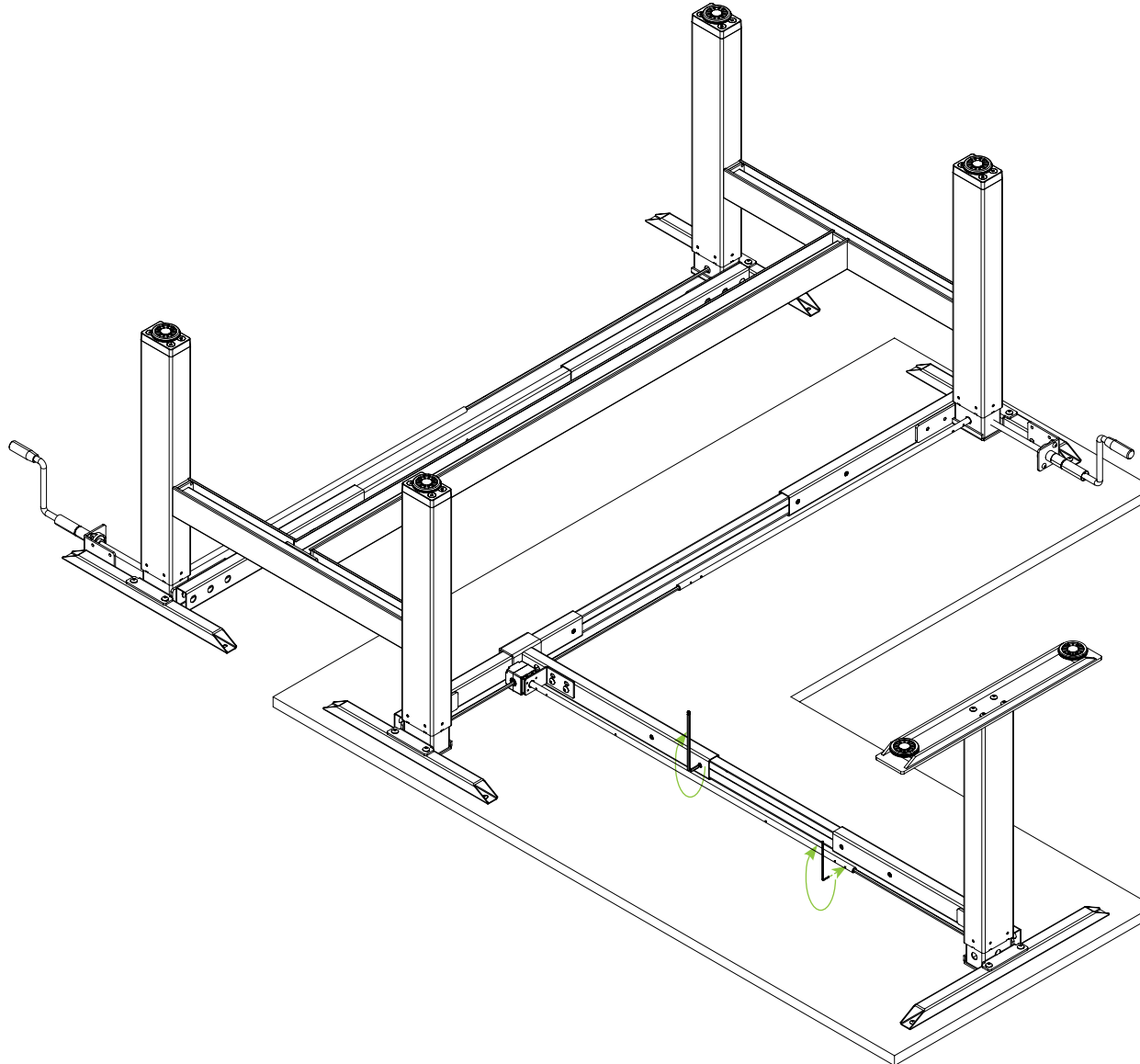
### Step 6



11 x ST5x23



## Step 7



## Completed

