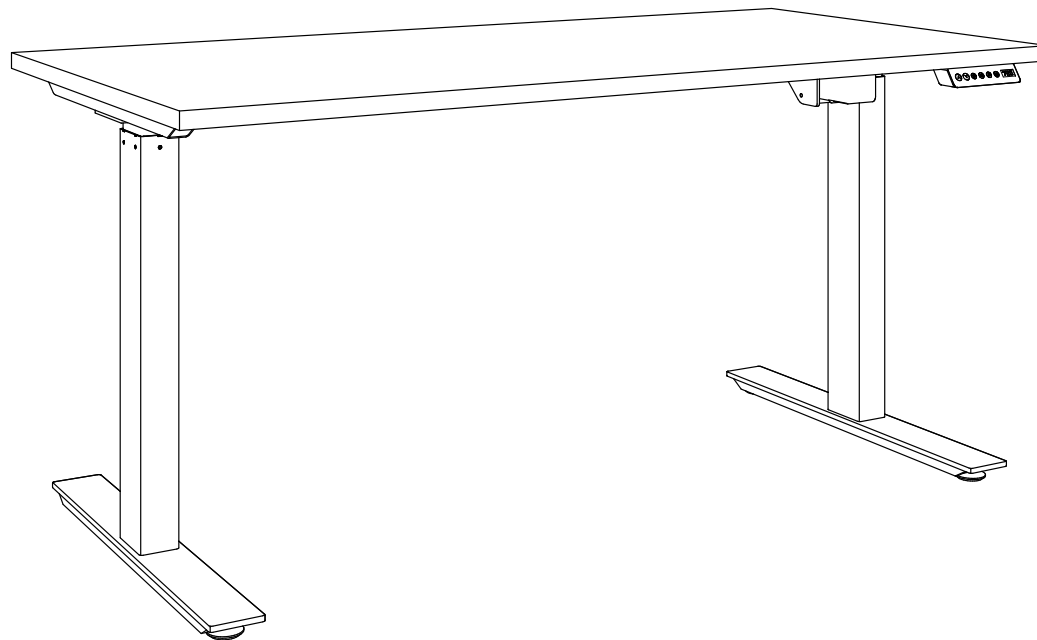
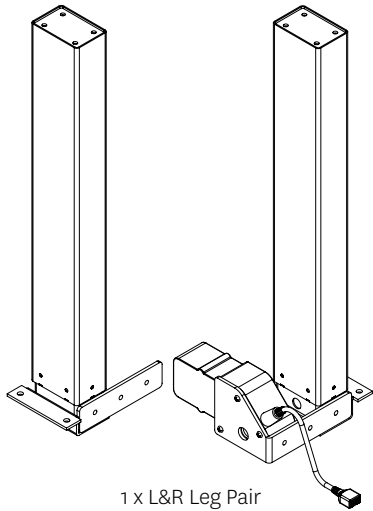


Agile

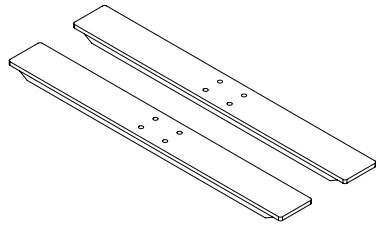
Installation Guide - Electric 2 Column



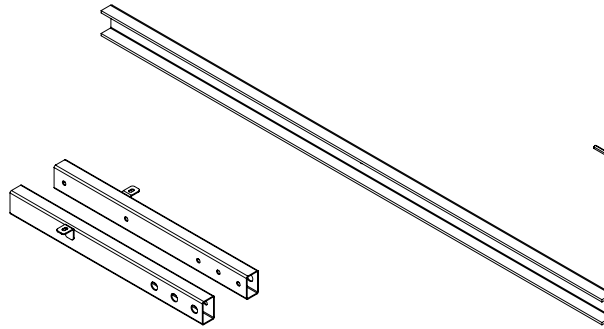
Parts:



1 x L&R Leg Pair

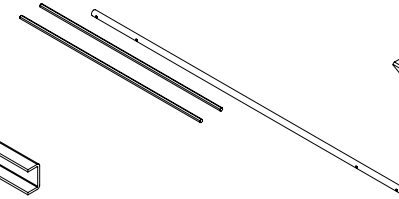


2 x Foot

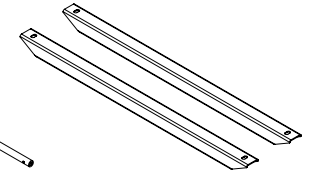


2 x Leg Rail Pair

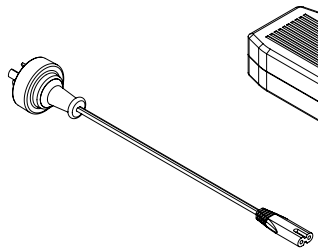
1 x Cross Rail



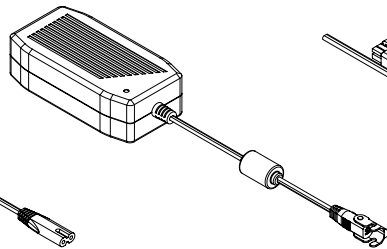
1 x Drive Shaft



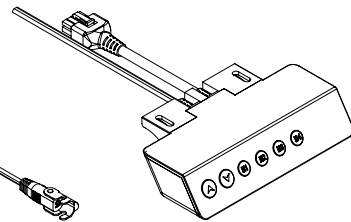
1 x L&R Support Bar Pair



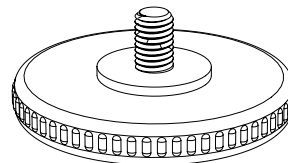
1 x Power Cord



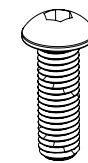
1 x Power Supply



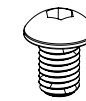
1 x Handset



4 x Levelling Foot



8 x M8x25



8 x M8x10



6 x ST5.0x23

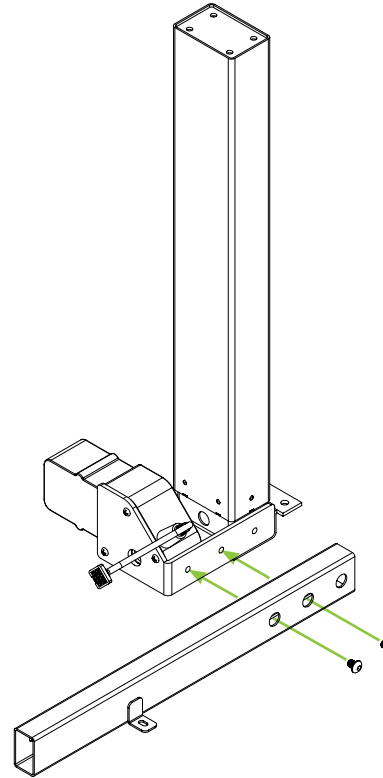
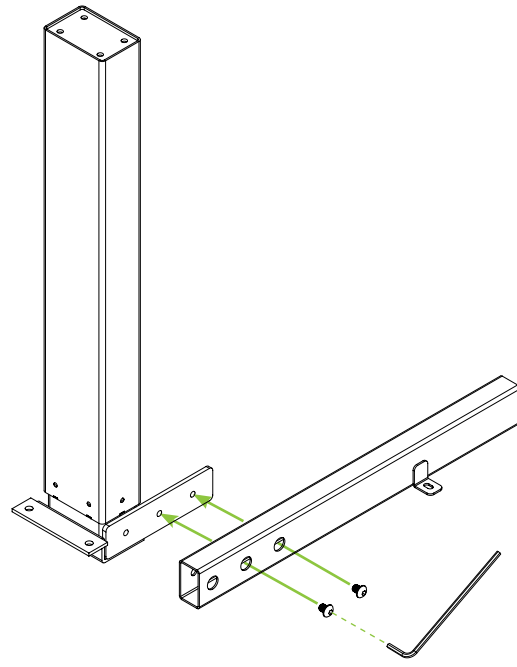


2 x ST3.9x2

Step 1



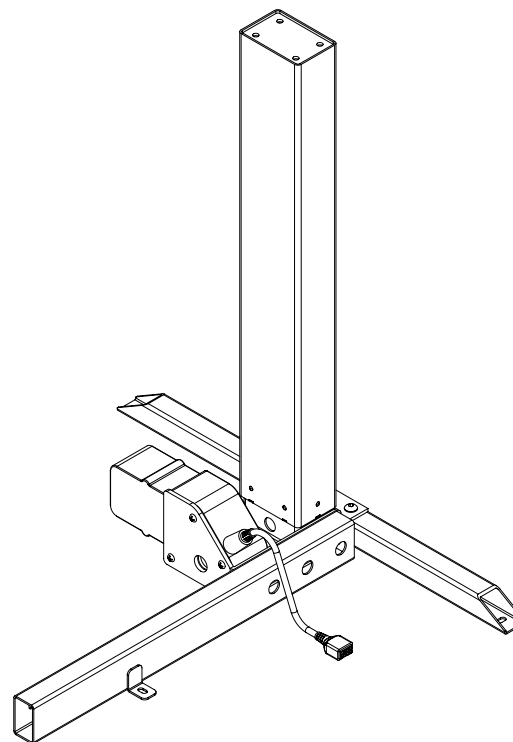
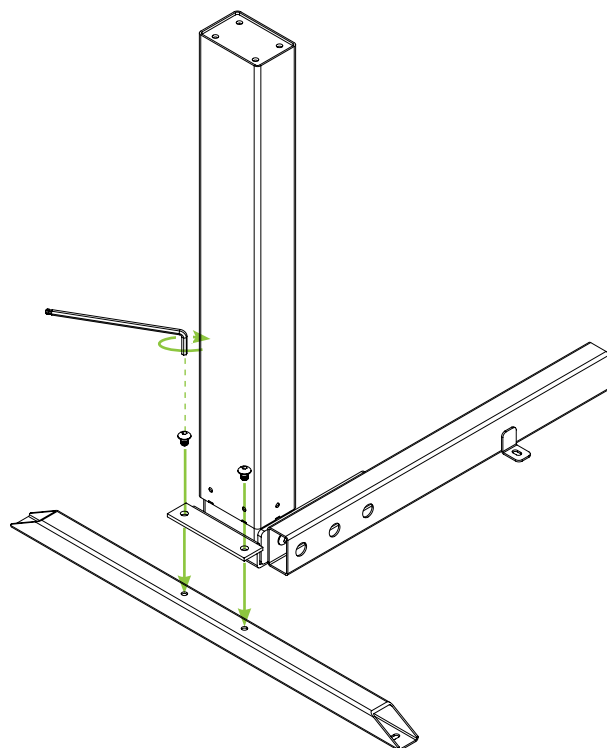
4 x M8x10



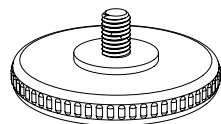
Step 2



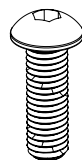
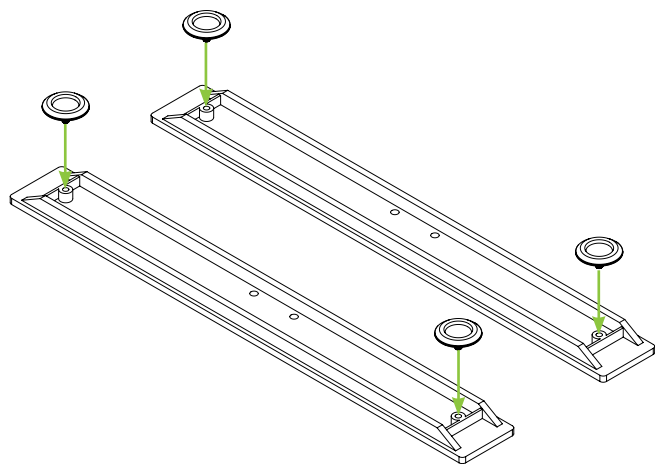
4 x M8x10



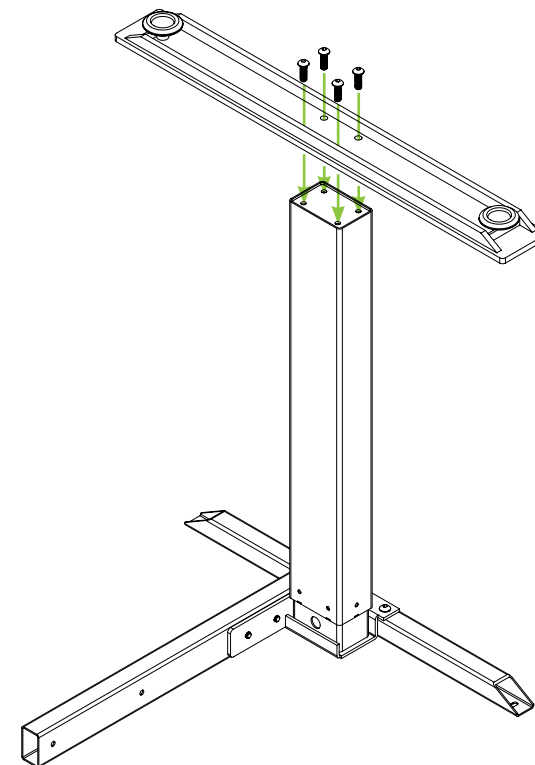
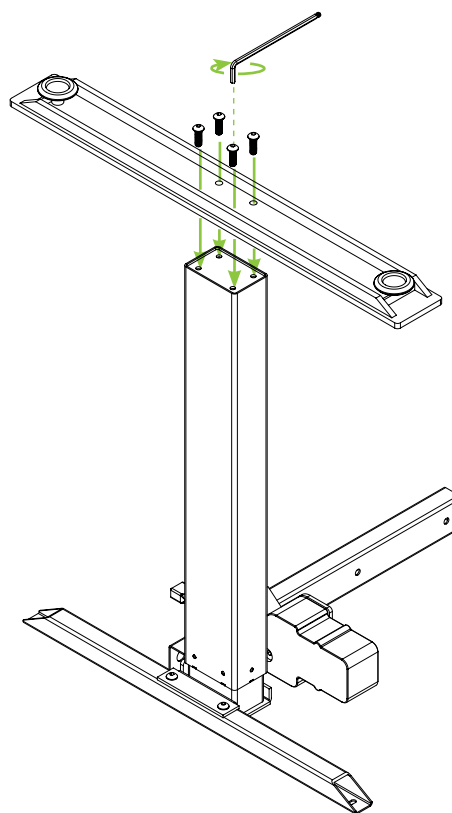
Step 3



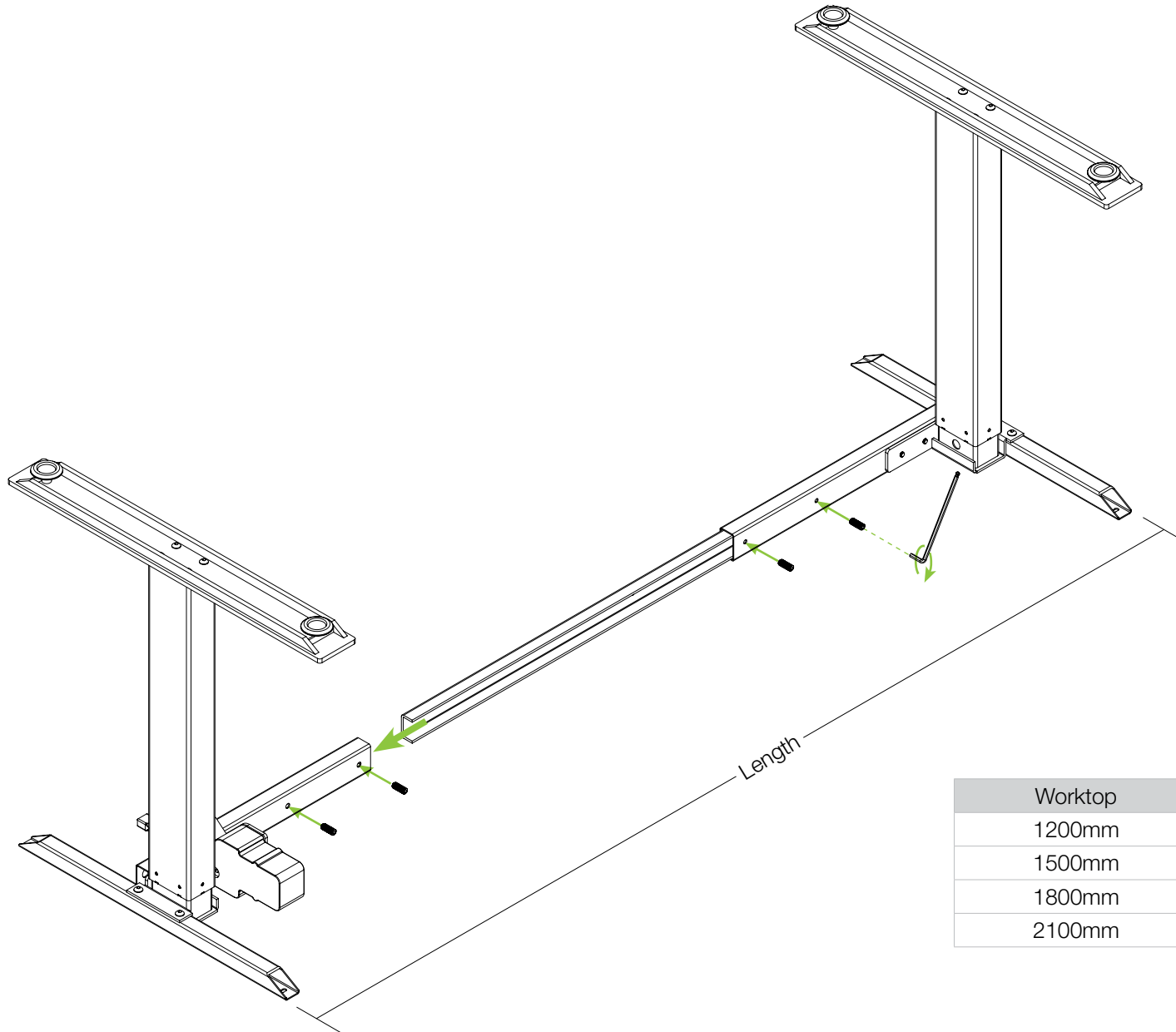
4 x Levelling Foot



8 x M8x25

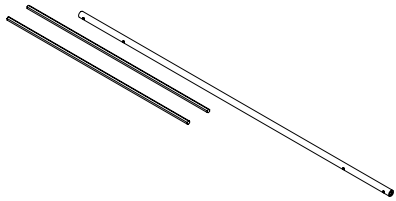


Step 4

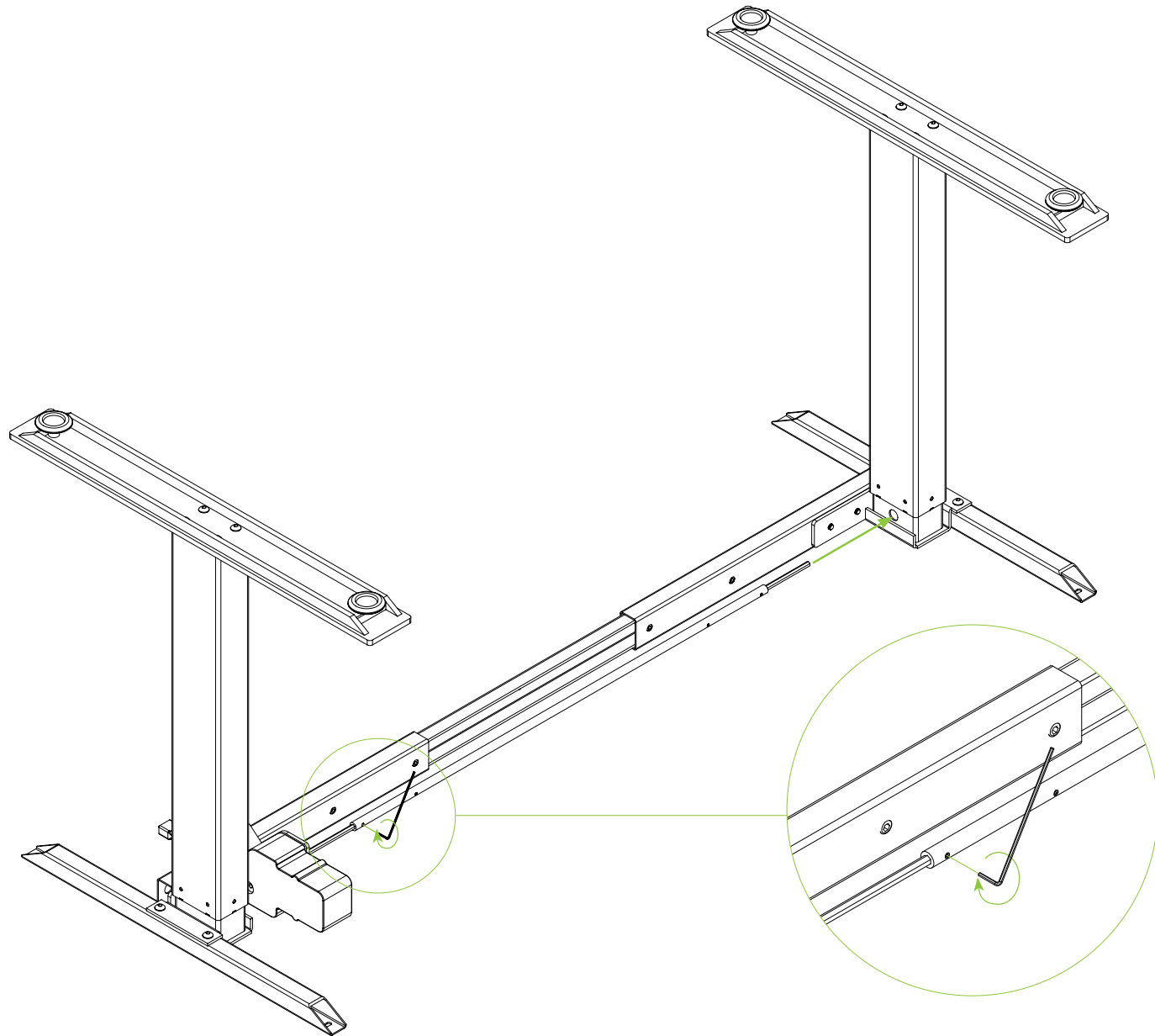


Worktop	Length
1200mm	1125mm
1500mm	1425mm
1800mm	1725mm
2100mm	2025mm

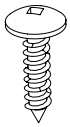
Step 5



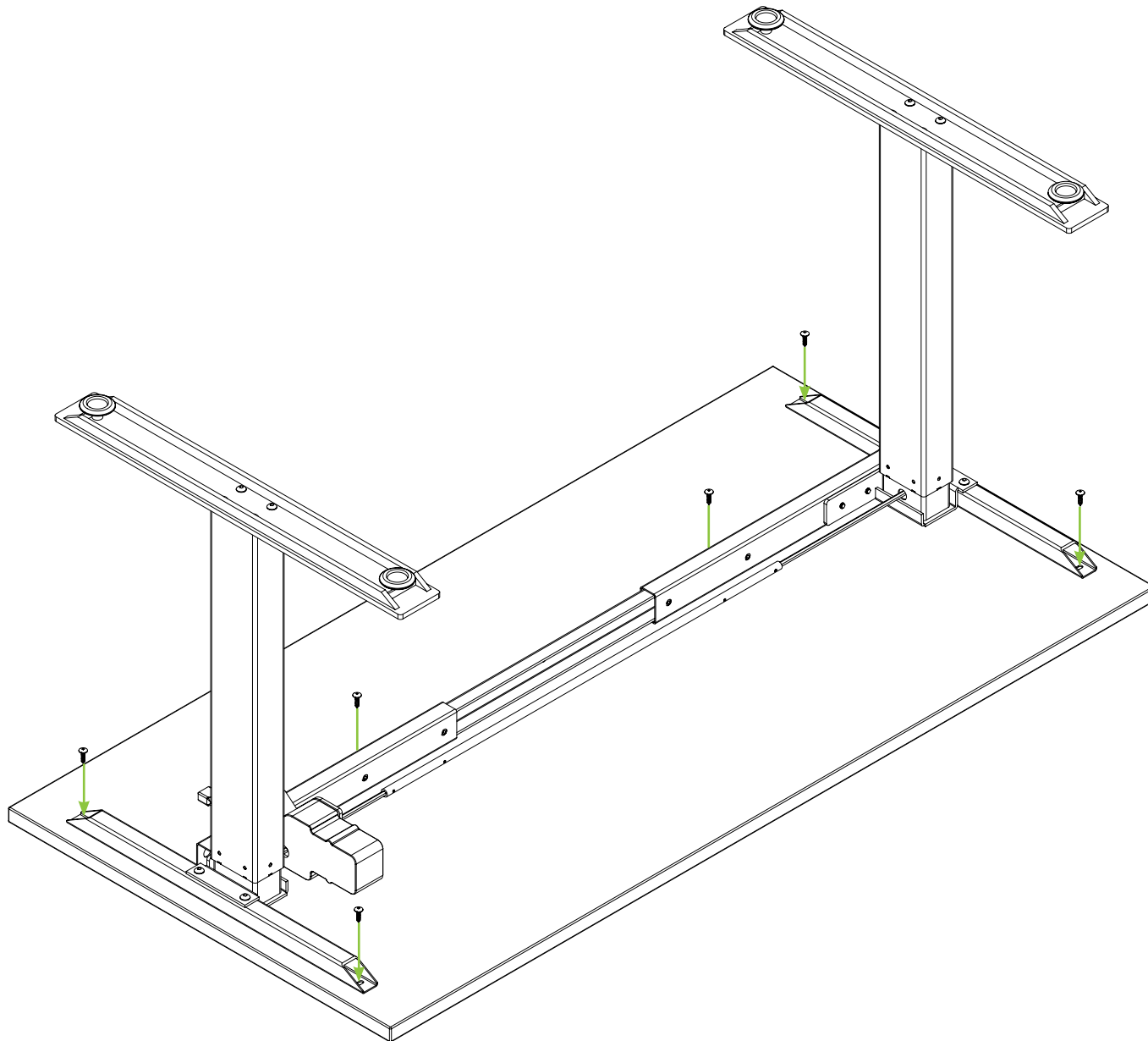
1 x Drive Shaft



Step 6



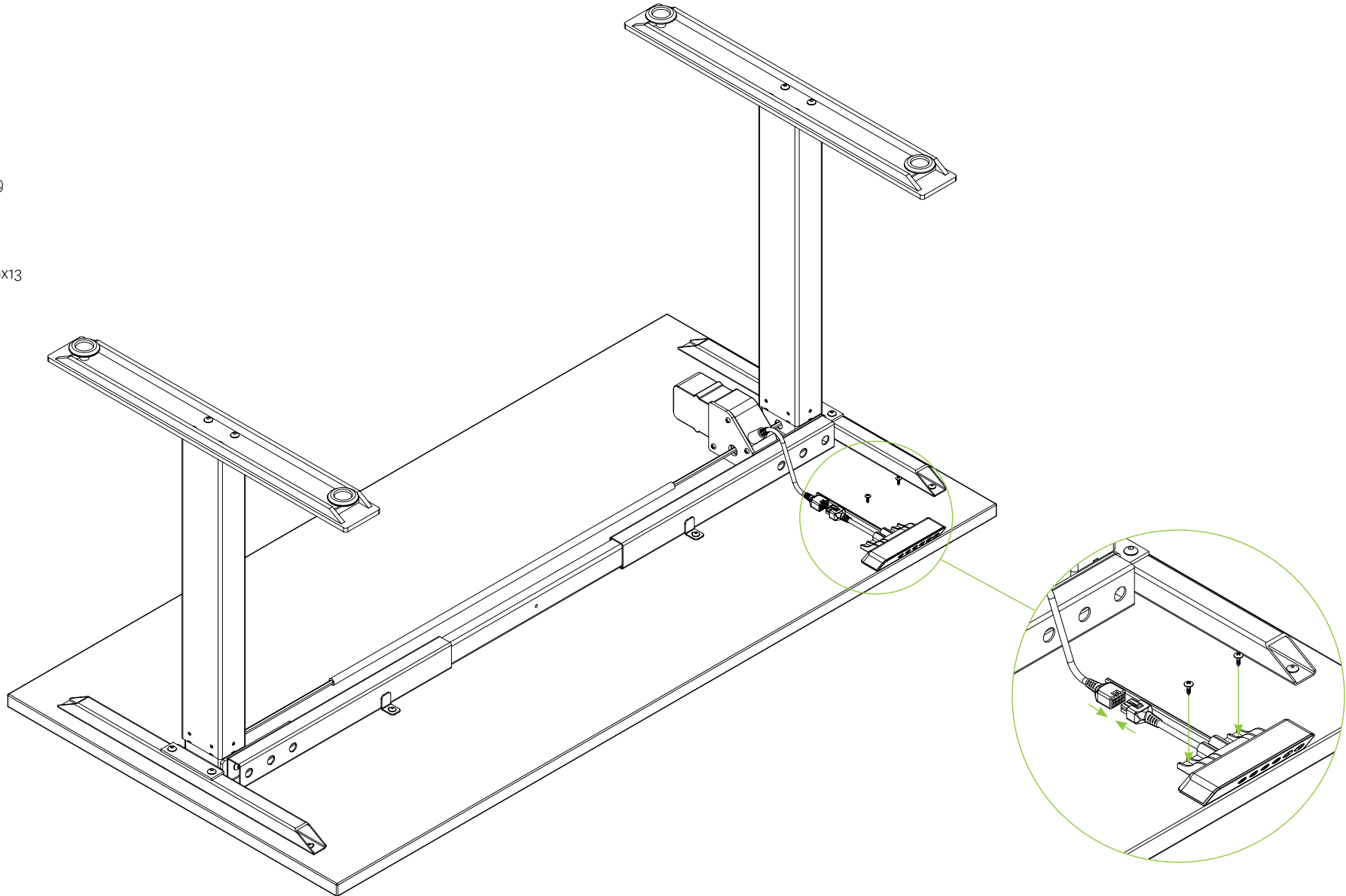
6 x ST5.0x23



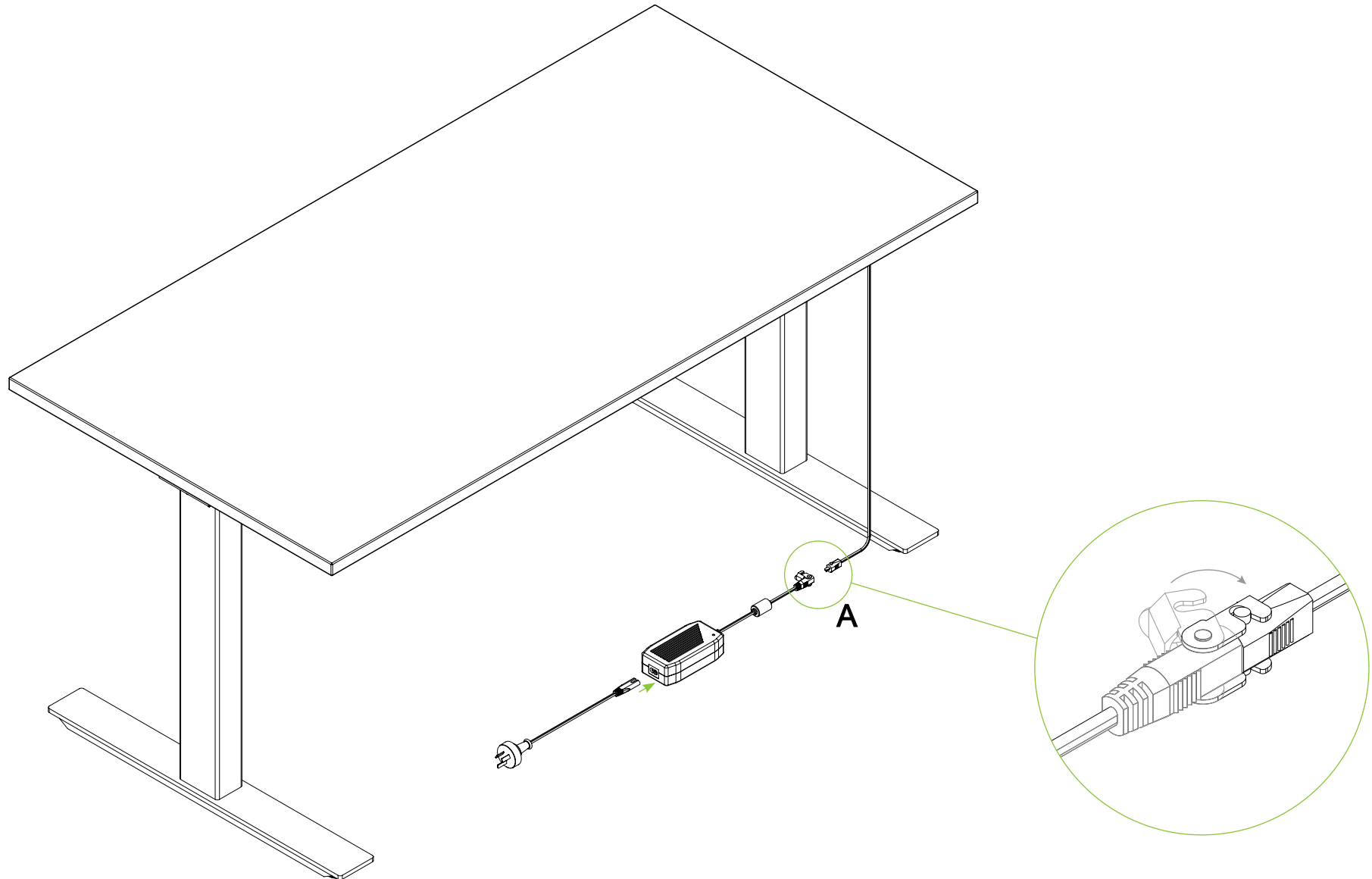
Step 7



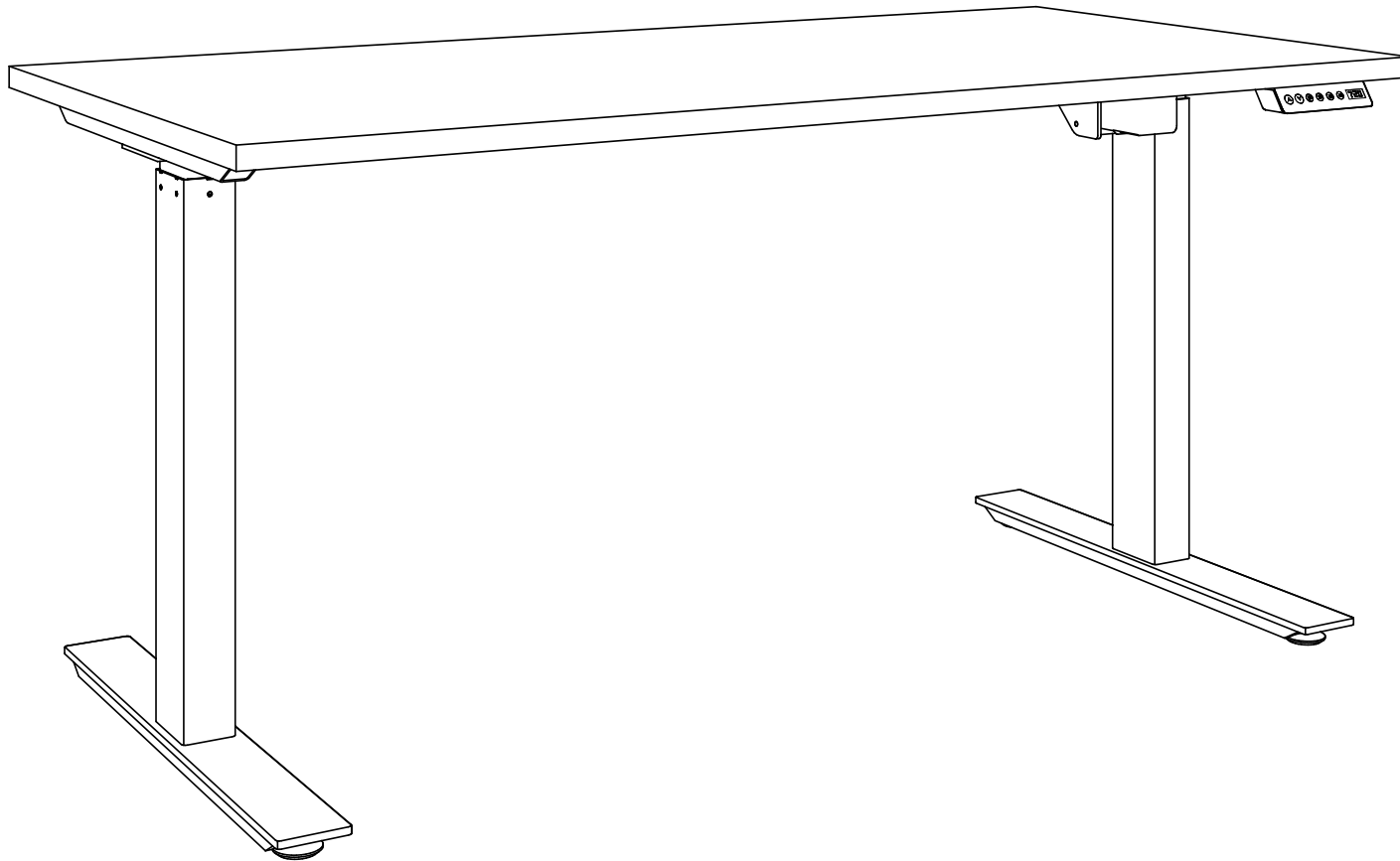
2 x ST3.9x13



Step 8

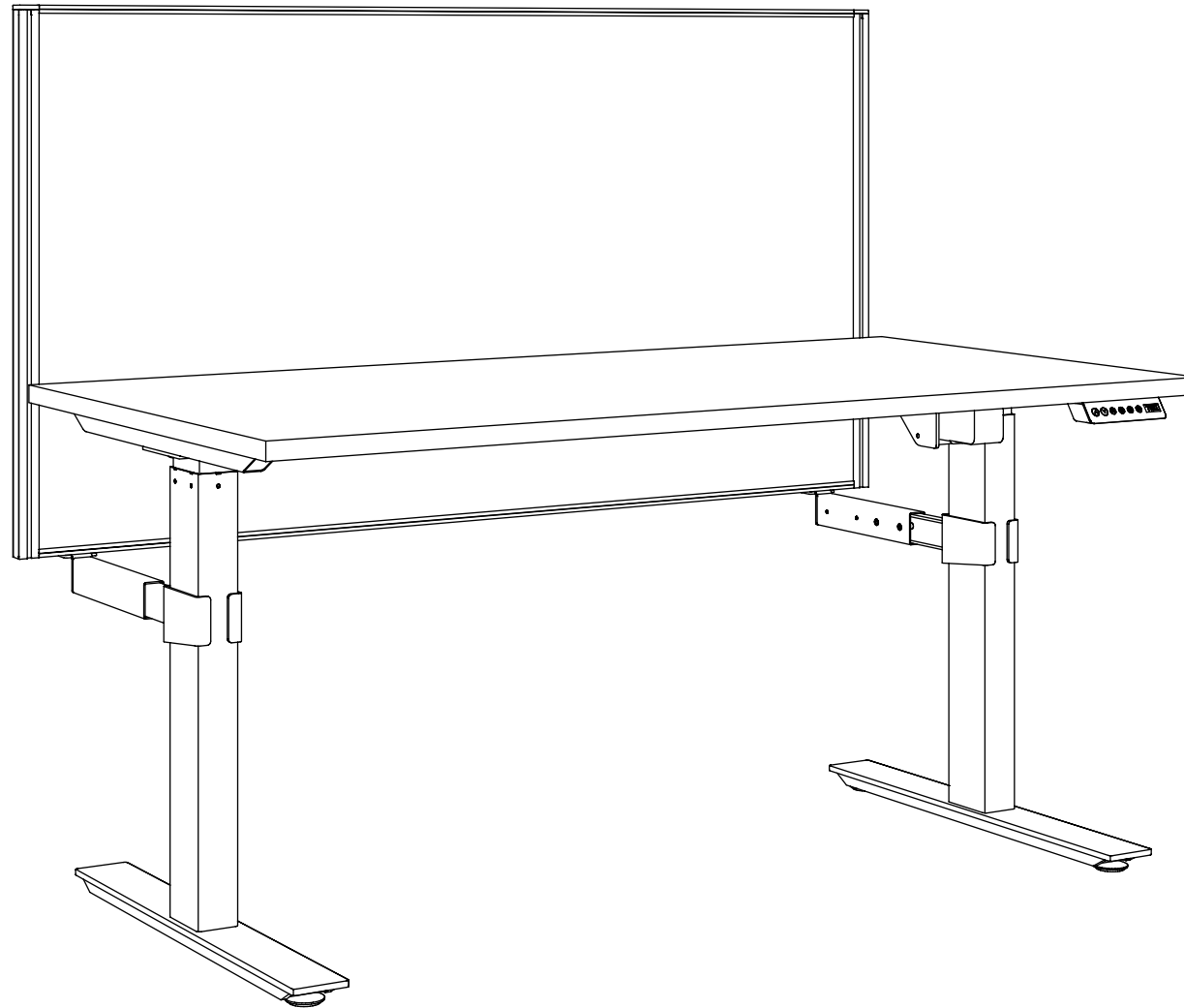


Completed



Optional Desk Hung Screen

Installation Guide

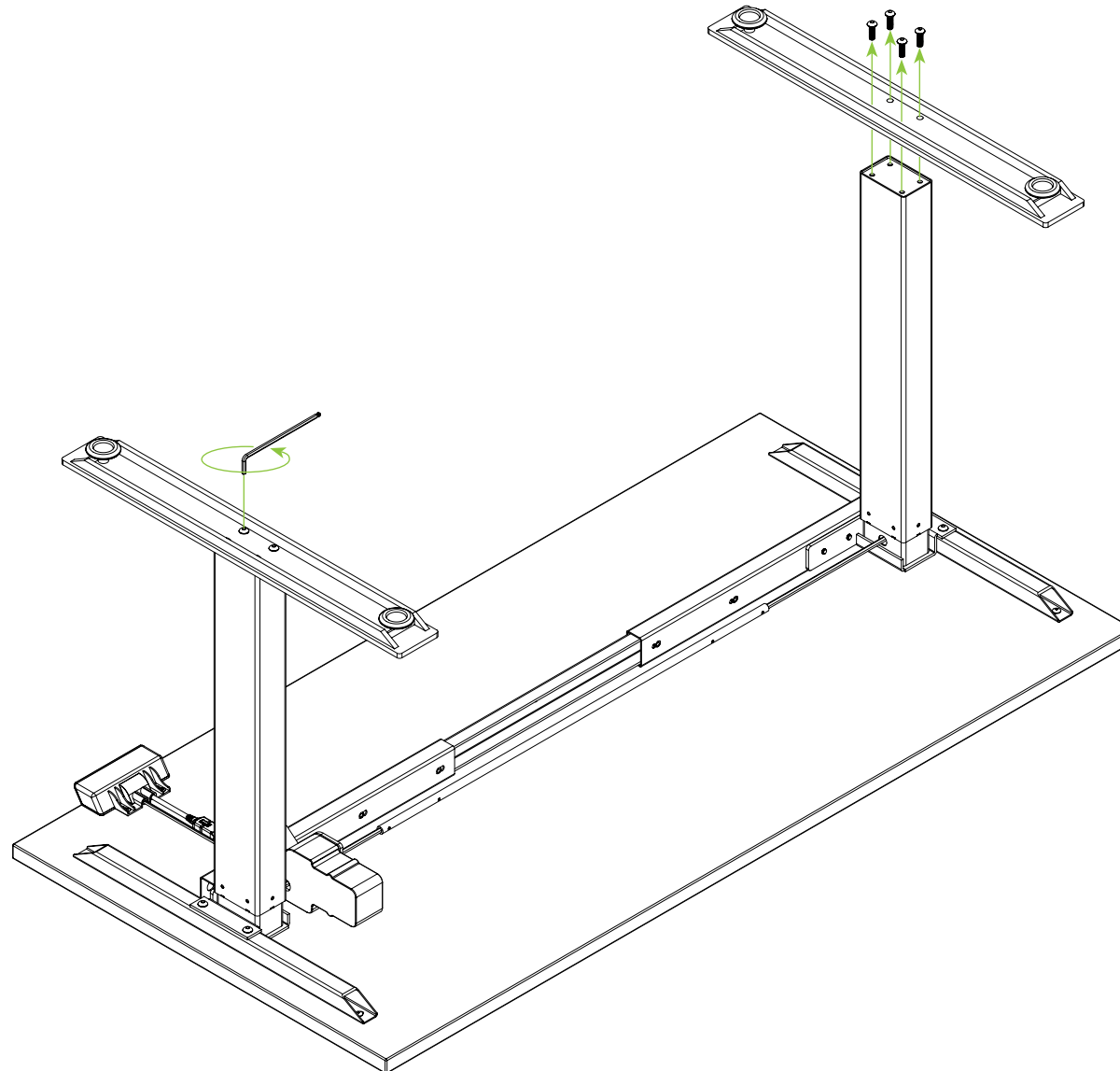


Studio50
Screens are
Australian
Made.

Optional Desk Hung Screen

Installation Guide

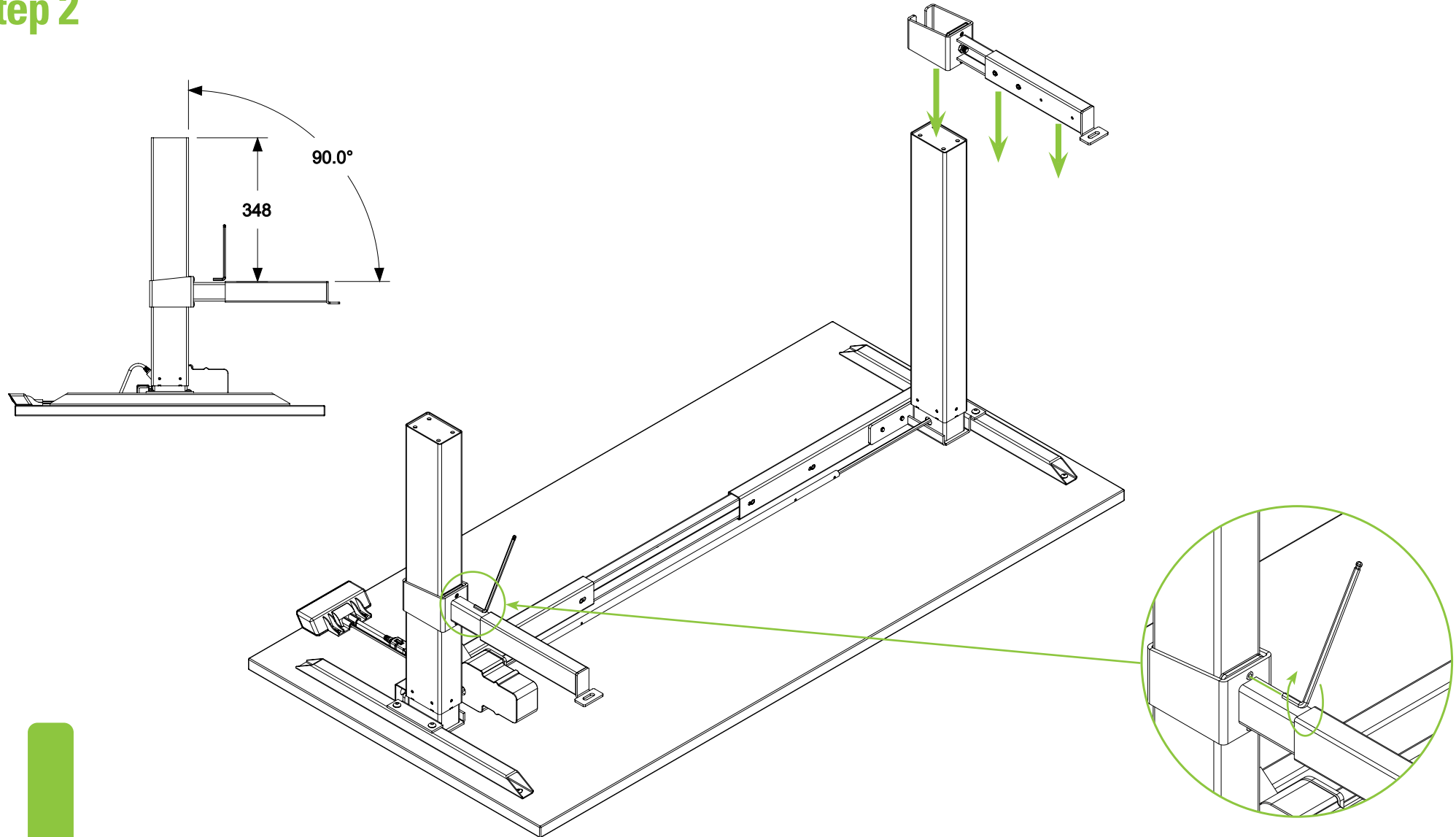
Step 1



Optional Desk Hung Screen

Installation Guide

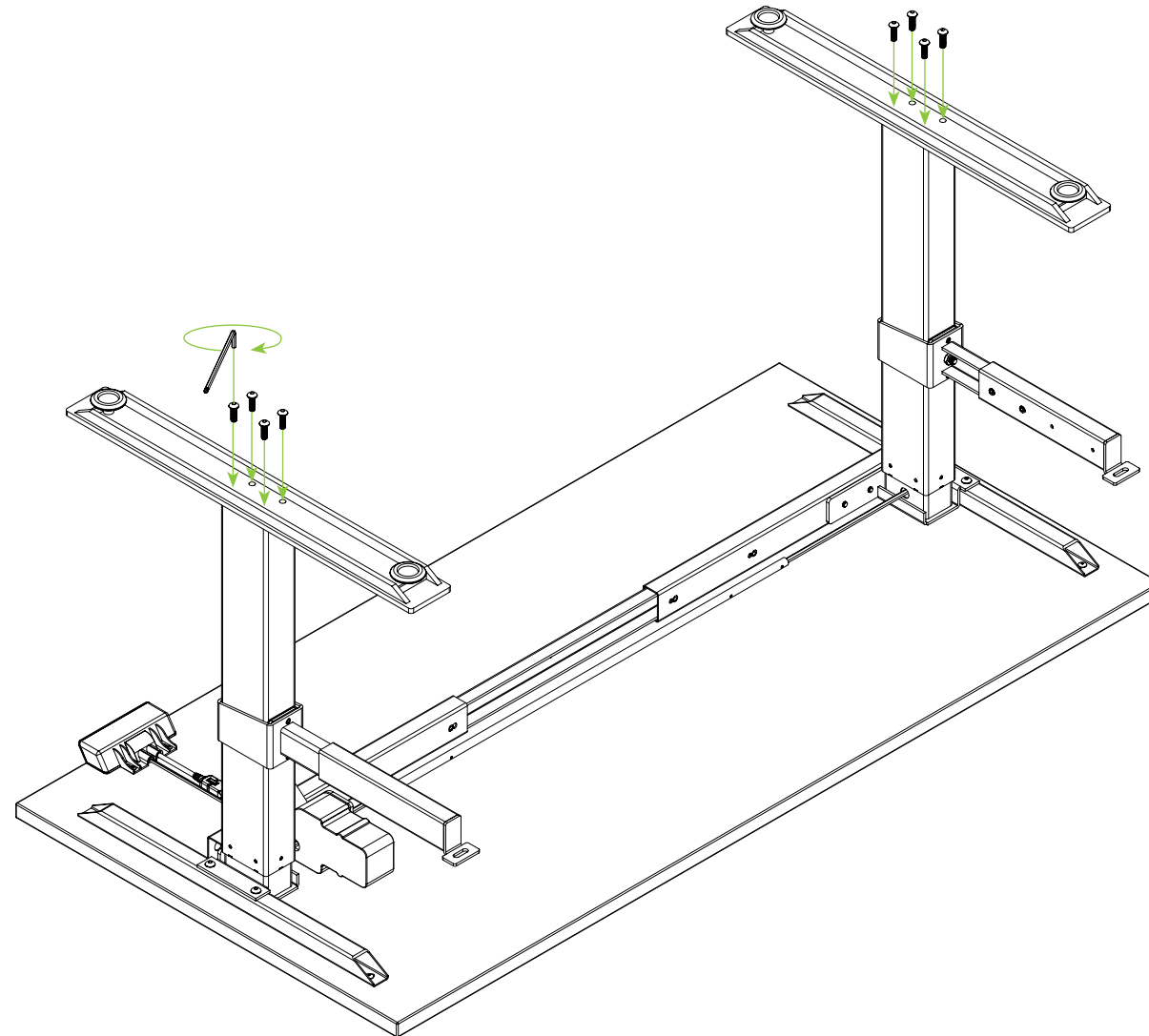
Step 2



Optional Desk Hung Screen

Installation Guide

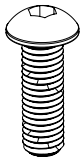
Step 3



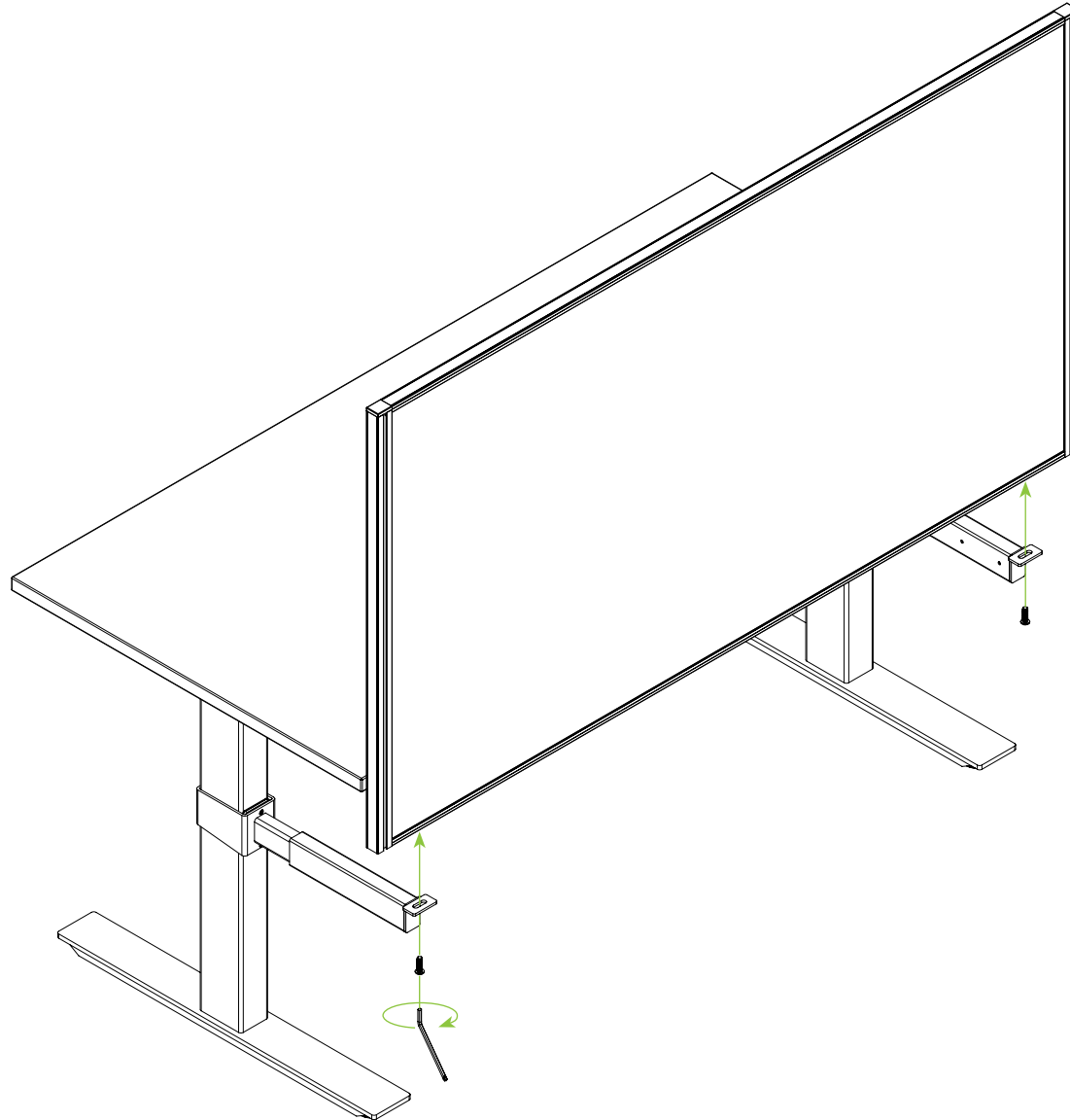
Optional Desk Hung Screen

Installation Guide

Step 4



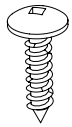
2 x M8x25



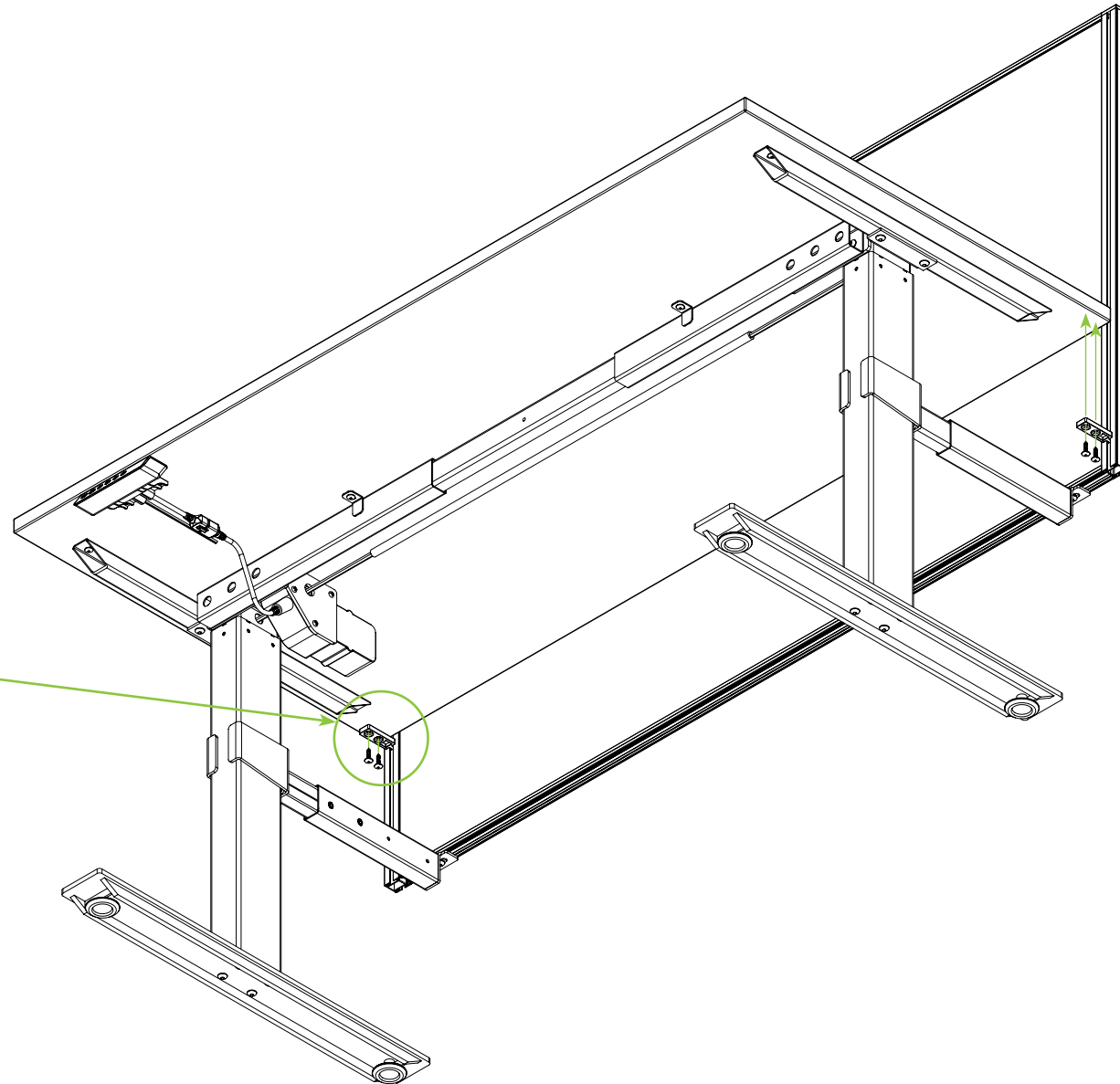
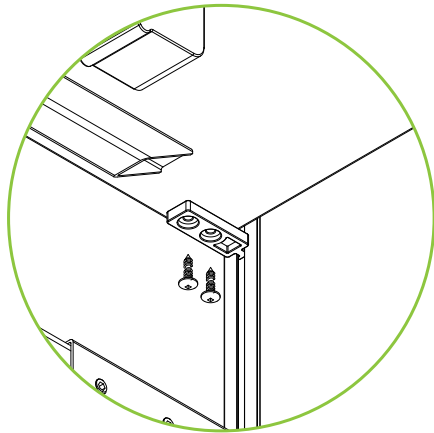
Optional Desk Hung Screen

Installation Guide

Step 5



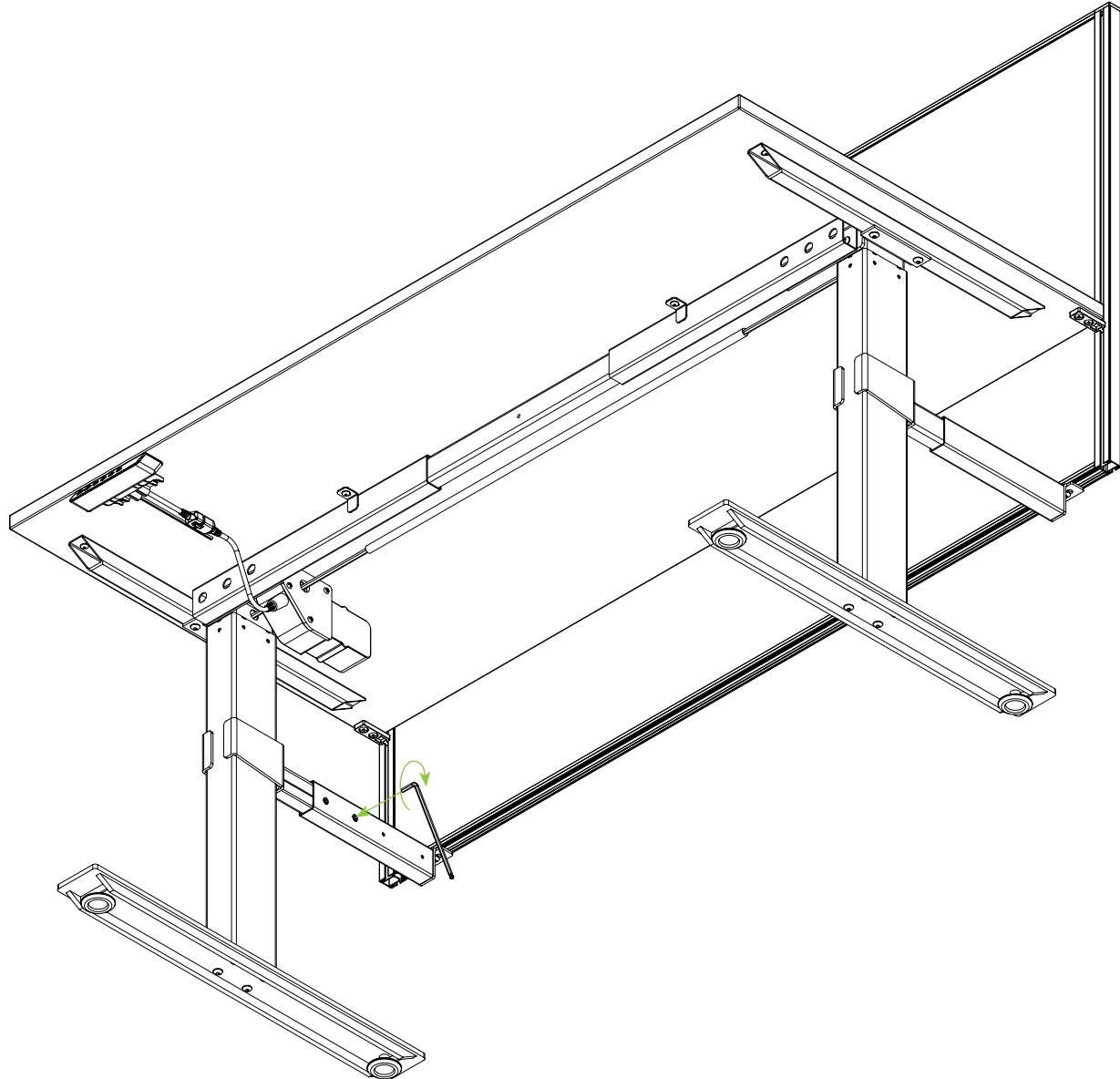
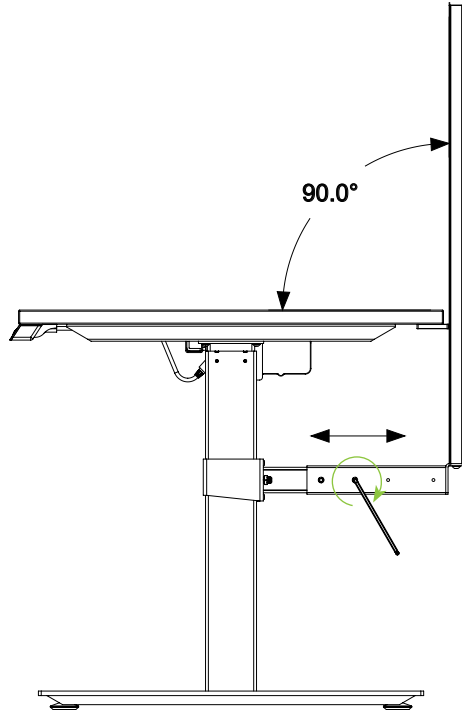
4 x ST5.0x23



Optional Desk Hung Screen

Installation Guide

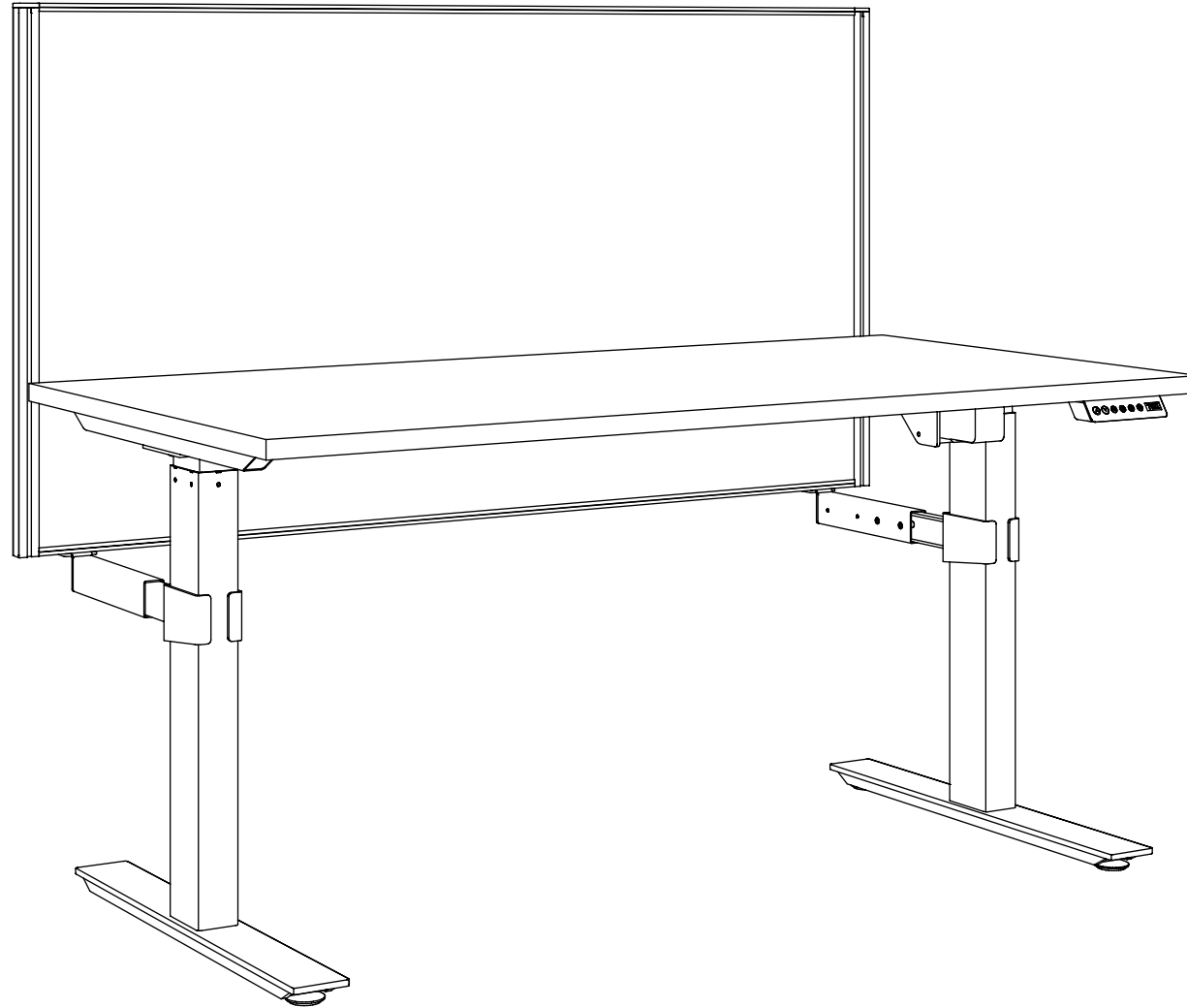
Step 6



Optional Desk Hung Screen

Installation Guide

Completed



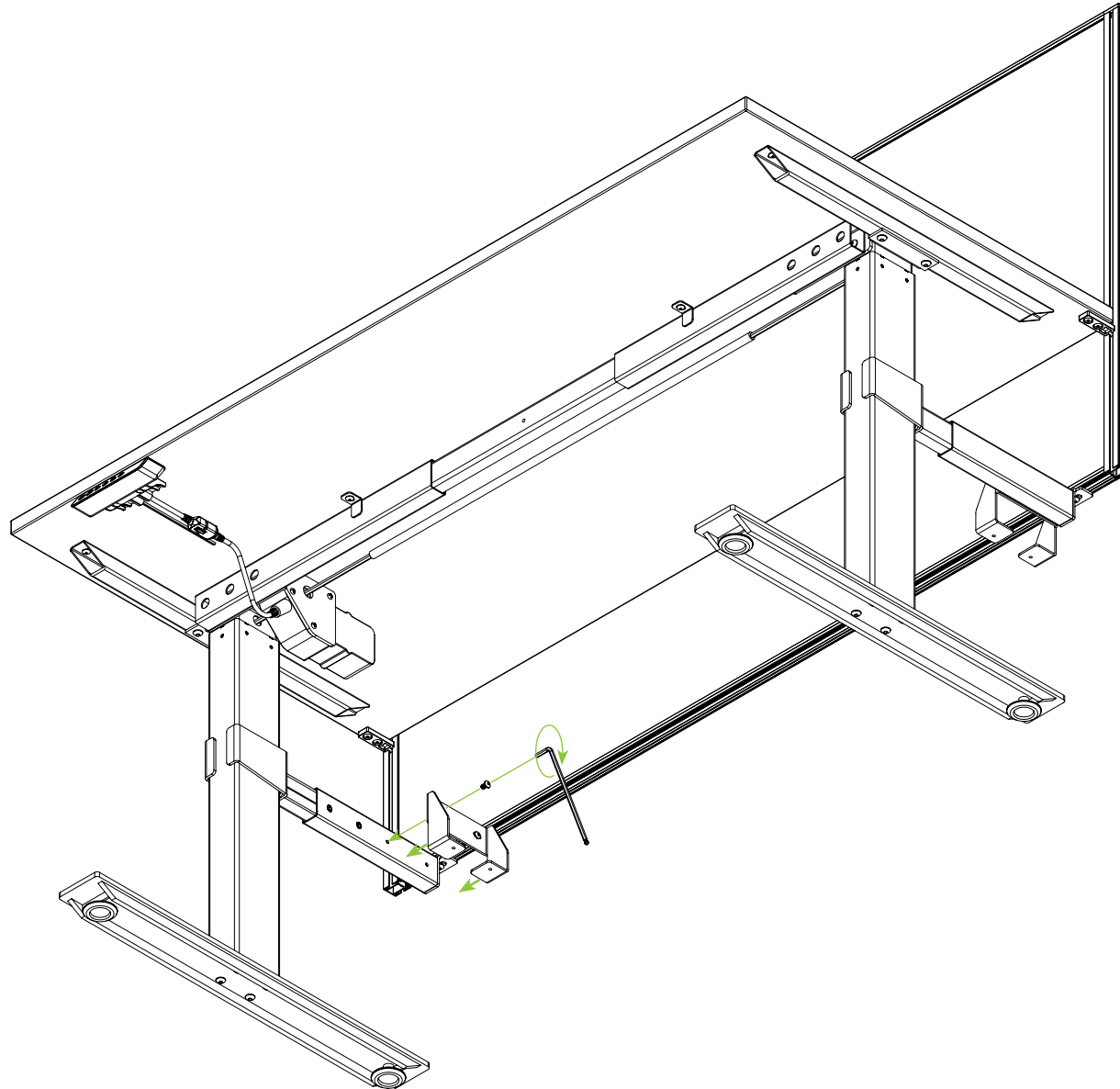
Optional Cable Tray

Installation Guide

Step 1



4 x M6x10



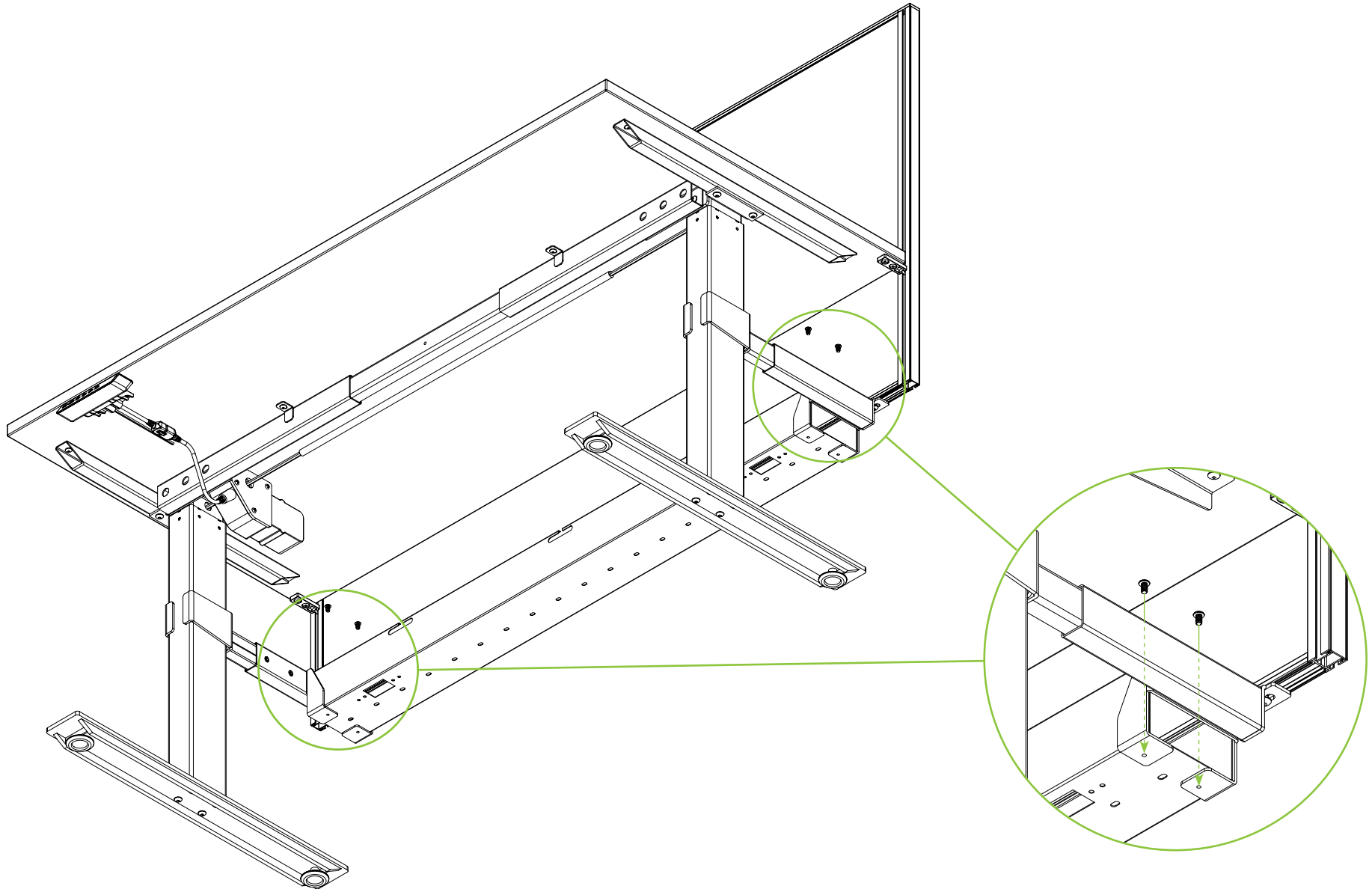
Optional Cable Tray

Installation Guide

Step 2



4 x M5x6



Directions For Use

IMPORTANT!

Please carefully read the assembly manual and direction for use prior to instalment, use and maintenance of the table frame to gain a complete understanding of its contents. It provides you with important information about the safety, use, installation and maintenance of the table.

WARNING: FAILURE TO COMPLY WITH OR OBSERVE ALL ASSEMBLY, SAFETY AND OPERATION INSTRUCTIONS REGARDING THE USE OF THIS PRODUCT MAY RESULT IN SERIOUS BODILY INJURY.

SAFETY

- The table must be used in a safe manner. Inappropriate use may cause damage to the table and/or cause bodily harm to the user or persons nearby.
- Do not tamper with electrical components as this may lead to serious bodily harm.
- Only connect the electric table frames to the prescribed mains power voltage.
- Do not use the table frame to lift people.
- Please retain this operation manual and pass it on to any future owner.

USAGE

- The height-adjustable table is designed for use in dry work environments only.
- The table height is infinitely adjustable within its height range so that it can be set to the user's most ergonomic working height. The user should seek professional help to establish their optimum working height.
- The table has been designed as a devise to elevate the users work surface and associated office peripherals. Do not use the table frame for any other purposes than that which it has been designed for. Any other use is at user's own risk!
- Do not crawl, lie or move around under the table frame, and do not sit or stand on the table frame.
- CHILDREN should only use the table when supervised by adults.
- Liability: The manufacturer accepts under no circumstances warranty claims or liability claims for damages arising from improper use or handling of the table frame other than that described in this operation manual.

SET UP AND INSTALLATION

Assemble the table frame according to the assembly instructions on pages 4 - 12.

- Place the table in a safe distance from window frames, radiators, furniture etc. so that persons cannot become trapped.
- Level the table with the adjustable feet ensuring that the table is stable.
- Check that no cables can get jammed.
- Connect the table to the 110 or 230 VAC power outlet.

The table is now ready for use.

MAINTENANCE

- The table does not require any maintenance by the user
- The table is only to be cleaned with a wrung cloth.

TECHNICAL DATA

Height Range: 680-1130mm including worktop

Speed: ~22mm/s

Input Voltage: 100-240V AC 50-60Hz

Output Voltage: 24V DC 2.0A

Duty Cycle: 10% 2min on 18min off

