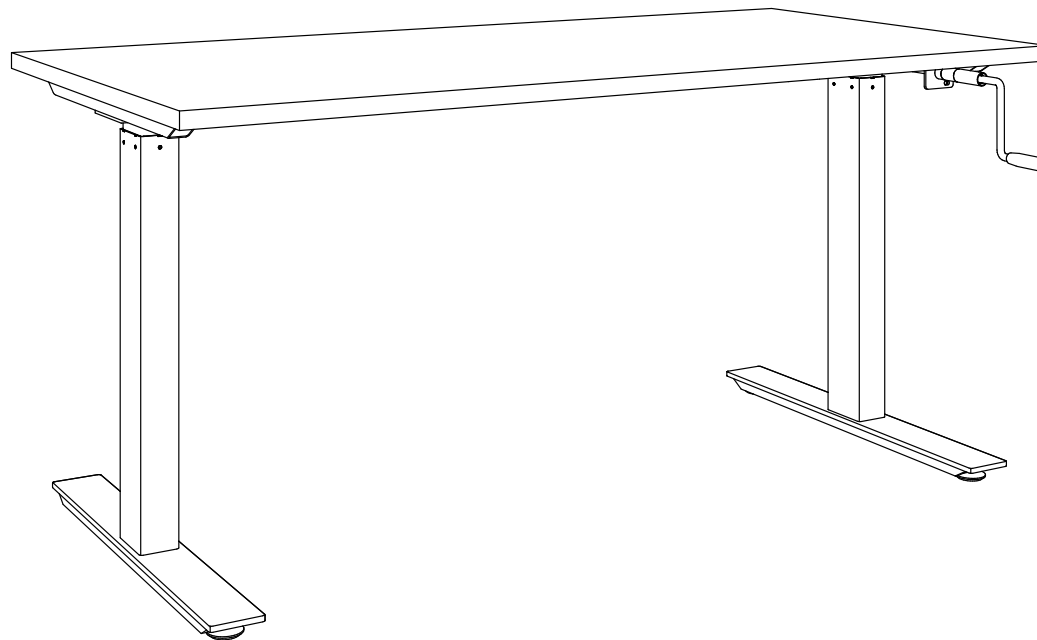


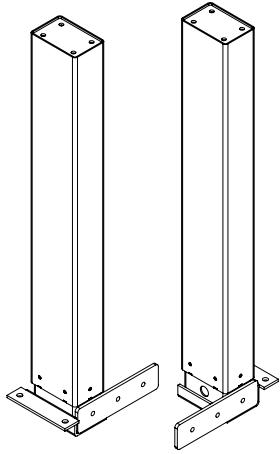
# Agile

Installation Guide - Winder 2 Column

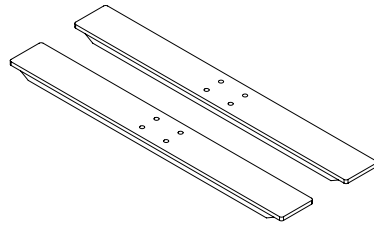
---



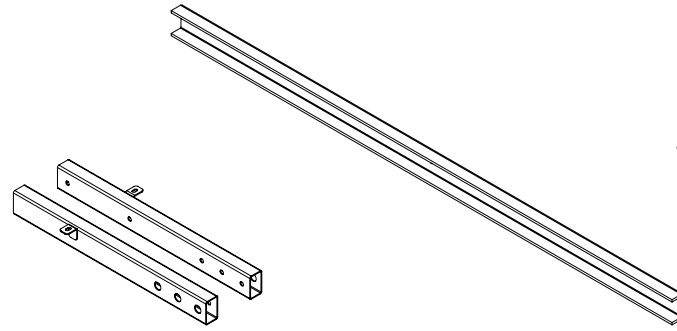
### Parts:



1 x Left & Right Leg Pair

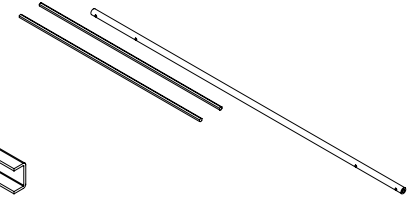


2 x Foot

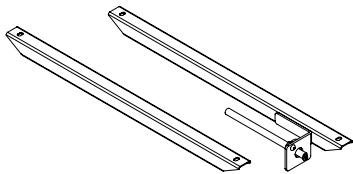


2 x Leg Rail

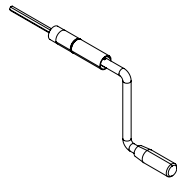
1 x Cross Rail



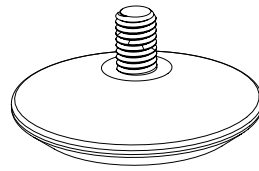
1 x Drive Shaft



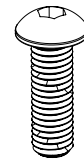
1 x L&R Support Bar Pair



1 x Winder



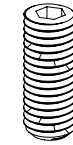
4 x Levelling Foot



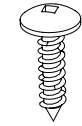
8 x M8x25



10 x M8x10



4 x M10x25

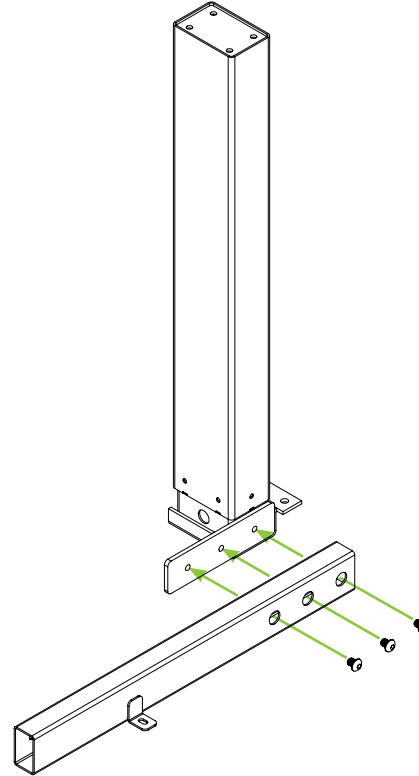
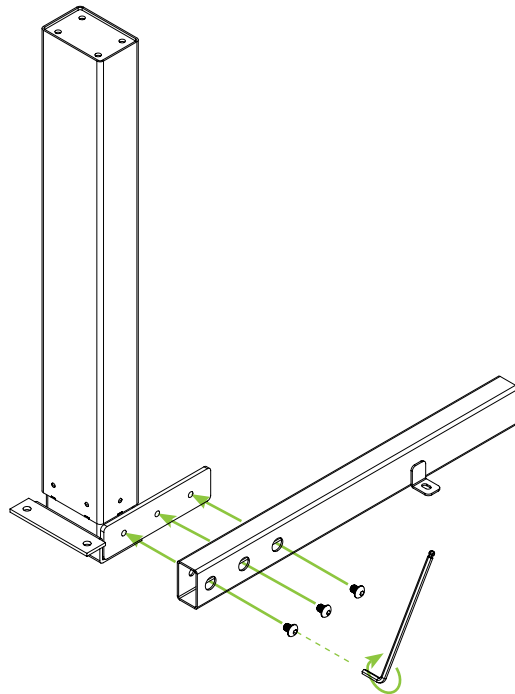


6 x ST5.0x22

### Step 1



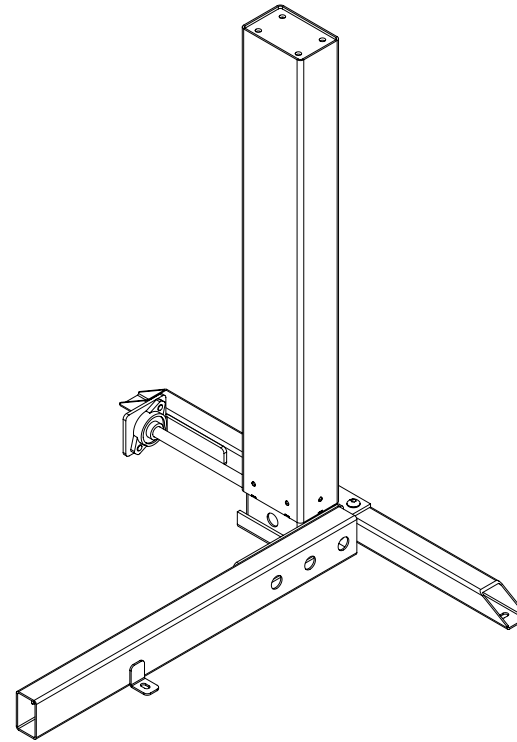
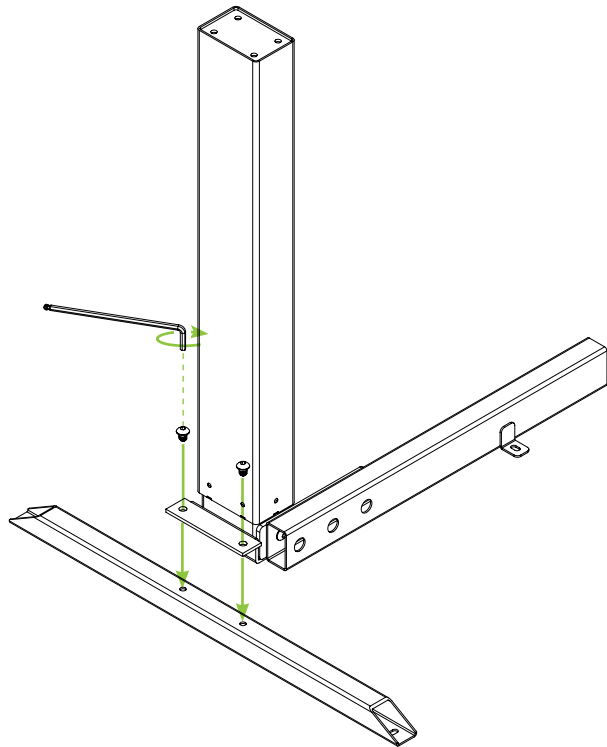
6 x M8x10



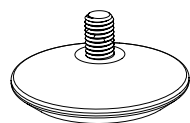
### Step 2



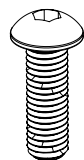
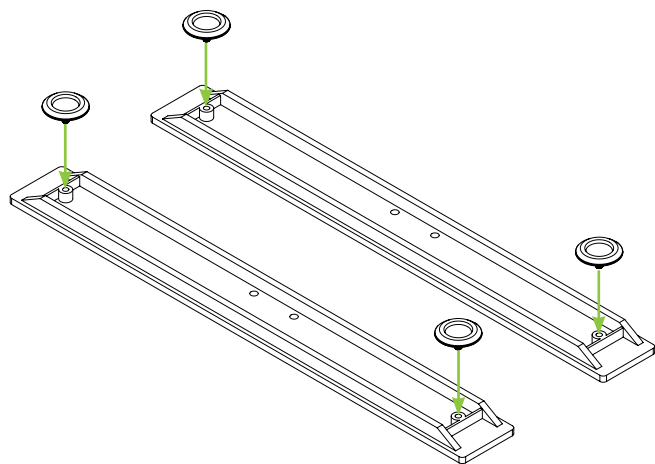
4 x M8x10



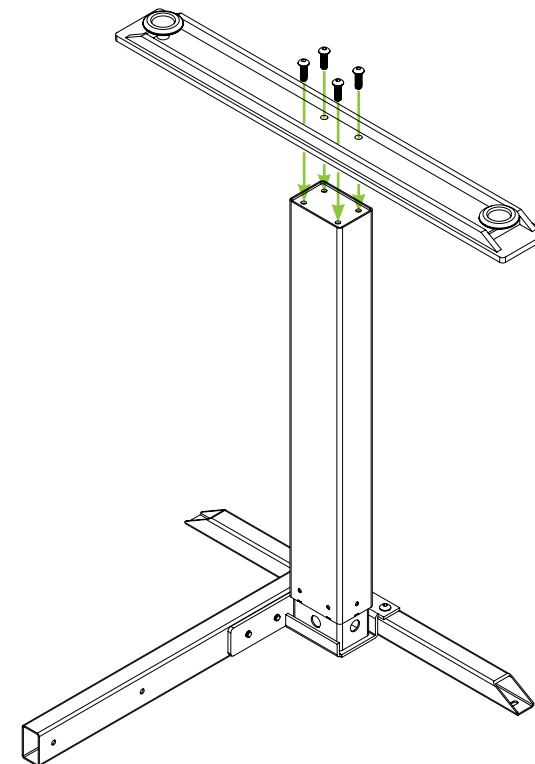
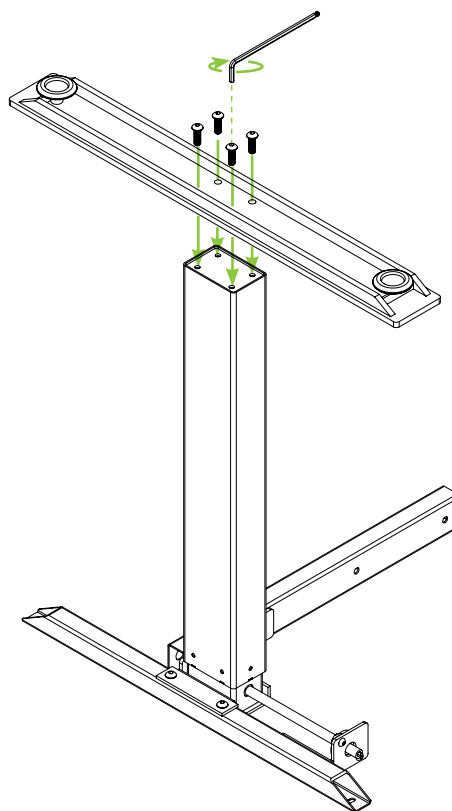
### Step 3



4 x Levelling Foot



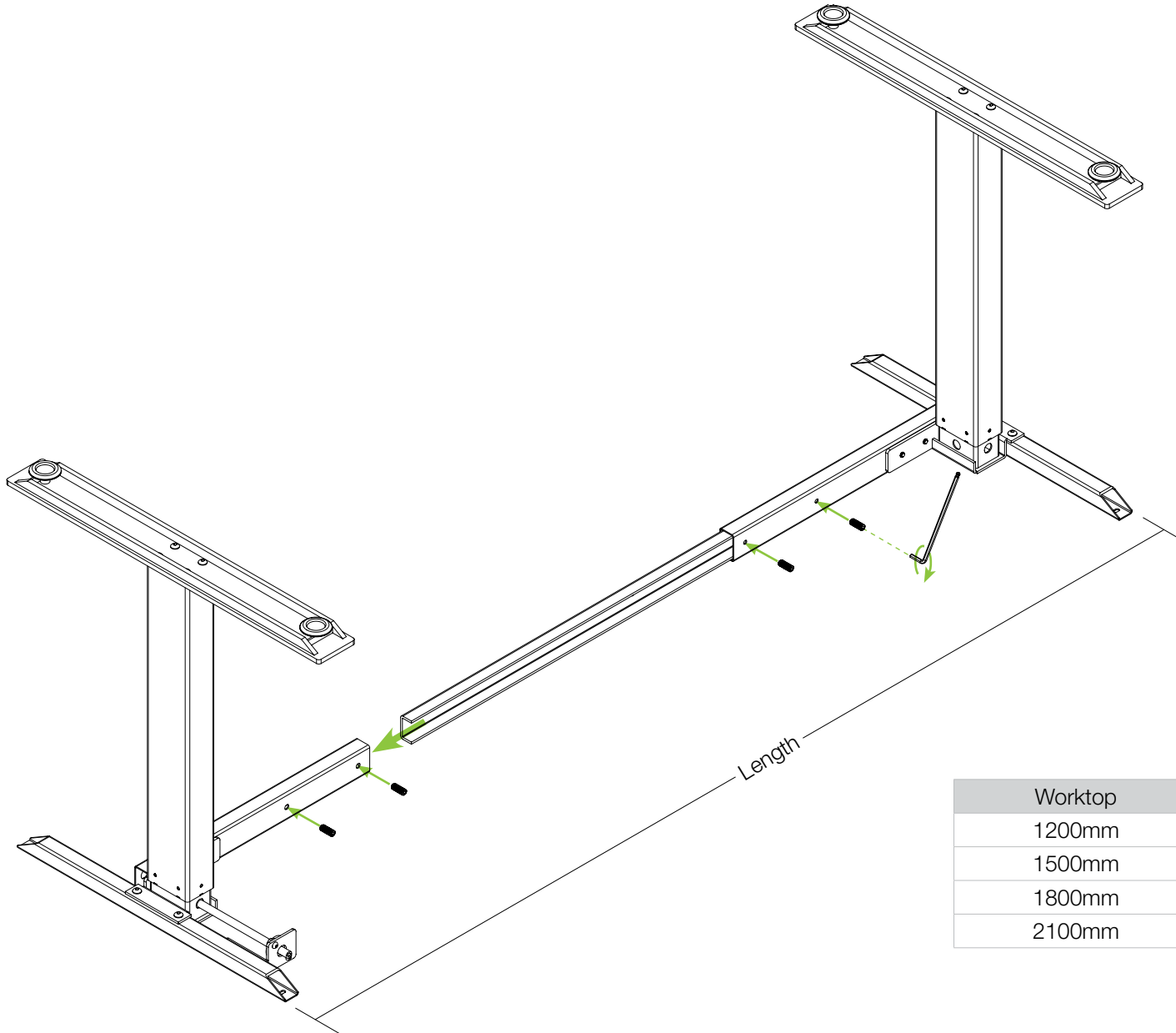
8 x M8x25



### Step 4

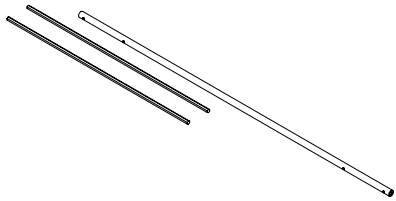


4 x M10x25

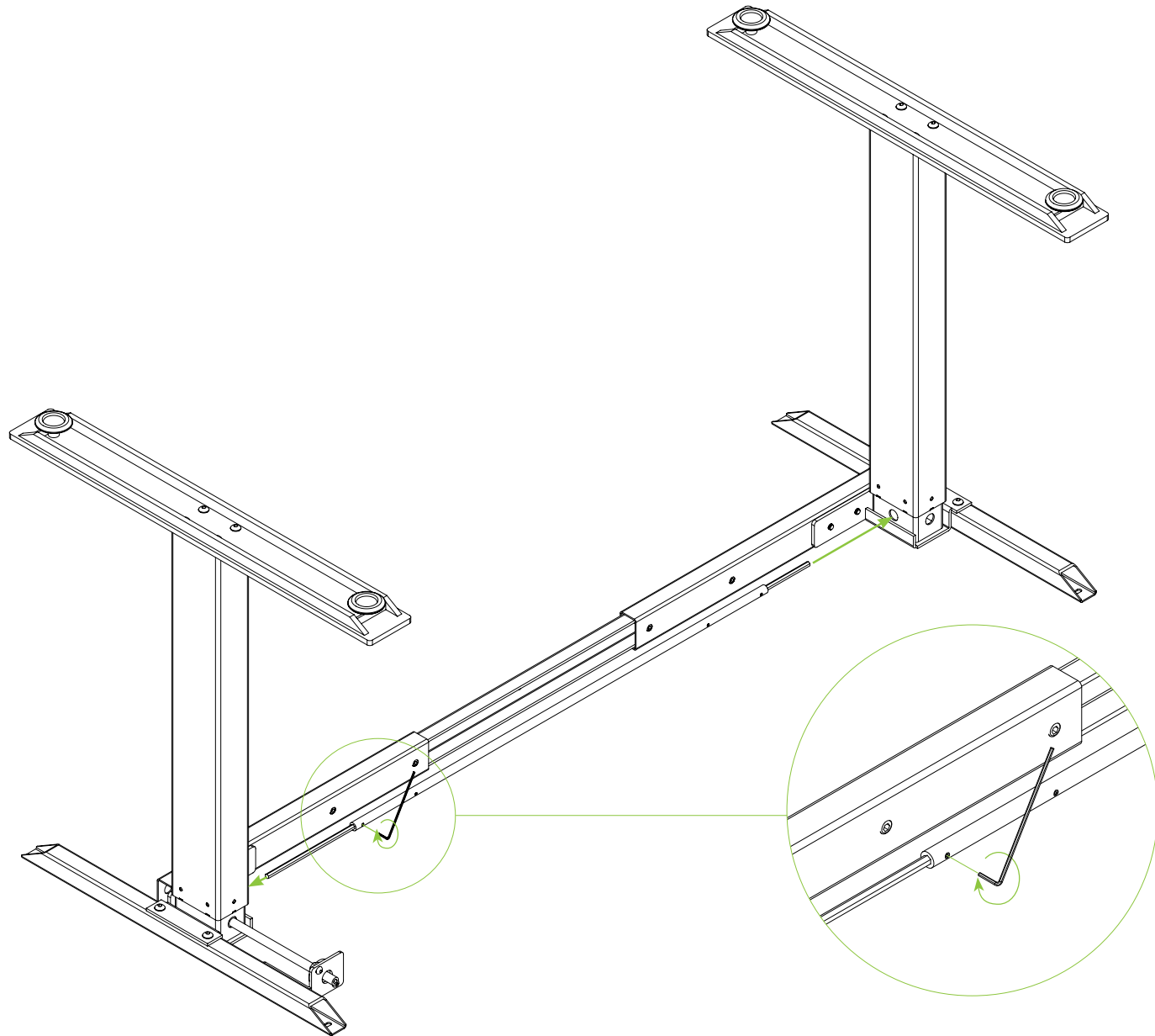


Worktop	Length
1200mm	1125mm
1500mm	1425mm
1800mm	1725mm
2100mm	2025mm

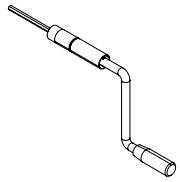
### Step 5



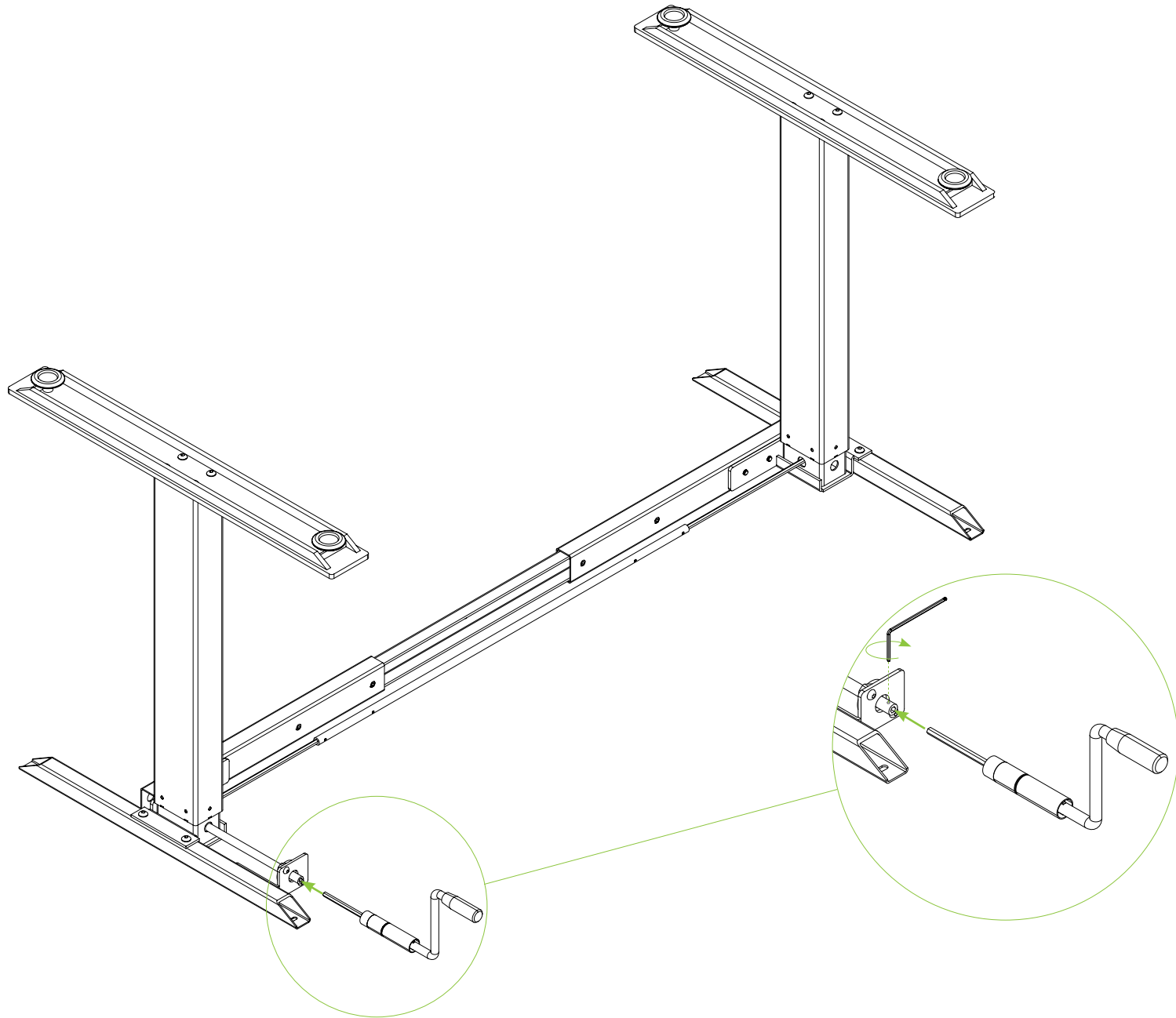
1 x Drive Shaft



### Step 6

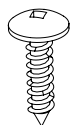


1 x Winder

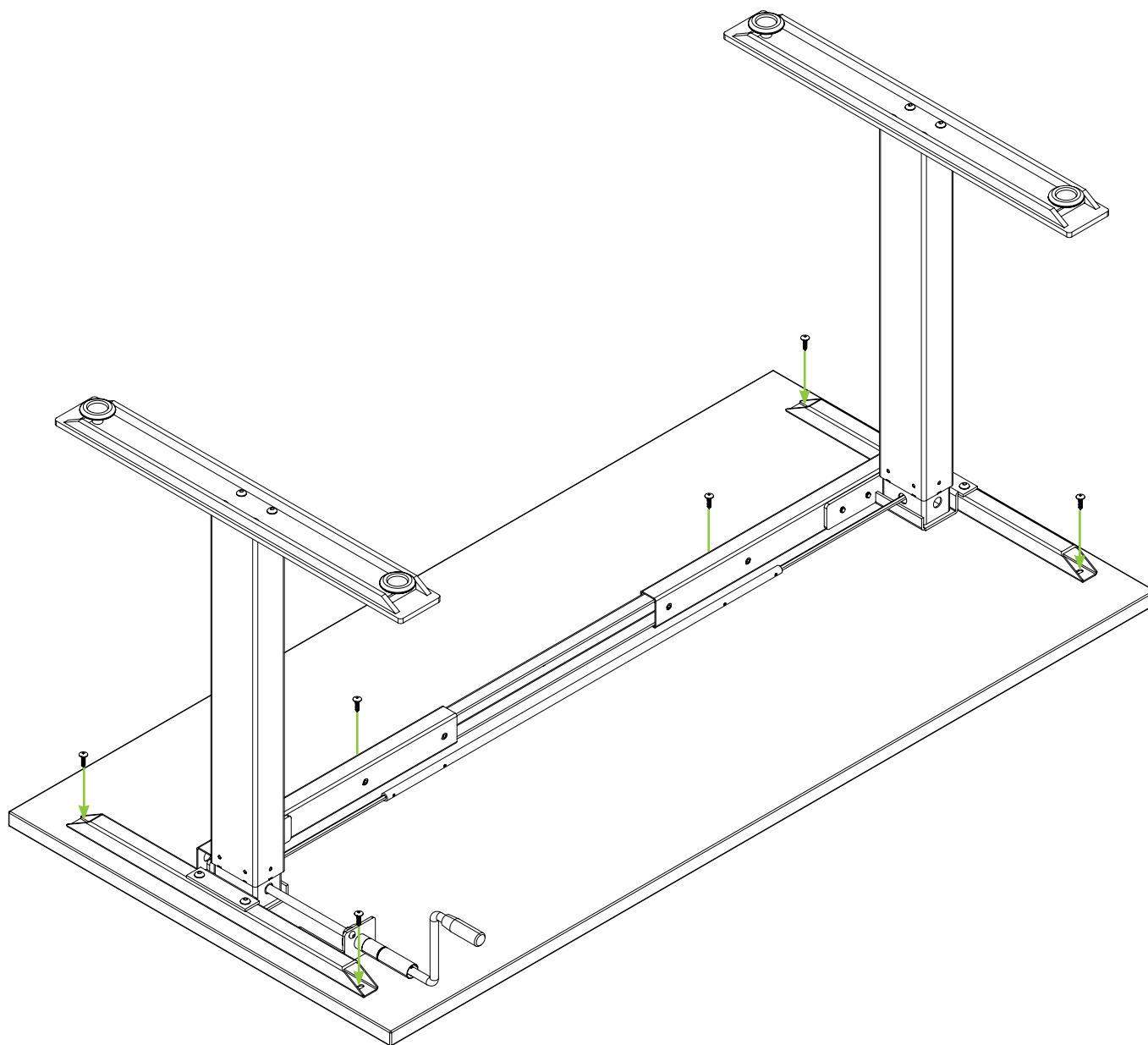




### Step 7



6 x ST5,0x22



## Completed

