

# Agile - Fixed

## Assembly Instructions - Single Sided, Double Sided, Returns

**Tools Required:** Powered Screwdriver

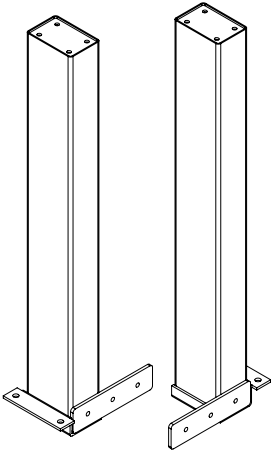


# Agile - Fixed Single Sided Desk

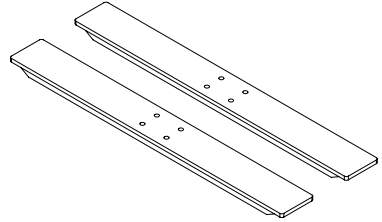
## Assembly Instructions

---

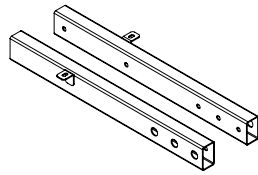
### Parts



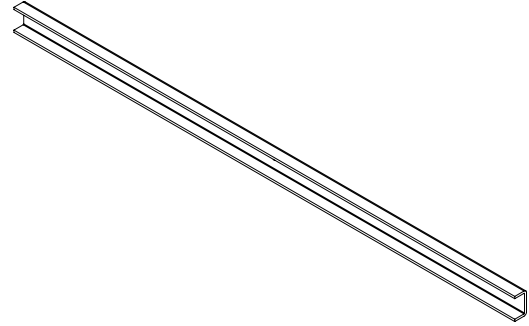
1 x L&R Leg Pair



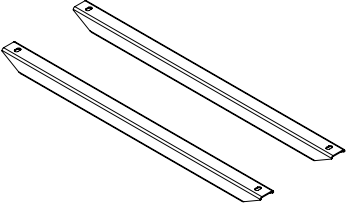
2 x Foot



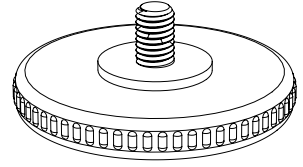
1 x L&R Leg Rail Pair



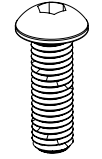
1 x Cross Rail



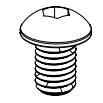
1 x L&R Support Bar Pair



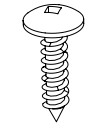
4 x Levelling Foot



8 x M8x25



8 x M8x10



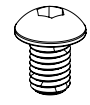
6 x ST5.0x23

---

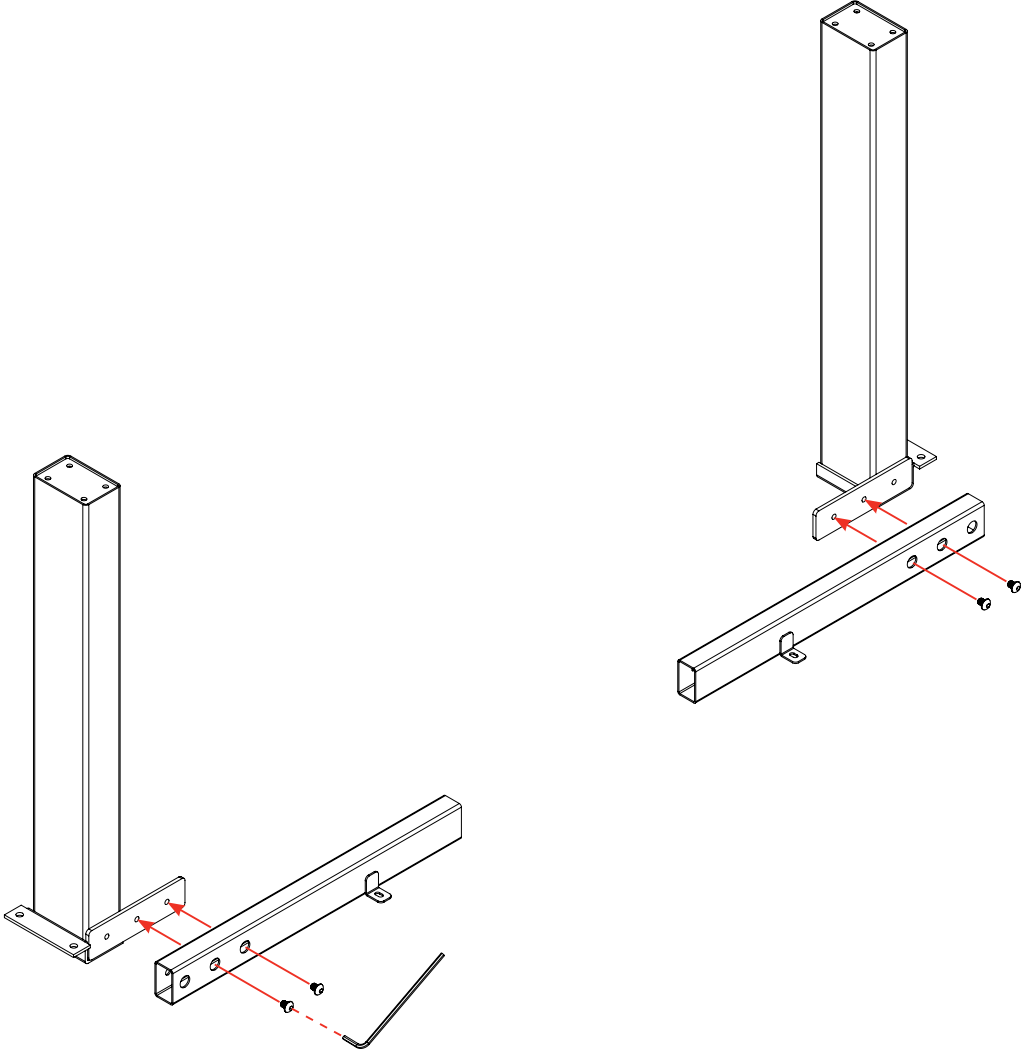
# Agile - Fixed Single Sided Desk

## Assembly Instructions

### Step 1



4 x M8x10



# Agile - Fixed Single Sided Desk

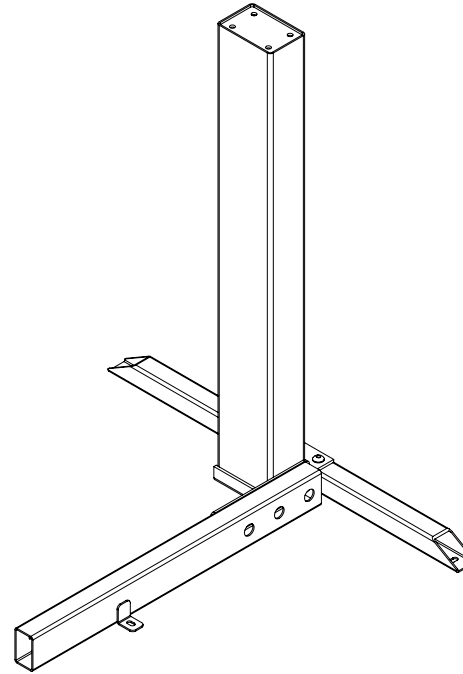
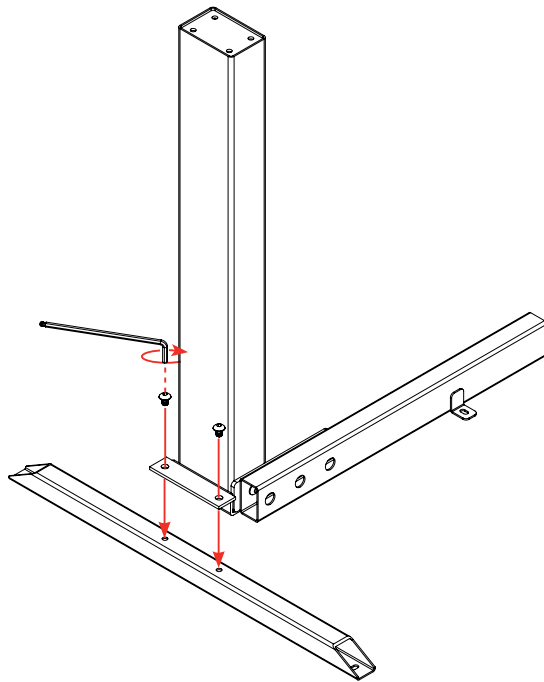
## Assembly Instructions

---

### Step 2



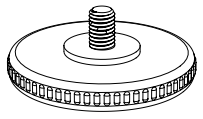
4 x M8x10



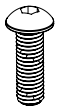
# Agile - Fixed Single Sided Desk

## Assembly Instructions

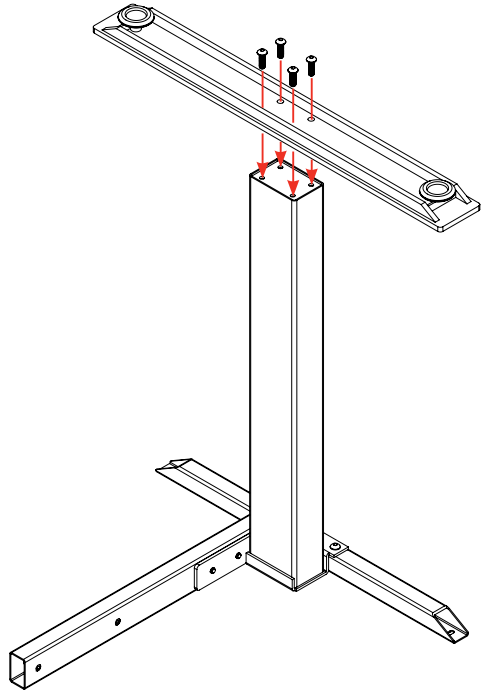
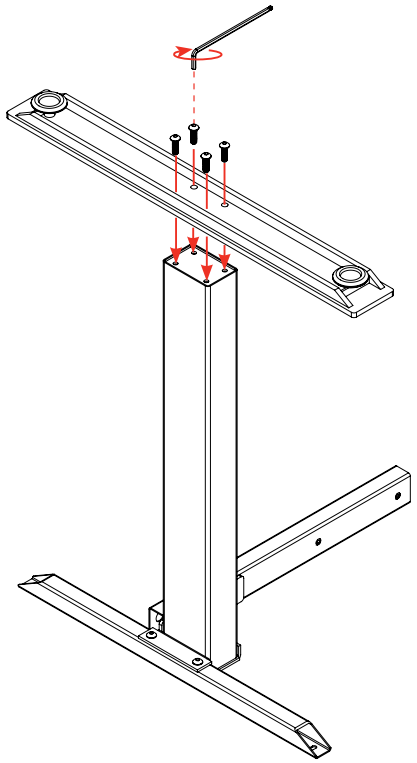
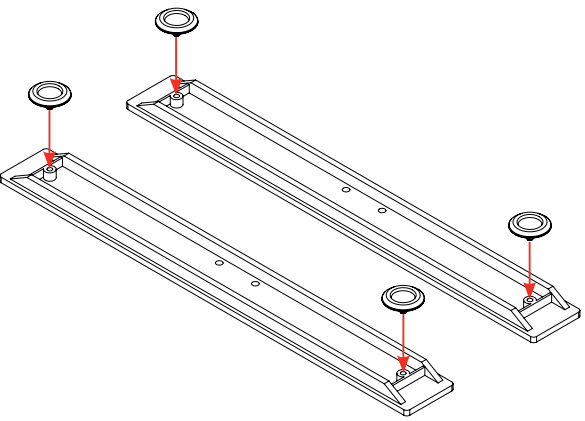
### Step 3



4 x Levelling Foot



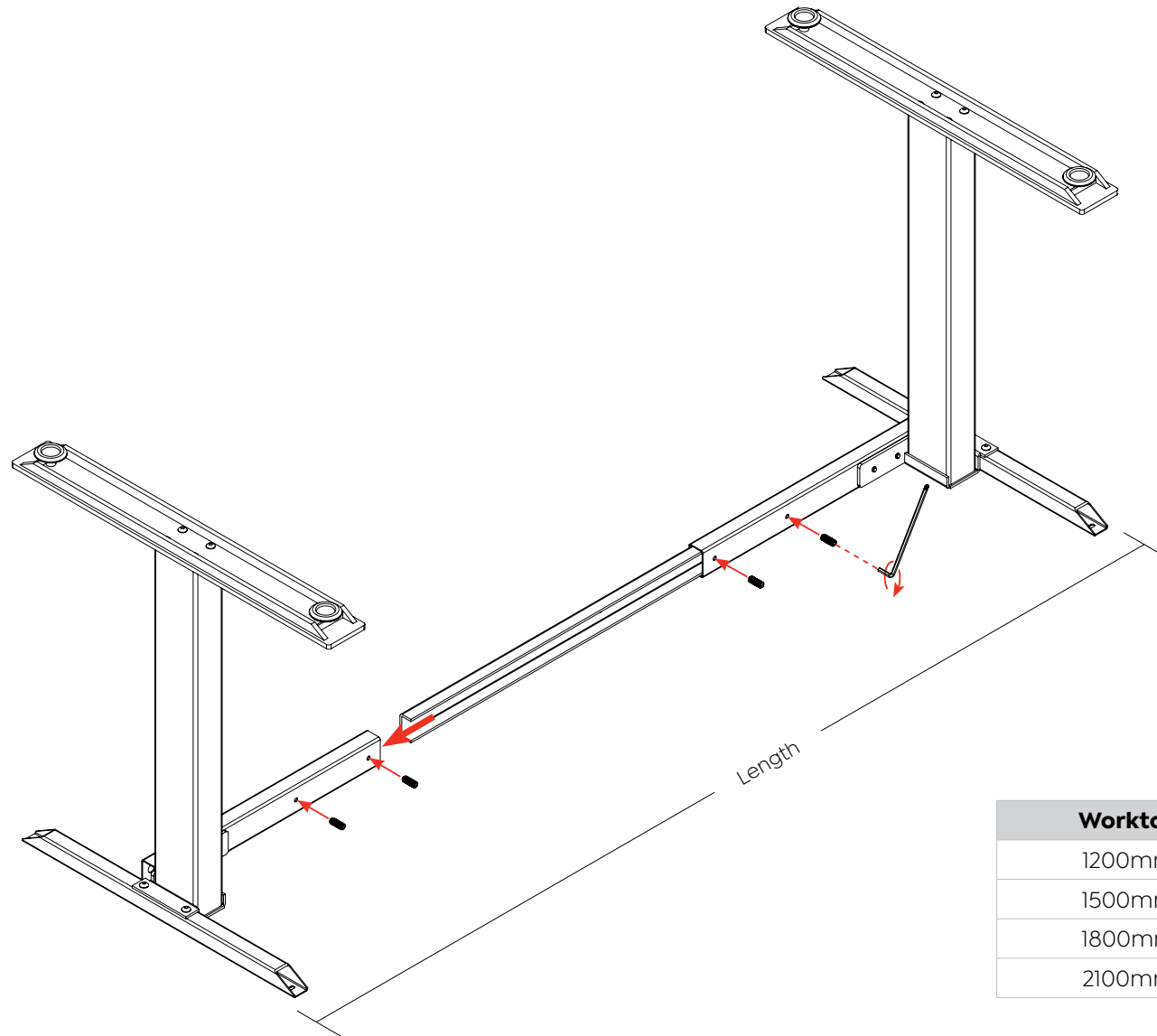
8 x M8x25



# Agile - Fixed Single Sided Desk

## Assembly Instructions

### Step 4

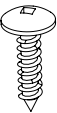


Worktop	Length
1200mm	1125mm
1500mm	1425mm
1800mm	1725mm
2100mm	2025mm

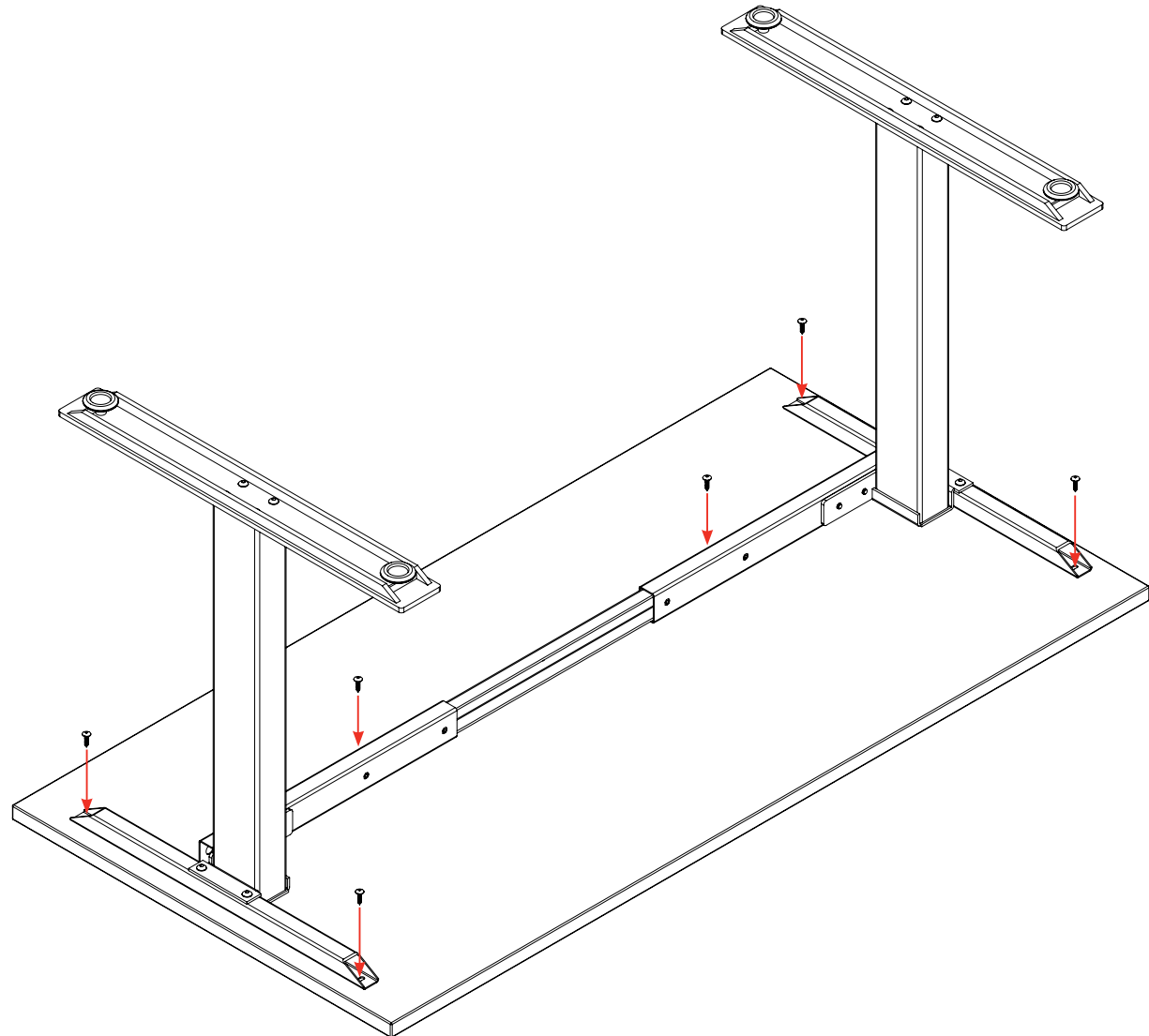
# Agile - Fixed Single Sided Desk

## Assembly Instructions

### Step 5



6 x ST5.0x23



# Agile - Fixed Single Sided Desk

Assembly Instructions

---

## Completed

