

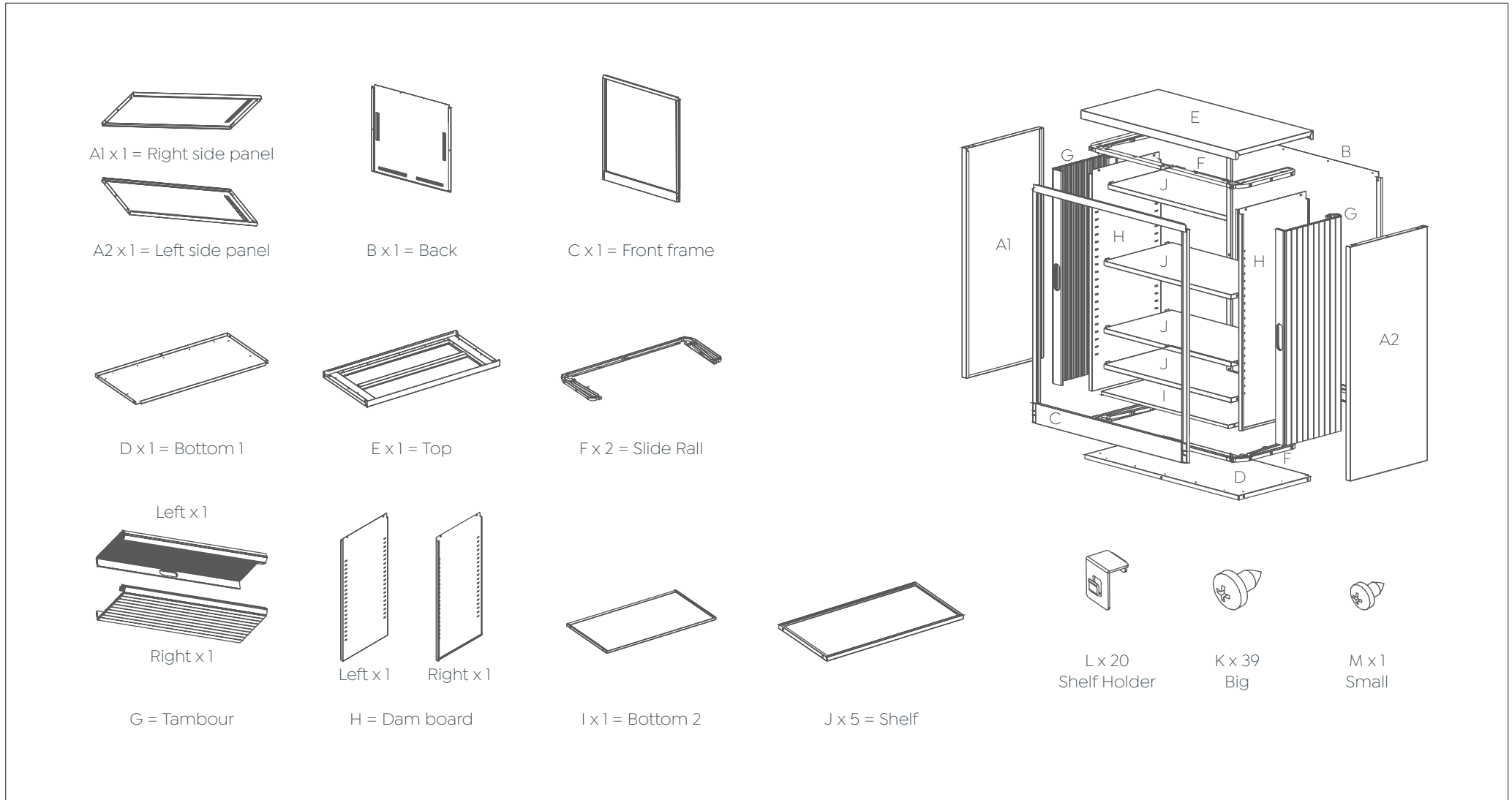
---

## Agile Metal Tambour

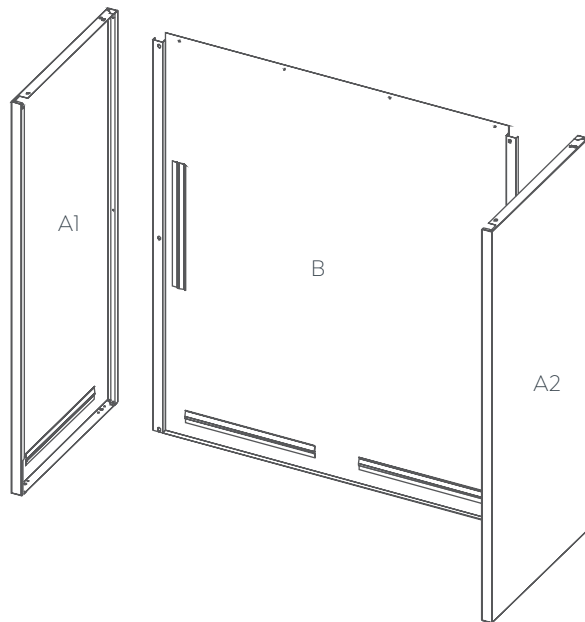
Assembly Instructions

# Agile Metal Tambour

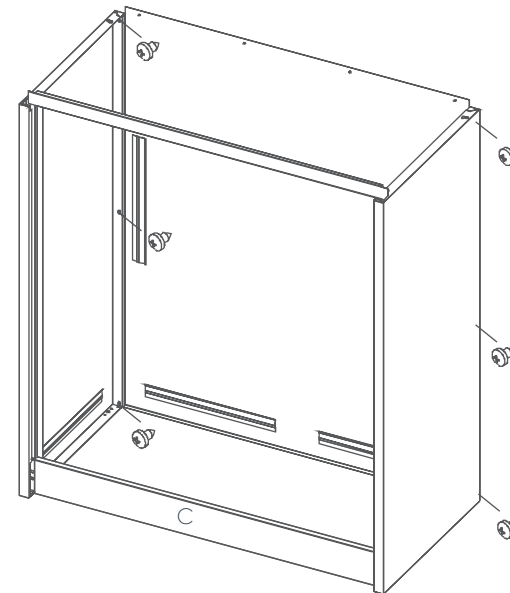
## Components List



### STEP 1 & 2:



Link A1 & A2 with B and fixed by 6 screws.

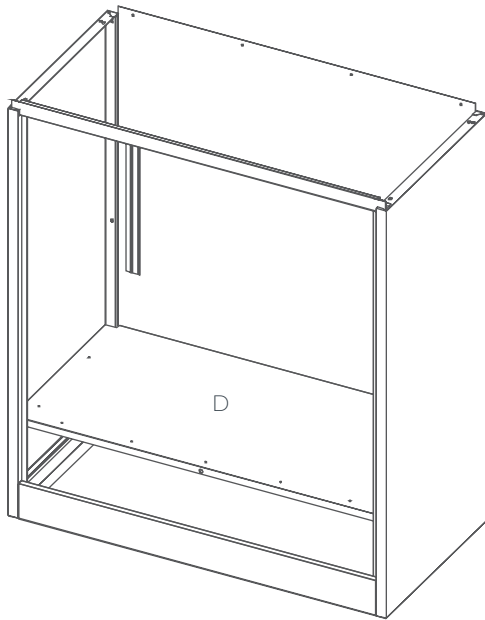


Install C in the body.

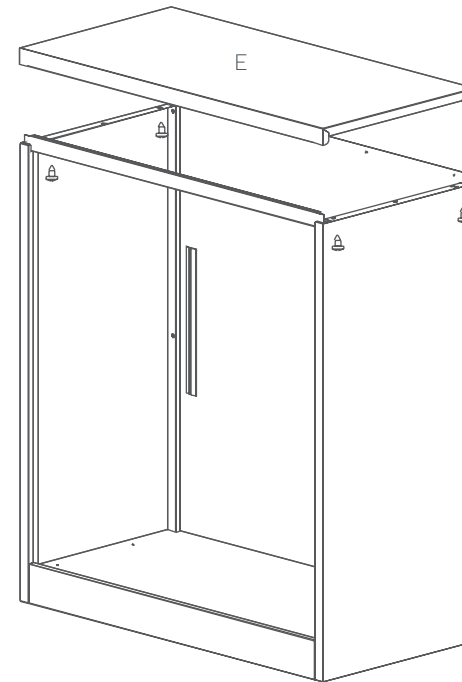
# Agile Metal Tambour

## Assembly Instructions

### STEP 3 & 4:

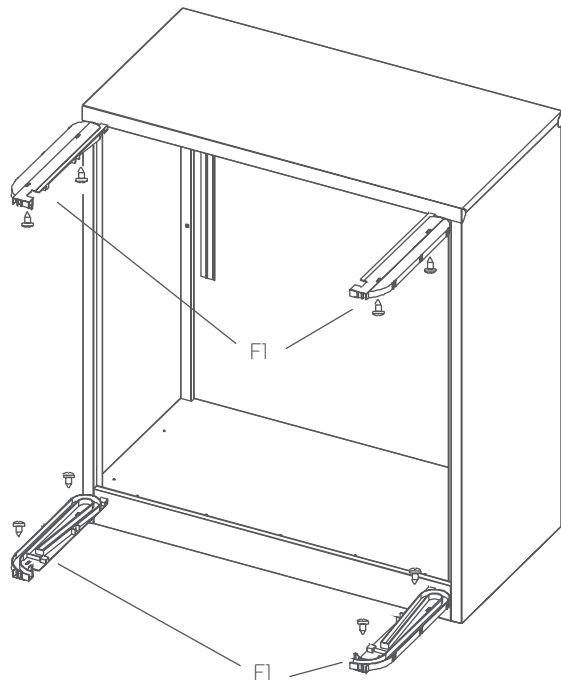


Install D in the body.

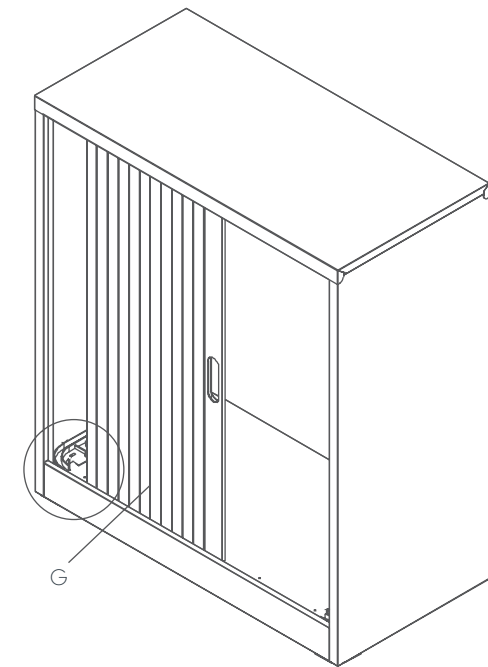
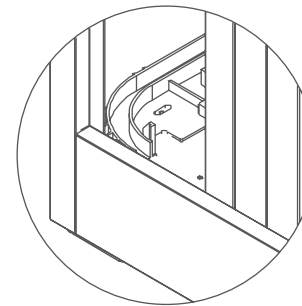


Fix E in the body with 6 screws

### STEP 5 & 6:



Fix F1 in the body with 8 screws.

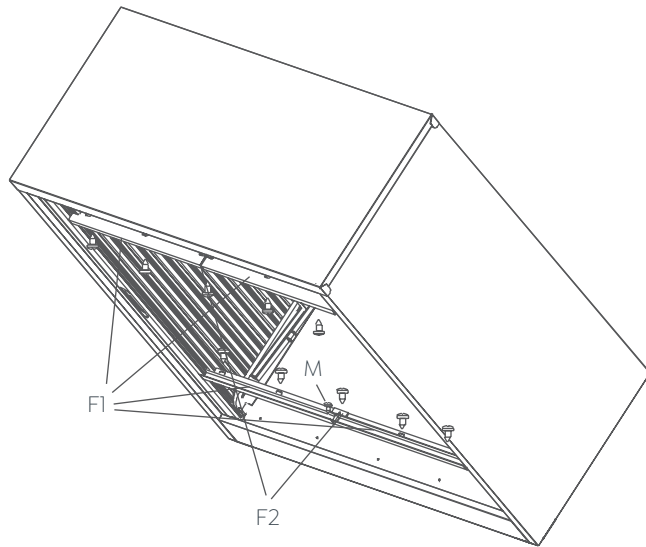


Install G in the body along the rails.

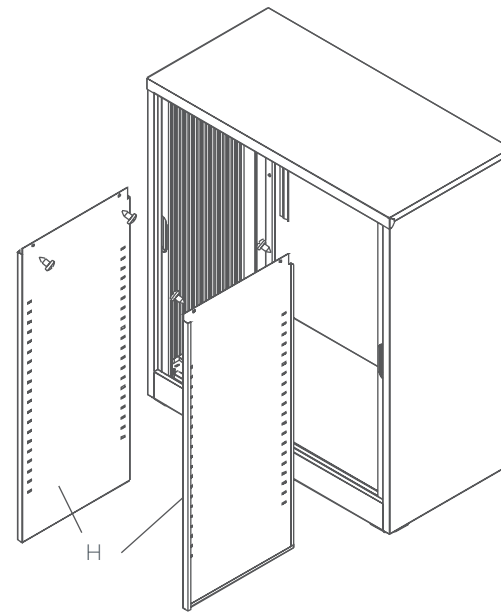
# Agile Metal Tambour

## Assembly Instructions

### STEP 7 & 8:

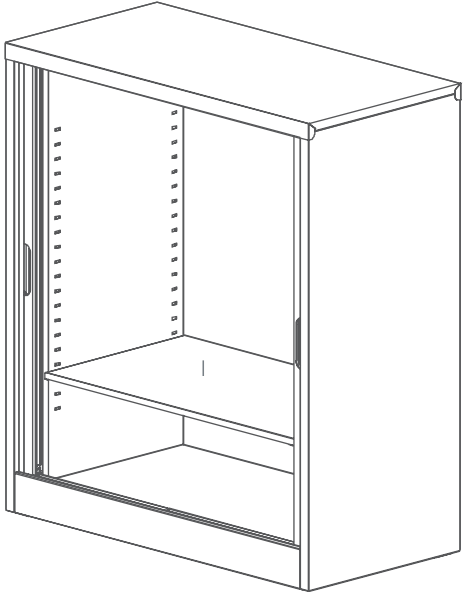


Fix F2 on D with 8 screws and fix F3 onto F2 with 2 screws and 1 small screw

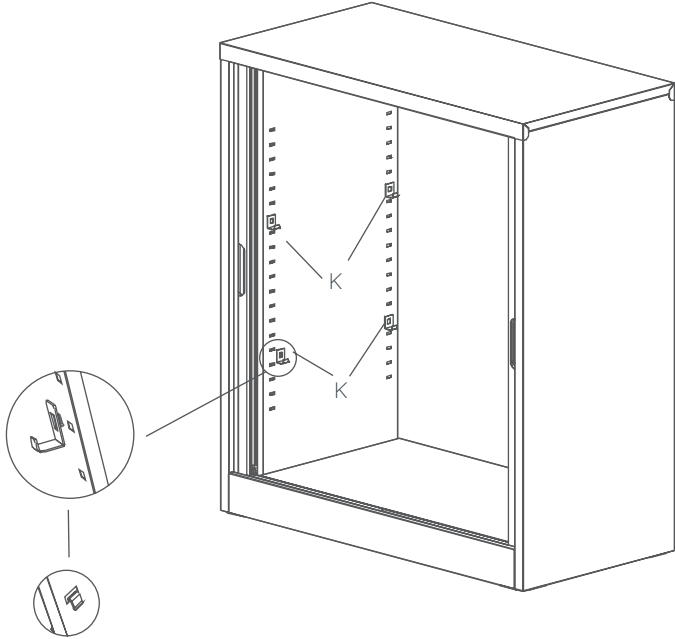


Fix H in the body with 4 screws

STEP 9 & 10:



Install I in the body.

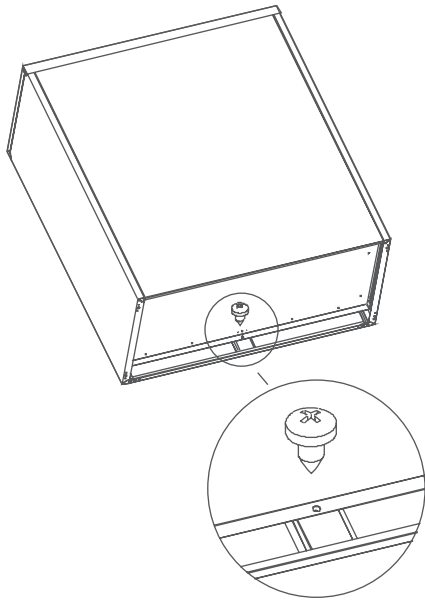


Install L in H's hole.

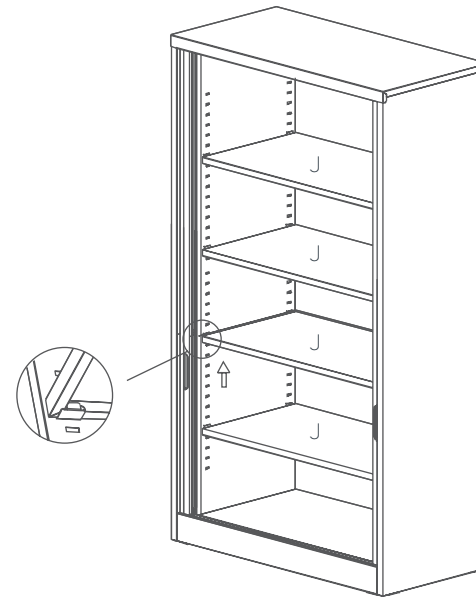
# Agile Metal Tambour

## Assembly Instructions

### STEP 11 & 12:



Put down the cabinet and fix D & C with 1 screw.



Put 2 shelves on L.