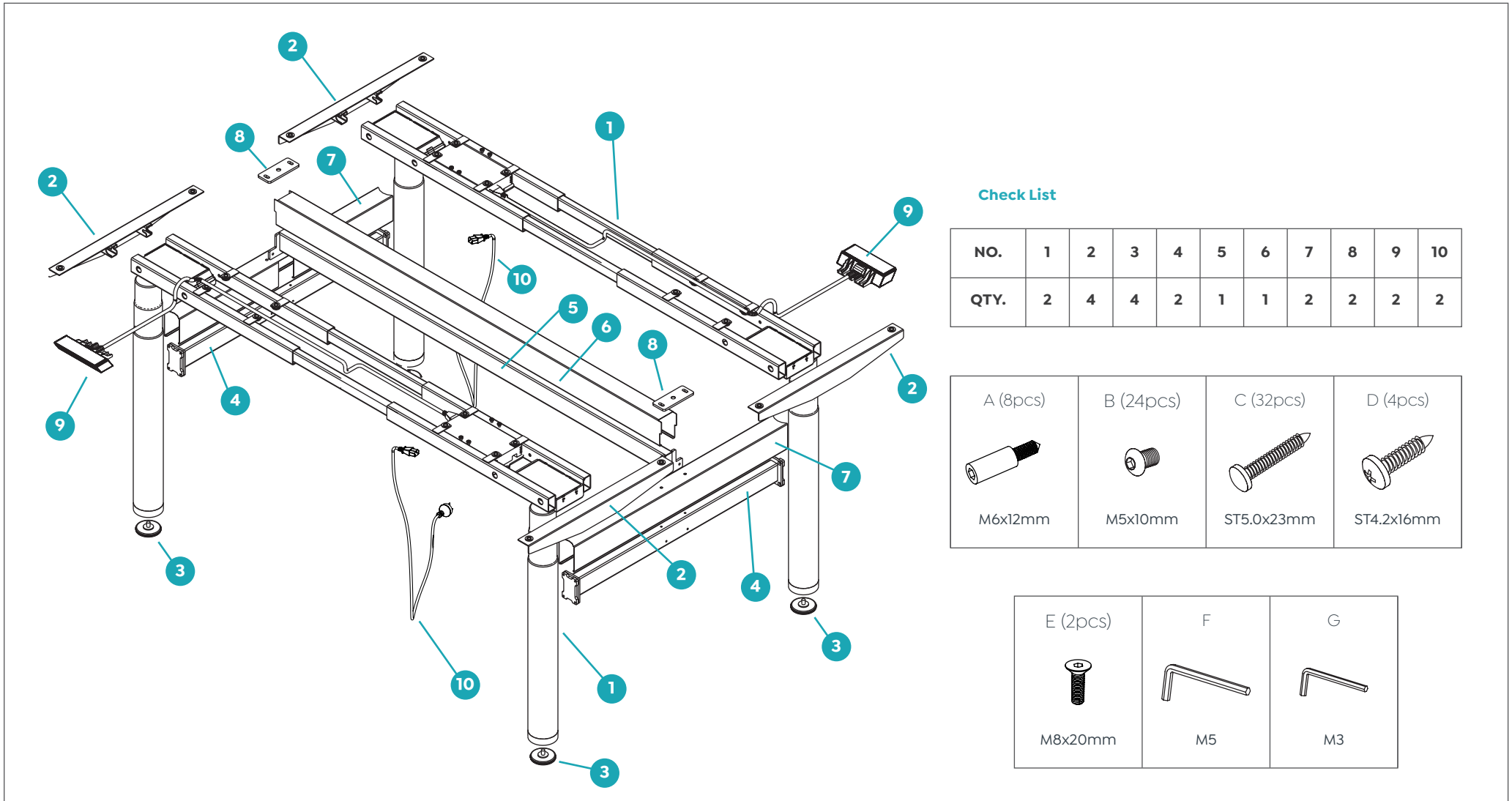


Agile+ Round Leg Double Sided Desk

Assembly Instructions

Agile+ Round Leg Double Sided Desk




Components List



Check List

NO.	1	2	3	4	5	6	7	8	9	10
QTY.	2	4	4	2	1	1	2	2	2	2

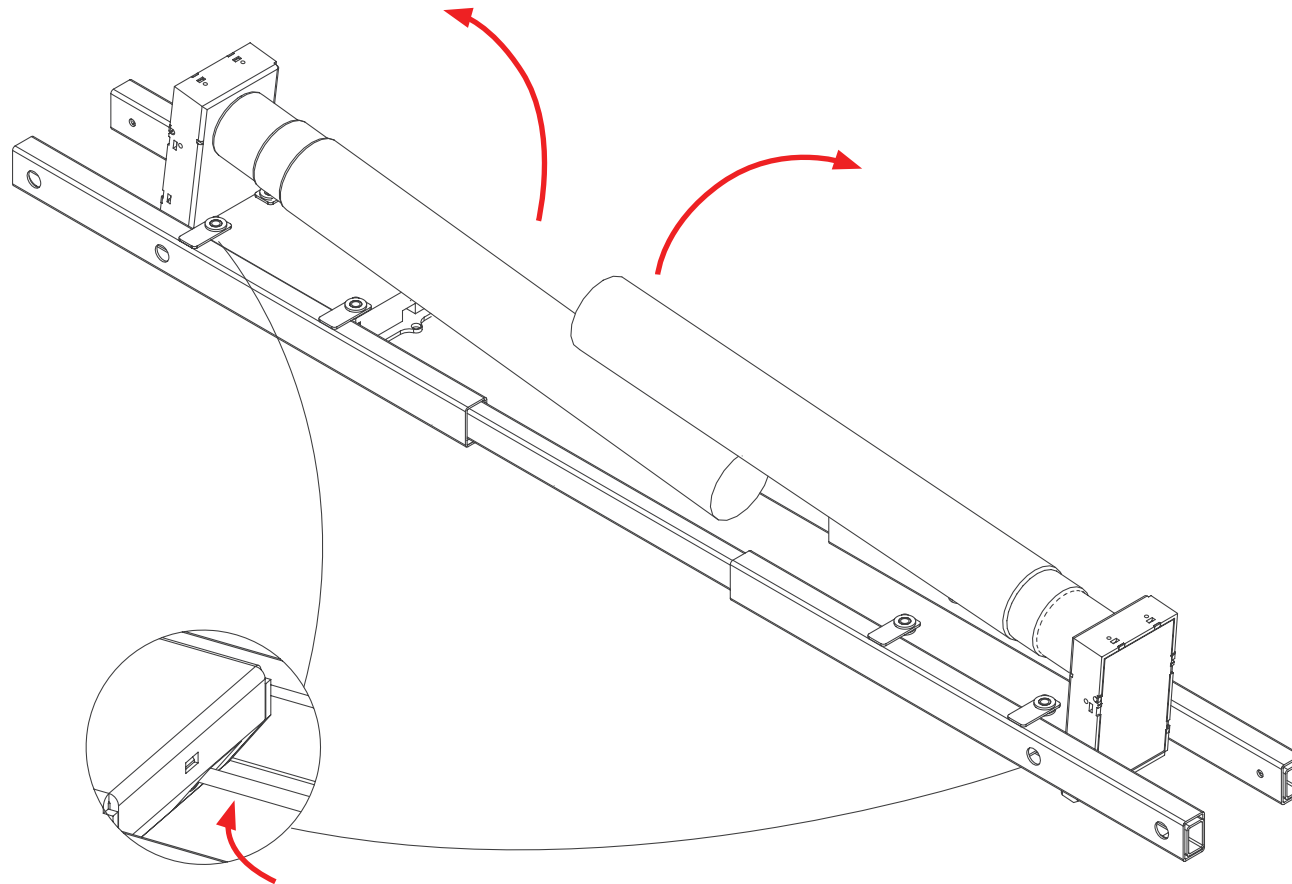
A (8pcs)	B (24pcs)	C (32pcs)	D (4pcs)
			
M6x12mm	M5x10mm	ST5.0x23mm	ST4.2x16mm

E (2pcs)	F	G
		
M8x20mm	M5	M3

Agile+ Round Leg Double Sided Desk

Assembly Instructions

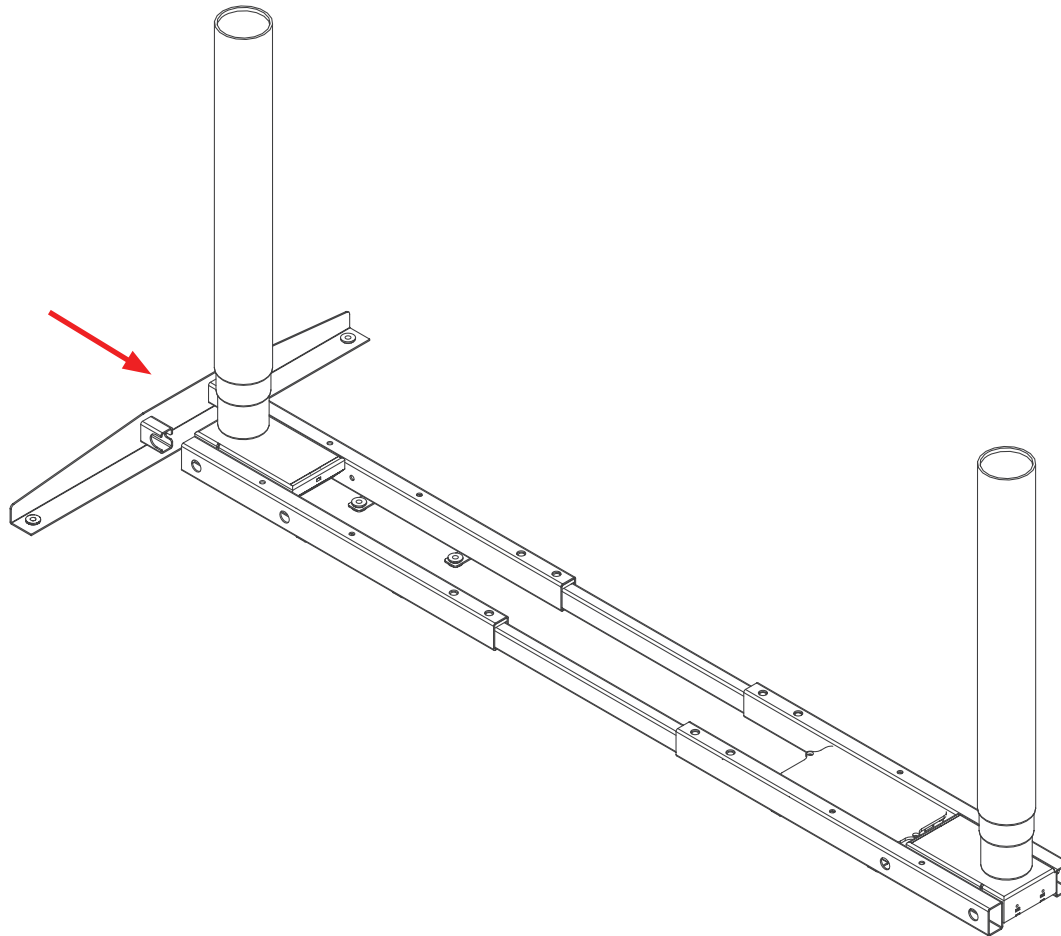
STEP 1:





Agile+ Round Leg Double Sided Desk

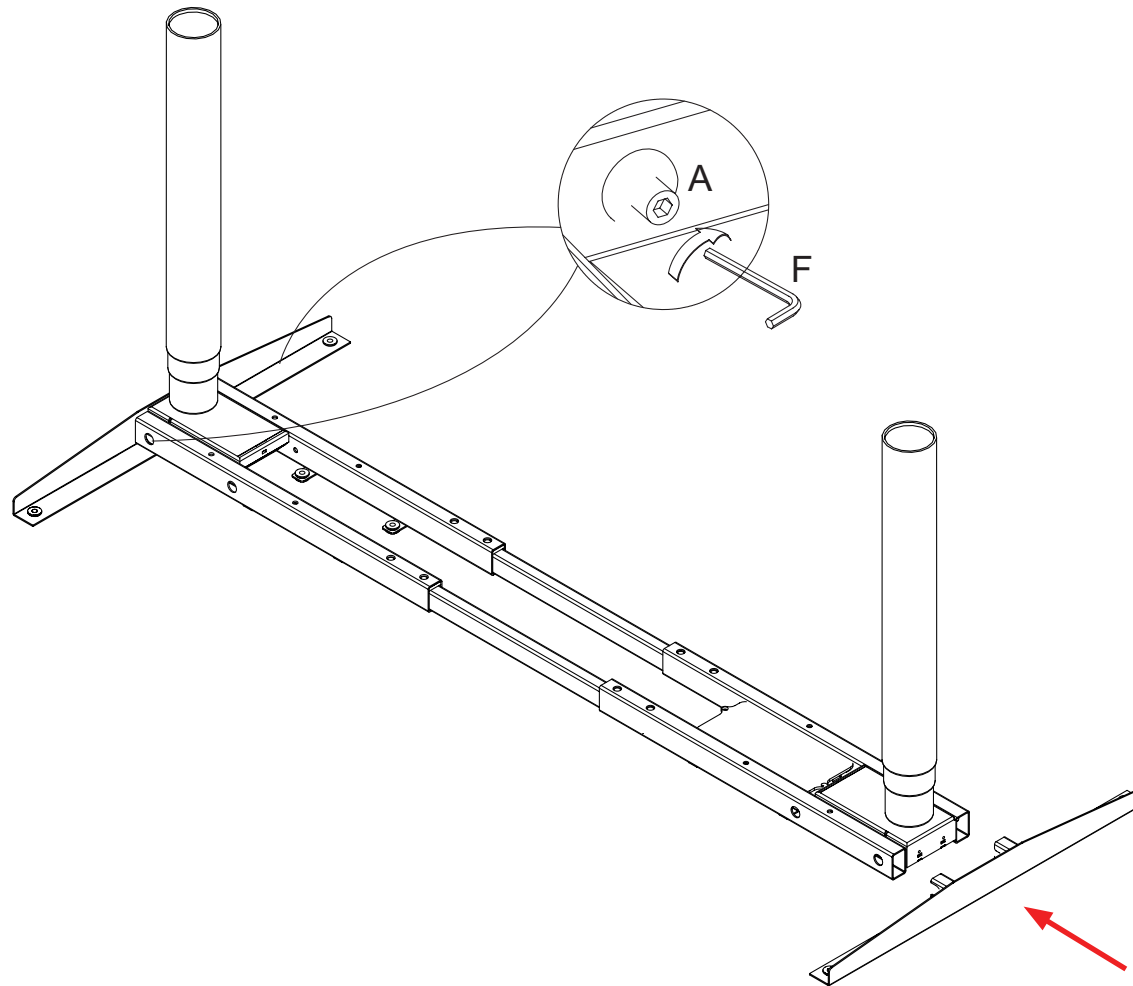
Assembly Instructions

STEP 2:



STEP 3:



A (2pcs)	F
	
M6x12mm	M5

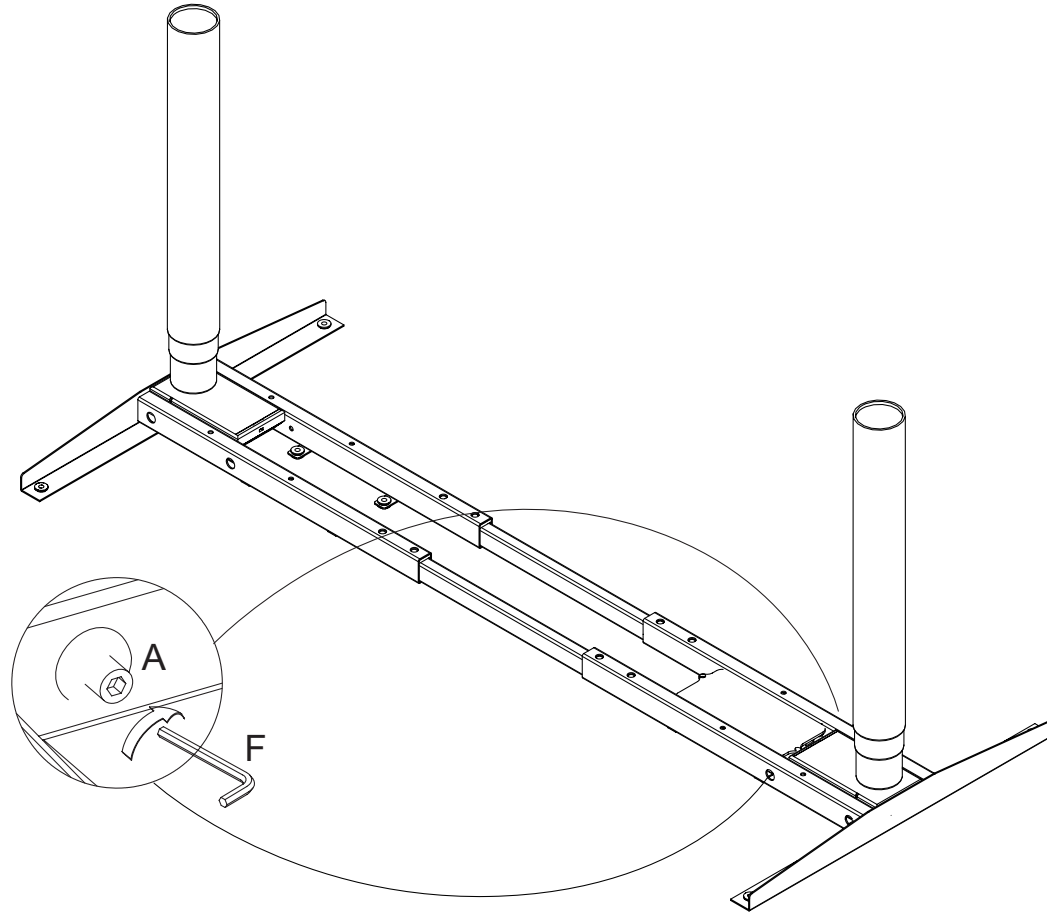


Agile+ Round Leg Double Sided Desk

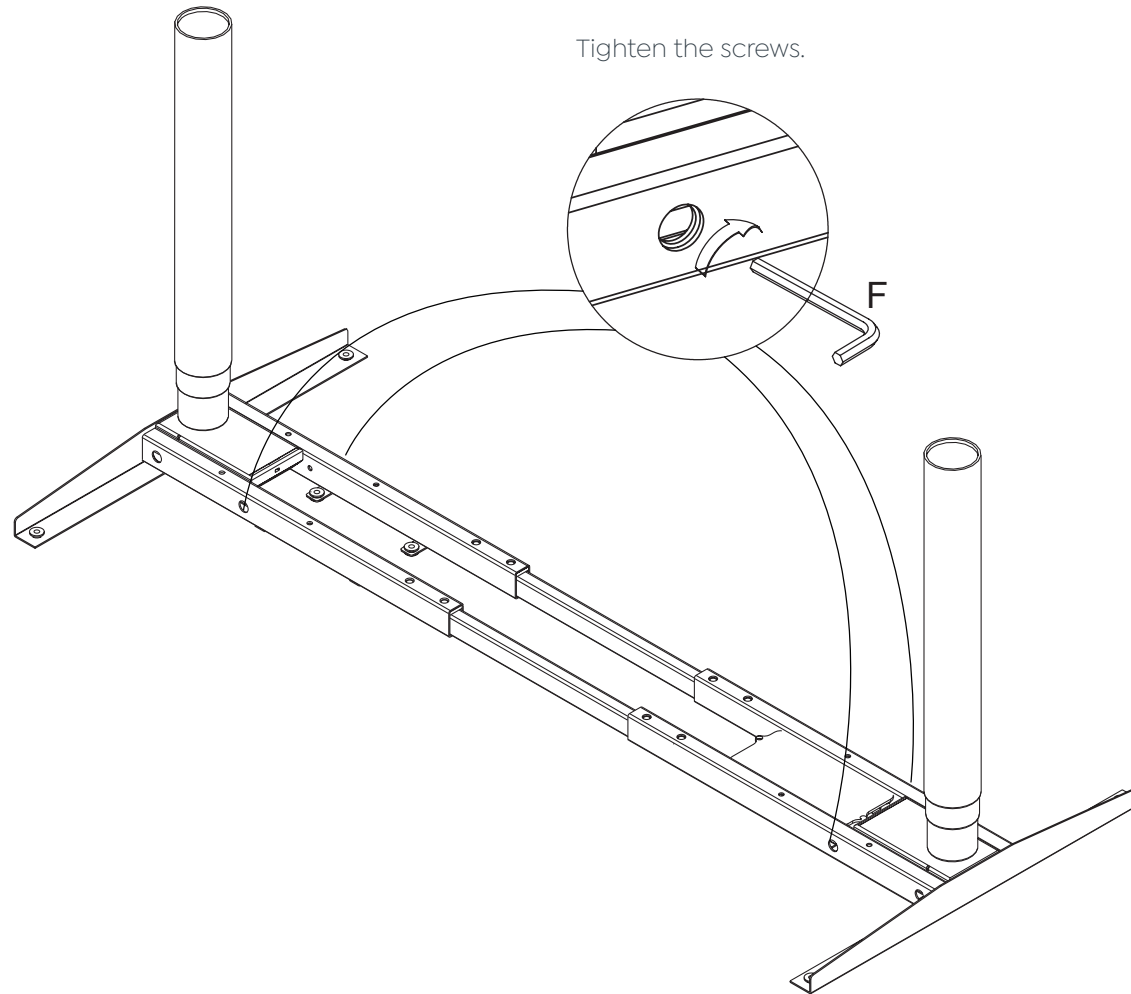
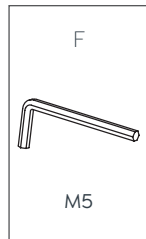
Assembly Instructions

STEP 4:

A (2pcs)	F
	
M6x12mm	M5



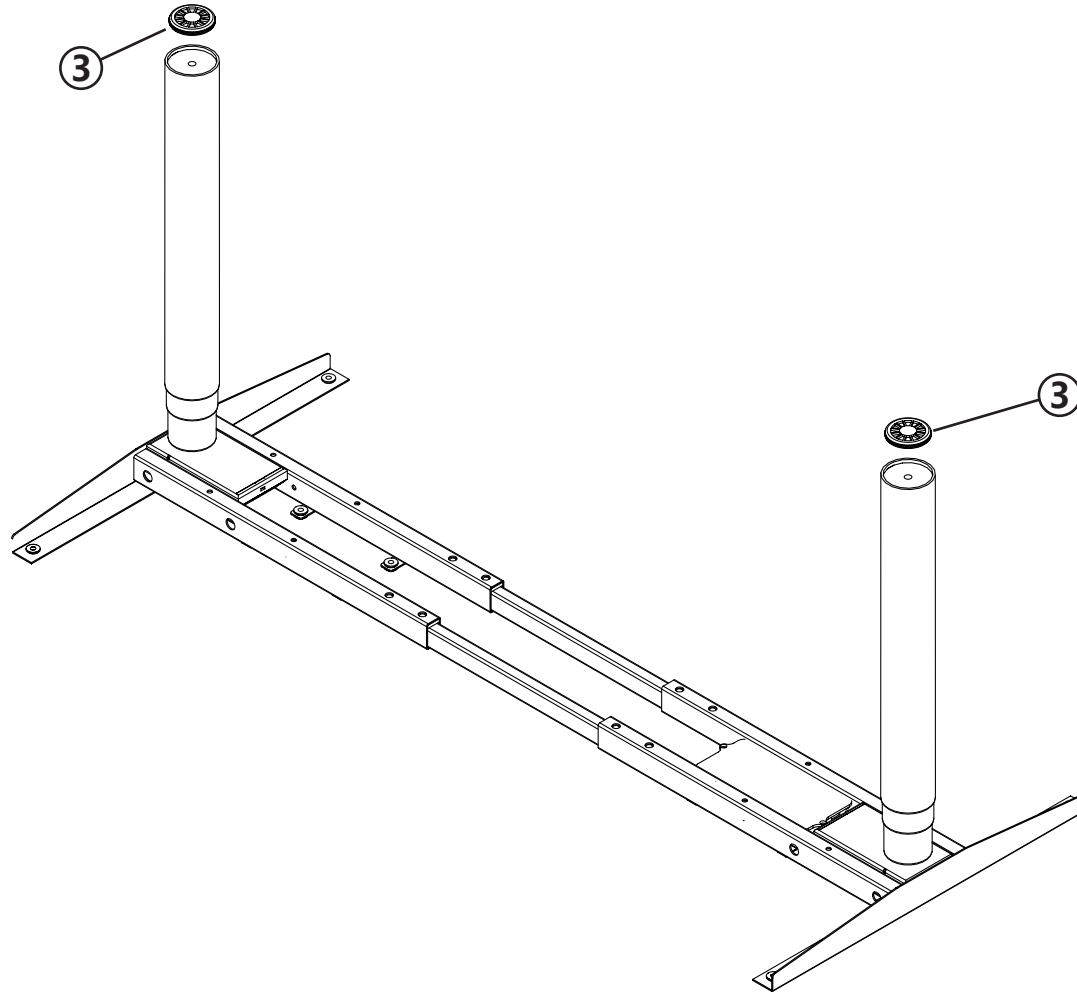
STEP 5:



Agile+ Round Leg Double Sided Desk

Assembly Instructions



STEP 6:

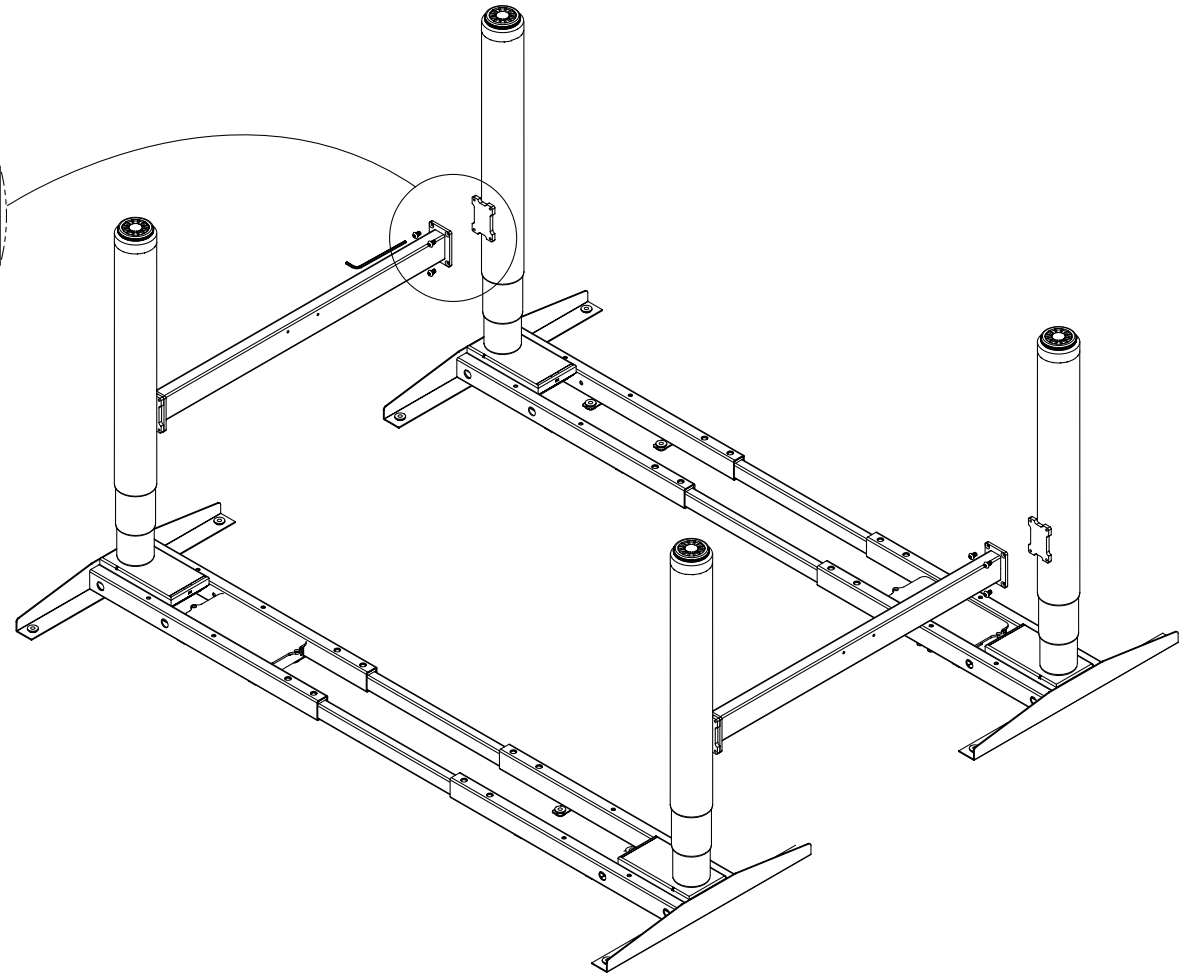
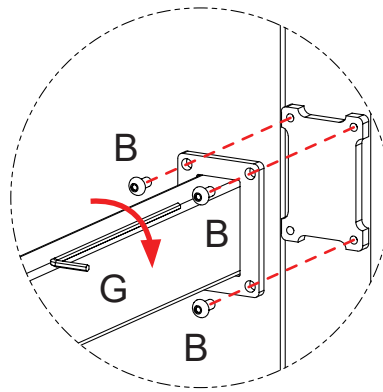


Agile+ Round Leg Double Sided Desk

Assembly Instructions

STEP 7:

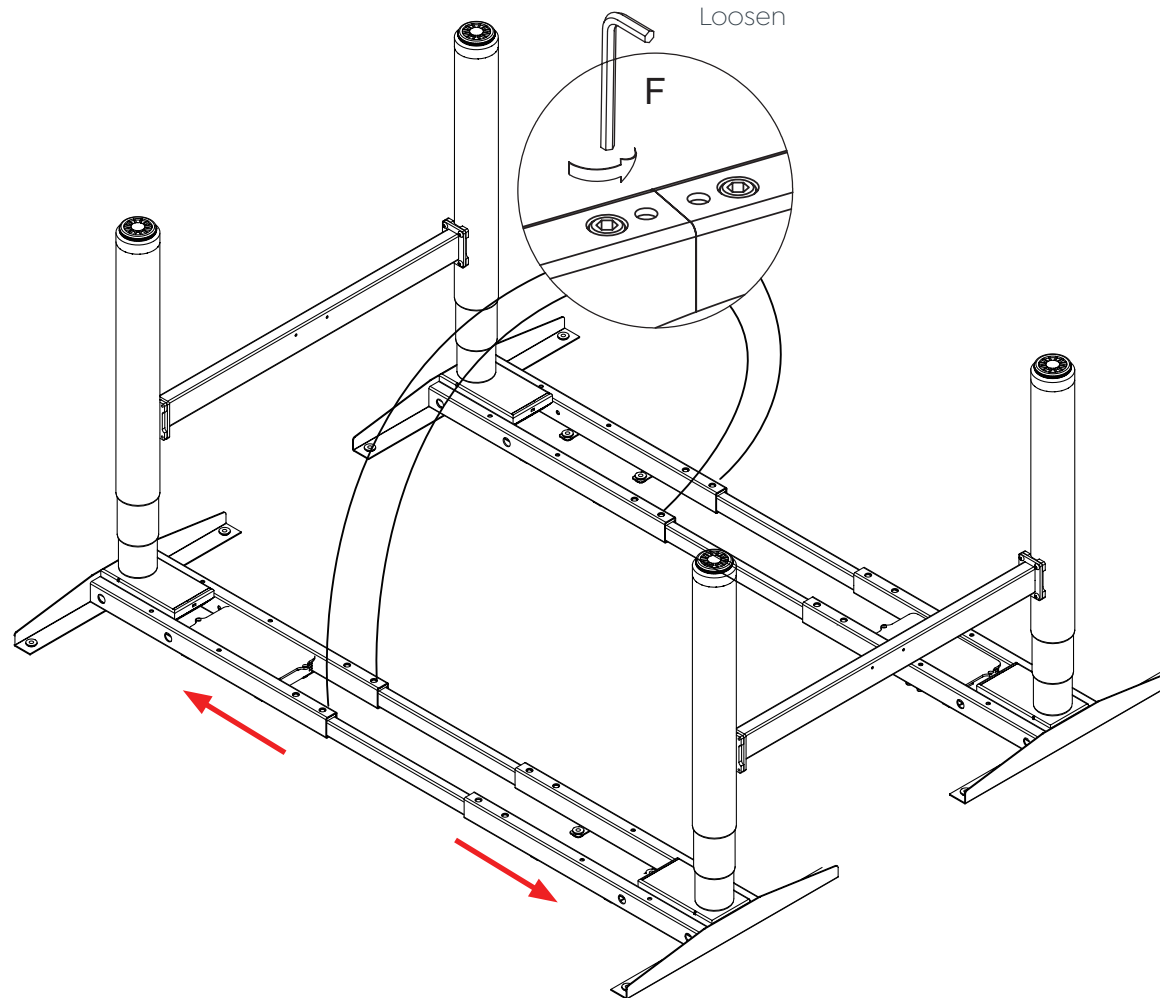
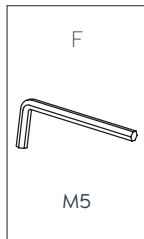
B (16pcs)	G
	
M5x10mm	M3



Agile+ Round Leg Double Sided Desk

Assembly Instructions



STEP 8:

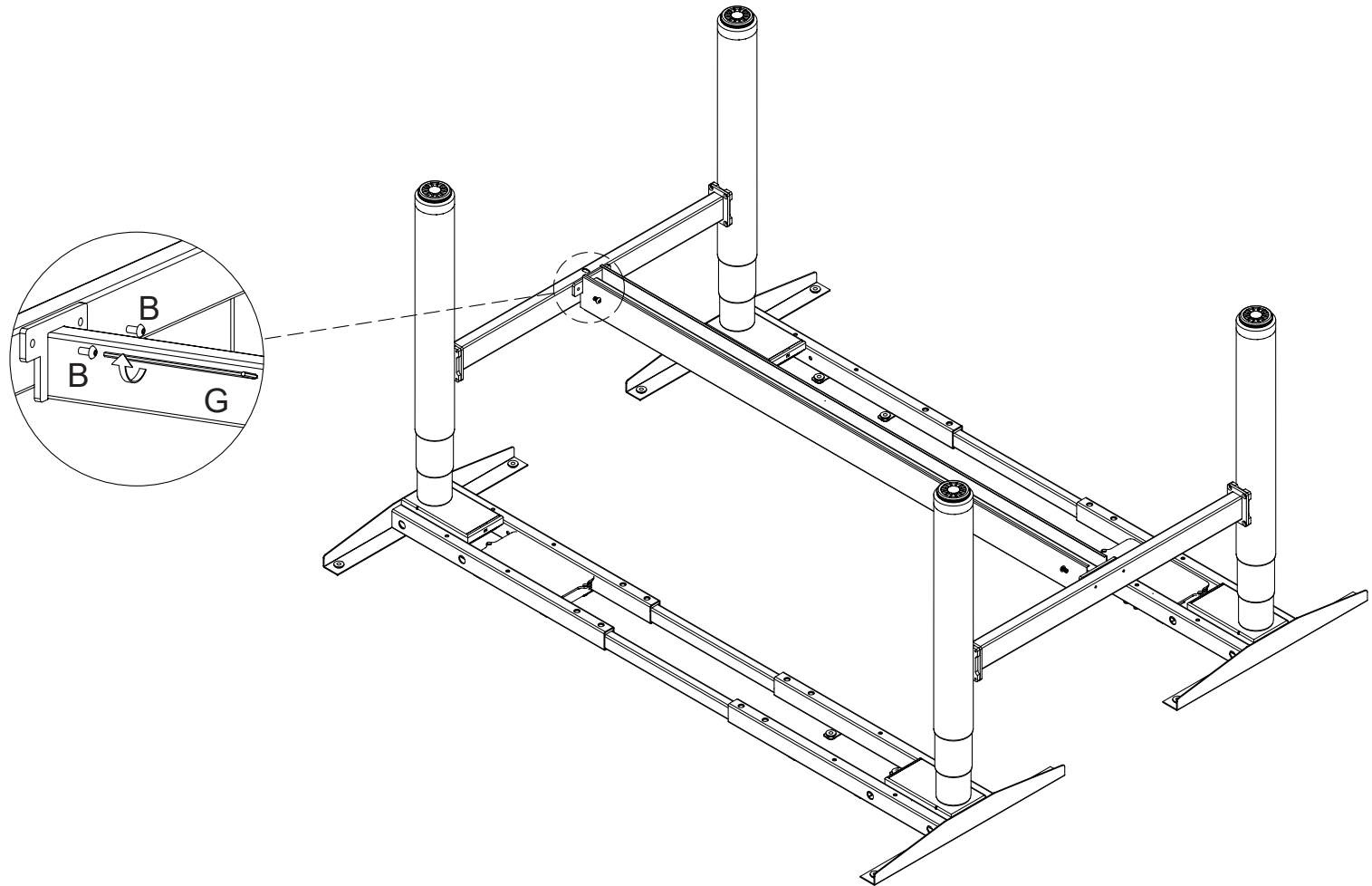


Agile+ Round Leg Double Sided Desk

Assembly Instructions

STEP 9:

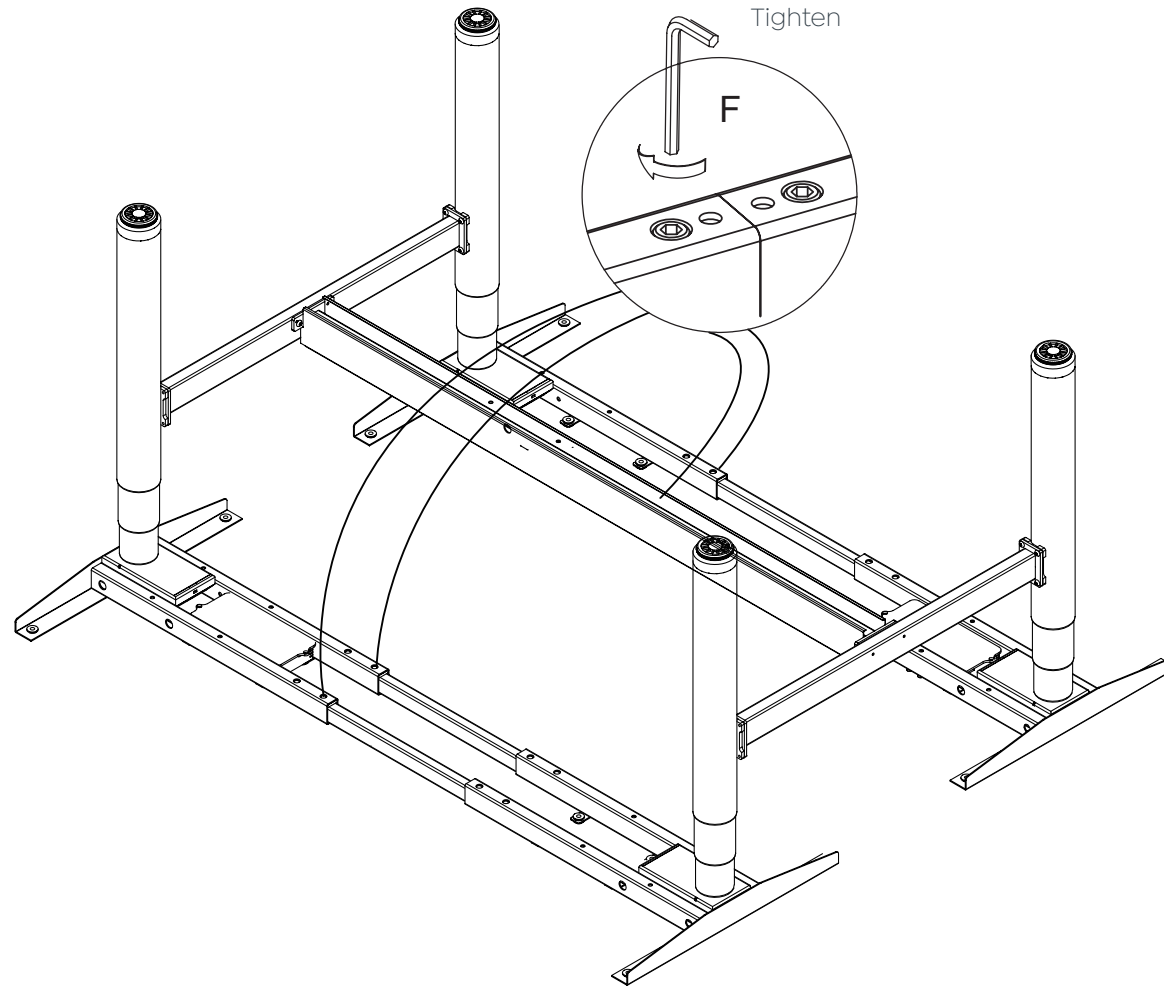
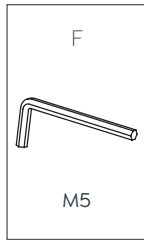
B (4pcs)	G
	
M5x10mm	M3



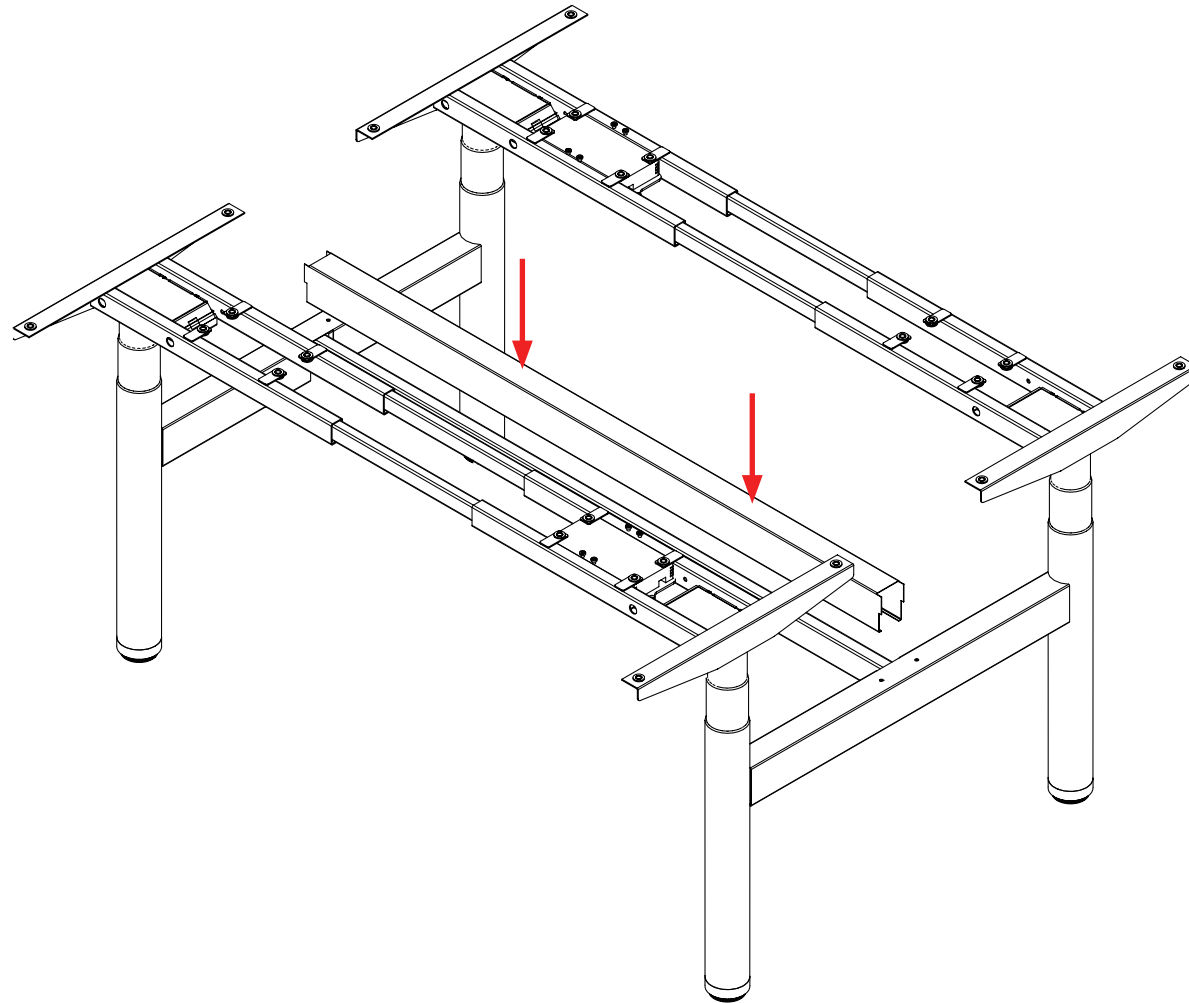
Agile+ Round Leg Double Sided Desk

Assembly Instructions

STEP 10:



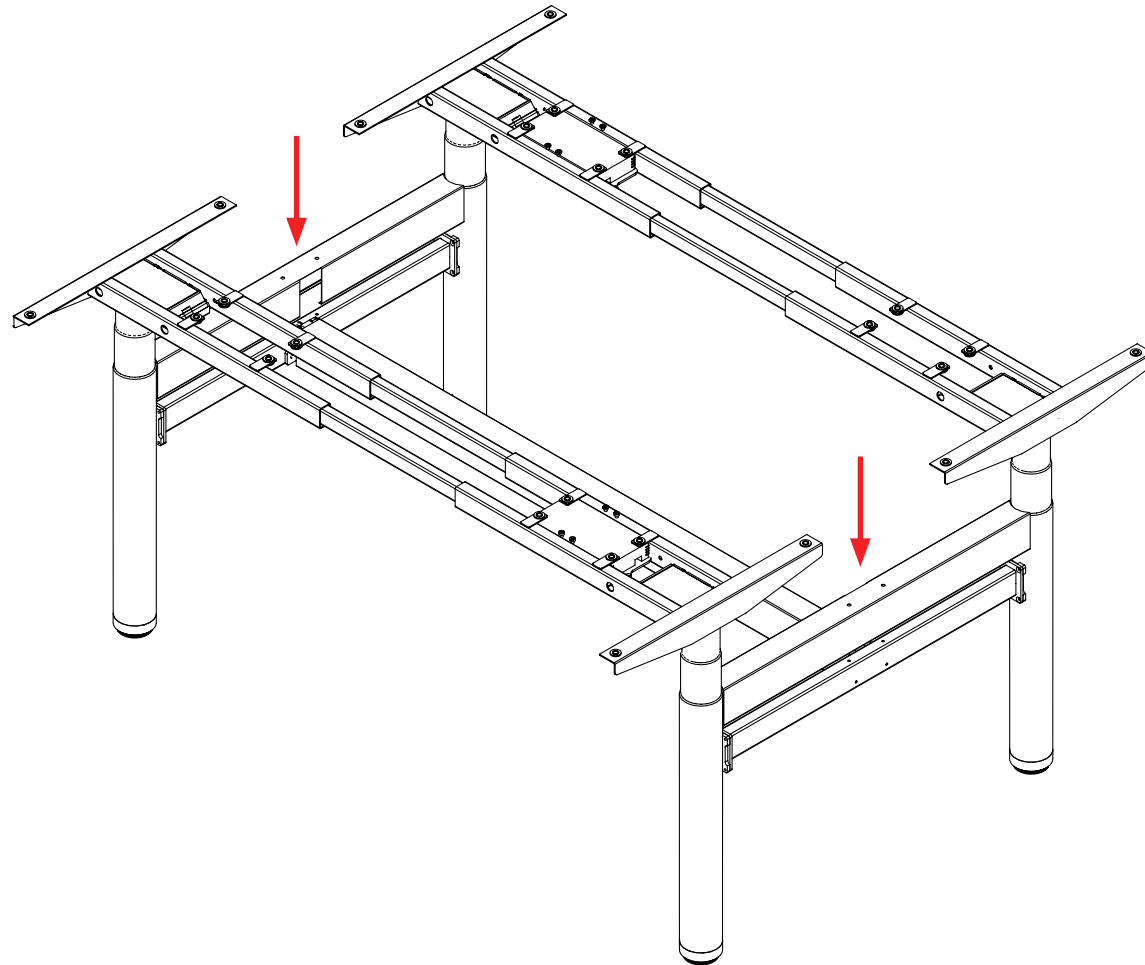
STEP 11:



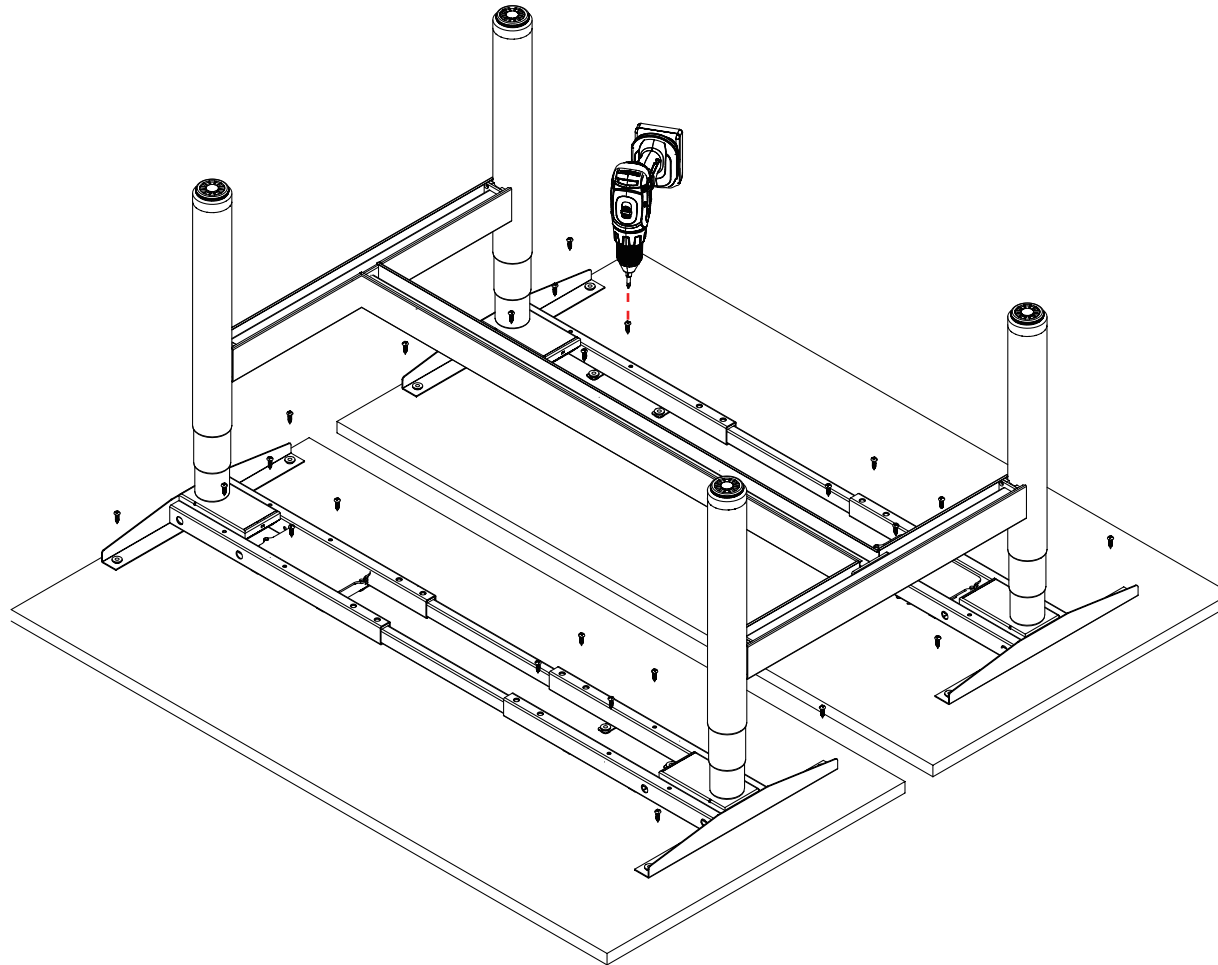
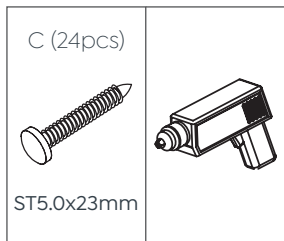
Agile+ Round Leg Double Sided Desk

Assembly Instructions

STEP 12:



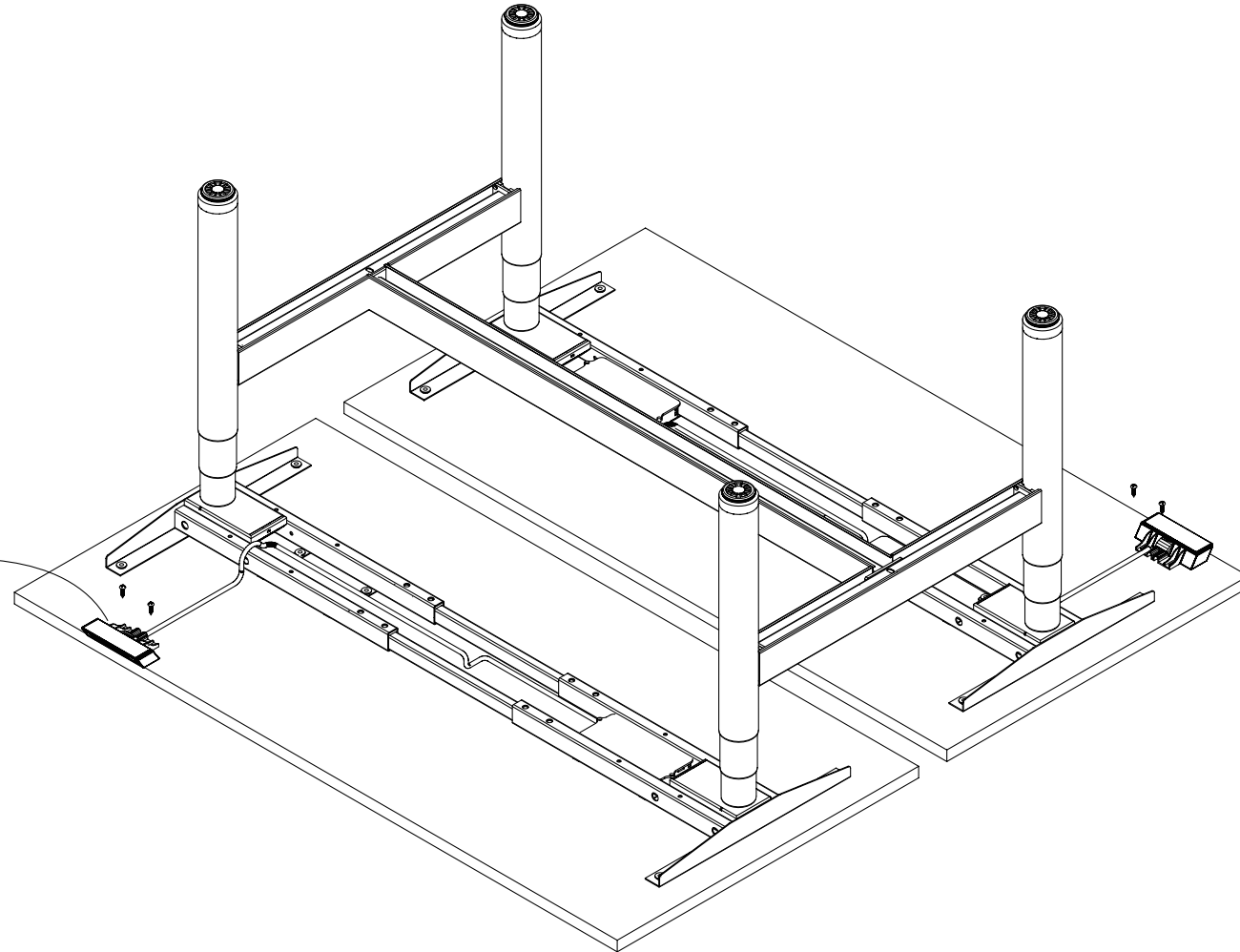
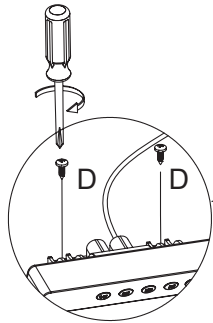
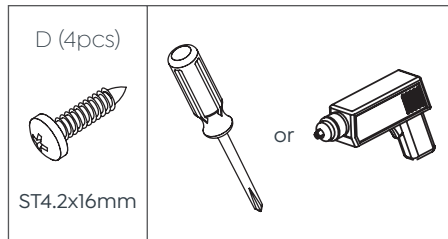
STEP 13:



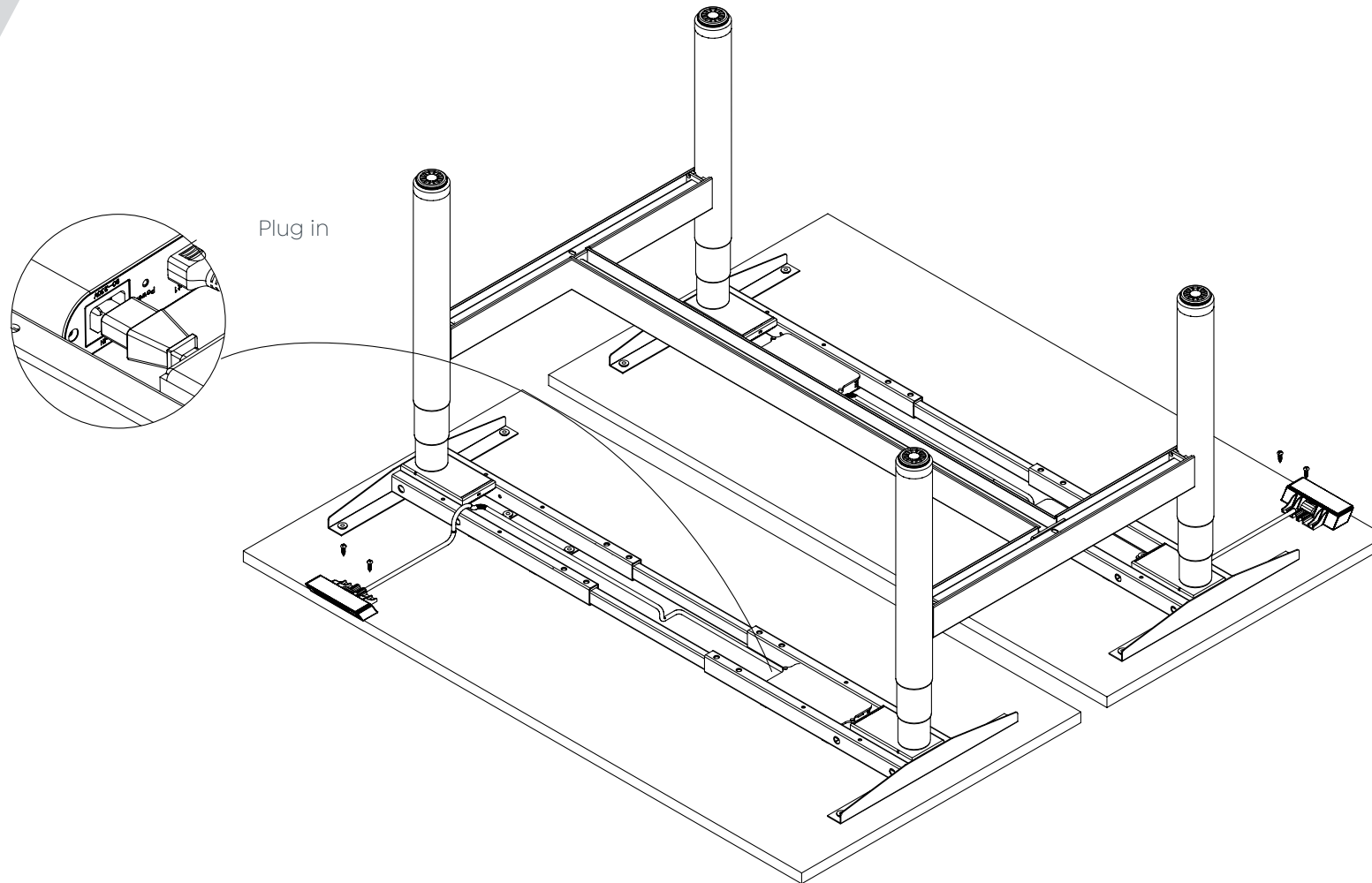
Agile+ Round Leg Double Sided Desk

Assembly Instructions

STEP 14:





STEP 15:

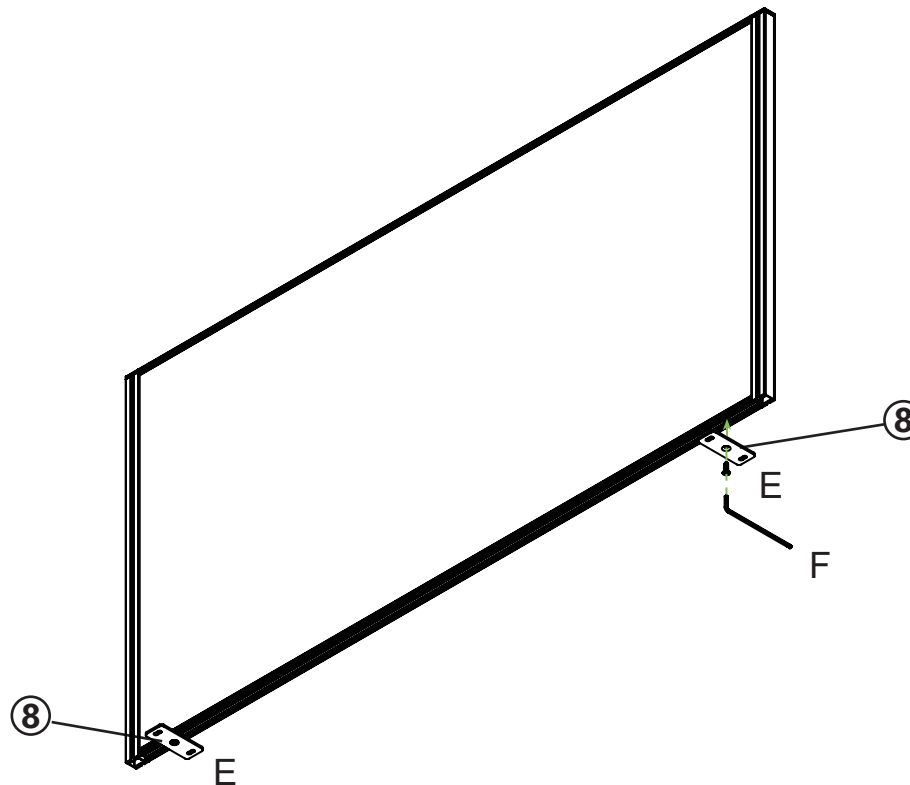


Agile+ Round Leg Double Sided Desk

Assembly Instructions

STEP 16:



E (2pcs)	F
	
M8x20mm	M5

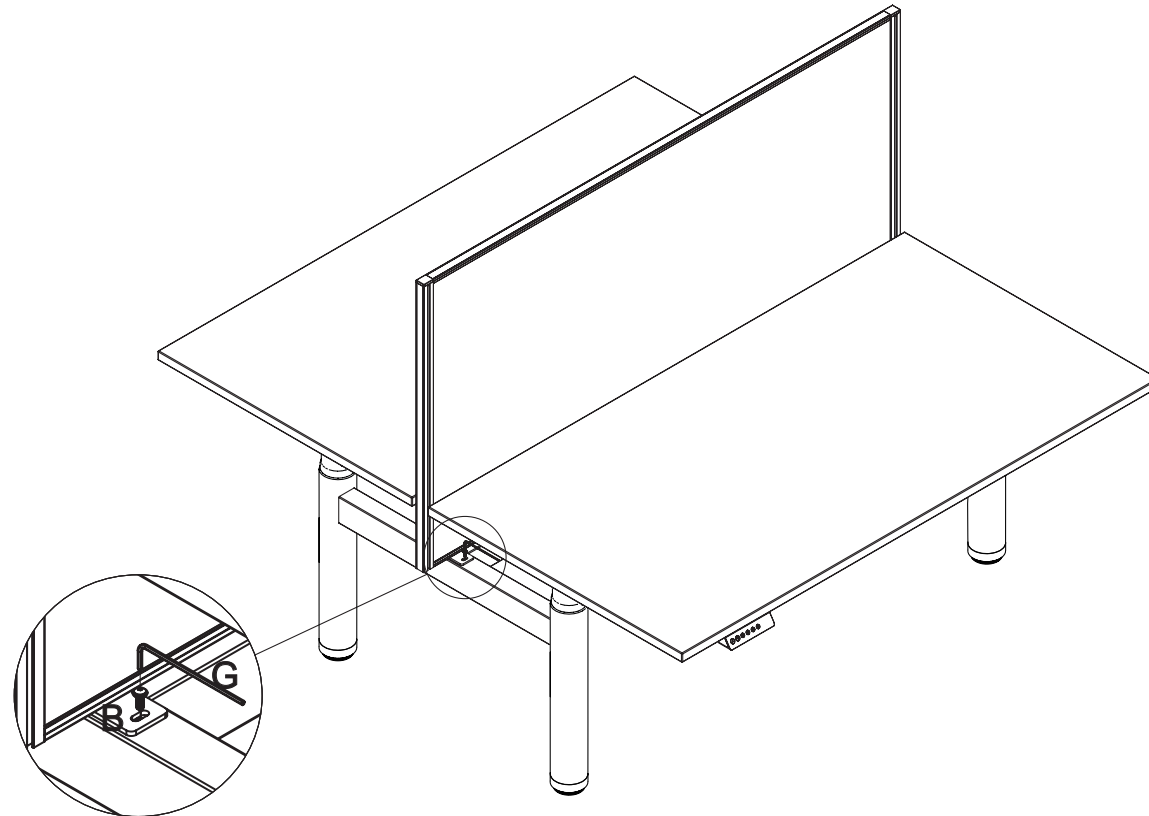


Agile+ Round Leg Double Sided Desk

Assembly Instructions

STEP 17:

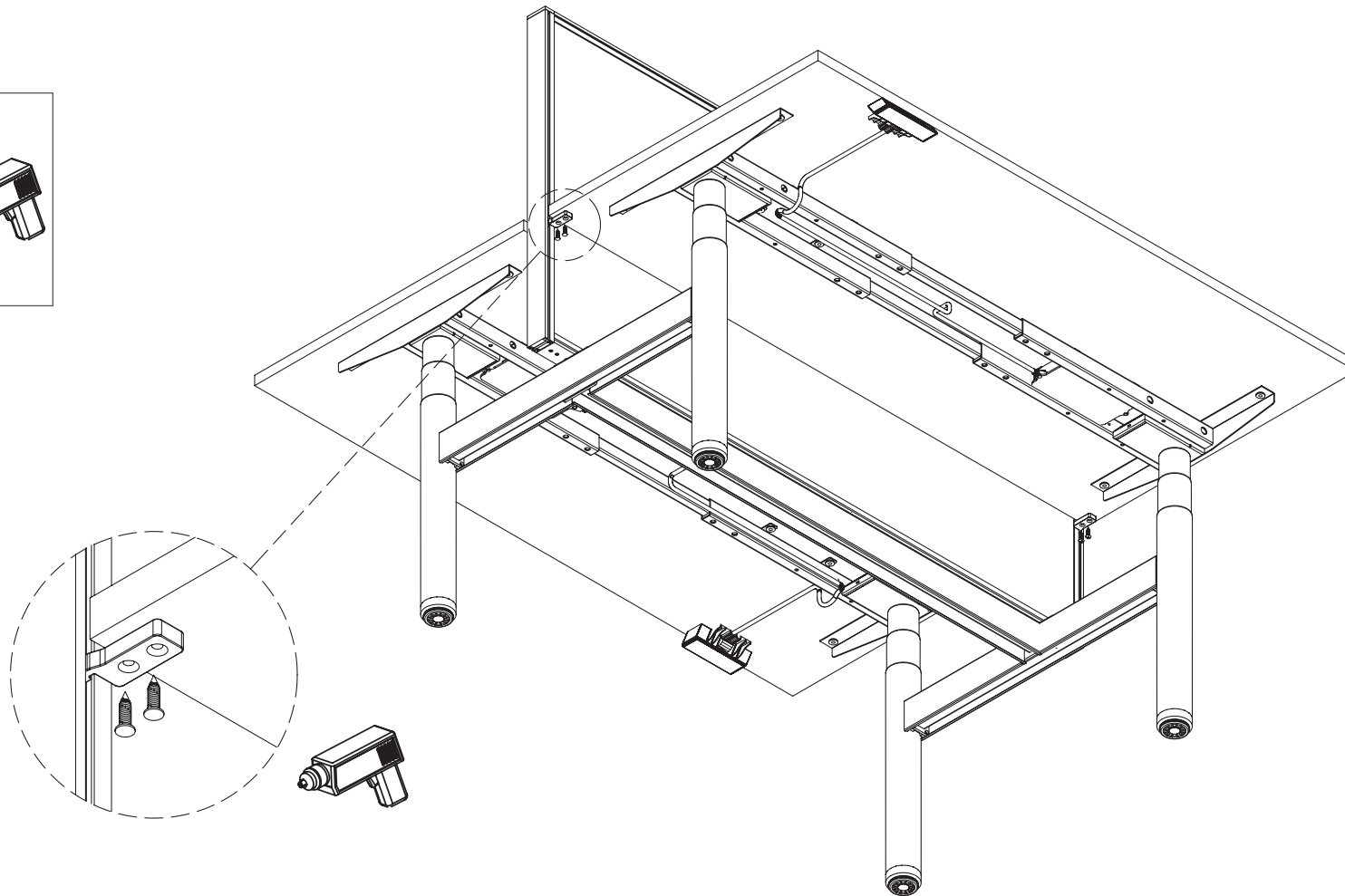
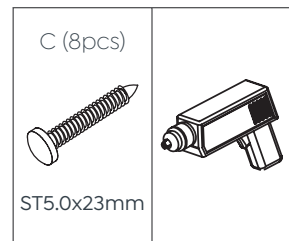
B (4pcs)	F
	
M5x10mm	M5



Agile+ Round Leg Double Sided Desk

Assembly Instructions

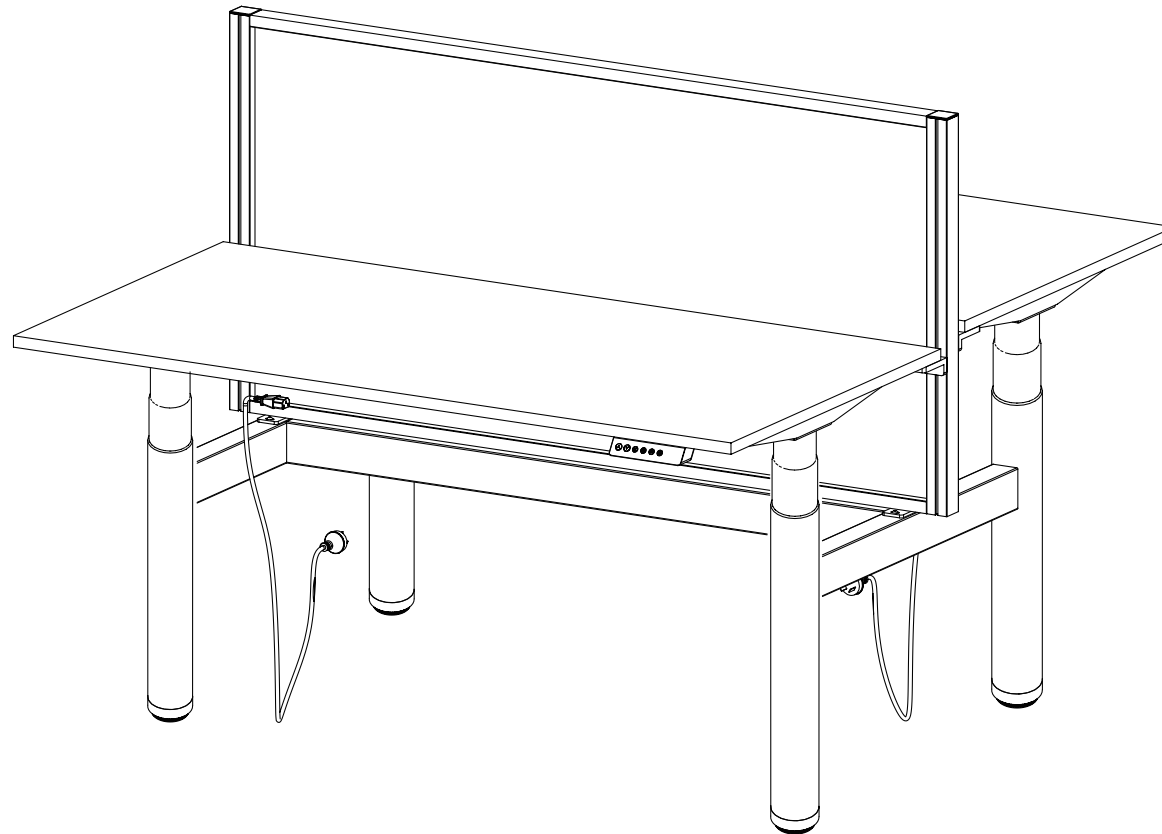
STEP 18:



Agile+ Round Leg Double Sided Desk

Assembly Instructions

STEP 19:



Agile+ Round Leg Double Sided Desk

Directions For Use

IMPORTANT

Please carefully read the assembly manual and direction for use prior to instalment, use and maintenance of the table frame to gain a complete understanding of its contents. It provides you with important information about the safety, use, installation and maintenance of the table.

WARNING: FAILURE TO COMPLY WITH OR OBSERVE ALL ASSEMBLY, SAFETY AND OPERATION INSTRUCTIONS REGARDING THE USE OF THIS PRODUCT MAY RESULT IN SERIOUS BODILY INJURY.

SAFETY

- The table must be used in a safe manner. Inappropriate use may cause damage to the table and/or cause bodily harm to the user or persons nearby.
- Do not tamper with electrical components as this may lead to serious bodily harm.
- Only connect the electric table frames to the prescribed mains power voltage
- Do not use the table frame to lift people. •Please retain this operation manual and pass it on to any future owner.

USAGE

- The height-adjustable table is designed for use in dry work environments only.
- The table height is infinitely adjustable within its height range so that it can be set to the user's most ergonomic working height. The user should seek professional help to establish their optimum working height.
- The table has been designed as a devise to elevate the users work surface and associated office peripherals. Do not use the table frame for any other purposes than that which it has been designed for. Any other use is at user's own risk!
- Do not crawl, lie or move around under the table frame, and do not sit or stand on the table frame.
- CHILDREN should only use the table when supervised by adults.
- Liability: The manufacturer accepts under no circumstances warranty claims or liability claims for damages arising from improper use or handling of the table frame other than that de scribed in this operation manual.

SET-UP AND INSTALLATION

Assemble the table frame according to the assembly instructions on pages 3 - 9.

- Place the table in a safe distance from window frames, radiators, furniture etc. so that persons cannot become trapped. •Level the table with the adjustable feet ensuring that the table is stable.
- Check that no cables can get jammed.
- Connect the table to the 110 or 230 VAC power outlet.

The table is now ready for use.

MAINTENANCE

- The table does not require any maintenance by the user
- The table is only to be cleaned with a wrung cloth.

TECHNICAL DATA

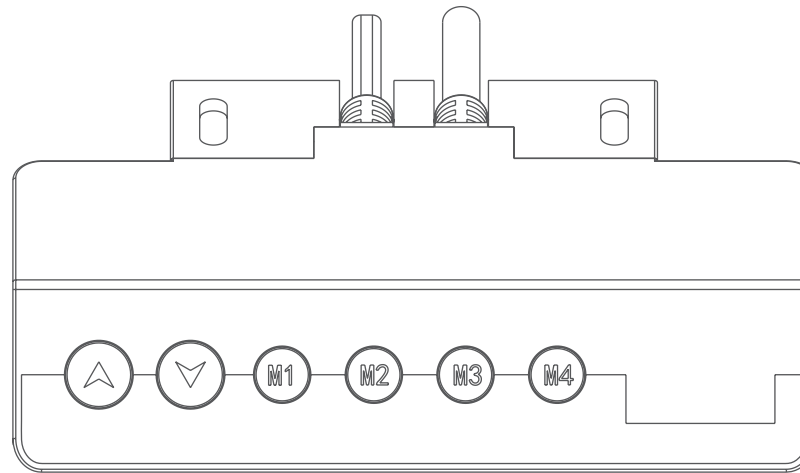
Height Range: 635-1290mm including worktop

Speed: ~30mm/s

Input Voltage: 90-230V AC 50-60Hz, 300VA

Output Voltage: 24V DC Max.10A

Duty Cycle: 10% max. 2min on/18min off



- Up key.
Press to move up. Release when desired position is reached.
- Down key.
Press to move down. Release when desired position is reached
- M1 memory key.
Adjust height using Δ / ∇ keys. Press M1 for 5s to remember position.
- M2 memory key.
Adjust using Δ / ∇ keys. Press M2 for 5s to remember position
- M3 memory key.
Adjust using Δ / ∇ keys. Press M3 for 5s to remember position
- M4 memory key.
Adjust using Δ / ∇ keys. Press M4 for 5s to remember position
- LCD Screen