

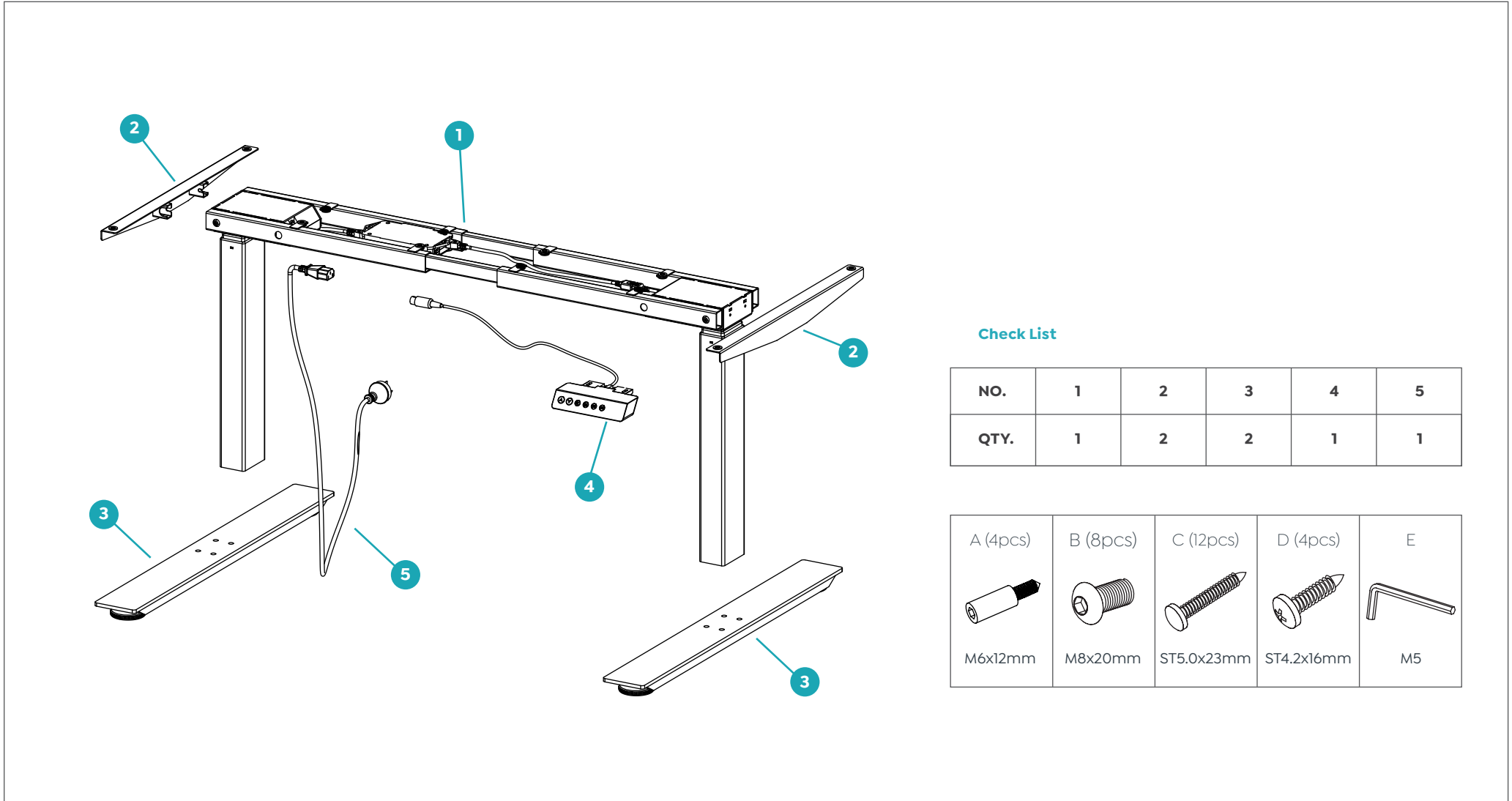
---

## Agile+ Single Sided Desk

Assembly Instructions


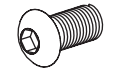

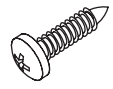

# Agile+ Single Sided Desk

## Components List

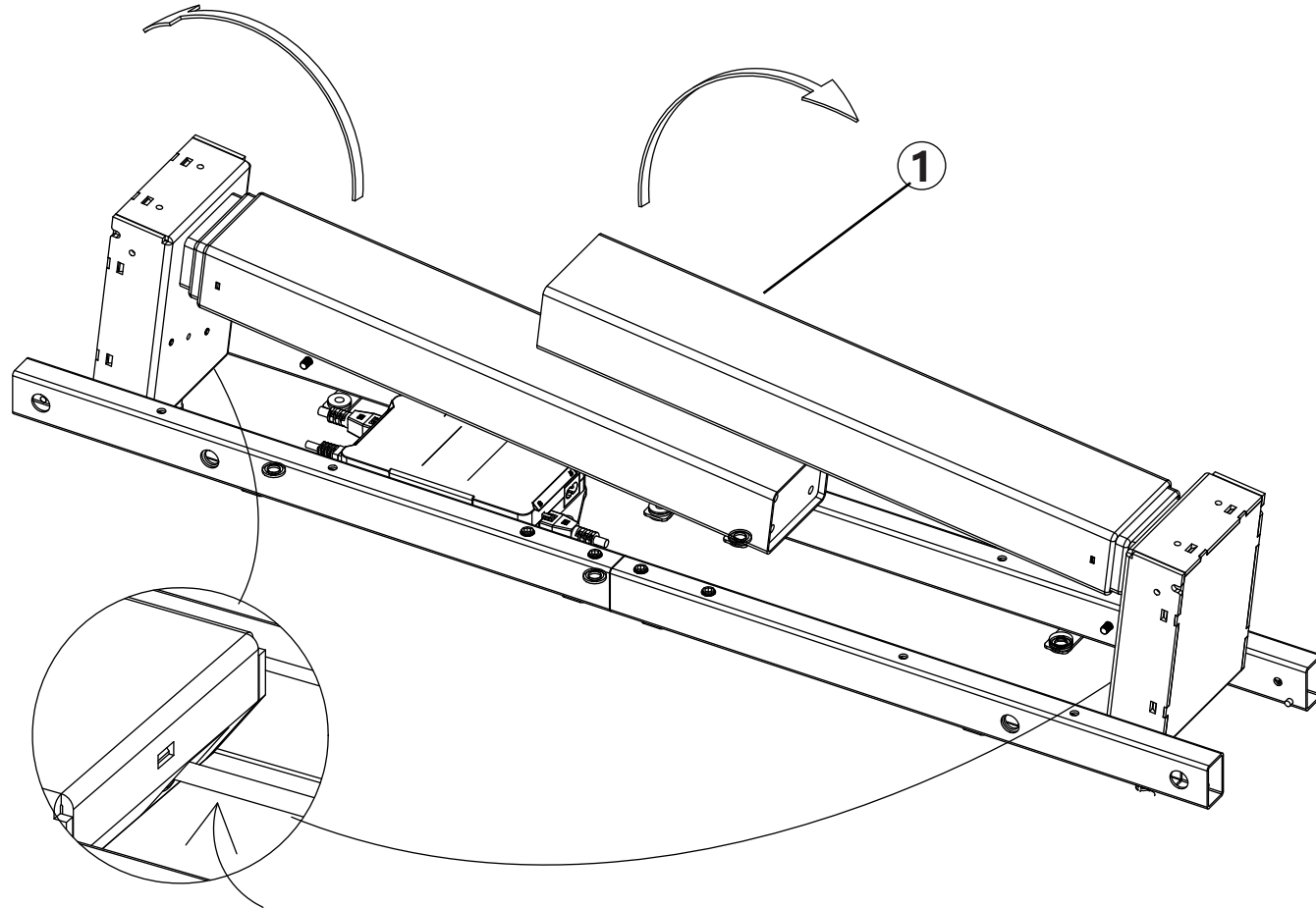


### Check List

NO.	1	2	3	4	5
QTY.	1	2	2	1	1

A (4pcs)	B (8pcs)	C (12pcs)	D (4pcs)	E
				
M6x12mm	M8x20mm	ST5.0x23mm	ST4.2x16mm	M5

**STEP 1:**

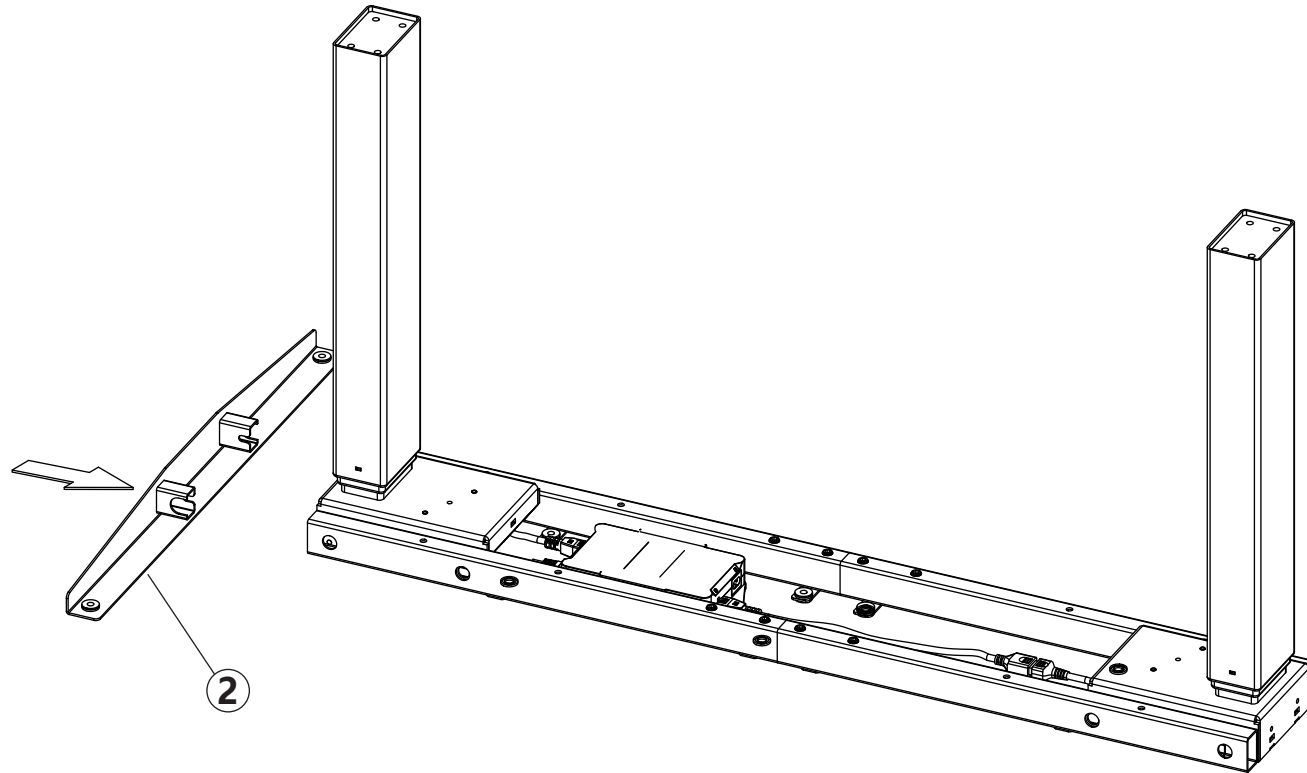


Be careful with the cable.



# Agile+ Single Sided Desk

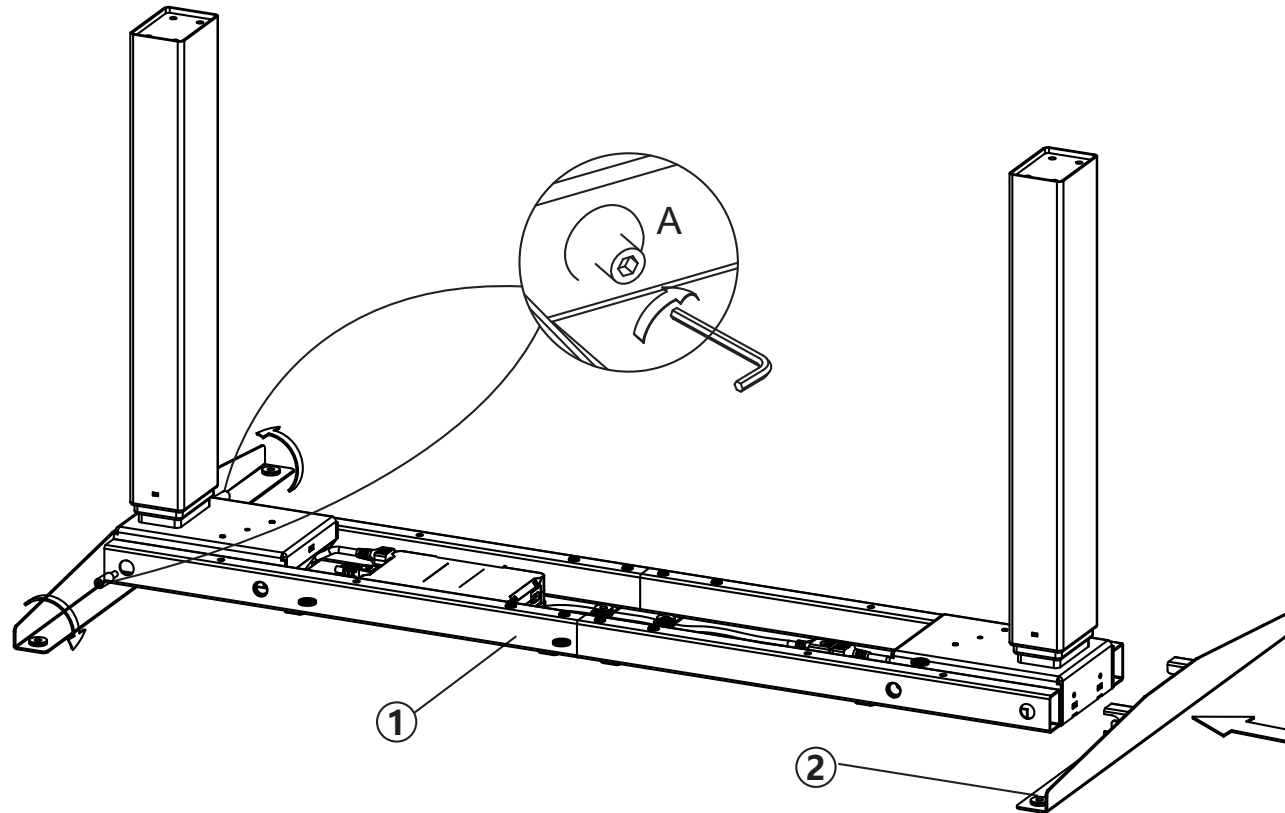
## Assembly Instructions

### STEP 2:



### STEP 3:



A (2pcs)	E
	
M6x12mm	M5

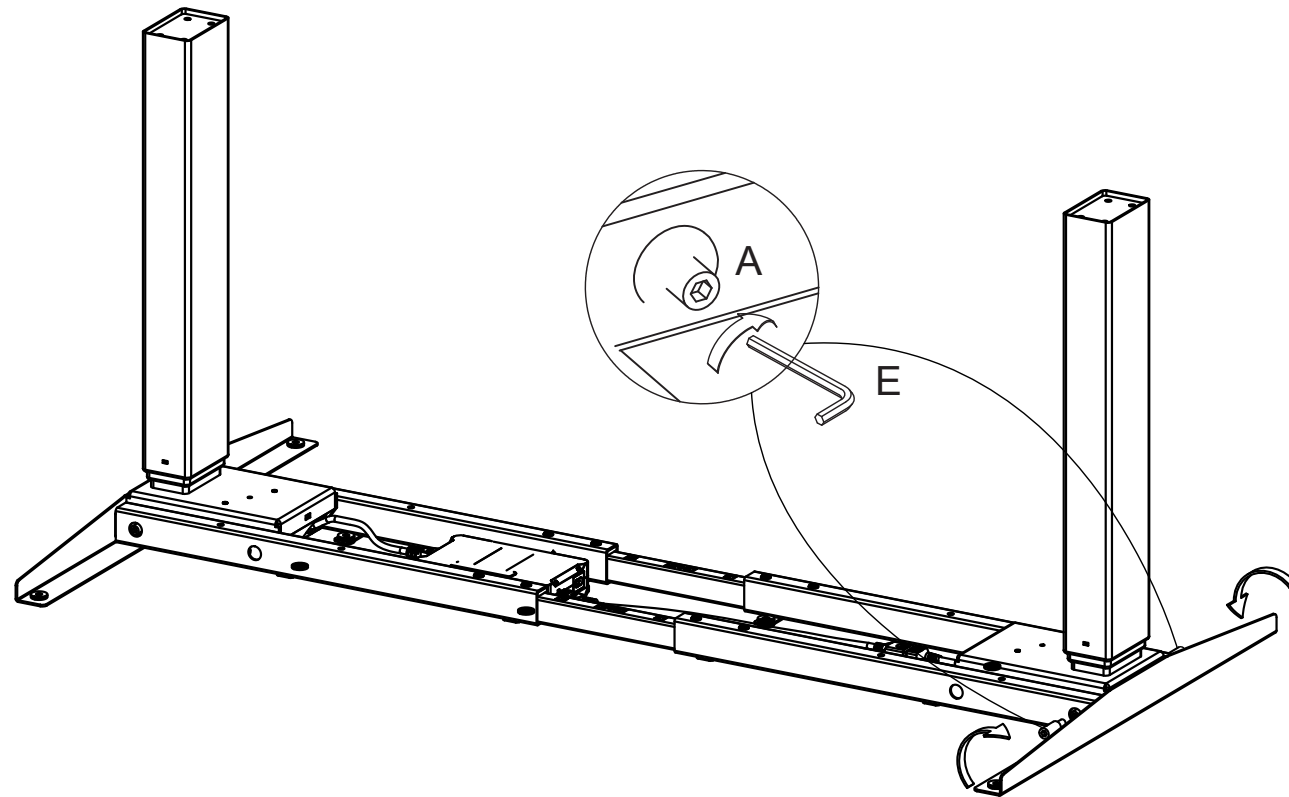


# Agile+ Single Sided Desk

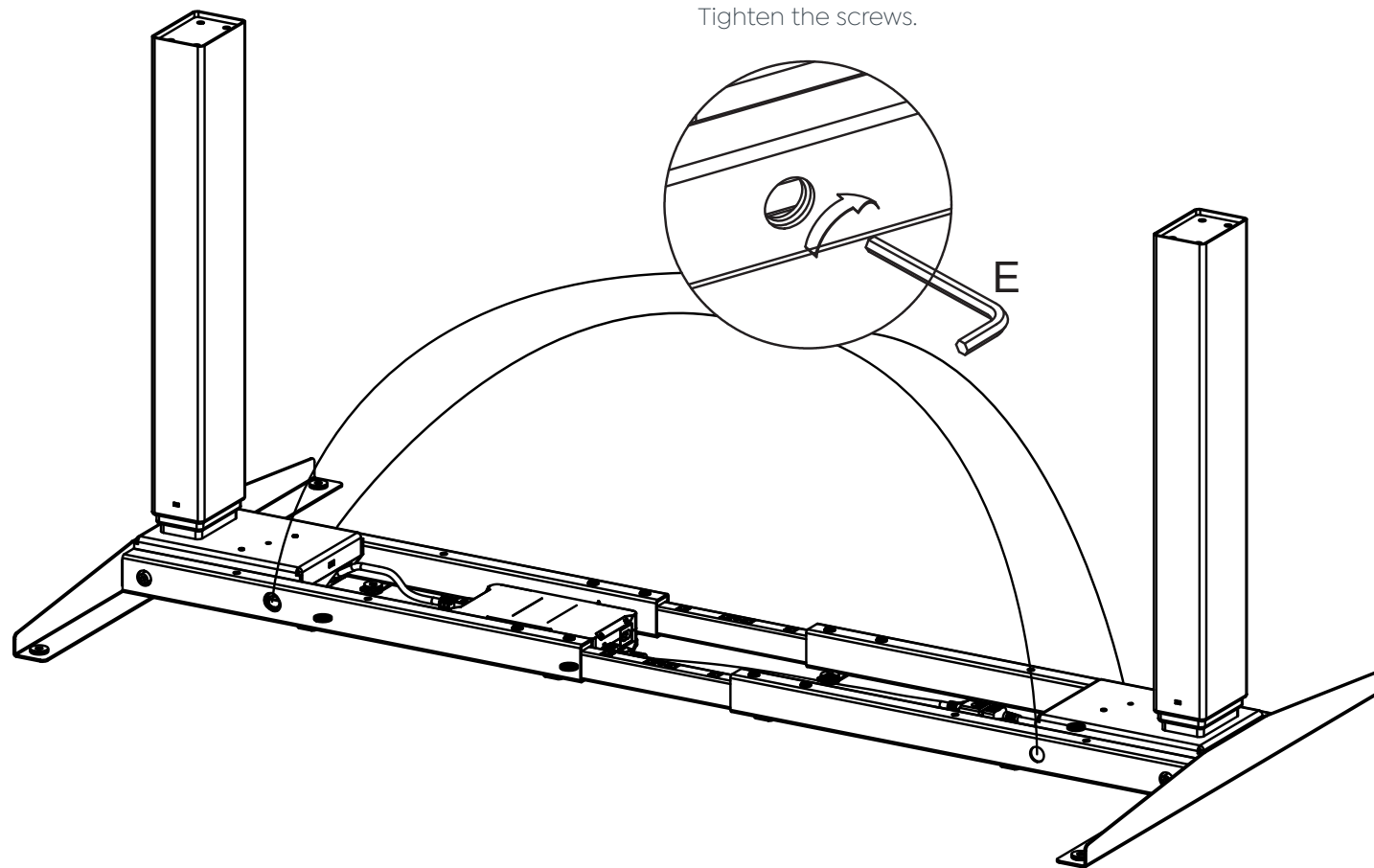
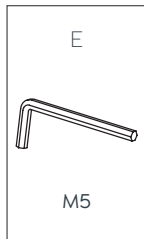
## Assembly Instructions

### STEP 4:

A (2pcs)	E
	
M6x12mm	M5



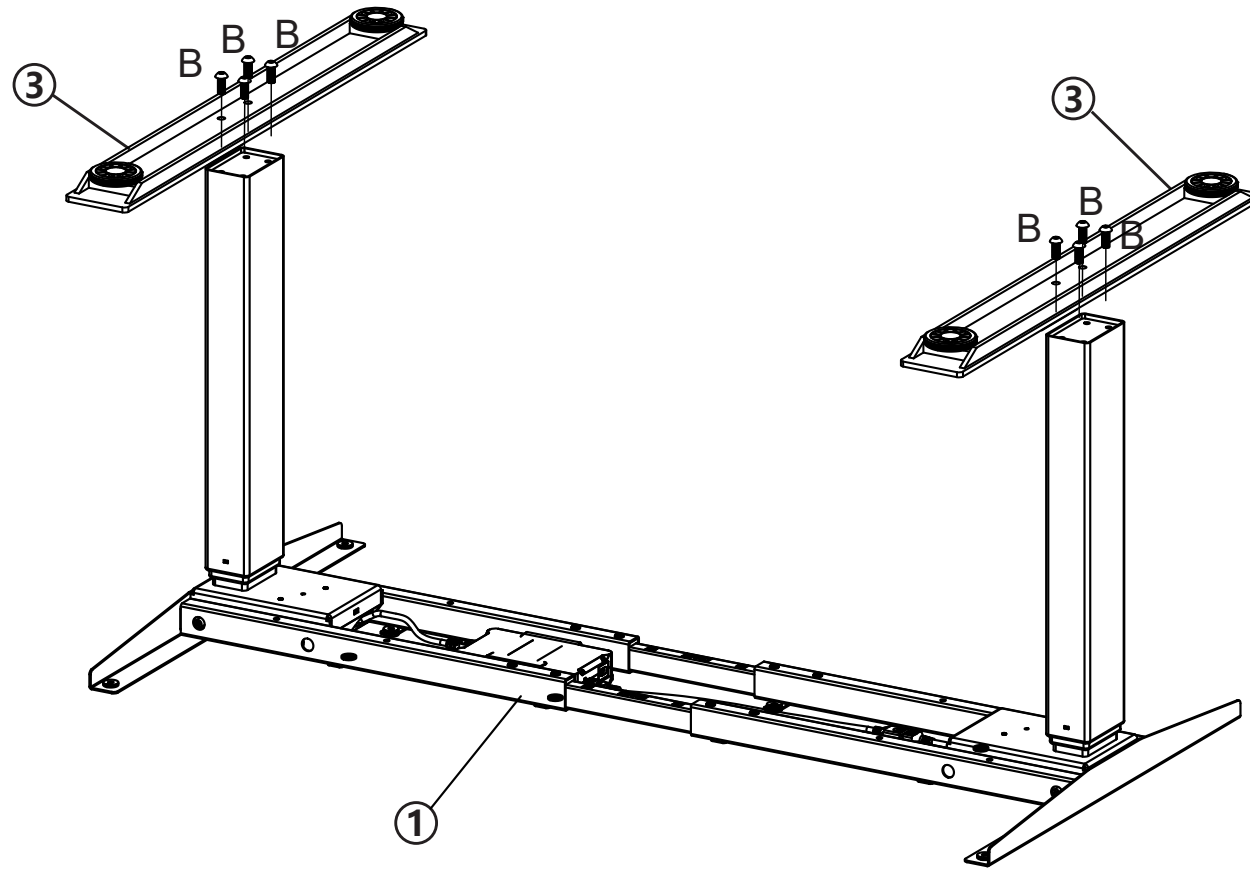
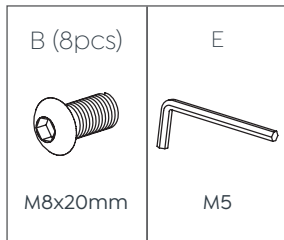
## STEP 5:



# Agile+ Single Sided Desk

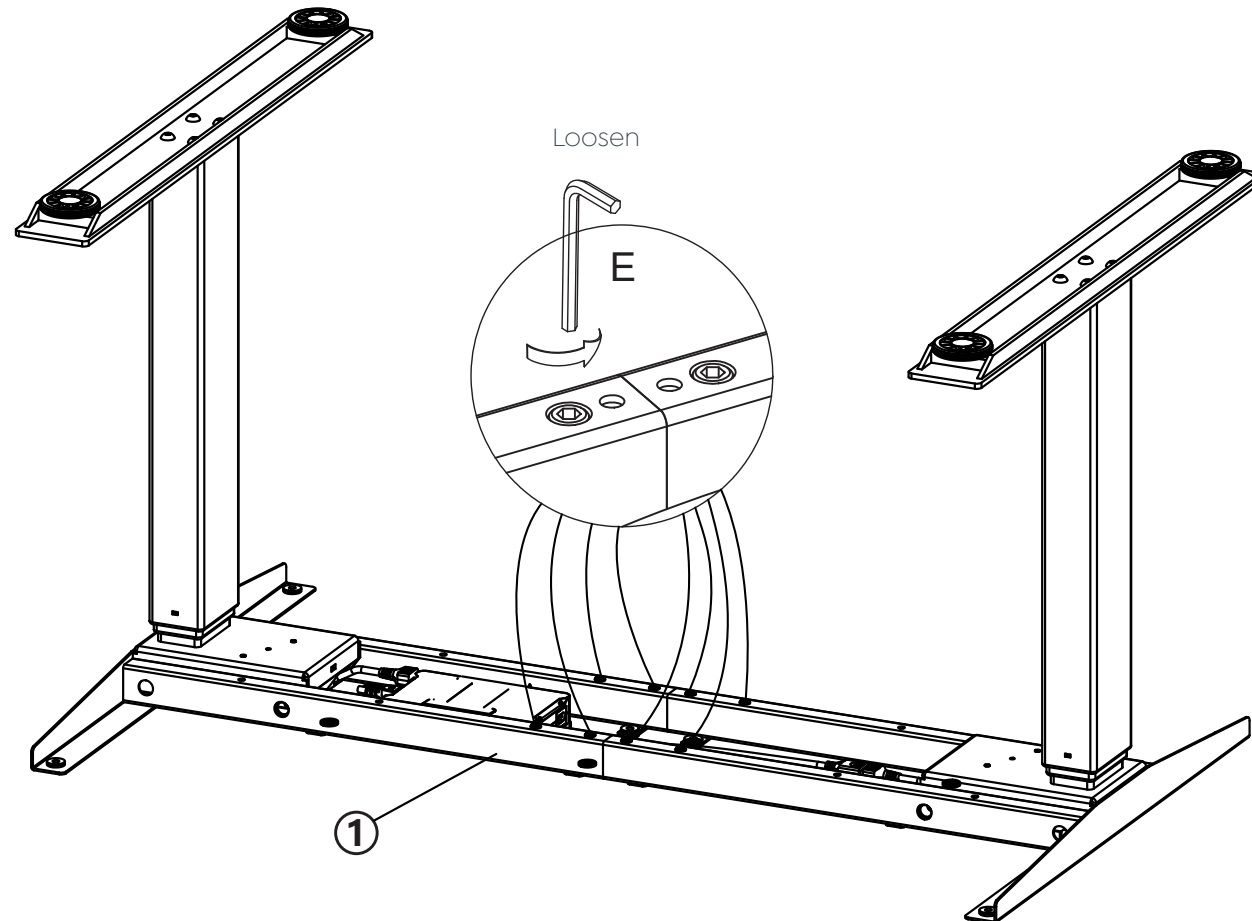
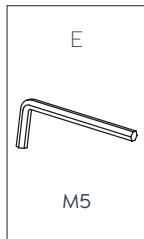
## Assembly Instructions

### STEP 6:





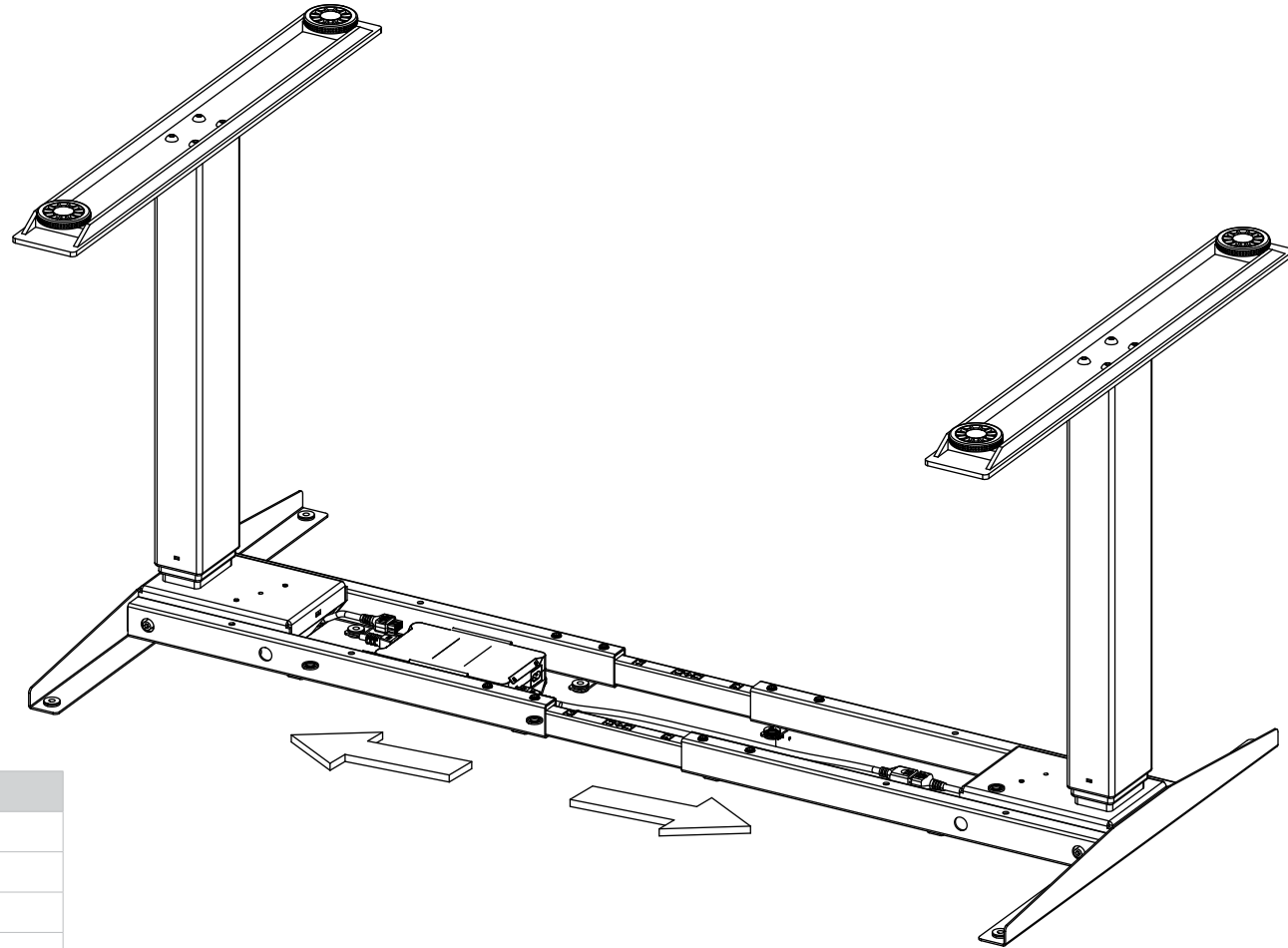
## STEP 7:



# Agile+ Single Sided Desk

## Assembly Instructions

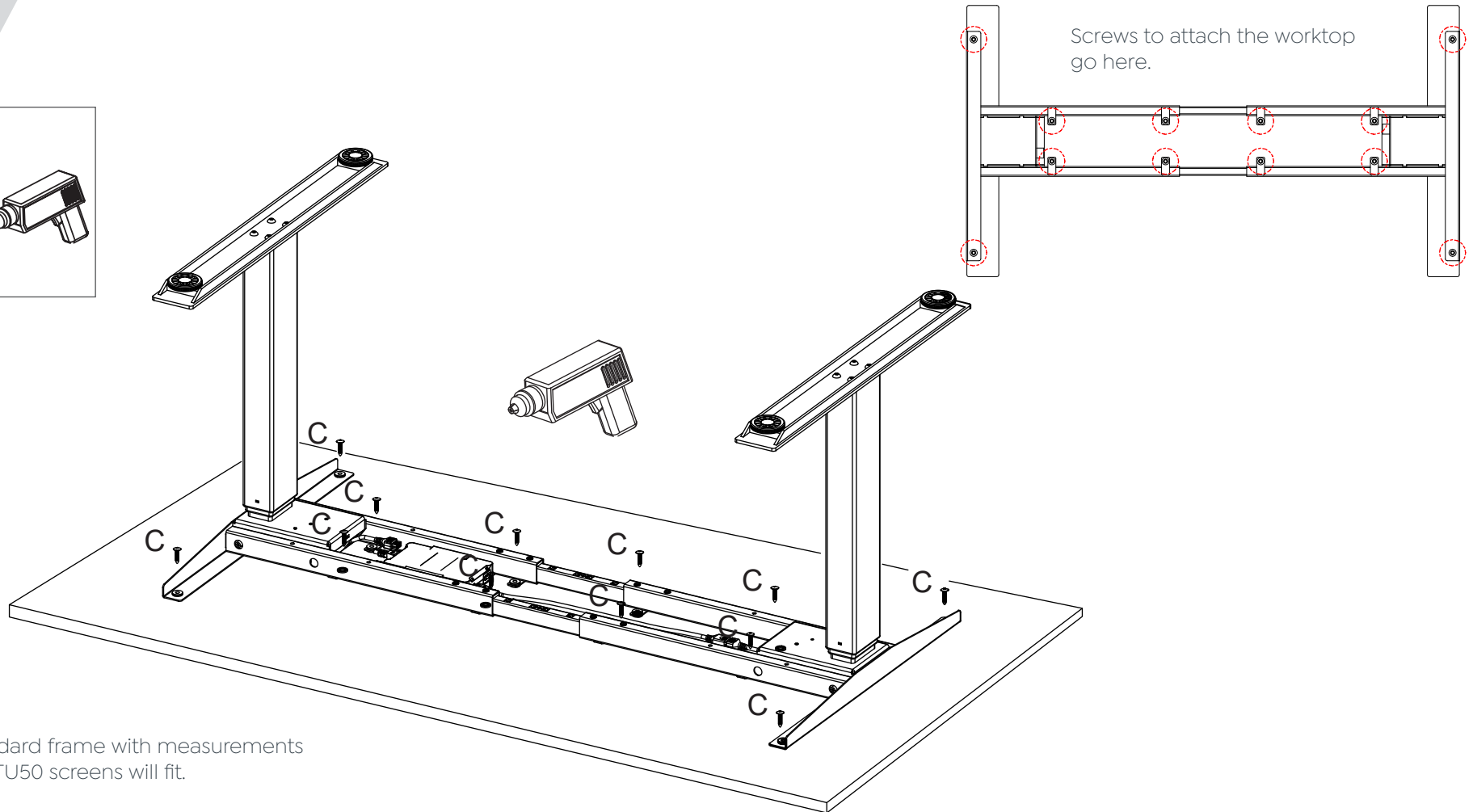
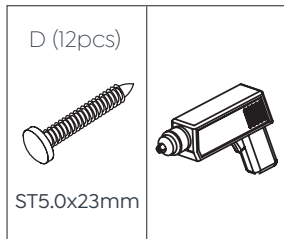
### STEP 8:



Suggested Worktop Chart

Worktop	Length
1200mm	1125mm
1500mm	1425mm
1800mm	1725mm
2100mm	2025mm

### STEP 9:

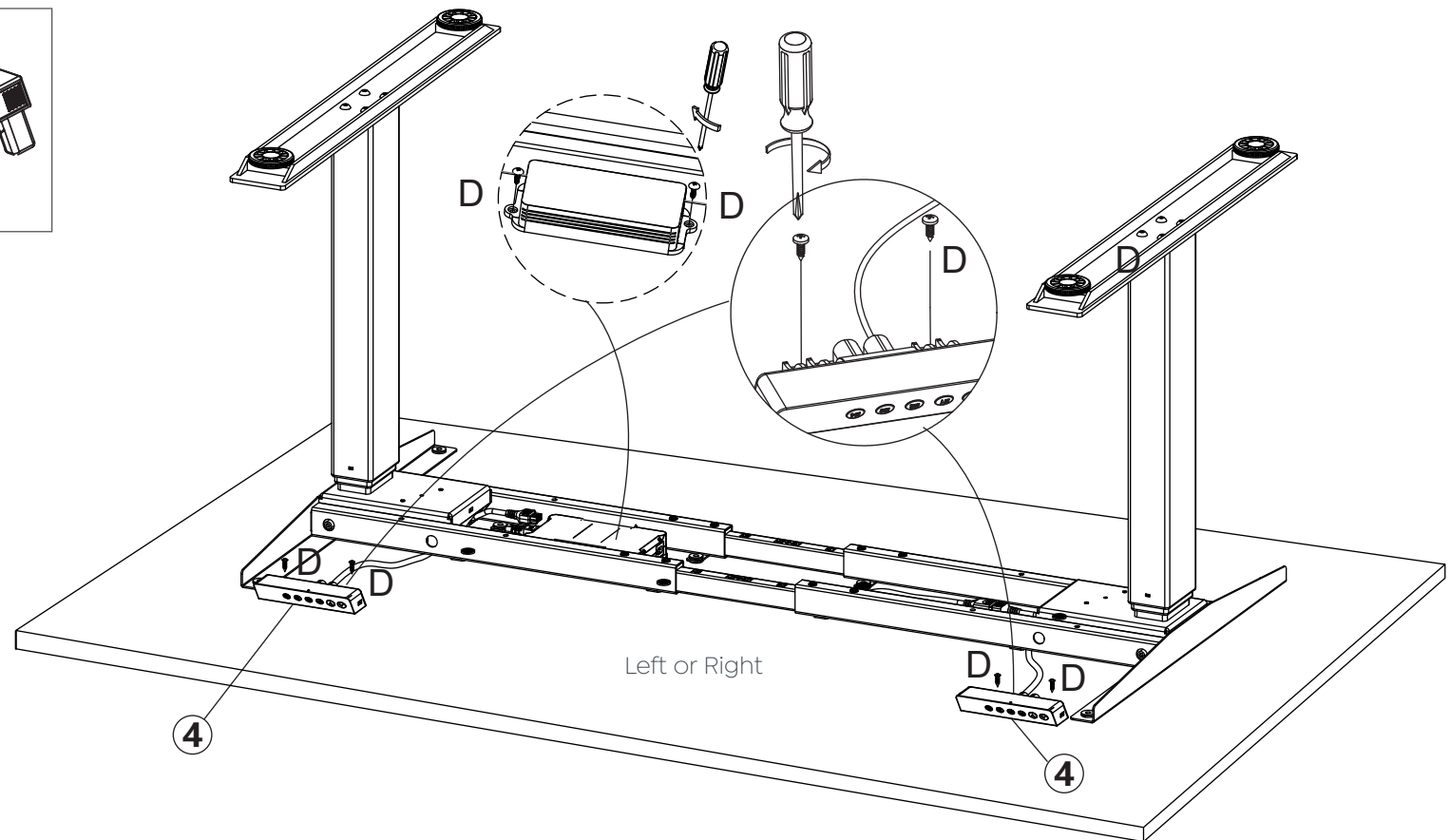
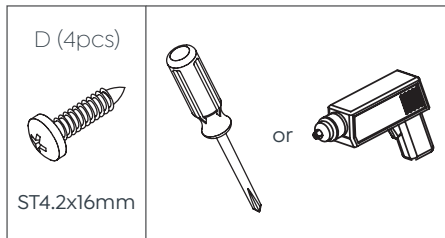


Standard frame with measurements so STU50 screens will fit.

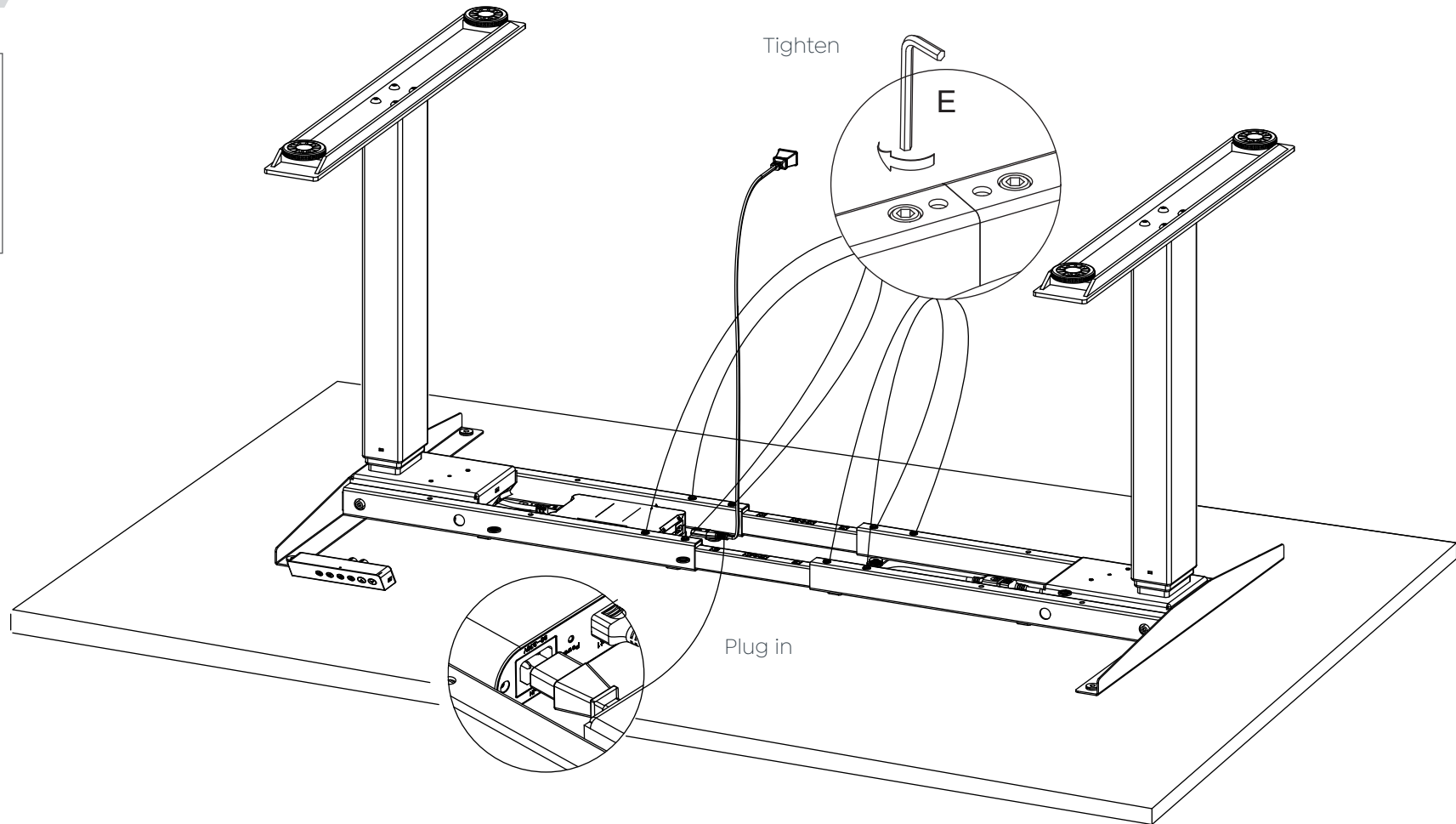
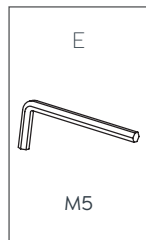
# Agile+ Single Sided Desk

## Assembly Instructions

### STEP 10:



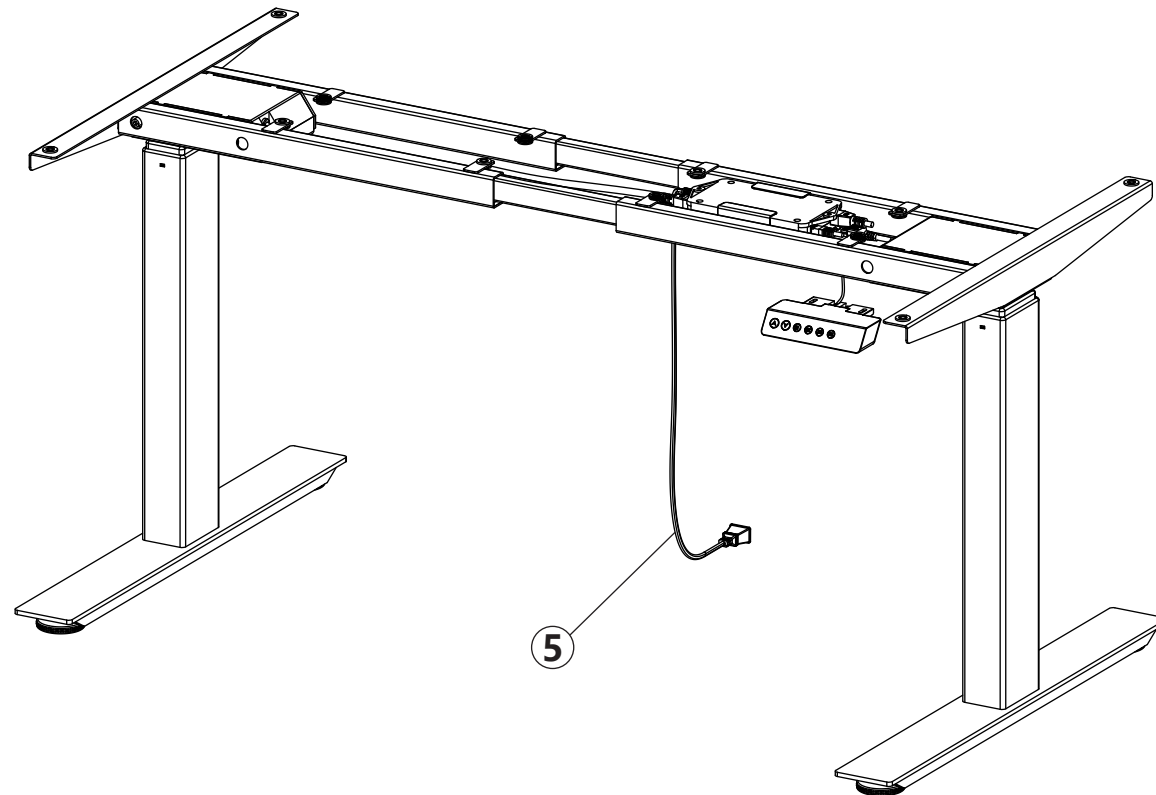
## STEP 11:

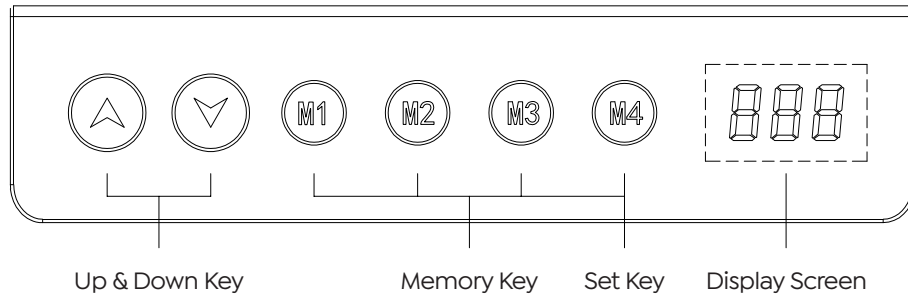


# Agile+ Single Sided Desk

## Assembly Instructions

### STEP 12:





To use the handset, press either the UP or DOWN keys and the display screen will light up to confirm the handset is ready for use. If there is no button pressed within 30 seconds, the screen turns off and the M1/M2/M3/M4 keys are disabled accordingly.

### ■ Display Screen

Displays the height of the desk

### ■ Up & Down Keys

Press the "▲" or "▼" key to adjust desk height until you get an optimum height

### ■ Memory Key M1/M2/M3/M4

Raise or lower the desk to the desired height and hold one of the M1/M2/M3/M4 keys for around 5 seconds, until the "beep", and the height will be successfully saved. When the desk is ready for use, press M1/M2/M3/M4 and the desk will move to the saved height automatically.

### ■ Locking the Handset

To lock the handset, when the handset is ready for use, press both the "▲" and M4 keys for around 5 seconds until the display shows "LOC". To unlock the desk, when the handset is ready for use, press both the DOWN and M4 keys for around 5 seconds until the display returns to the height number.

### ■ Resetting the Desk

- When "RST" **857** is on the display screen, press the "▼" button until the desk frame reaches its lowest point. After desk frame rebounds slightly, you will hear a "beep" and the desk will be reset. (The button cannot be released during this operation, otherwise the reset will fail).
- Forced Reset: Press the "▼" button until the desk frame reaches its lowest point, then release the button and press it again for about 5 seconds until desk frame rebounds you hear a "beep".
- Restore the factory settings: When new controller is changed, or the settings need to be restored to the factory defaults, press the "▲" and "▼" buttons simultaneously, you will hear the first beep after about 5 seconds and a second "beep" after 10 seconds. Once the display screen shows "RST", complete a "Forced Reset".

### ■ Anti-Collision

When the desktop is raising or lowering, if it encounters resistance the desk will rebound and show "E05". Wait for the height number to return and check for any obstacles.

### ■ Handset shows error code and solution

Error code	Fault cause	Solution
E01,E06,E07	Power fault	Power off for 30 seconds and restart
E04	Handset fault	Unplug and replug the cable of hand set and reset the desk
E05	Anticollision alert	Rebound reminder, check for obstacles and reset
E08	Desktop sloping	Reset the desk
E11,E21,E40,E41	Connection cable failure	Check the connecting cable between motor and control box
E12,E22,E42,E43	Controller fault	Exchange the controller
E14~E17,E24~E27	Motor fault	Change motor
E18,E28	Overloading	Reduce the weight on desk and reset
HOT	Overtime operation	Automatic recovery after 20 minutes
RST	Reset reminder	Pressing the down key until reach lowest screen become normal

### ■ Advance Function Settings

Setting a Maximum and/or Minimum Height:

To set a maximum height, raise the desk to the desired maximum height (above 97) and hold both the "▲" and "▼" buttons for around 5 seconds until you hear a "beep".

To remove the limited maximum height, raise the desk to the limited maximum and hold both the "▲" and "▼" buttons for around 5 seconds until you hear a "beep".

To set a minimum height, lower the desk to the desired minimum height (below 96) and hold both the "▲" and "▼" buttons for around 5 seconds until you hear a "beep".

To remove the limited minimum height, lower the desk to the limited minimum and hold both the "▲" and "▼" buttons for around 5 seconds until you hear a "beep".