

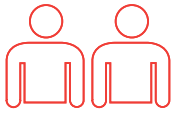
---

## **Ascend Tech Adjust Flip Table**

Assembly Instructions

# Ascend Tech Adjust Flip Table

## Components List



Recommended  
2-person step

\* To prevent possible scratches or damage, assemble the table upside down on a soft surface such as blanket, carpet or packaging.

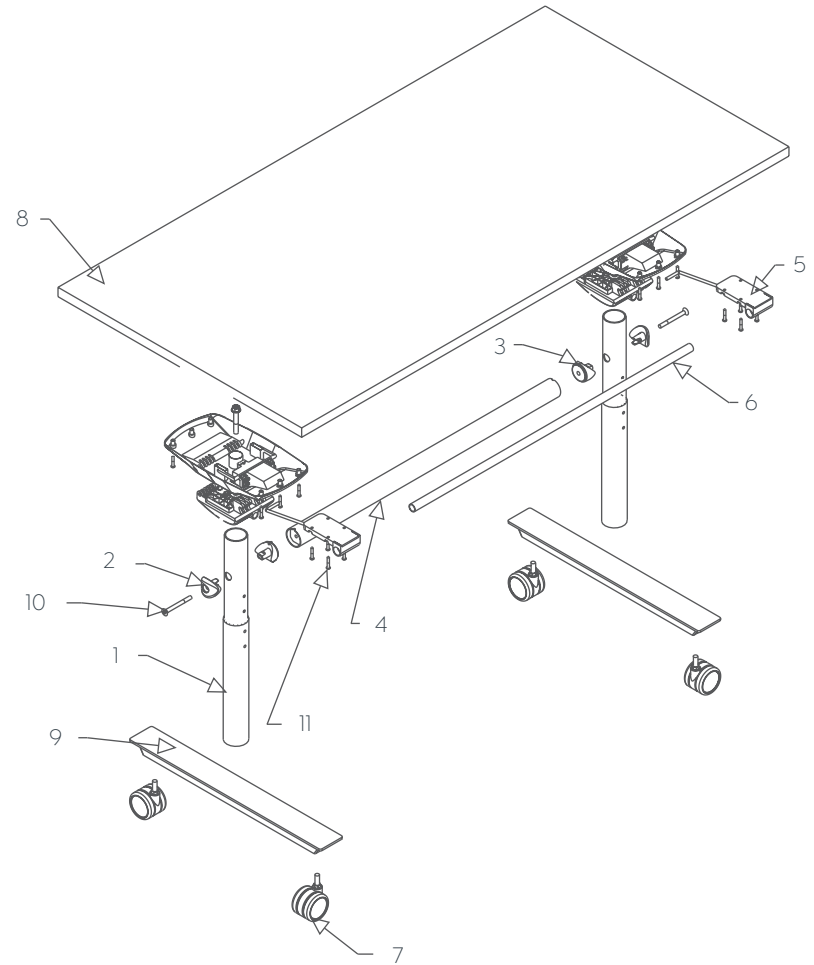
\* Attach Leg to the Top assembly by using Bolts, spring washer, flat washer. Tighten using the Allen Wrench provided.

### COMPONENTS:

	QTY:	Part No.
1. Modulus Flip Table Frame Leg	2	MODZA04
2. Outside Connector	2	MODZA03
3. Inside Connector	2	FWFLRAIL
4. Drop Rail Cross Tube	1	MODZA14
5. Side Handle	2	
6. Pullbar	1	
7. Agile Flip Castor	4	
8. Worktop	1	
9. Agile Flip Foot	2	

### SCREWS:

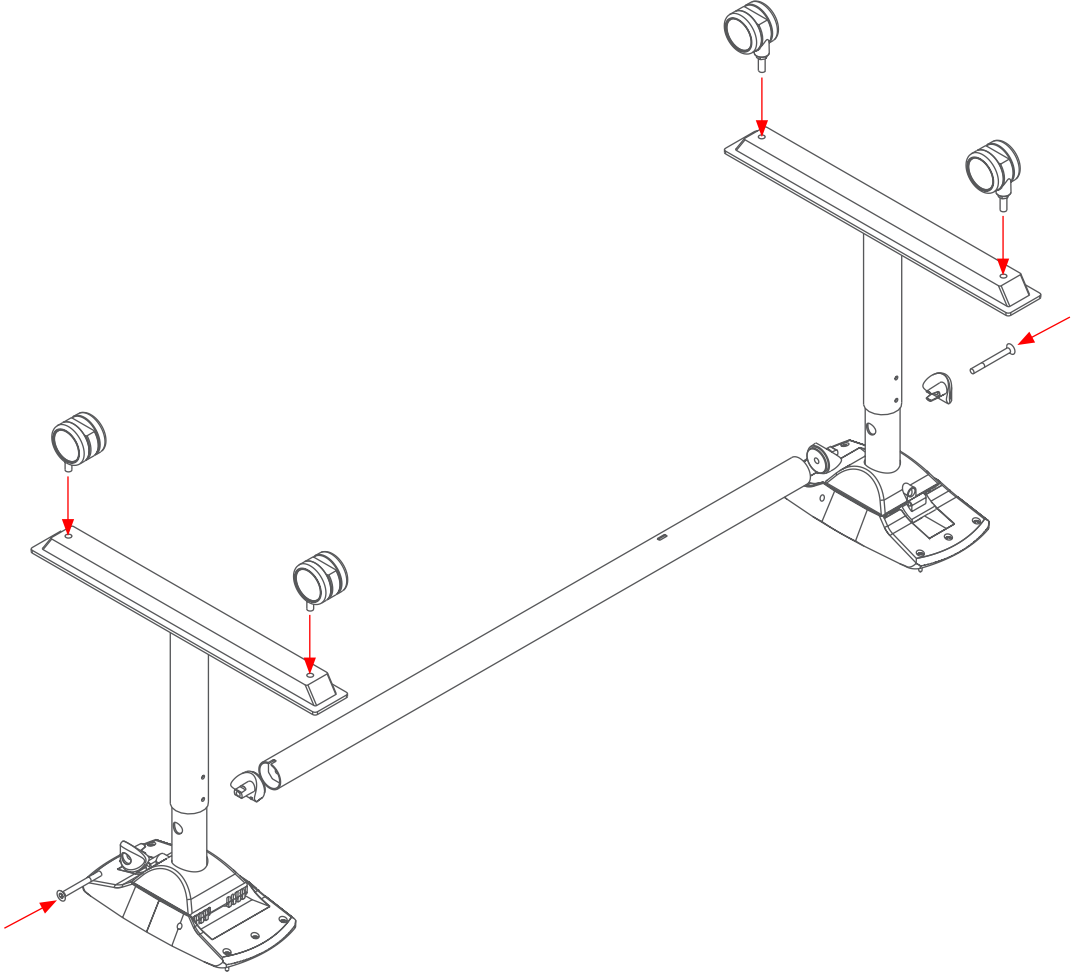
1. M8 x 80 Bolt	2
2. M5 x 30 Wood Screw	20



# Ascend Tech Adjust Flip Table

Assembly Instructions

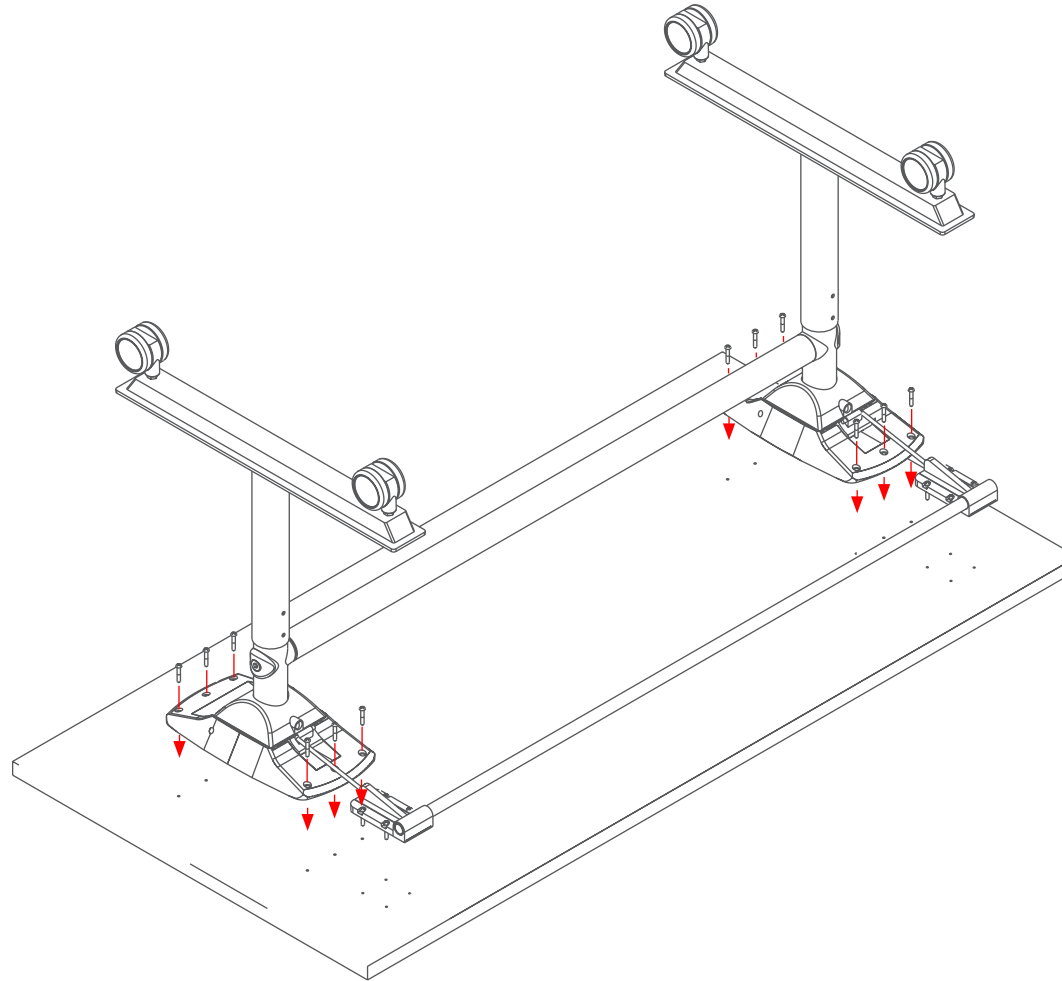
**STEP 1:**



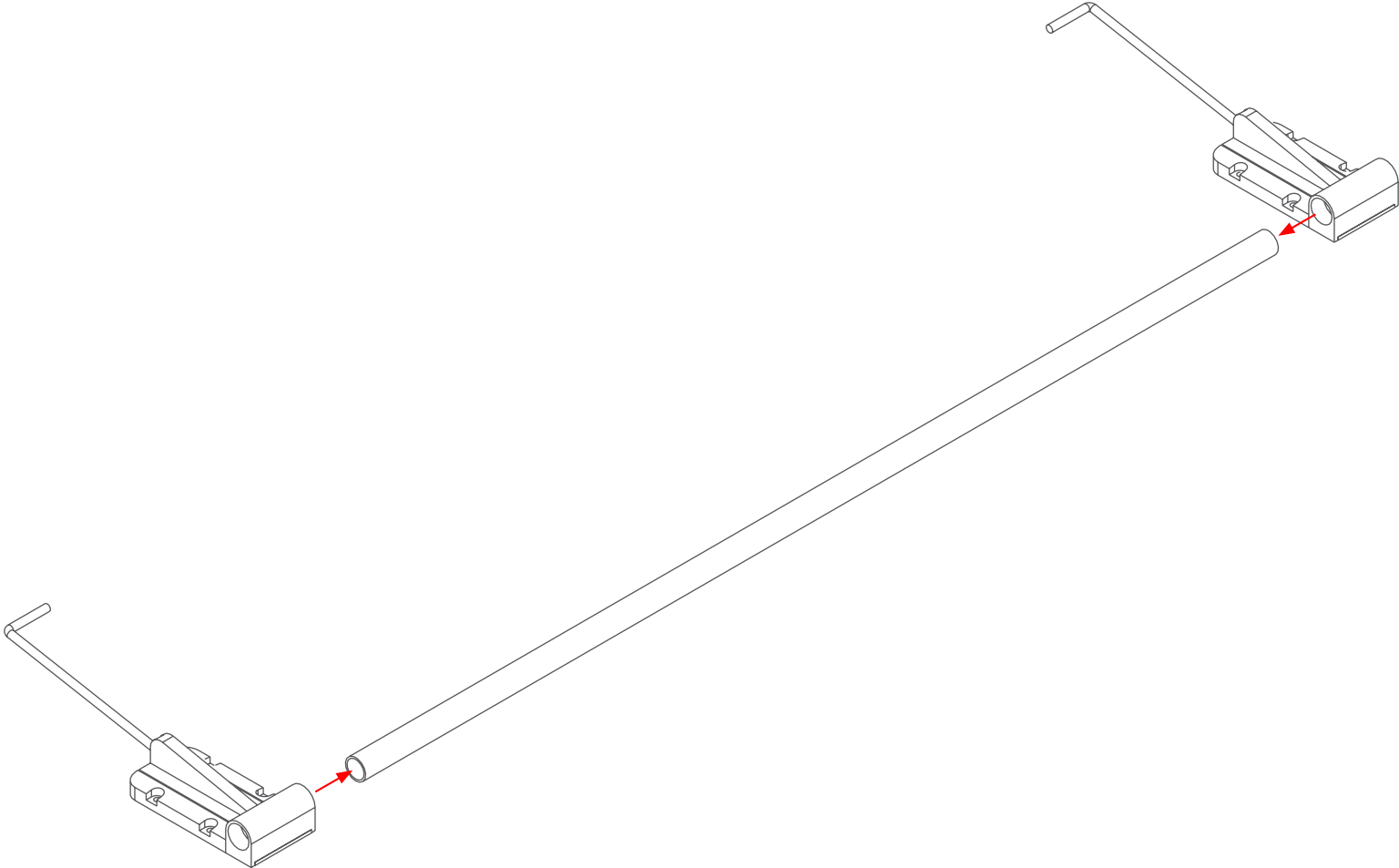
# Ascend Tech Adjust Flip Table

## Assembly Instructions

### STEP 2:



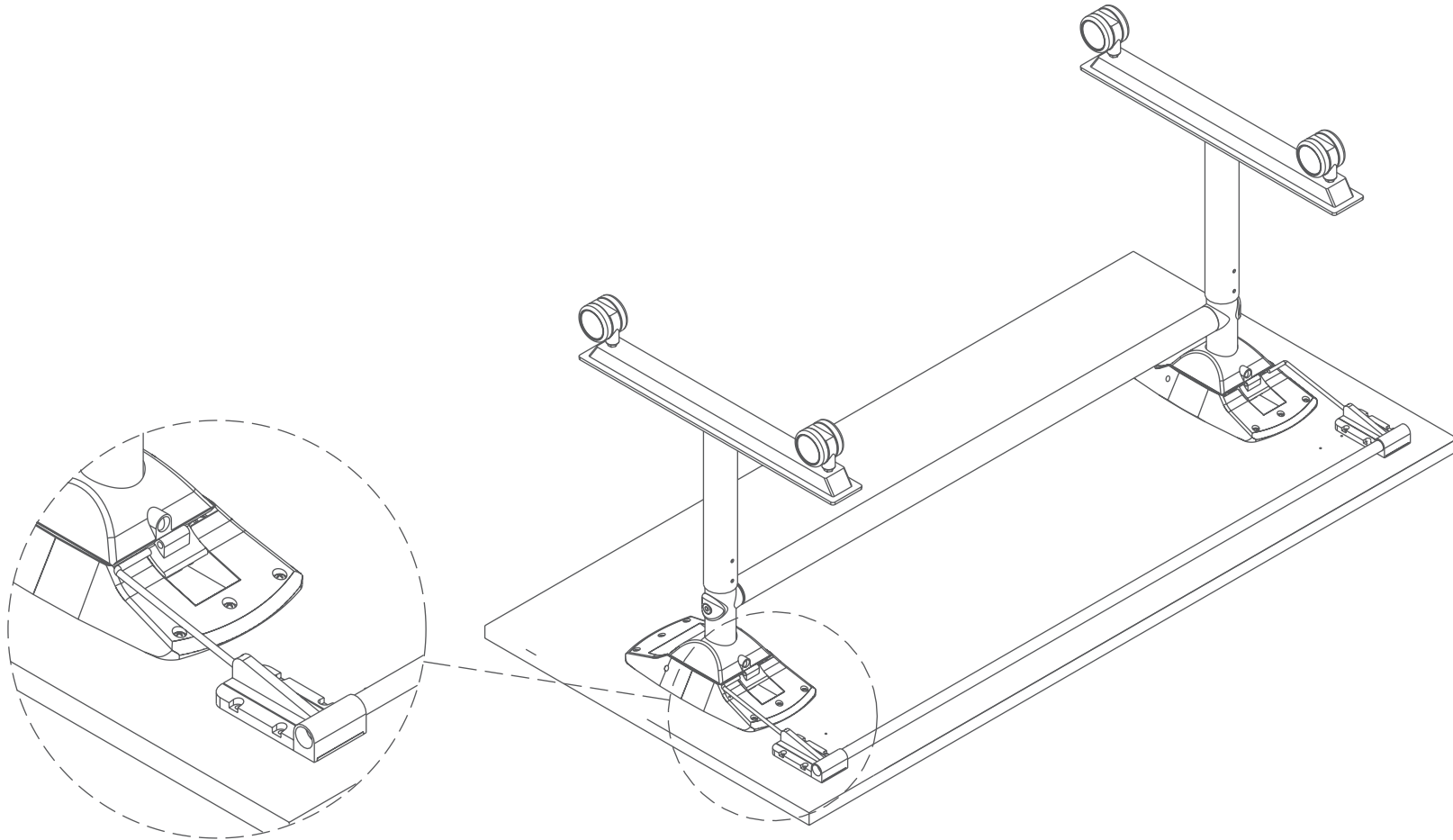
**STEP 3:**



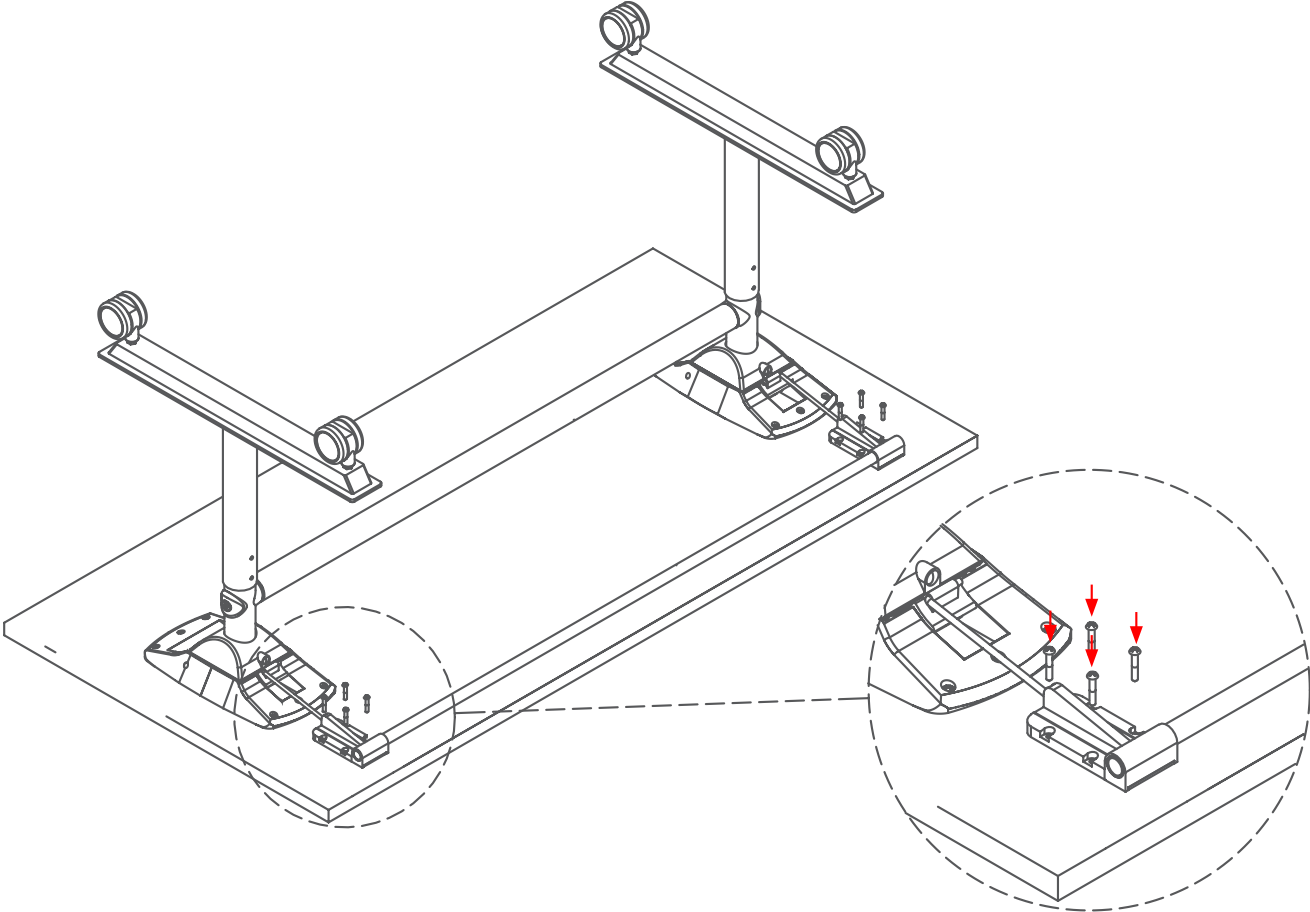
# Ascend Tech Adjust Flip Table

## Assembly Instructions

### STEP 4:



**STEP 5:**

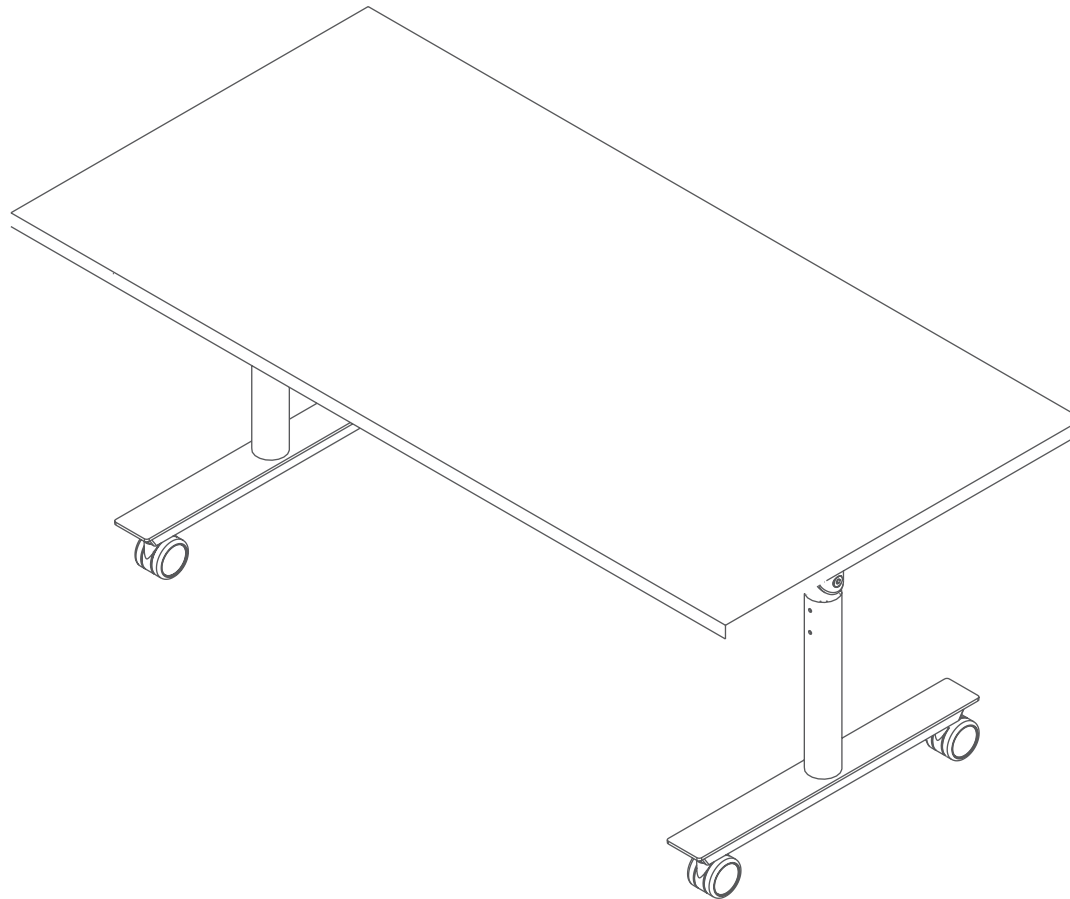


# Ascend Tech Adjust Flip Table

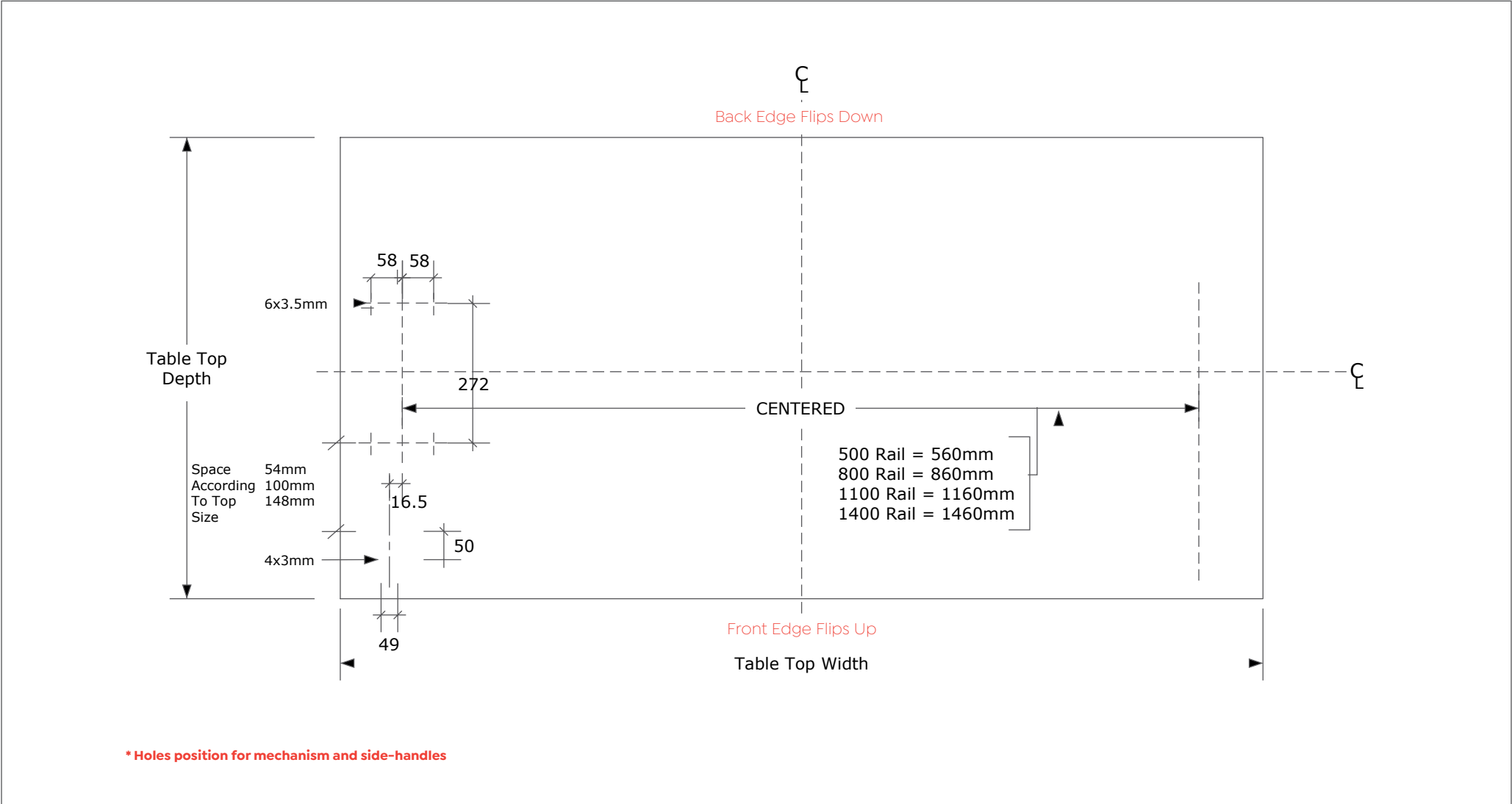
Assembly Instructions

---

**Complete:**







# Ascend Tech Adjust Flip Table

## Assembly Instructions

### Hole Position for Optional Connector Links

