



**EPIC OFFICE**  
furniture.com.au



# **Ascend** Tech Adjust Flip Table

Product Data Specification

# Ascend Tech Adjust Flip Table

## Product Data Specification

### Standard Features

**Height adjustable for all age groups-**

height adjustable in 40mm increments from 570mm to 840mm (includes measuring worktop thickness)

**Eco Friendly powdercoat finish**

in black to legs, pullbar and feet

**Fast assembly-**

comes mostly assembled - less than 5 minutes per frame install time

**Easy use flipping mechanism-**

one handed pull bar with just the right tension for ease of use

**Safety locking-** when tilted upright, the mechanism has locking stays on each mechanism to prevent accidental return to horizontal. To return to level, simply pull the pullbar to release

**Space saving when not required**

**for a table-** when you want a clear room, the tables fold and nest together to give 80% more space for other activities.

**Heavy Duty tops and hard-**

wearing edges- 25mm environmentally friendly EO grade worksurfaces in melamine, with matching hardcore edging to take the knocks.

**Mobility for easy shifting:**

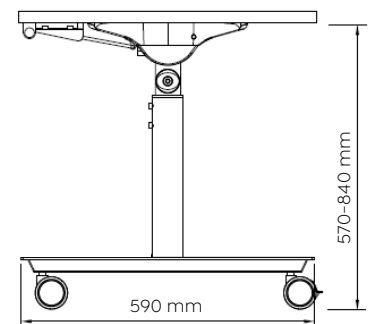
4 x Large easy-roll locking castors with locking function to make the table easy to move. When you have located the table where you need it, the castors can be locked to make non-mobile.

**Joining tables is easy-** Easily butt tops together and lock together using the top joiner provided with the frame.

**Sizing:** Frames to suit top lengths of 800-2100mm, and top widths of 600-750mm

**No-wobble tilt mechanism-** there is nothing worse than a table with wobble-this is a precision mechanism that locks in the horizontal super tight so there is zero wobble in the top.

**Long Life frames-** durable welded steel construction designed to last a minimum 20 years.



# Ascend Tech Adjust Flip Table

## Product Data Specification

### Worktops Available In

- 1200mm x 600mm
- 1200mm x 750mm
- 1500mm x 600mm
- 1500mm x 750mm
- 1600mm x 600mm
- 1600mm x 750mm
- 1800mm x 600mm
- 1800mm x 750mm

### Frames Available In

- 800mm - 800mm x 600 - 750mm
- 1100mm - 1500mm x 600 - 750mm
- 1400mm - 1800mm x 600 - 750mm
- 1700mm - 2100mm x 600 - 750mm

### Worktops

Melamine - 25 mm E1 grade substrate finished in studio white or new oak with matching 2 mm PVC edge

#### New Oak

- OG\_ASCFLIP126B\_NO
- OG\_ASCFLIP1275B\_NO
- OG\_ASCFLIP156B\_NO
- OG\_ASCFLIP1575B\_NO
- OG\_ASCFLIP166B\_NO
- OG\_ASCFLIP1675B\_NO
- OG\_ASCFLIP186B\_NO
- OG\_ASCFLIP1875B\_NO

#### White

- OG\_ASCFLIP126B\_W
- OG\_ASCFLIP1275B\_W
- OG\_ASCFLIP156B\_W
- OG\_ASCFLIP1575B\_W
- OG\_ASCFLIP166B\_W
- OG\_ASCFLIP1675B\_W
- OG\_ASCFLIP186B\_W
- OG\_ASCFLIP1875B\_W

#### Frames Only

- OG\_ASCFLIP050\_B
- OG\_ASCFLIP080\_B
- OG\_ASCFLIP110\_B
- OG\_ASCFLIP140\_B

### Frames

Black powdercoat finish to legs, rails, pullbar and feet

Worktop height 840 mm

#### Worktop Colour Options

- W **White**
- NO **New Oak**

#### Frame Colour Options

- B **Black**



# Ascend Tech Adjust Flip Table

## Product Data Specification

### SPACE SAVING WHEN NOT REQUIRED FOR A TABLE

When you want a clear room, the tables fold and nest together to give 80% more space for other activities

**Fast Assembly:** Comes mostly assembly- less than 5 minutes per frame install time

**No Wobble Tilt Mechanism:** There's nothing worse than a table with wobble- this is a precision mechanism that locks in the horizontal super tight so there is zero wobble in the top

### HEAVY DUTY TOPS AND HARD-WEARING EDGES

25mm environmentally friendly EO grade worksurfaces in melamine, with matching hardcore edging to take the knocks.

### EASY USE FLIPPING MECHANISM

One handed pull bar with just the right tension for ease of use

### SAFETY LOCKING

When tilted upright, the mechanism has locking stays on each mechanism to prevent accidental return to horizontal. To return to level, simply pull the pullbar to release

### JOINING TABLES IS EASY

Easily butt tops together and lock together using the top joiner provided with the frame

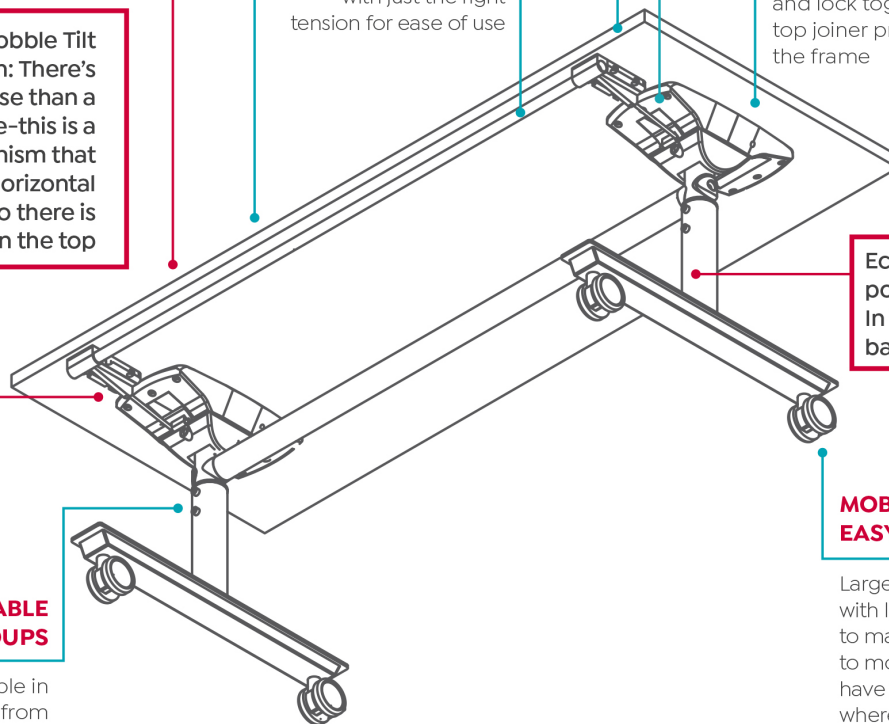
**Eco Friendly powder coat finish:** In black to legs, pull bar and feet

### HEIGHT ADJUSTABLE FOR ALL AGE GROUPS

Height adjustable in 40mm increments from 600mm to 840mm (includes measuring worktop thickness)

### MOBILITY FOR EASY SHIFTING

Large easy-roll castors with locking function to make the table easy to move. When you have located the table where you need it, the castors can be locked to make non-mobile.



Standard Worktop Sizes: Frames to suit top lengths of 800-2100mm, and top widths of 600-750mm

