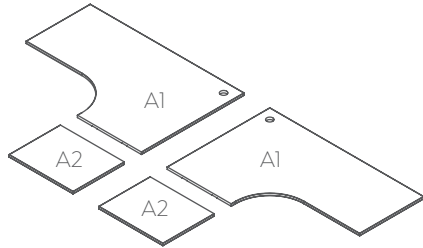


Axis 2 - User 90° Workstation

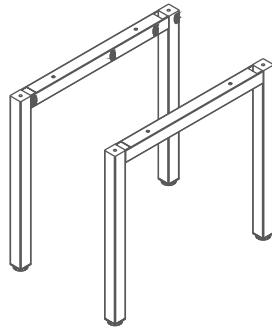
Assembly Instructions

Axis 2-User 90° Workstation

Components List

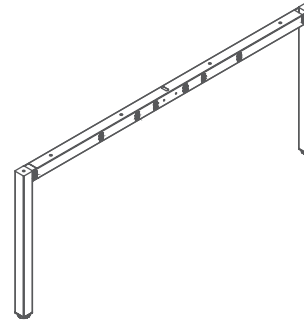


Axis Worktop



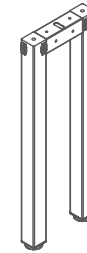
1 x L & R Leg Pair

EL



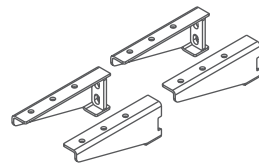
1 x End Leg

BL



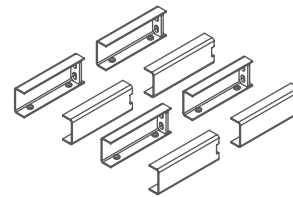
1 x 2-Way 90° Leg

SL



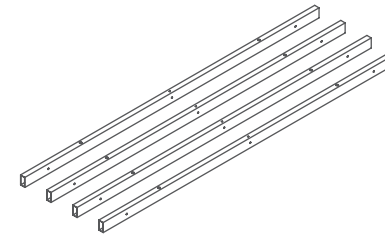
2 x Pair AXKDBRAC

B



4 x Pair AXKDSPIGE

C



4 x Rail

R



24 - M6 x 20



16 - M8 x 16

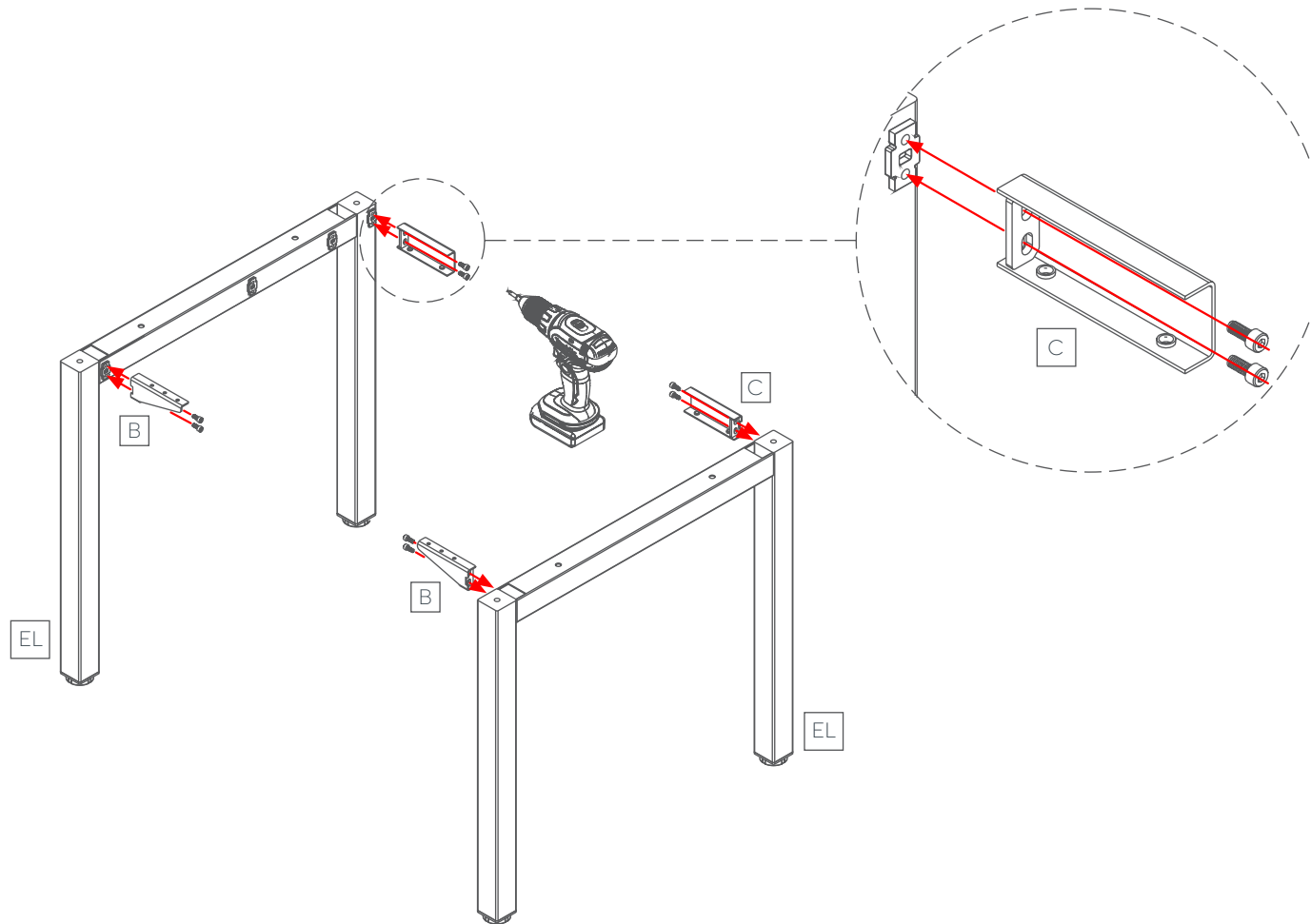
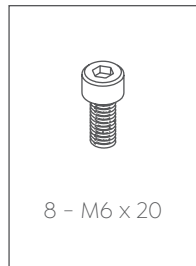


12 - ST6 x 23



16 - ST5 x 70

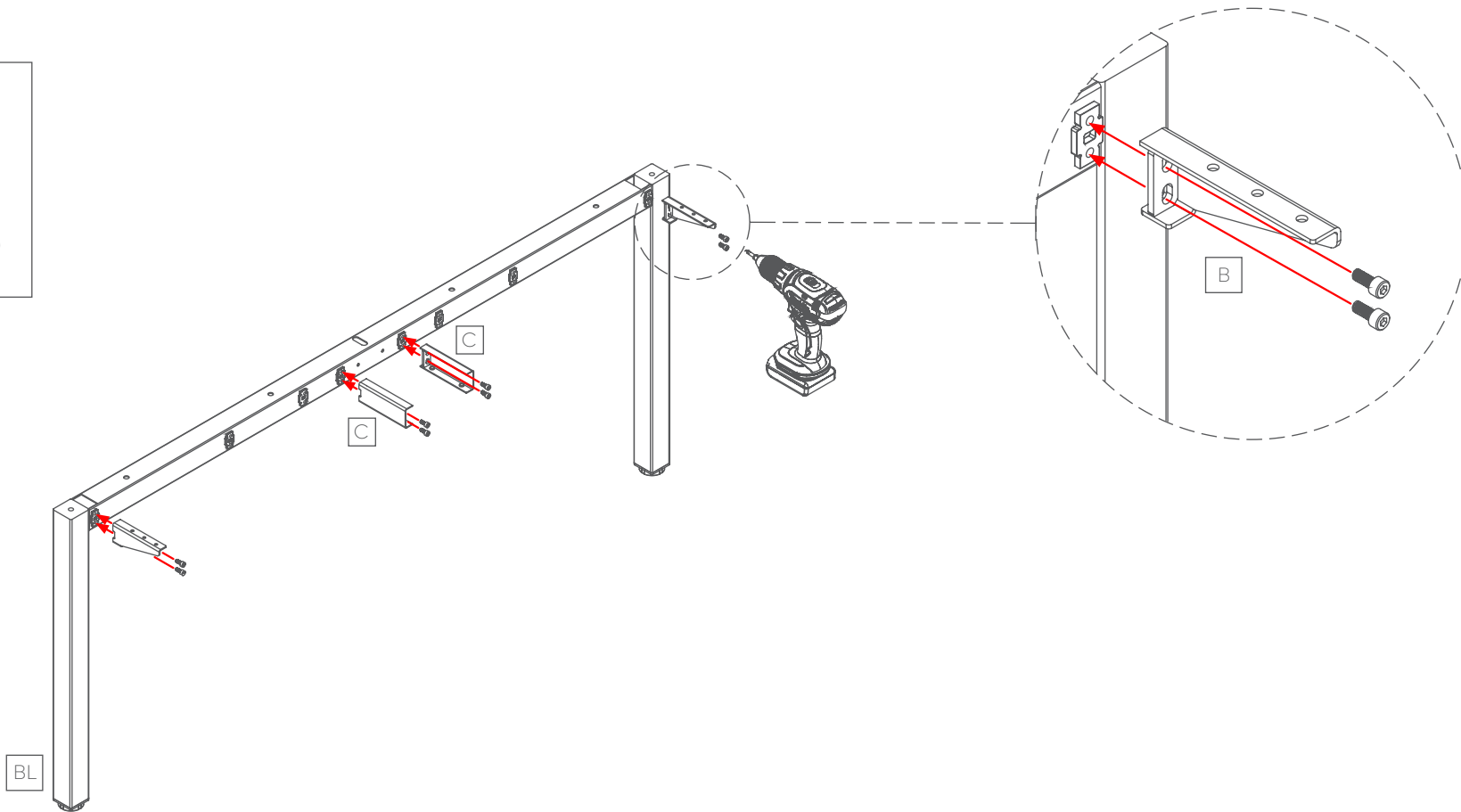
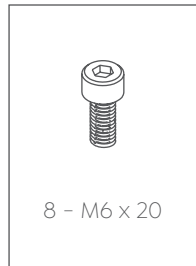
STEP 1:



Axis 2-User 90° Workstation

Assembly Instructions

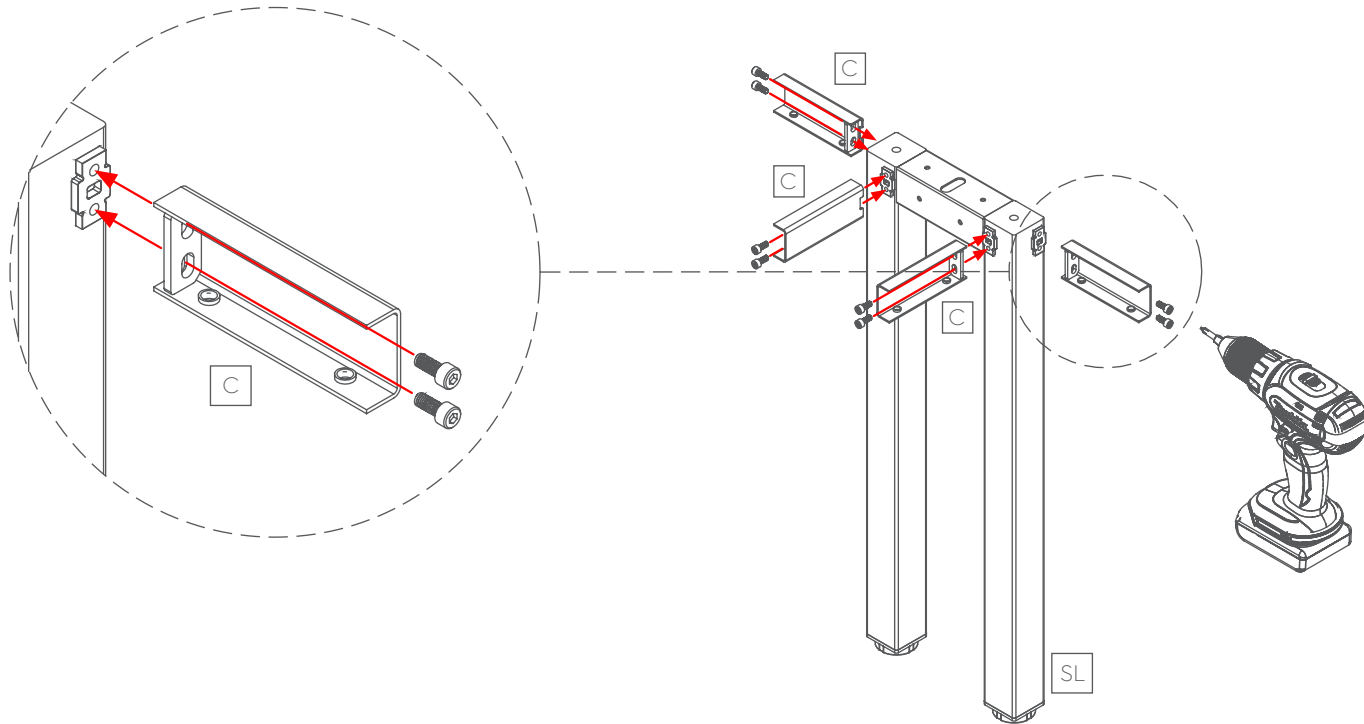
STEP 2:



STEP 3:



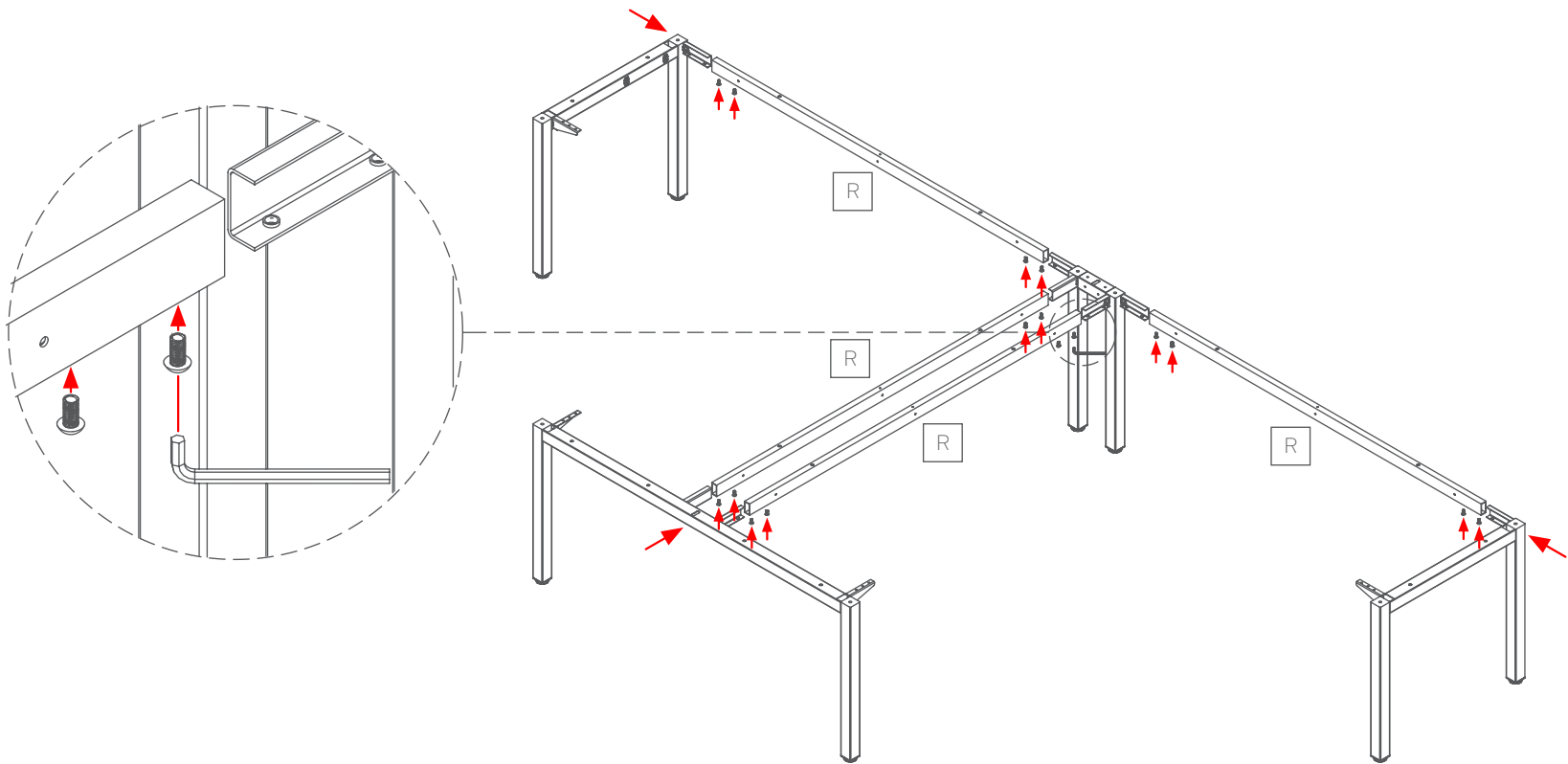
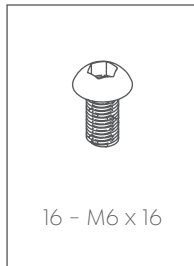
8 - M6 x 20



Axis 2-User 90° Workstation

Assembly Instructions

STEP 4:



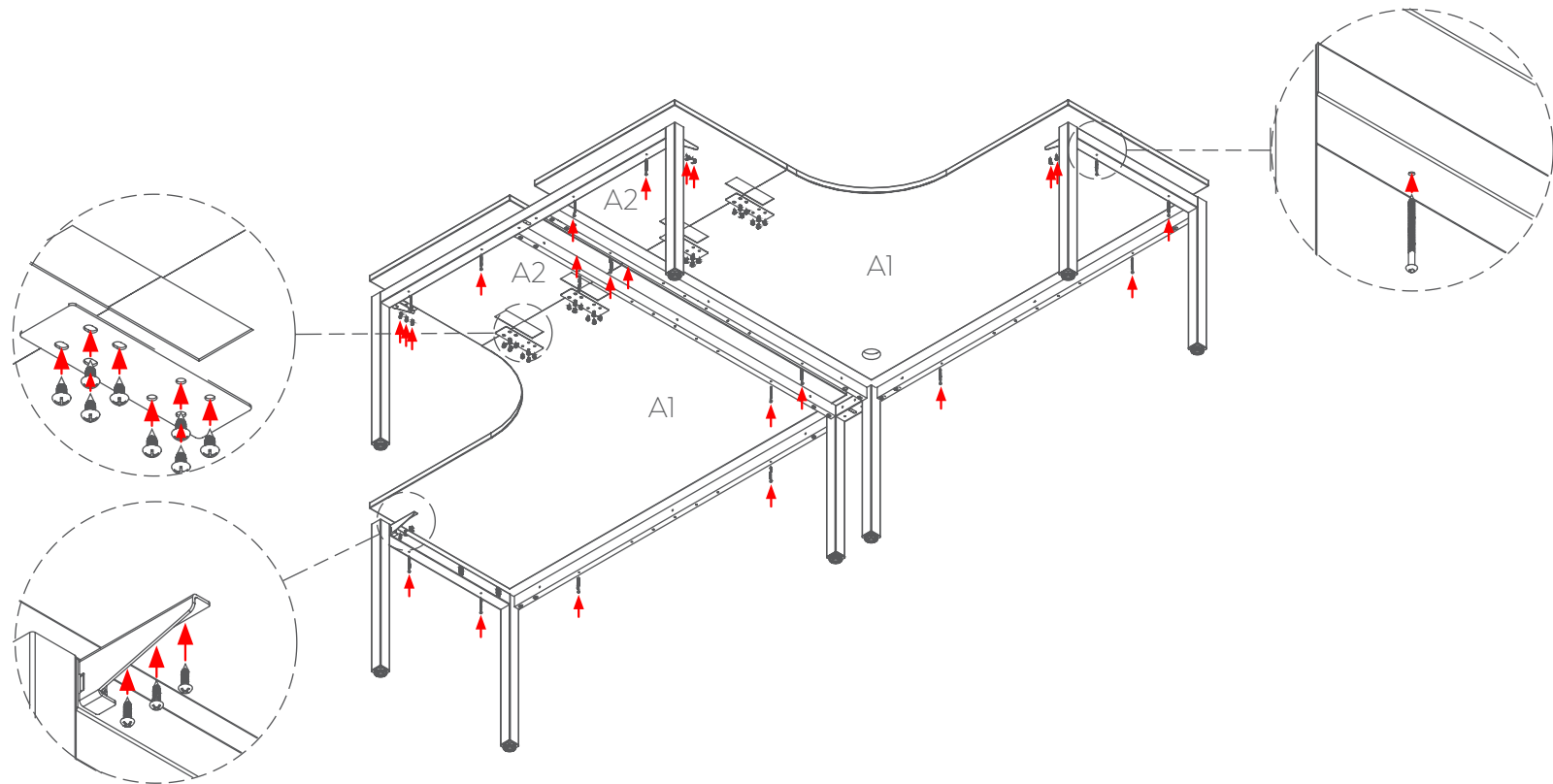
STEP 5:



12 - ST6 x 23



16 - ST5 x 70



Axis 2-User 90° Workstation

Assembly Instructions

Complete:

