

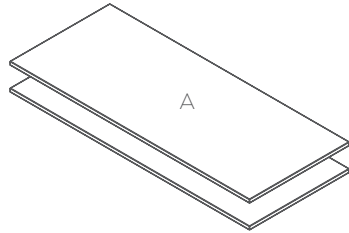
---

## **Axis 3-User Single Sided Workspace**

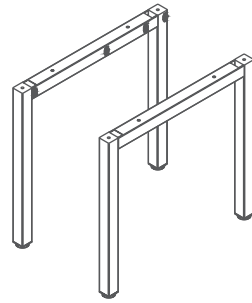
Assembly Instructions

# Axis 3-User Single Sided Workspace

## Components List

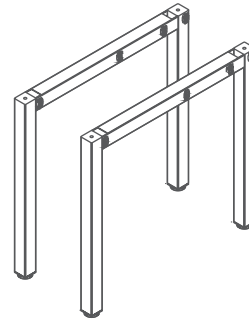


Axis Worktop



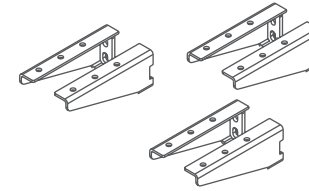
1 x L & R Leg Pair

EL



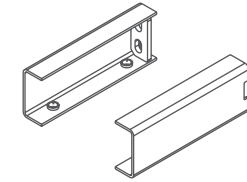
2 x Mid Leg

ML



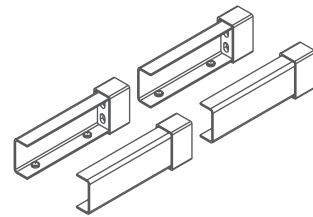
3 x Pair AXKDBRAC

B



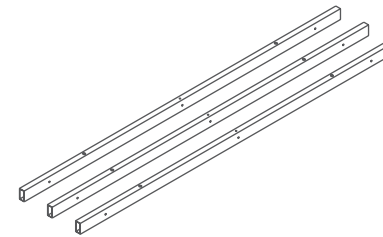
1 x Pair AXKDSPIGE

C



2 x Pair AXKDSPIGE

D



3 x Rail

R



16 - M6 x 20



8 - M8 x 30



12 - M8 x 16



18 - ST6 x 23

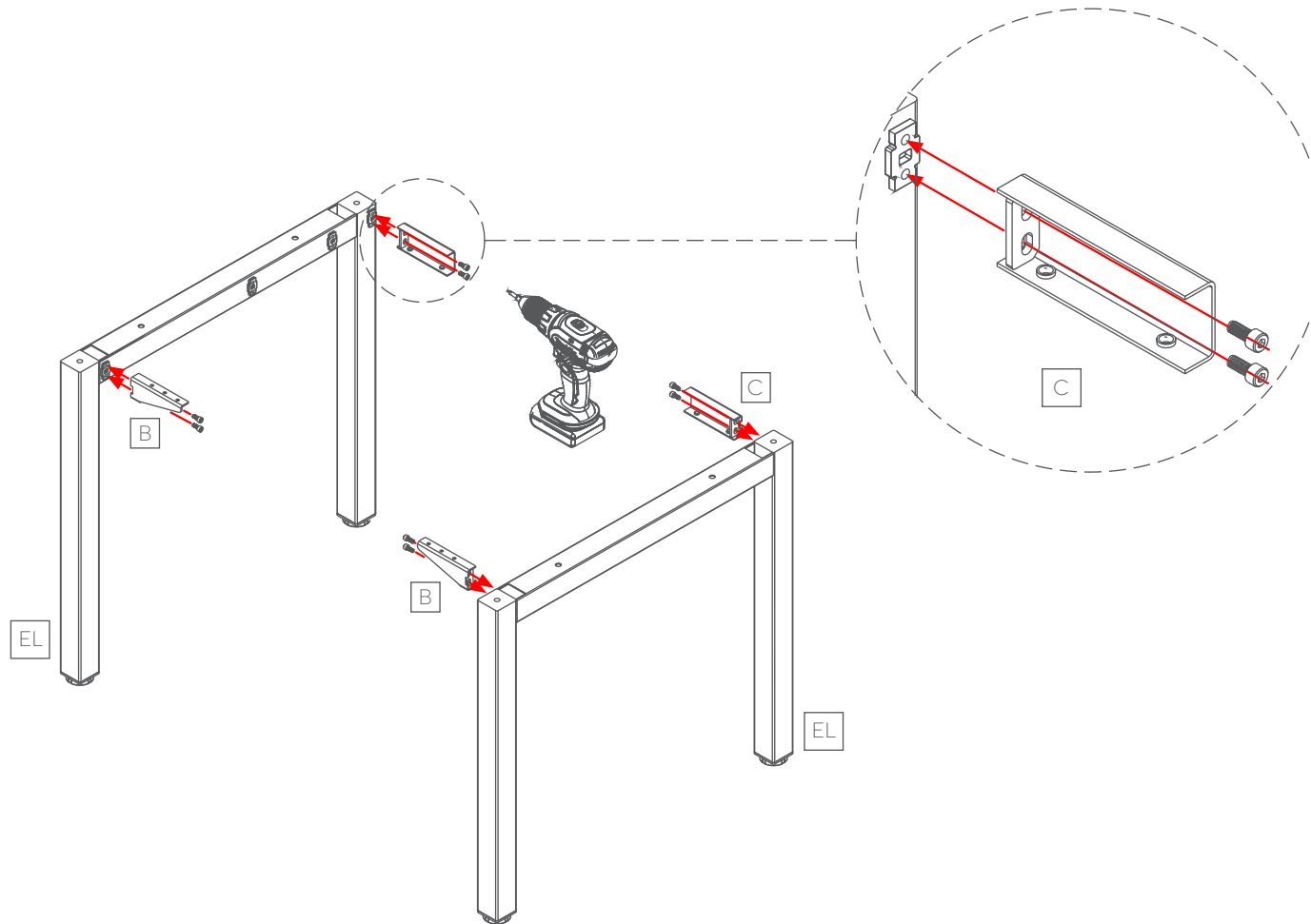
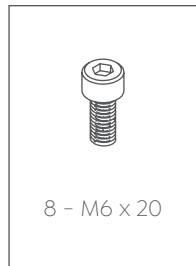


10 - ST5 x 70

# Axis 3-User Single Sided Workspace

Assembly Instructions

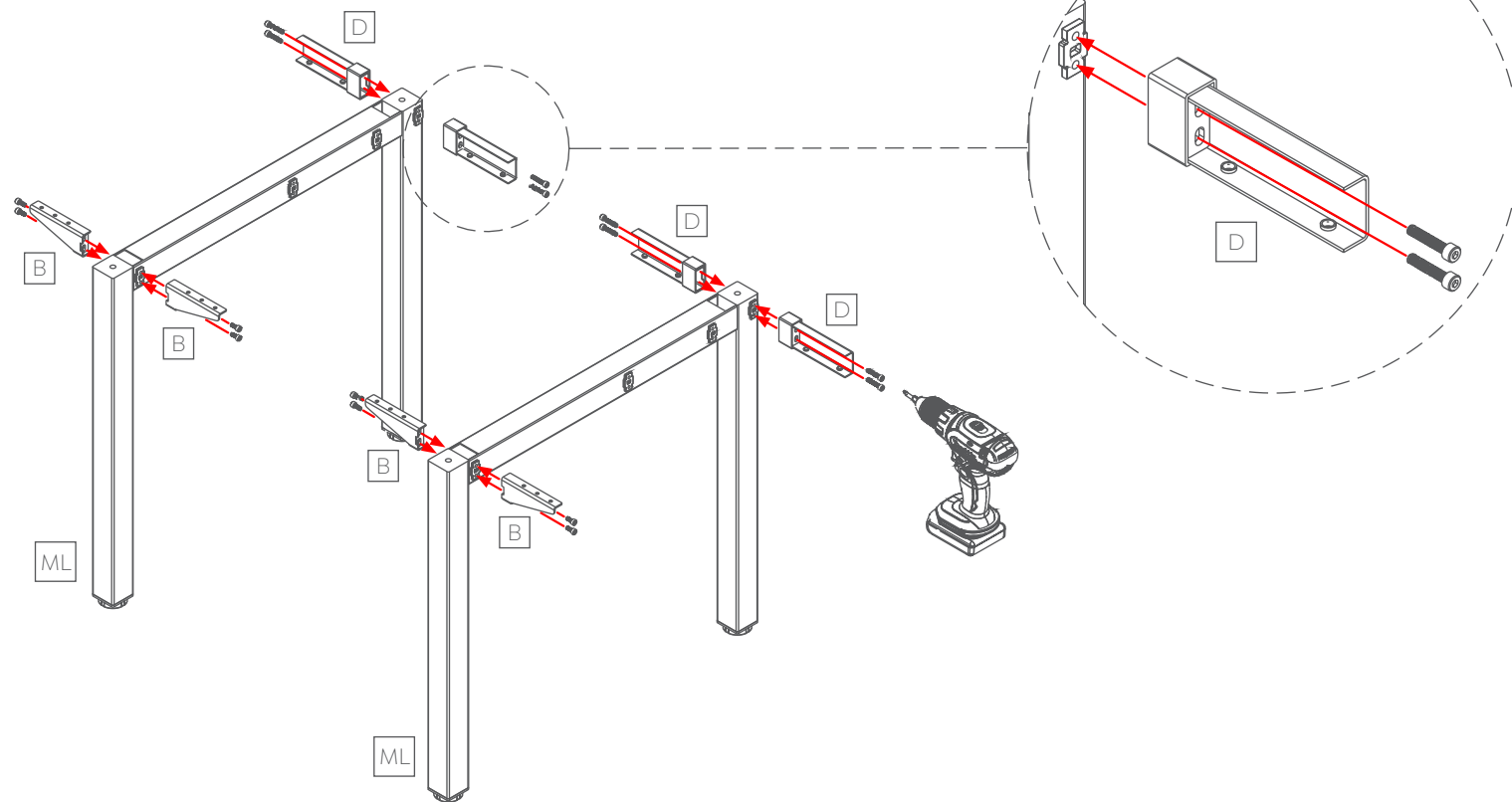
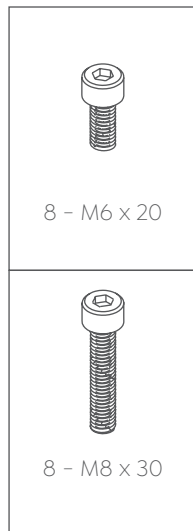
## STEP 1:



# Axis 3-User Single Sided Workspace

## Assembly Instructions

### STEP 2:



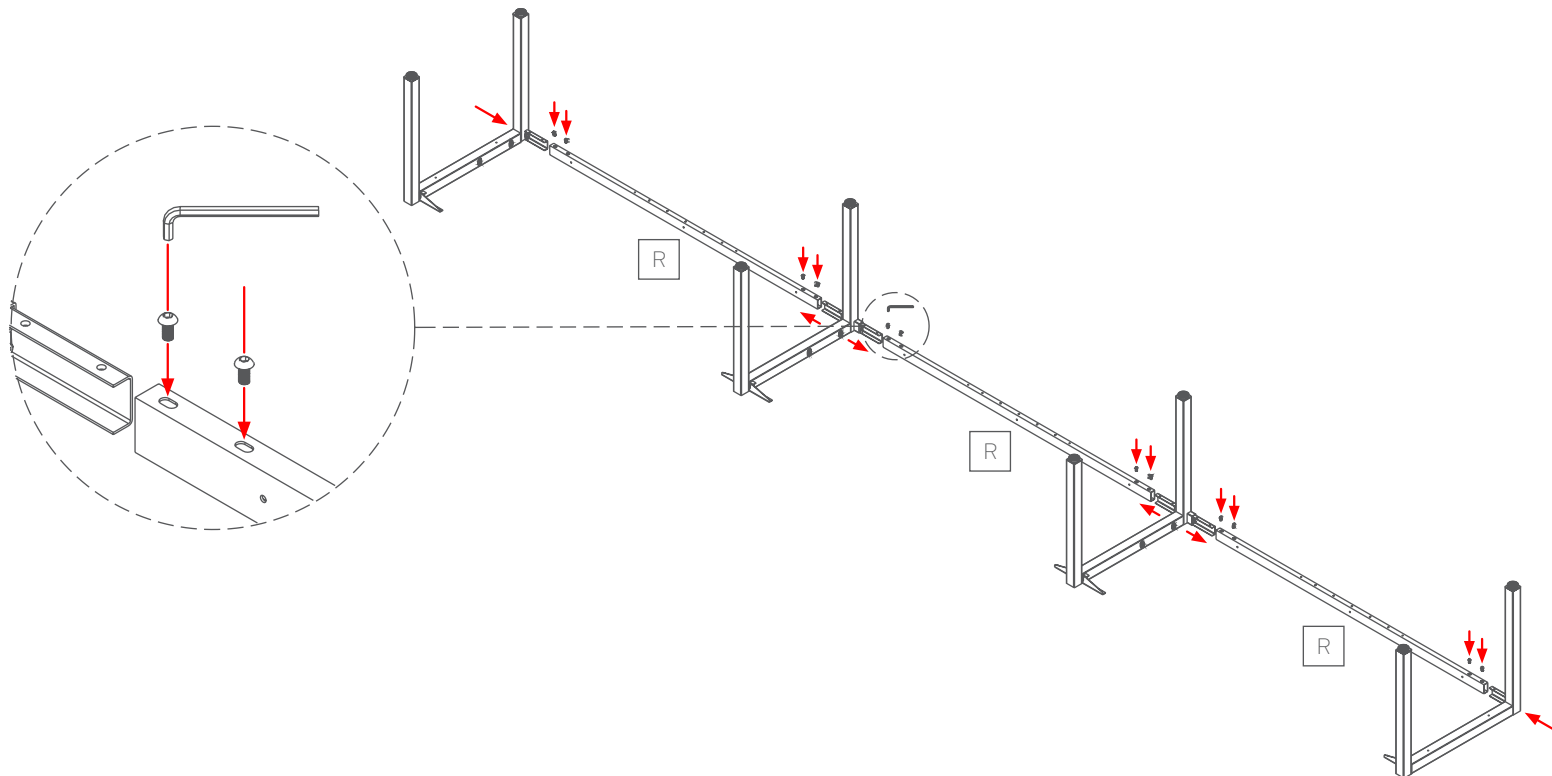
# Axis 3-User Single Sided Workspace

Assembly Instructions

## STEP 3:



12 - M6 x 16



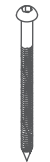
# Axis 3-User Single Sided Workspace

## Assembly Instructions

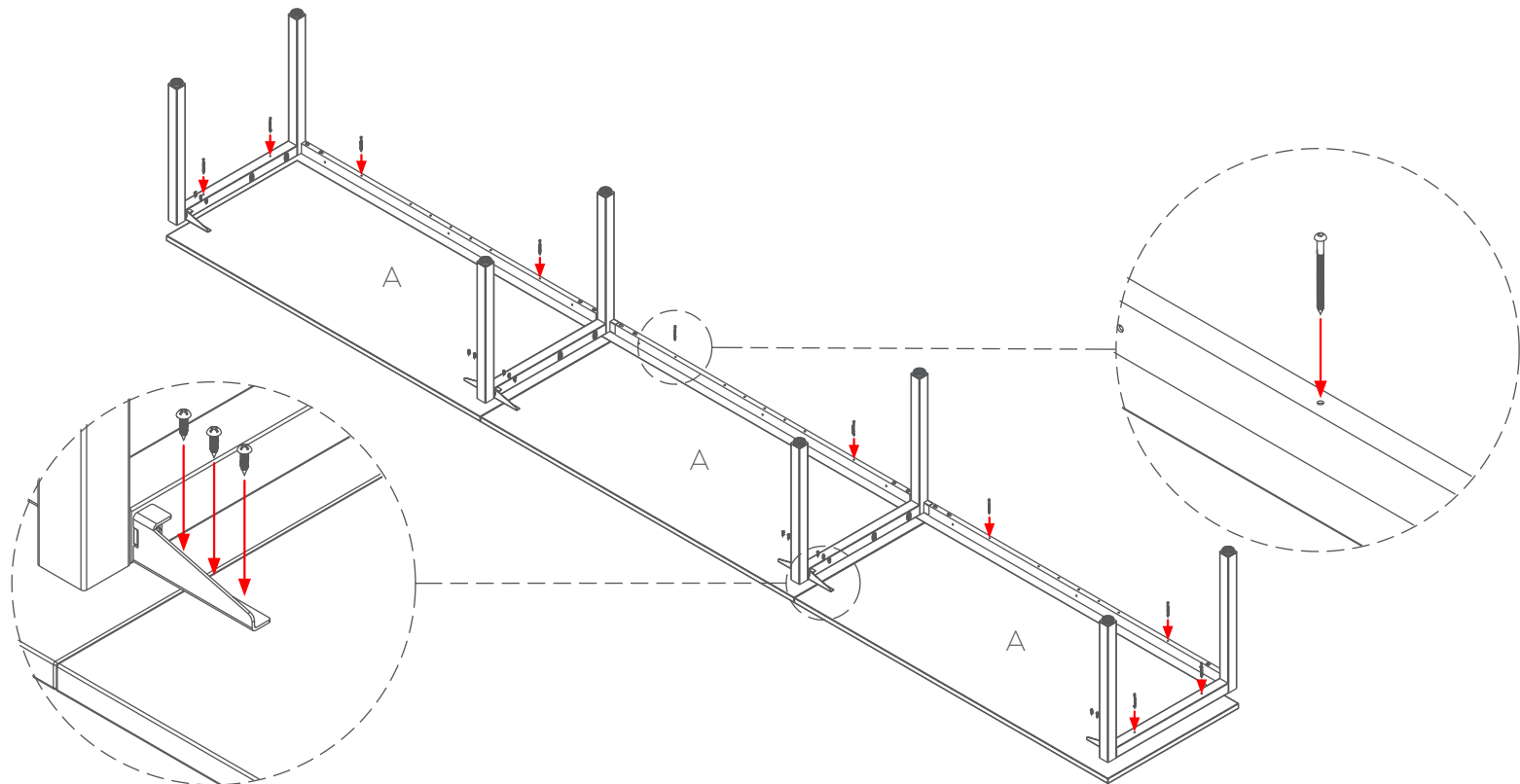
### STEP 4:



18 - ST6 x 23



10 - ST5 x 70



# Axis 3-User Single Sided Workspace

Assembly Instructions

**Complete:**

