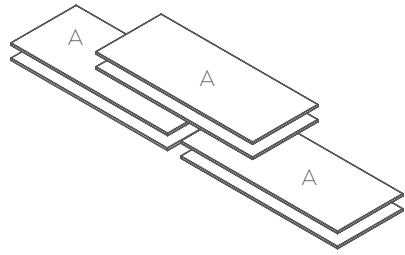


Axis 6-User Double Sided Workspace

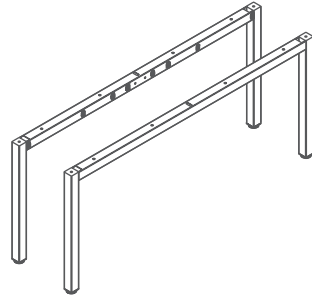
Assembly Instructions

Axis 6-User Double Sided Workspace

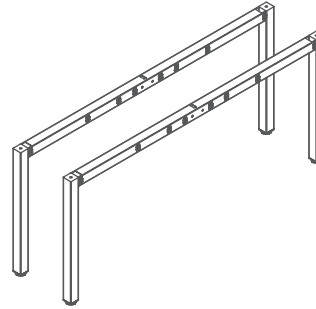
Components List



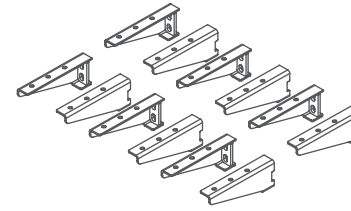
Axis Worktop



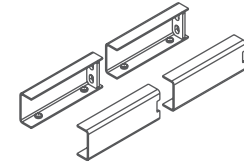
1 x L & R Leg Pair



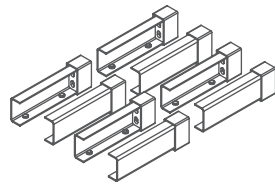
1 x L & R Leg Pair



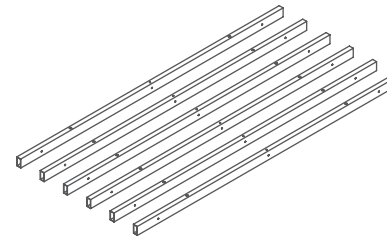
6 x Pair AXKDBRAC



2 x Pair AXKDSPIGE



4 x Pair AXKDSPIGE



6 x Rail



32 - M6 x 20



16 - M6 x 30



24 - M8 x 16



36 - ST6 x 23



20 - ST5 x 70

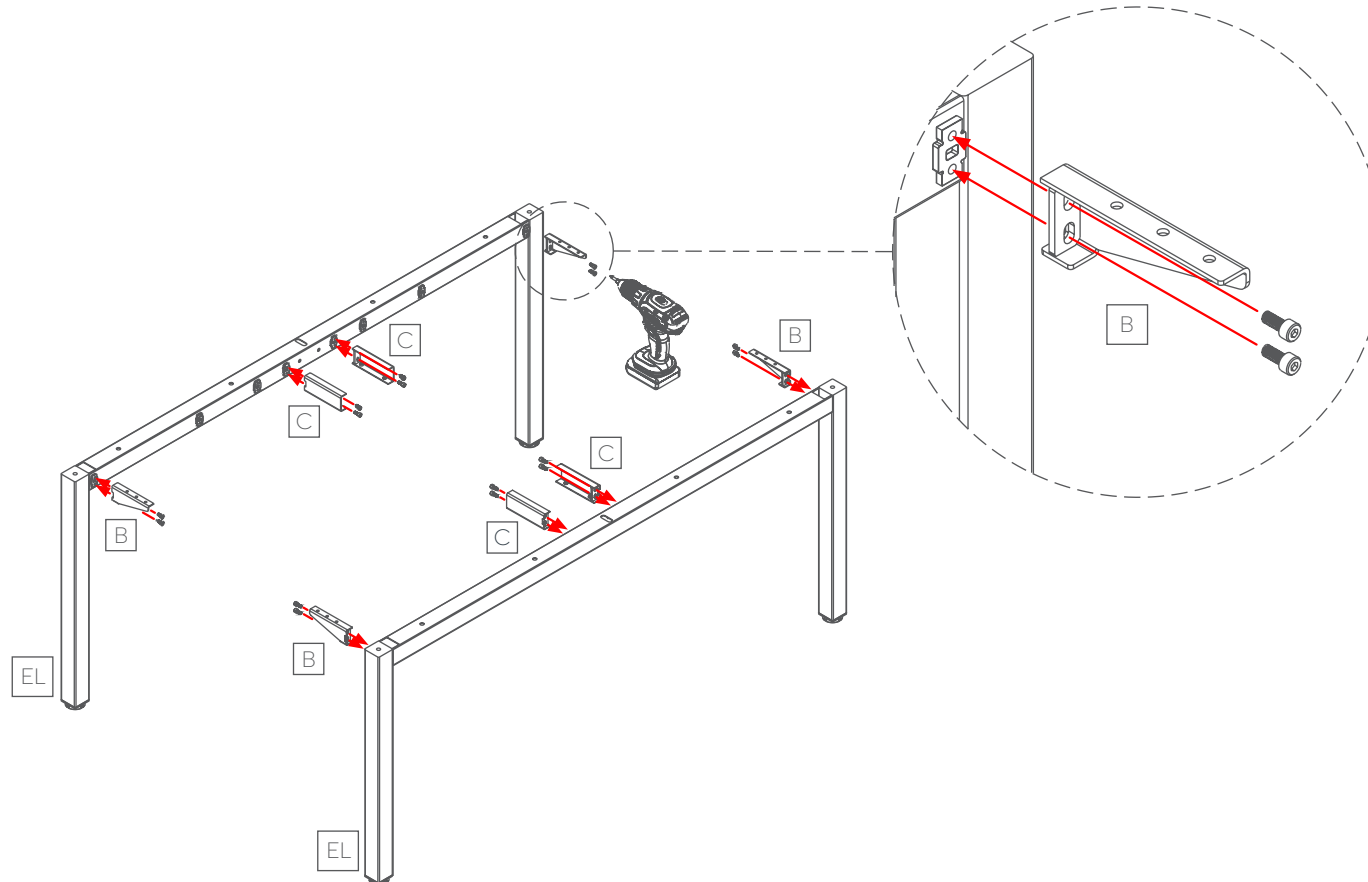
Axis 6-User Double Sided Workspace

Assembly Instructions

STEP 1:



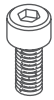
16 - M6 x 20



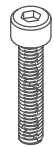
Axis 6-User Double Sided Workspace

Assembly Instructions

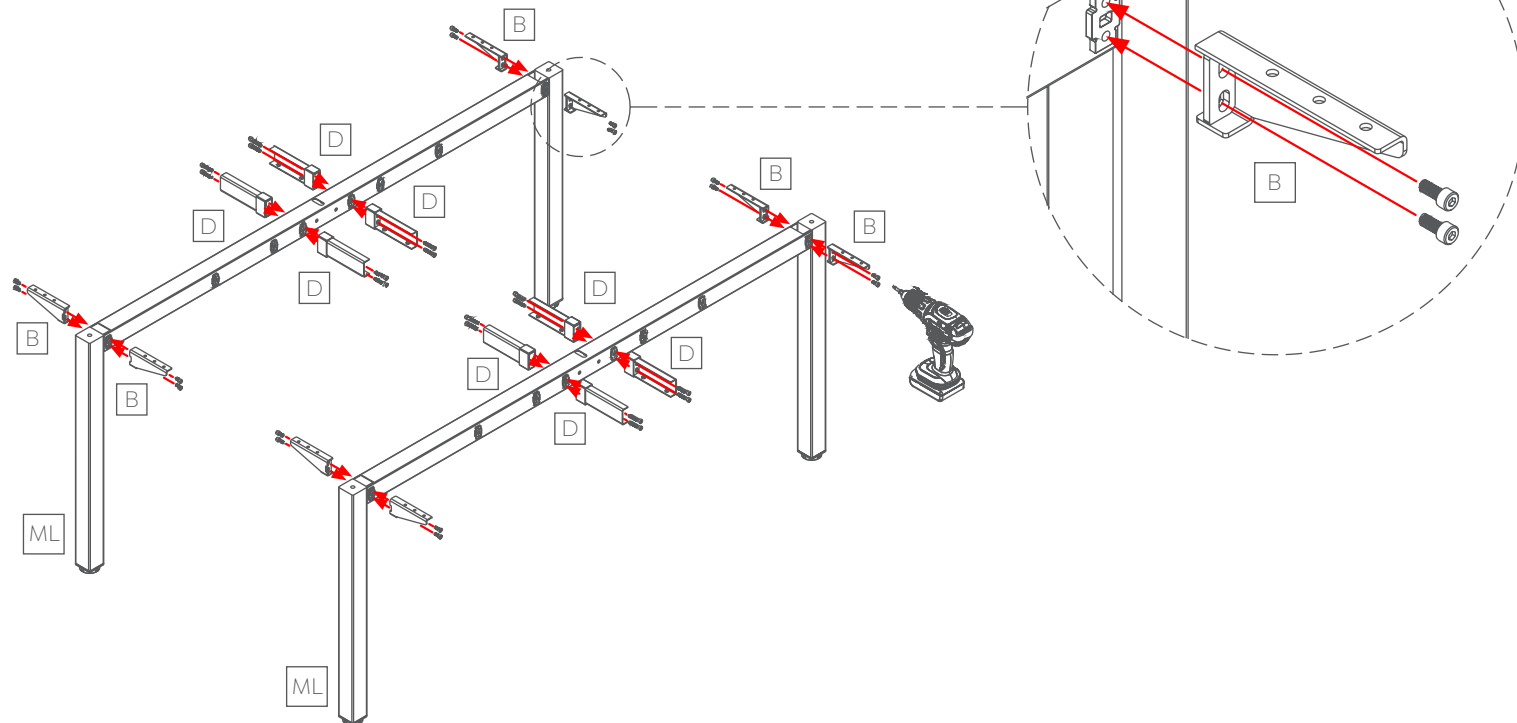
STEP 2:



16 - M6 x 20



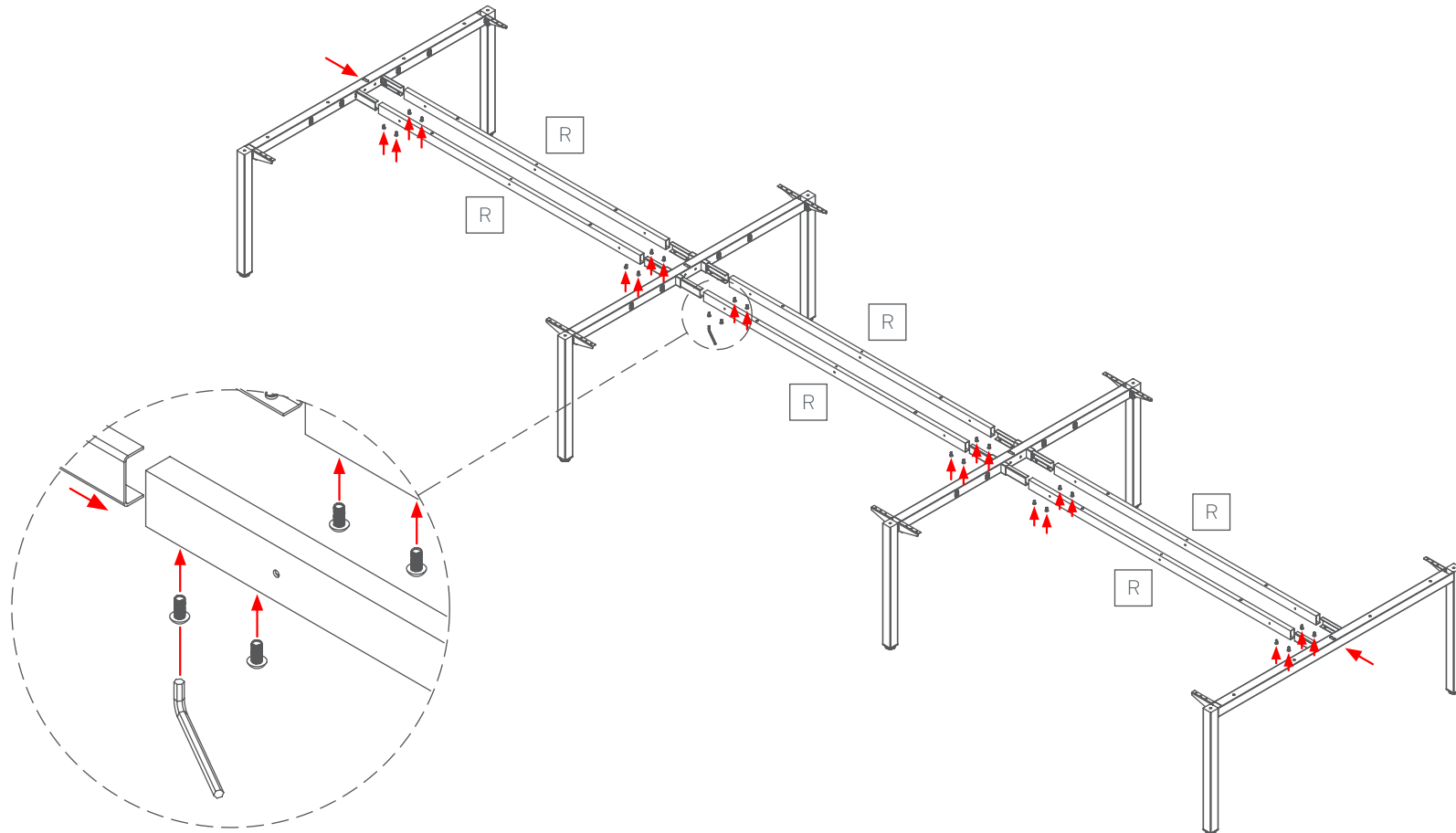
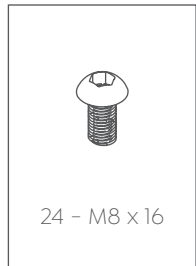
16 - M6 x 30



Axis 6-User Double Sided Workspace

Assembly Instructions

STEP 3:



Axis 6-User Double Sided Workspace

Assembly Instructions

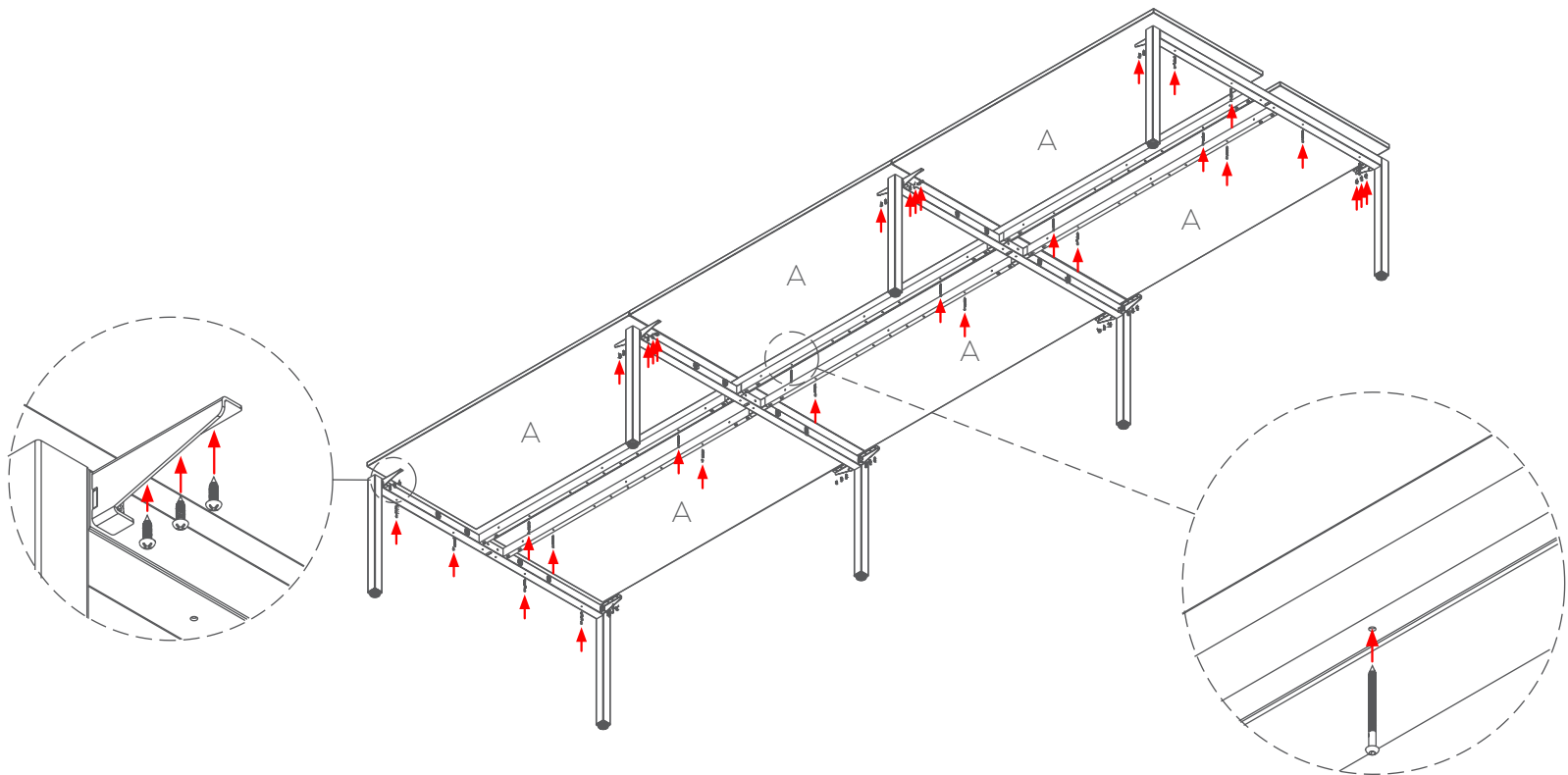
STEP 4:



36 - ST6 x 23



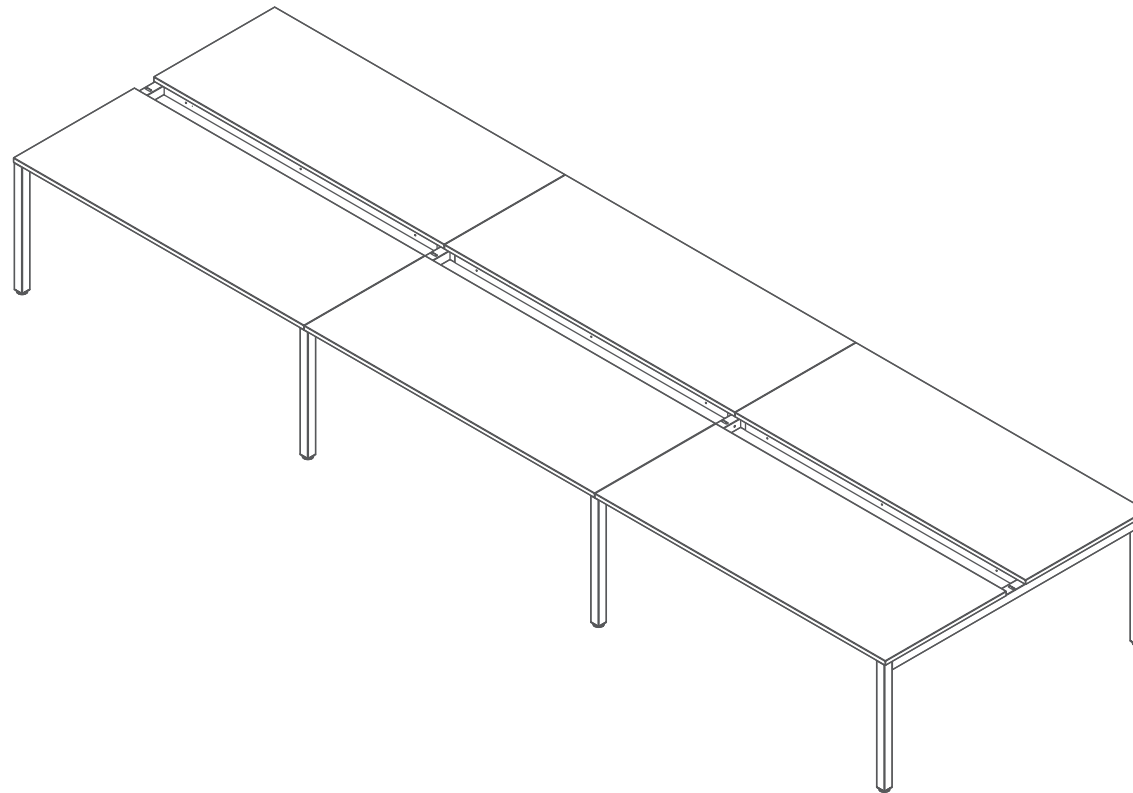
20 - ST5 x 70



Axis 6-User Double Sided Workspace

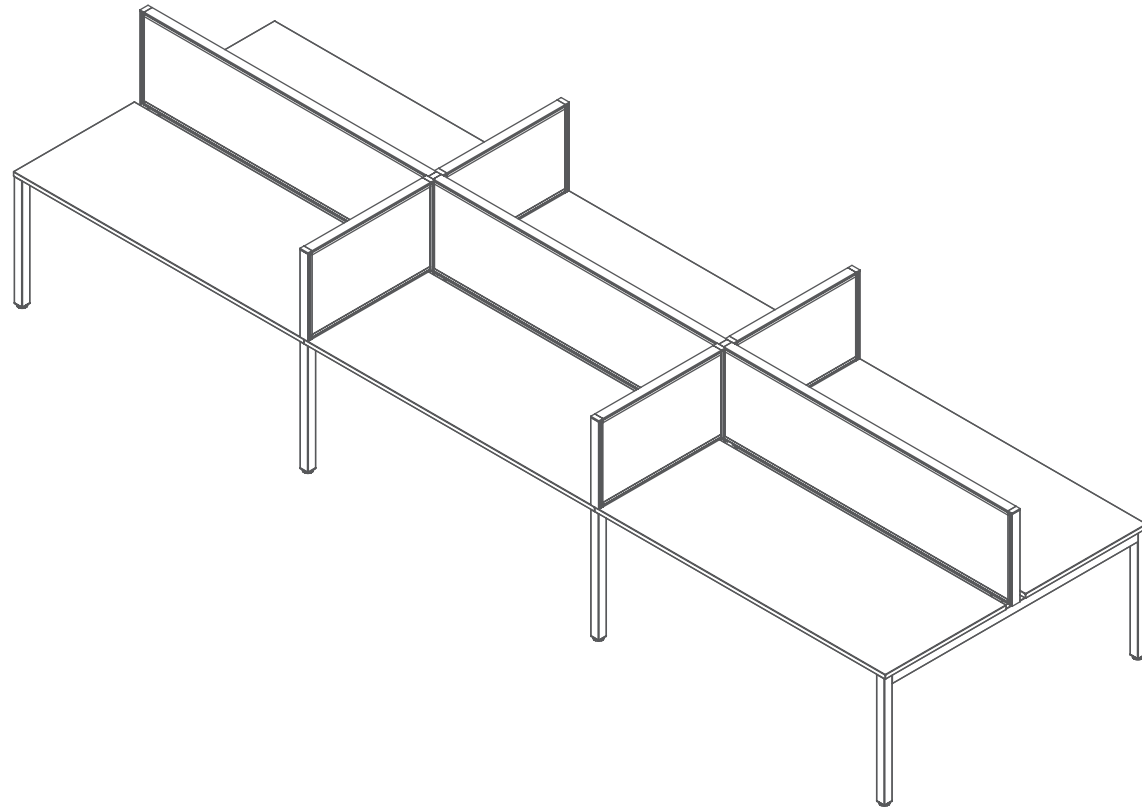
Assembly Instructions

Complete:



Optional Studio50 Desk Mounted Screen

Assembly Instructions

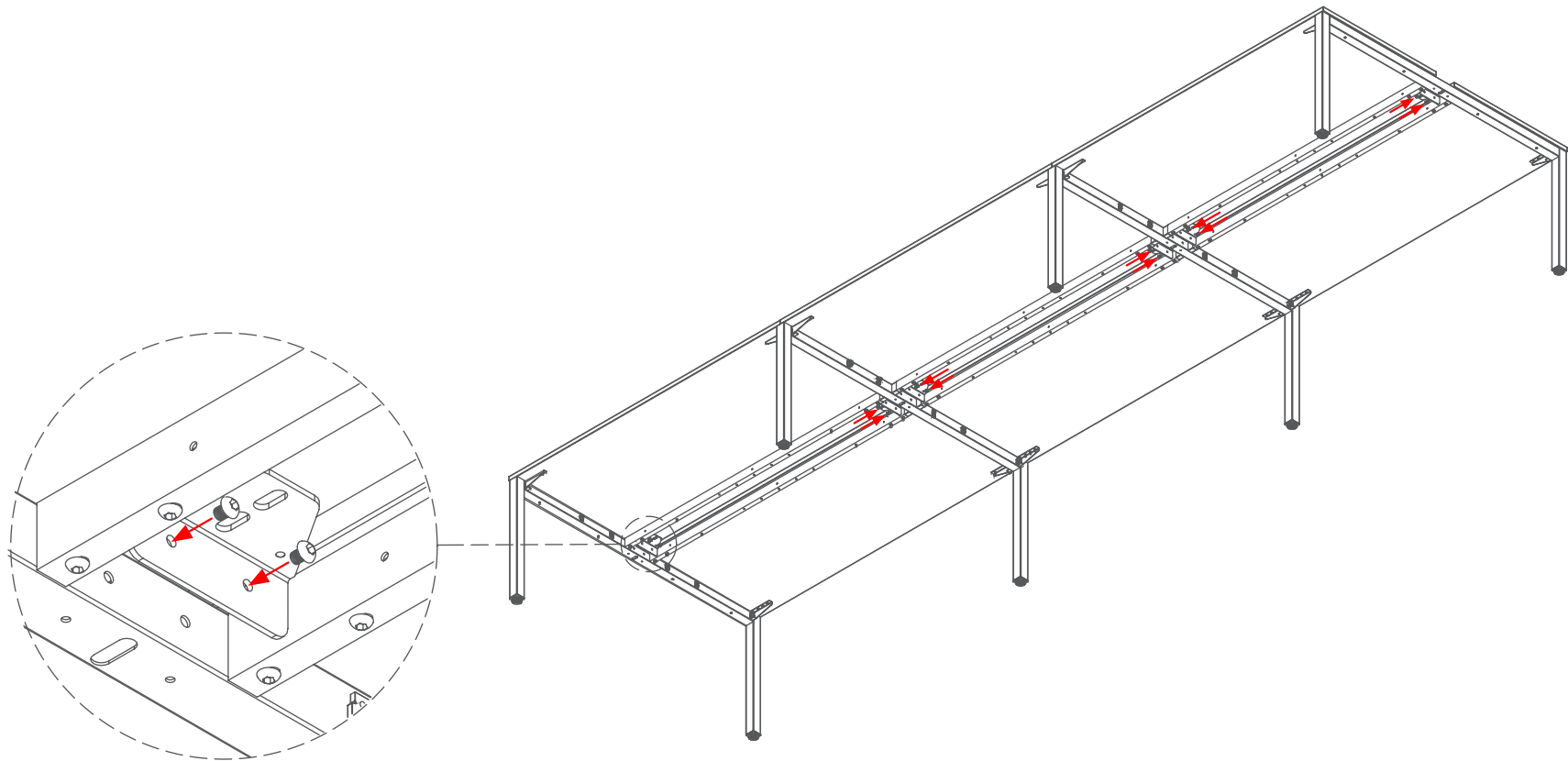


Studio50
Screens are
Australian
Made.

Optional Studio50 Desk Mounted Screen

Assembly Instructions

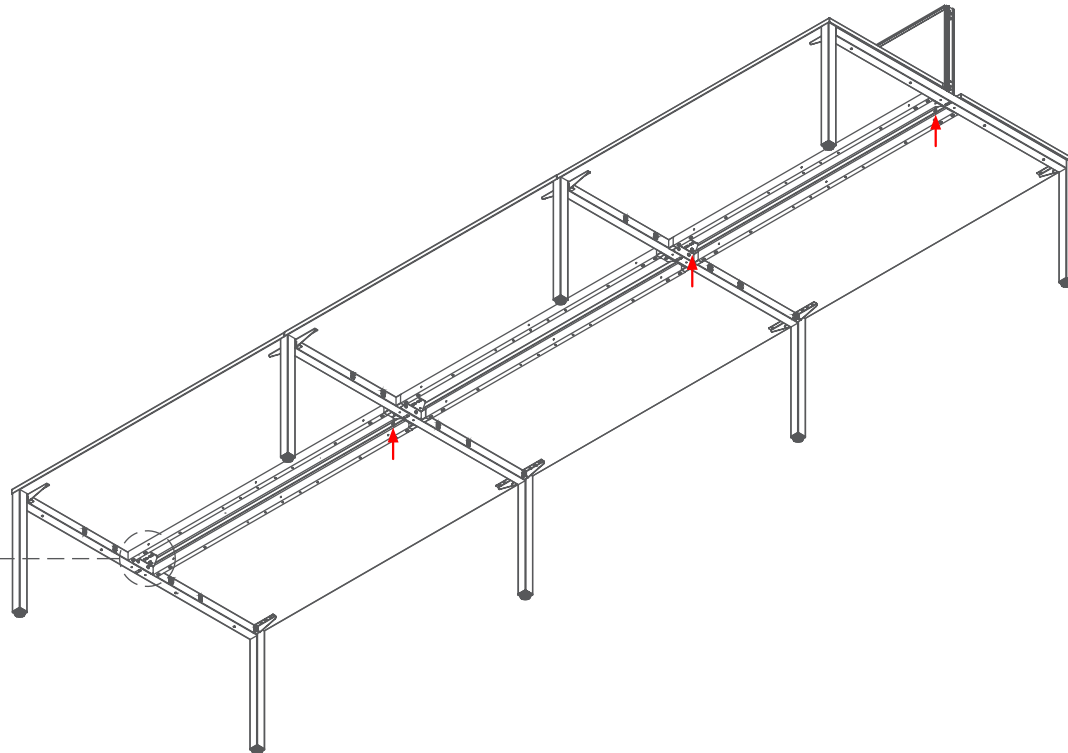
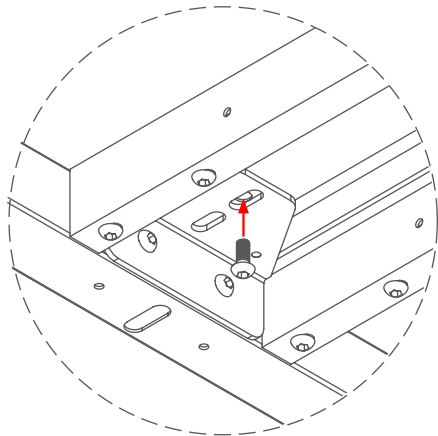
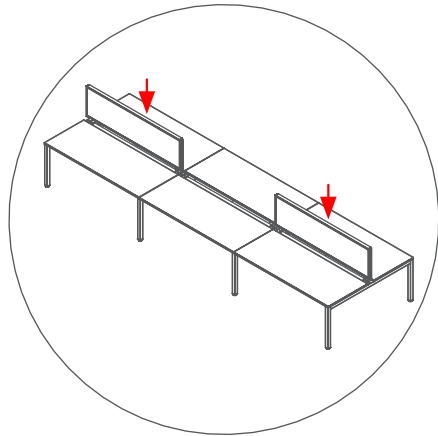
STEP 1:



Optional Studio50 Desk Mounted Screen

Assembly Instructions

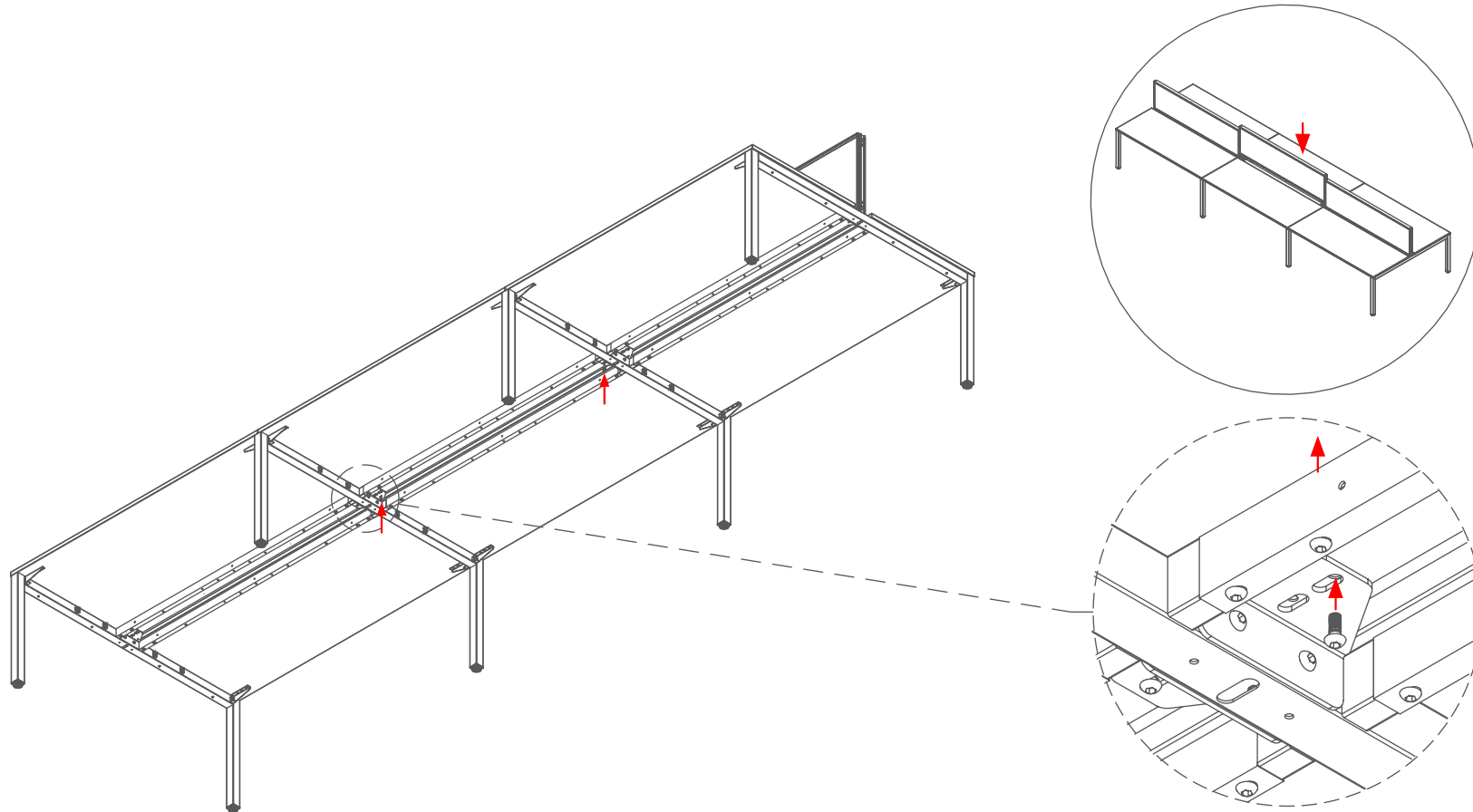
STEP 2:



Optional Studio50 Desk Mounted Screen

Assembly Instructions

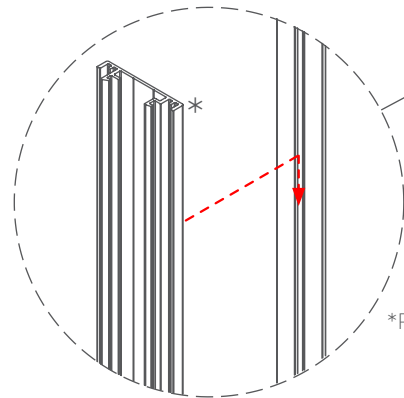
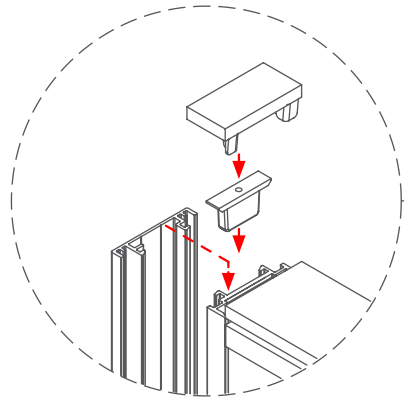
STEP 3:



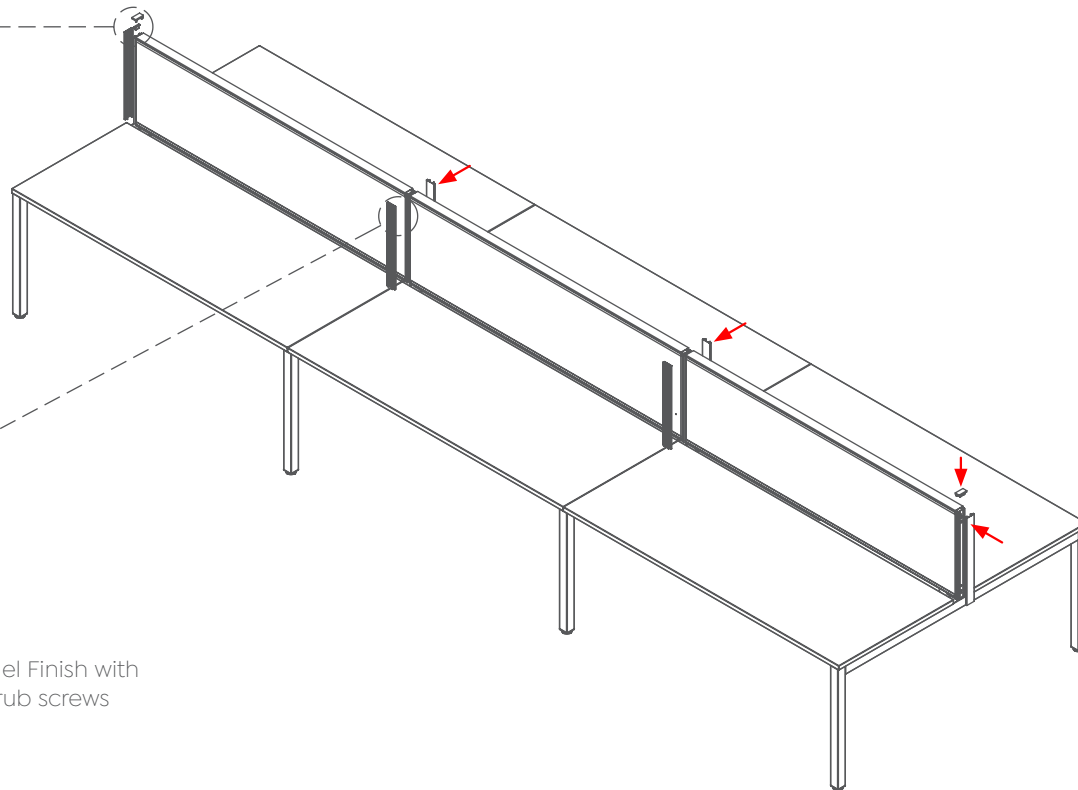
Optional Studio50 Desk Mounted Screen

Assembly Instructions

STEP 4:



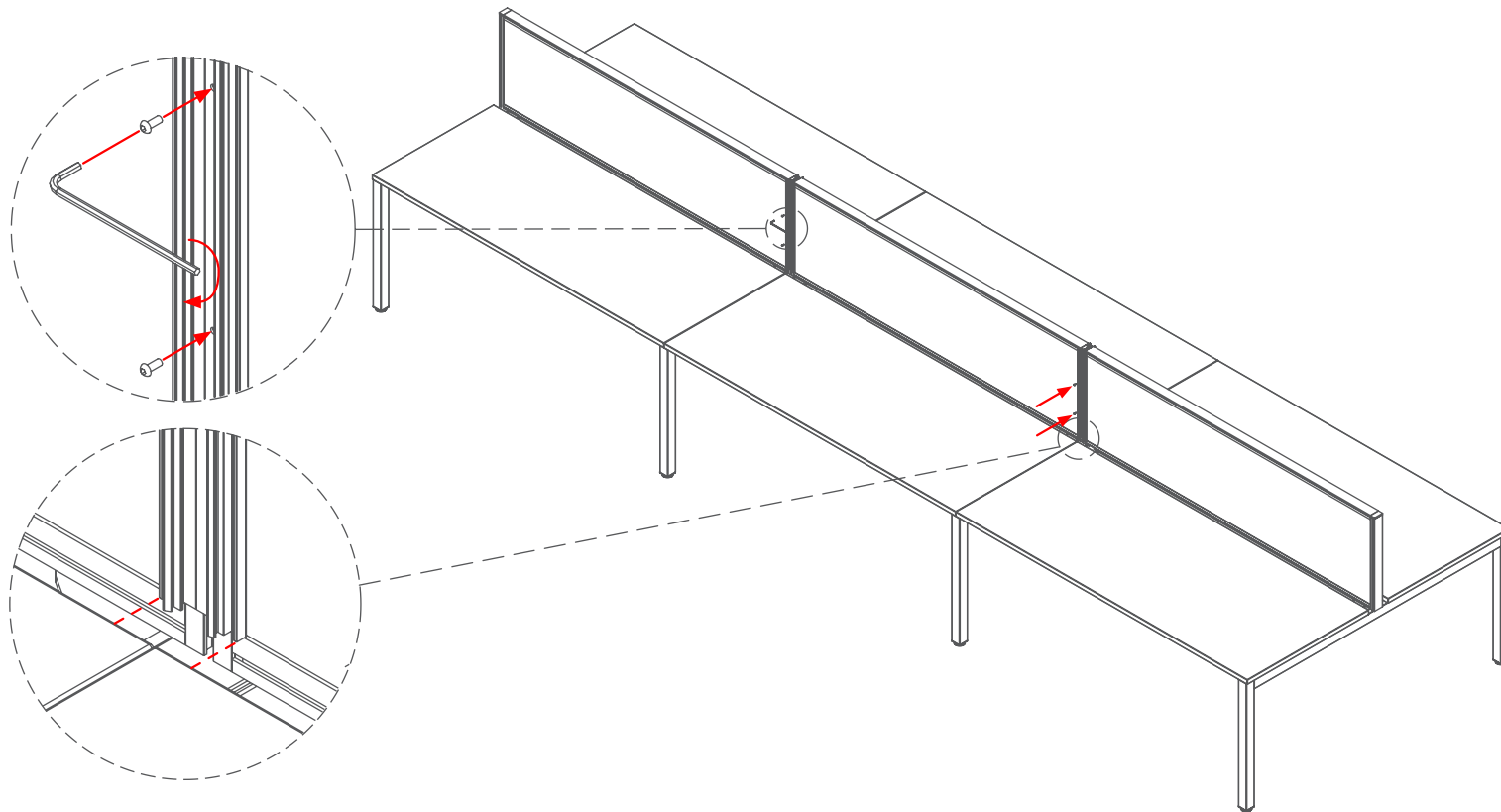
*Panel Finish with grub screws



Optional Studio50 Desk Mounted Screen

Assembly Instructions

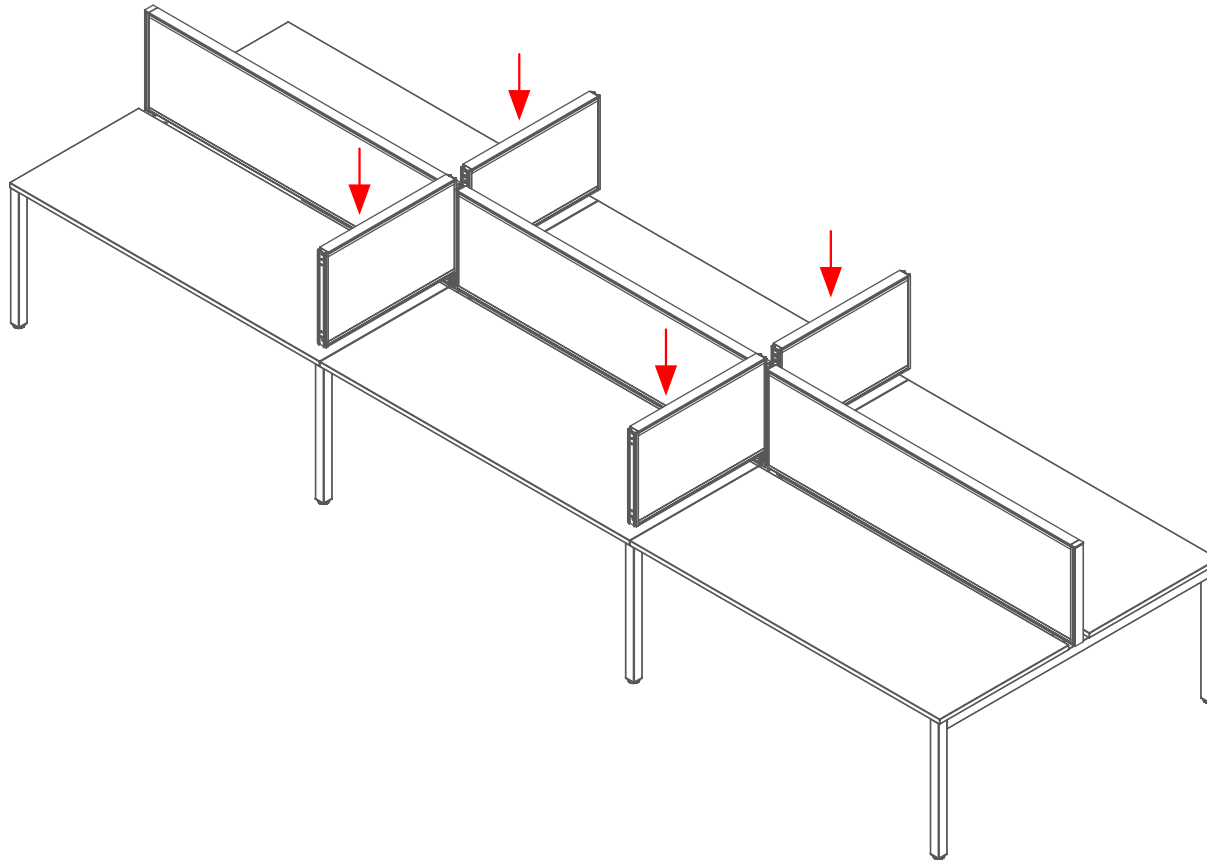
STEP 5:



Optional Studio50 Desk Mounted Screen

Assembly Instructions

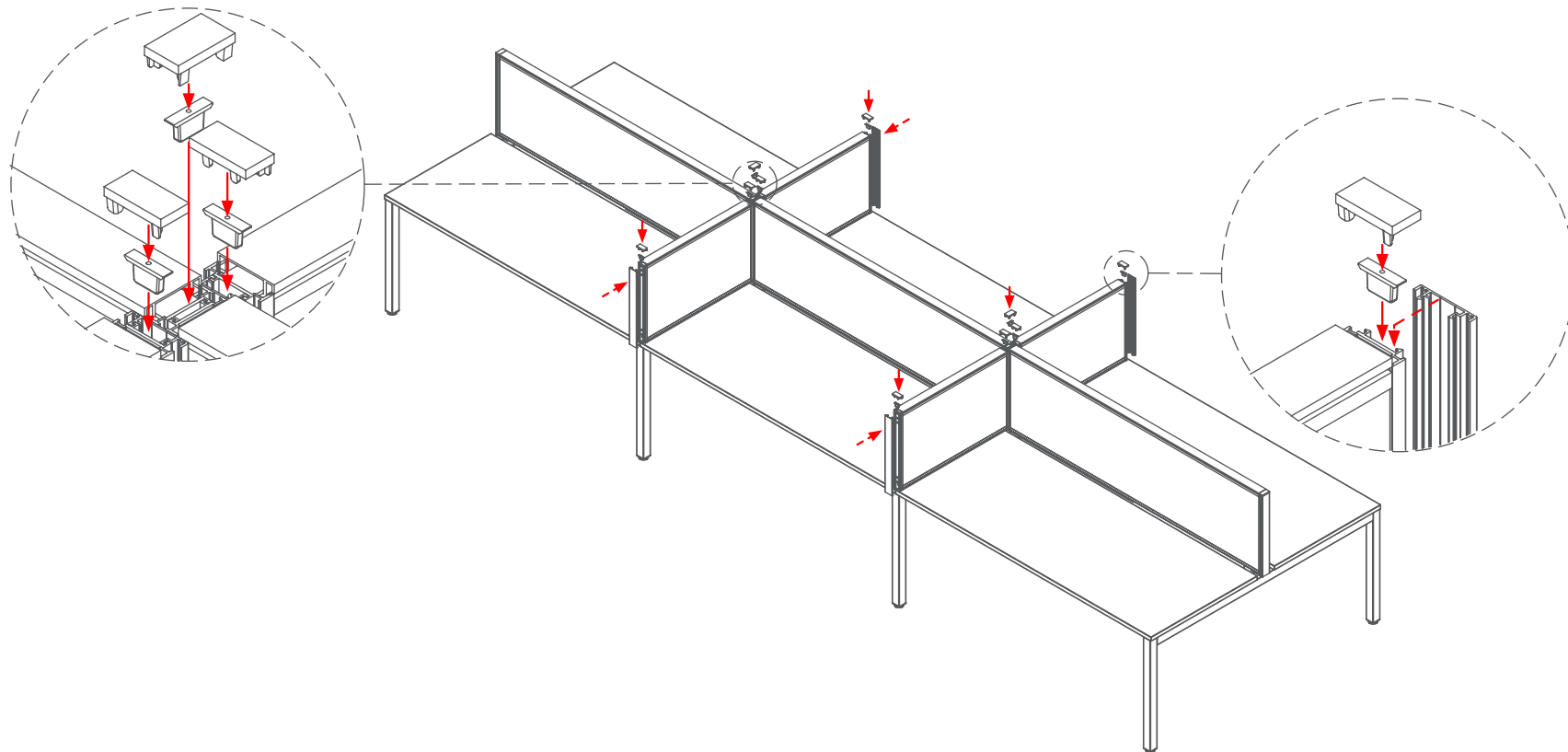
STEP 6:



Optional Studio50 Desk Mounted Screen

Assembly Instructions

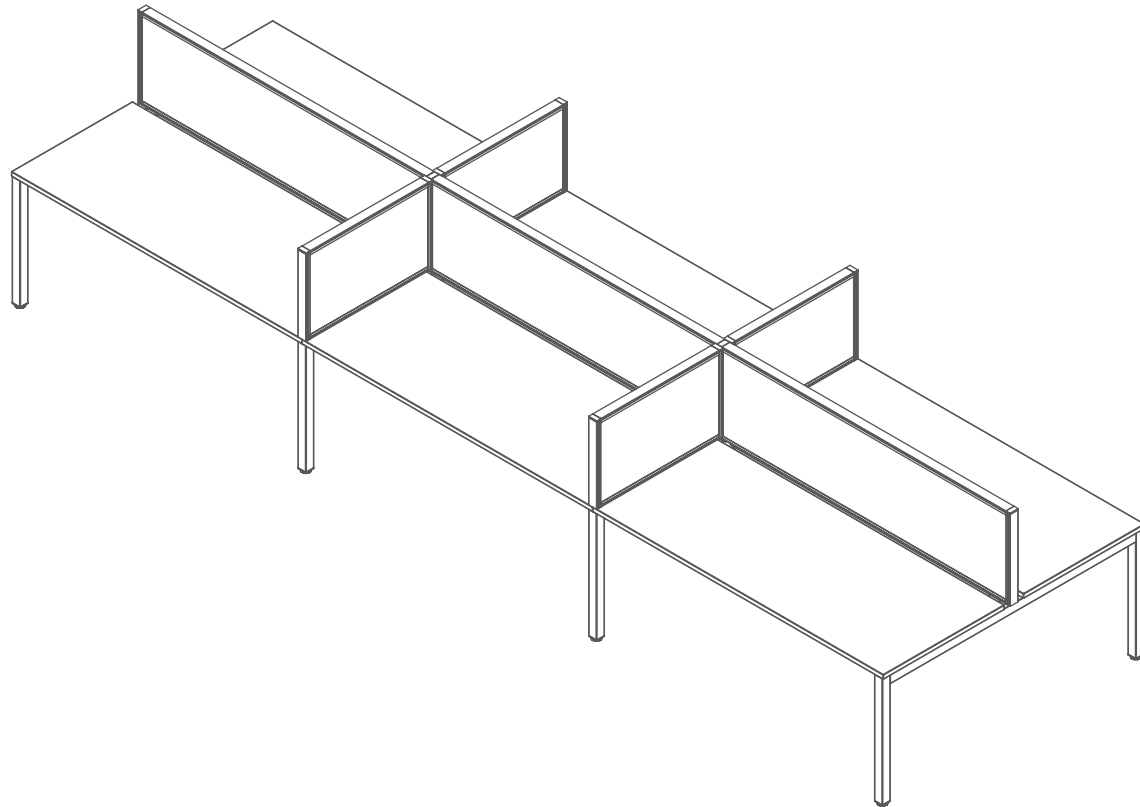
STEP 7:



Optional Studio50 Desk Mounted Screen

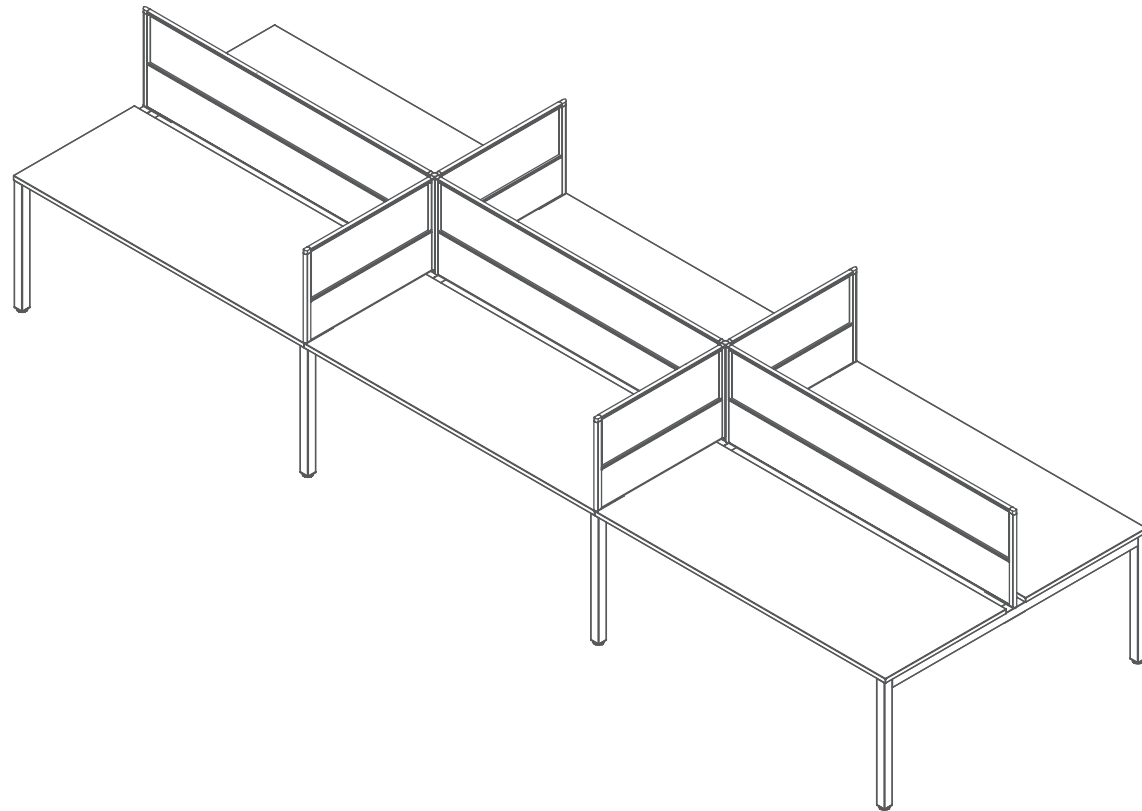
Assembly Instructions

Complete:



Optional 22mm Split Desk Mounted Screen

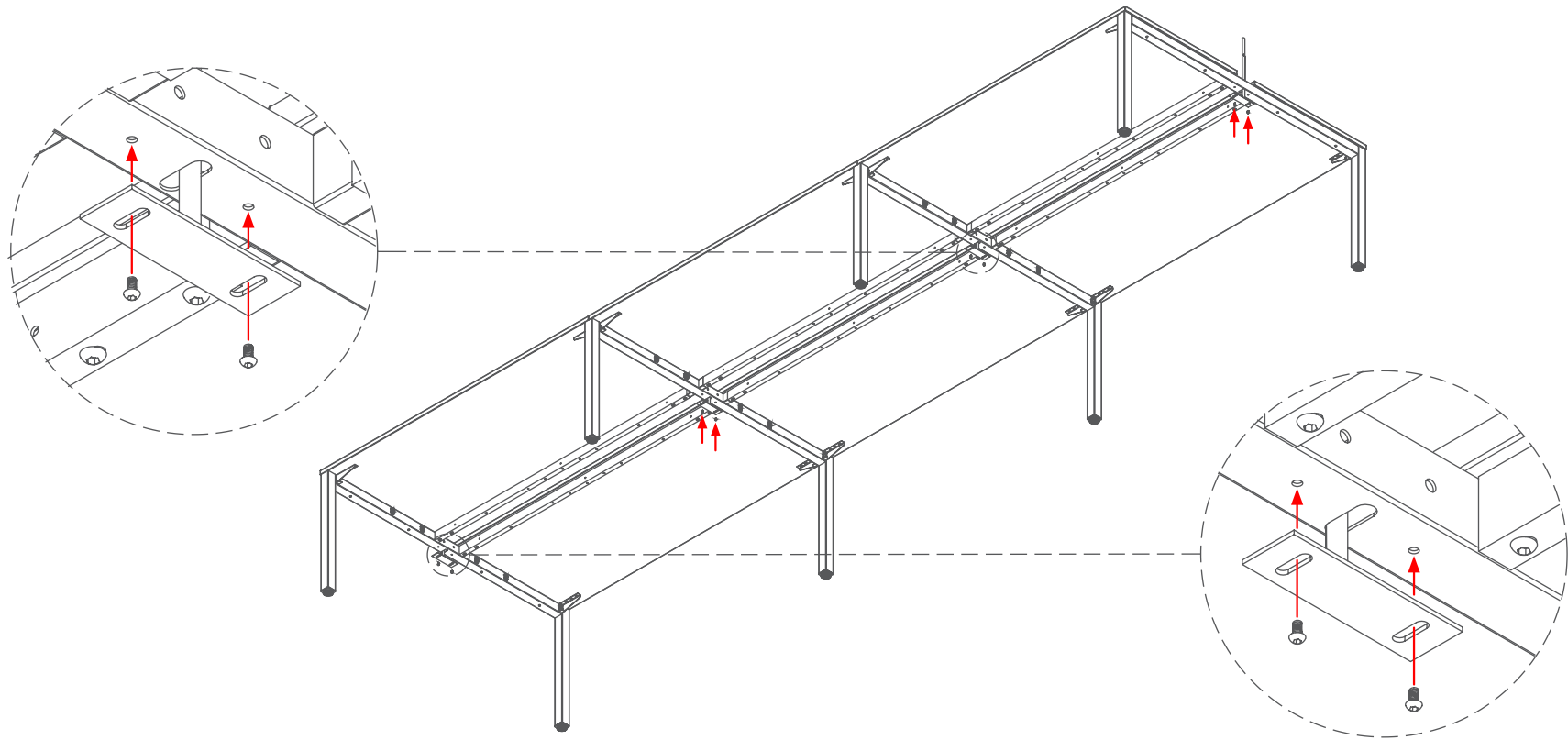
Assembly Instructions



Optional 22mm Split Desk Mounted Screen

Assembly Instructions

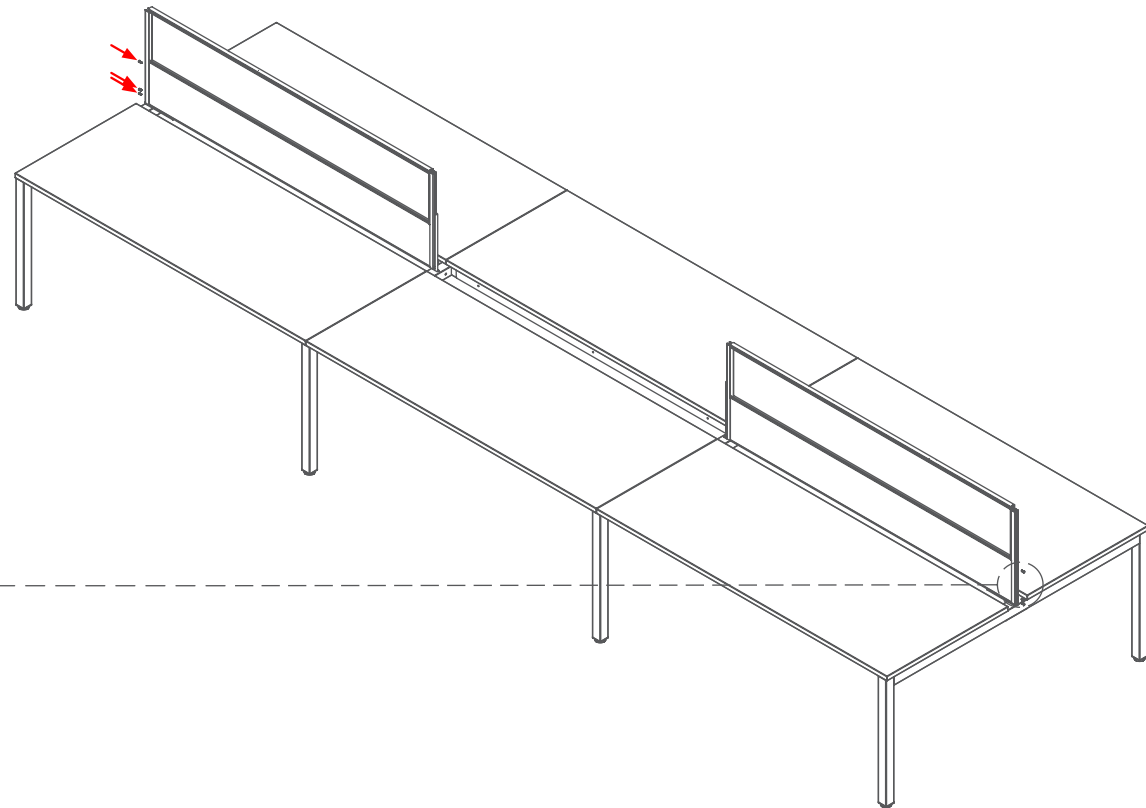
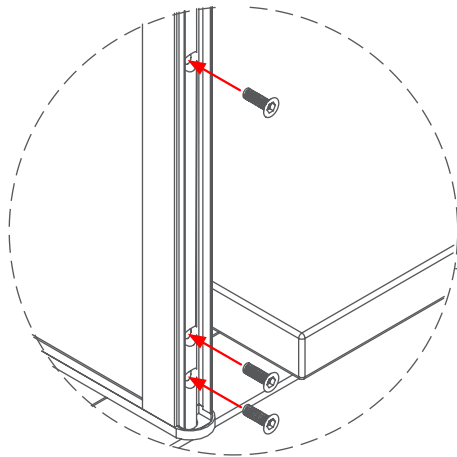
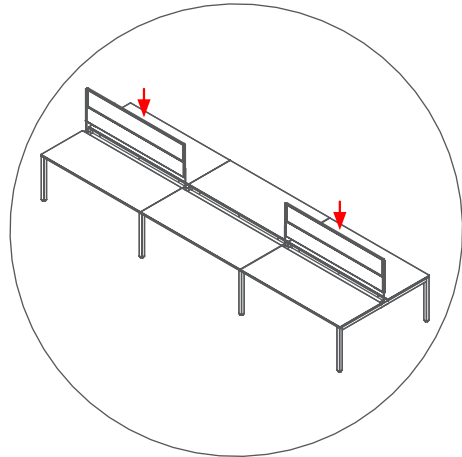
STEP 1:



Optional 22mm Split Desk Mounted Screen

Assembly Instructions

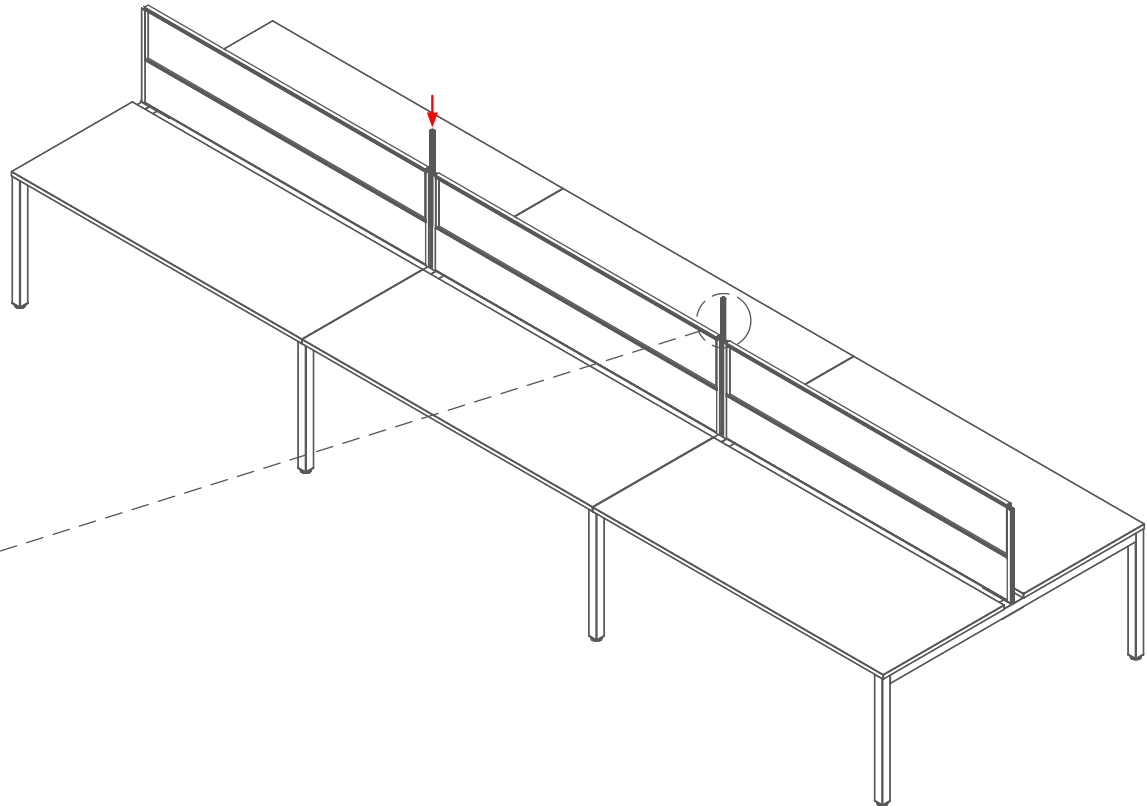
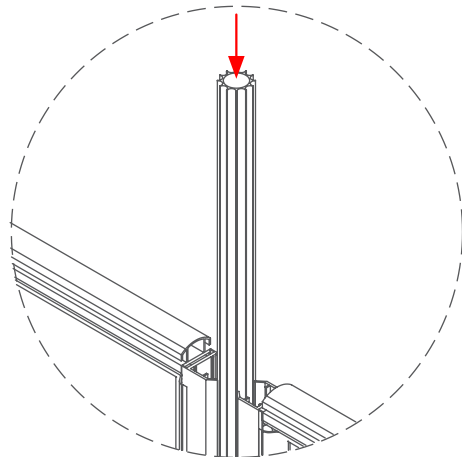
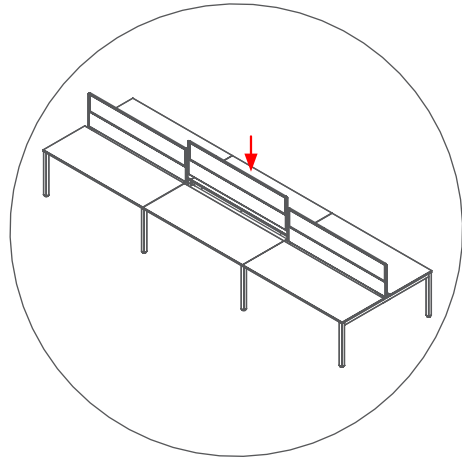
STEP 2:



Optional 22mm Split Desk Mounted Screen

Assembly Instructions

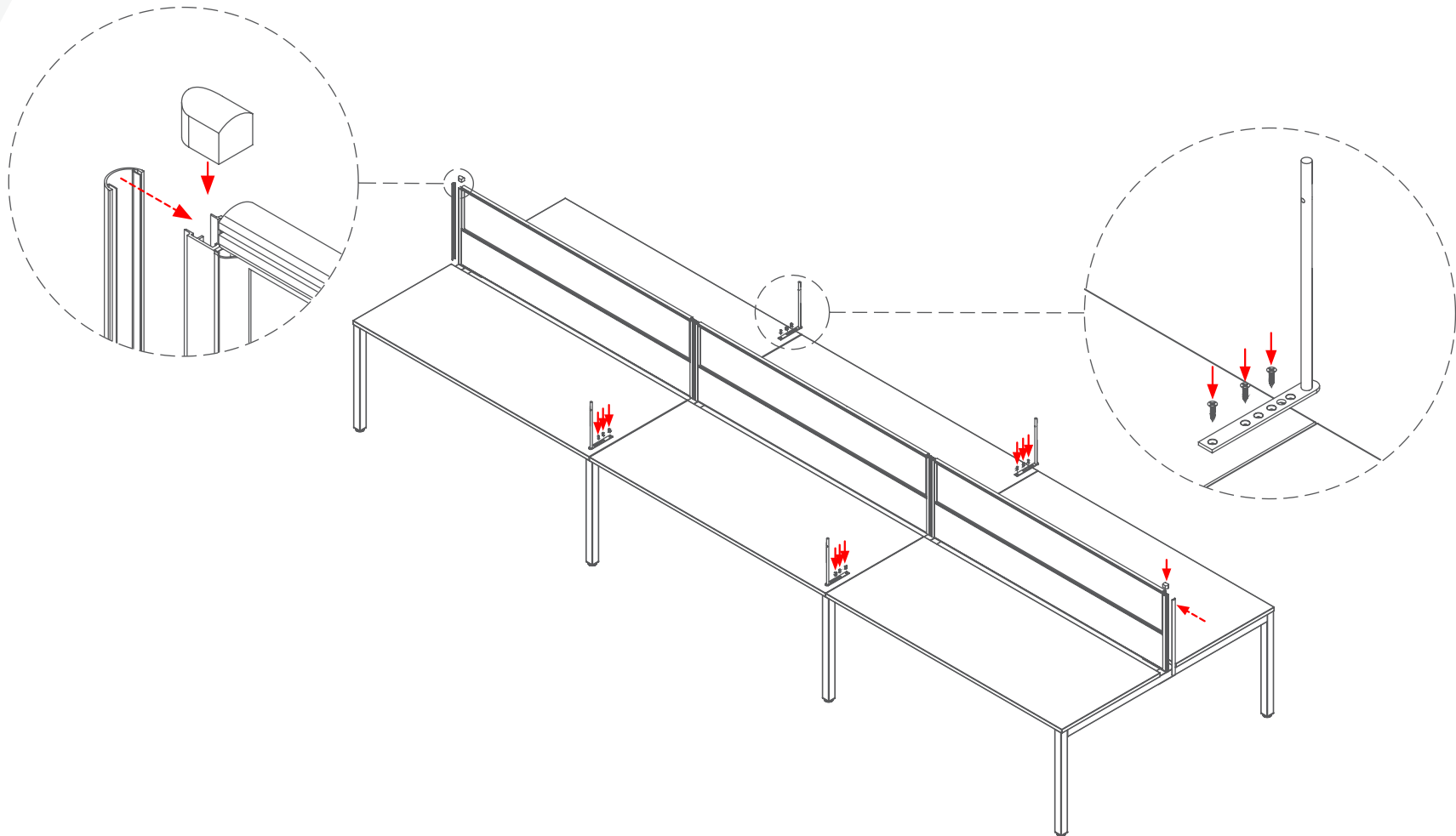
STEP 3:



Optional 22mm Split Desk Mounted Screen

Assembly Instructions

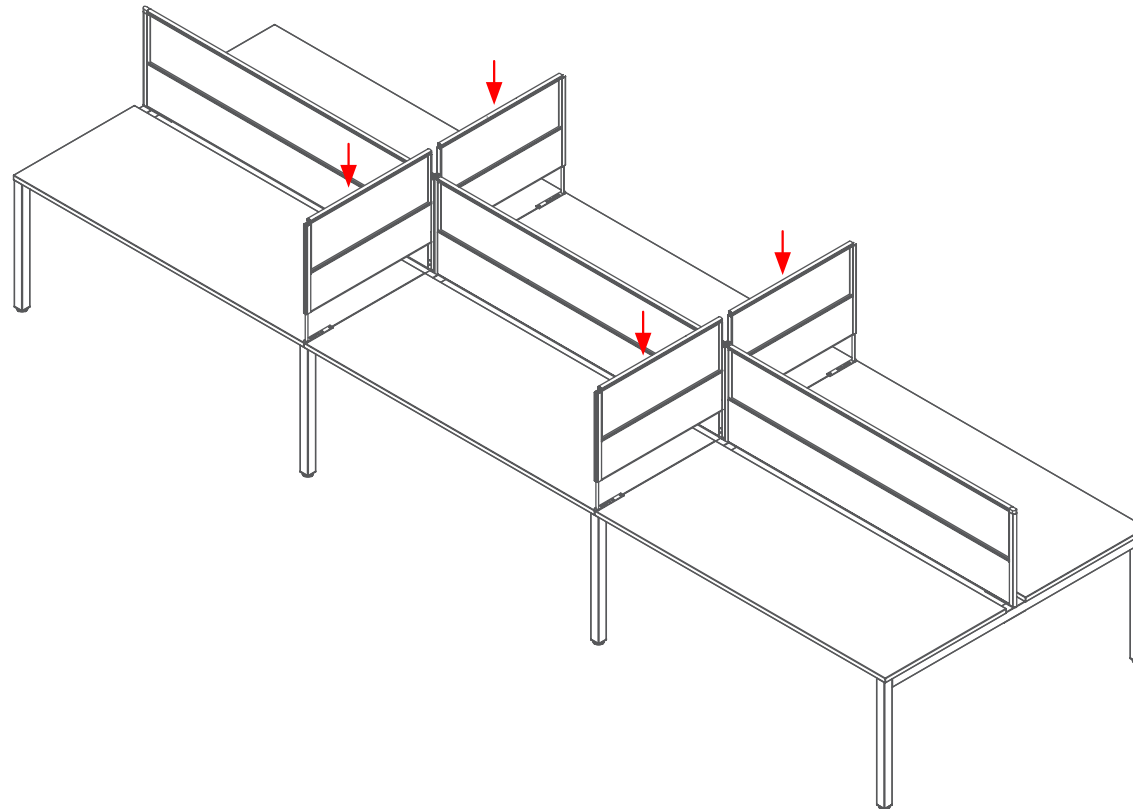
STEP 4:



Optional 22mm Split Desk Mounted Screen

Assembly Instructions

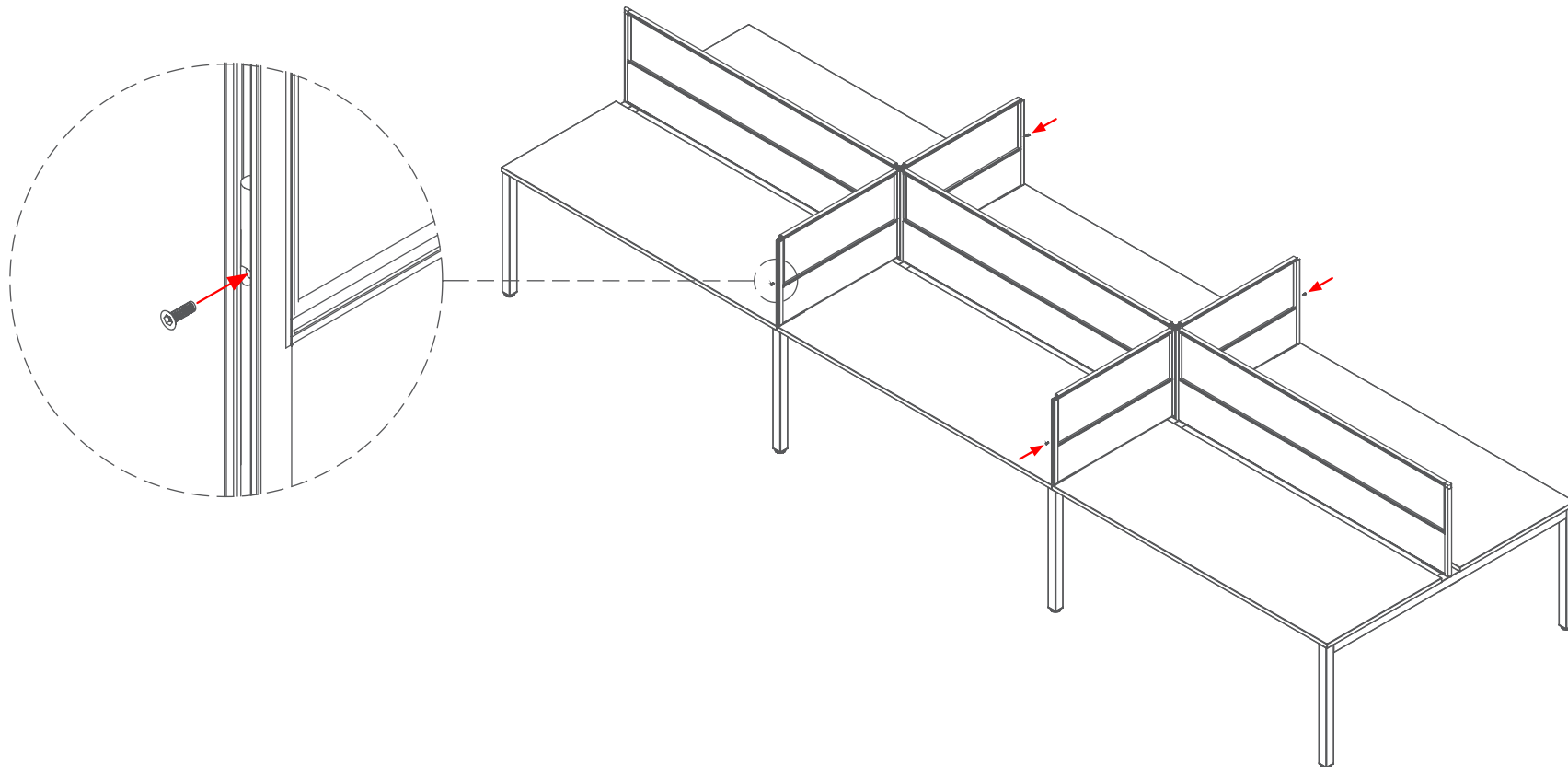
STEP 5:



Optional 22mm Split Desk Mounted Screen

Assembly Instructions

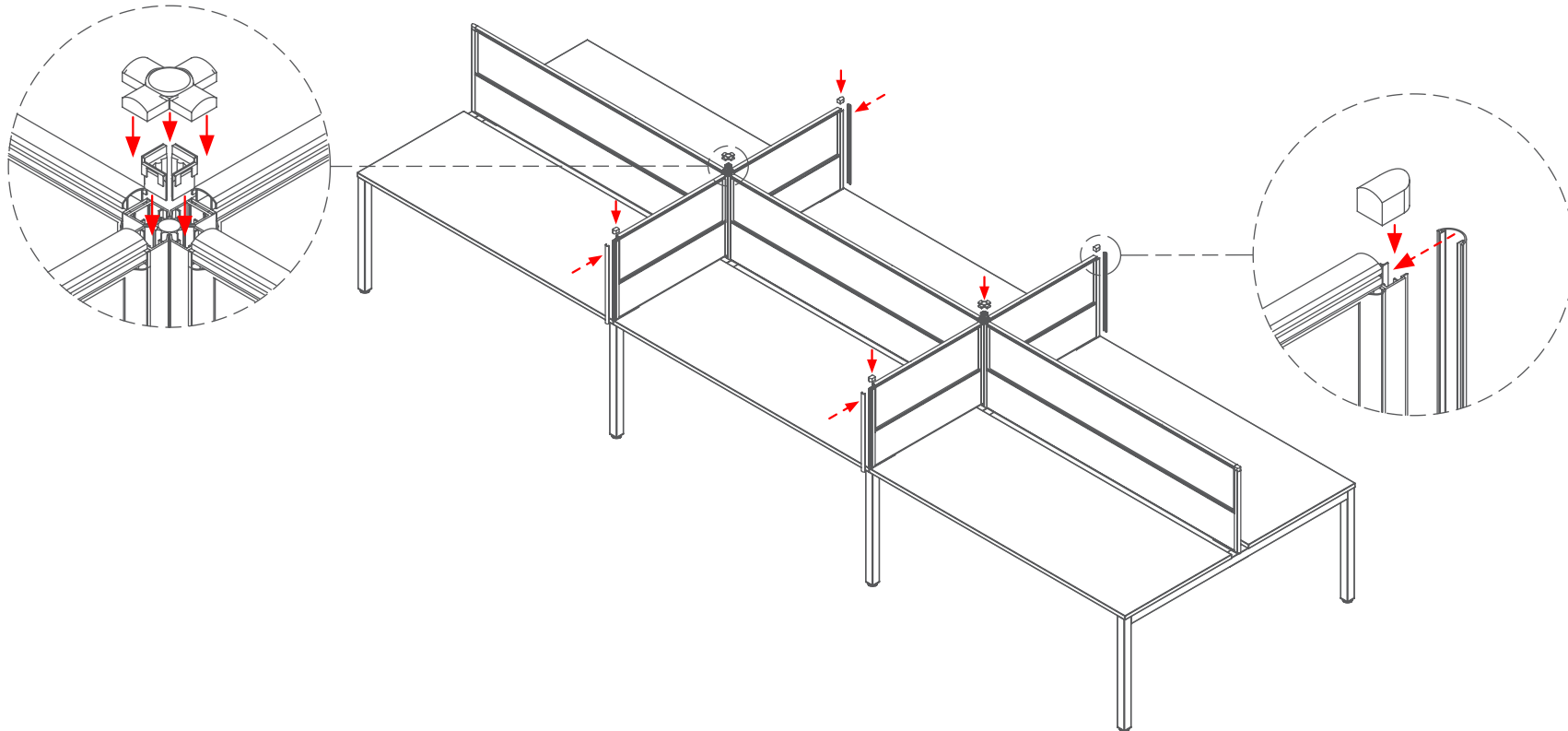
STEP 6:



Optional 22mm Split Desk Mounted Screen

Assembly Instructions

STEP 7:



Optional 22mm Split Desk Mounted Screen

Assembly Instructions

Complete:

