



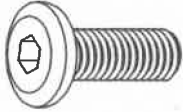
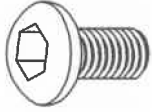
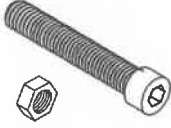



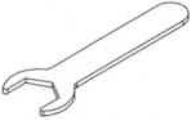
---

# AXIS HEIGHT ADJUSTABLE FLIP TABLE

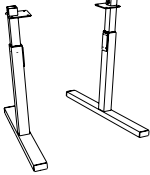
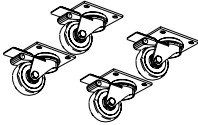

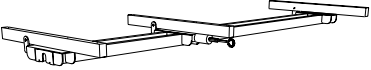


Assembly Instructions

# Axis Height Adjustable Flip Table

## Hardware List

<p><b>1</b></p>  <p>SCREW M8 x 16mm 25pcs</p>	<p><b>2</b></p>  <p>SCREW M6 x 8mm 9pcs</p>	<p><b>3</b></p>  <p>SCREW M10 x 50mm 3pcs</p>	<p><b>4</b></p>  <p>WASHER 6pcs</p>	<p><b>4</b></p>  <p>SCREW 5*60 9pcs</p>	
<p><b>5</b></p>  <p>PLASTIC WASHER 6pcs</p>	<p><b>6</b></p> <p>HEX KEY 5mm 1pc</p>	<p><b>7</b></p> <p>HEX KEY 4mm 1pc</p>	<p><b>8</b></p> <p>HEX KEY 2.5mm 1pc</p>	<p><b>9</b></p> <p>HEX KEY 8mm 1pc</p>	<p><b>10</b></p>  <p>WRENCH 1pc</p>

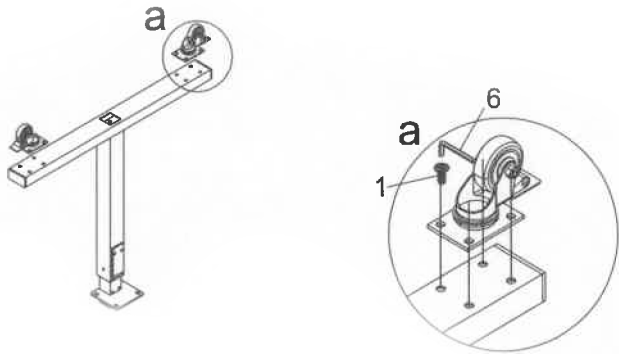
## Parts List

<p><b>1</b></p>  <p>2 x Legs</p>	<p><b>2</b></p>  <p>4 x Castors</p>	<p><b>3</b></p>  <p>Handle</p>
<p><b>4</b></p>  <p>Pre-assembled Rail</p>	<p><b>5</b></p>  <p>Rail</p>	<p><b>6</b></p>  <p>Drivebar</p>

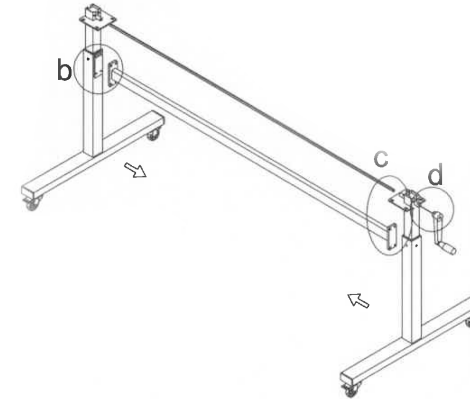
# Axis Height Adjustable Flip Table

Assembly Instructions

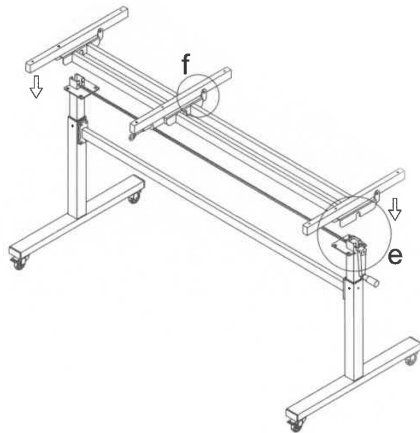
## STEP 1:



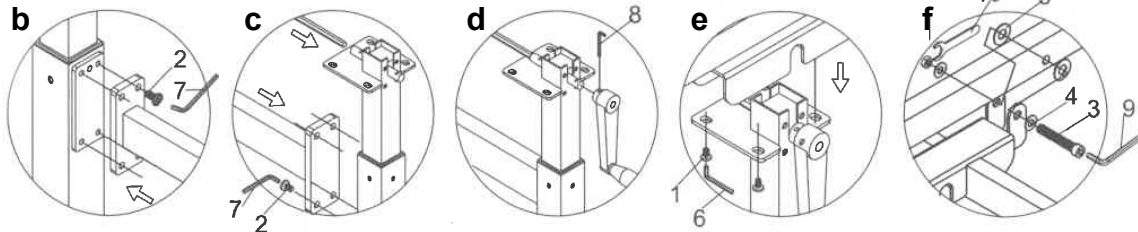
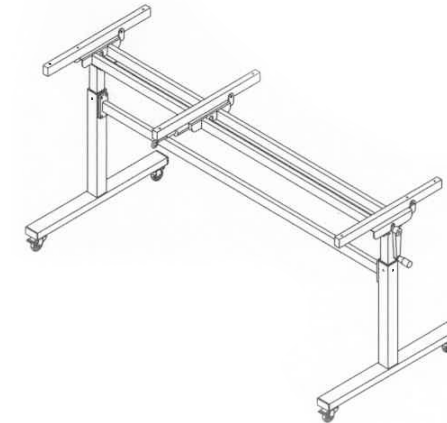
## STEP 2:



## STEP 3:



## COMPLETED ASSEMBLY:

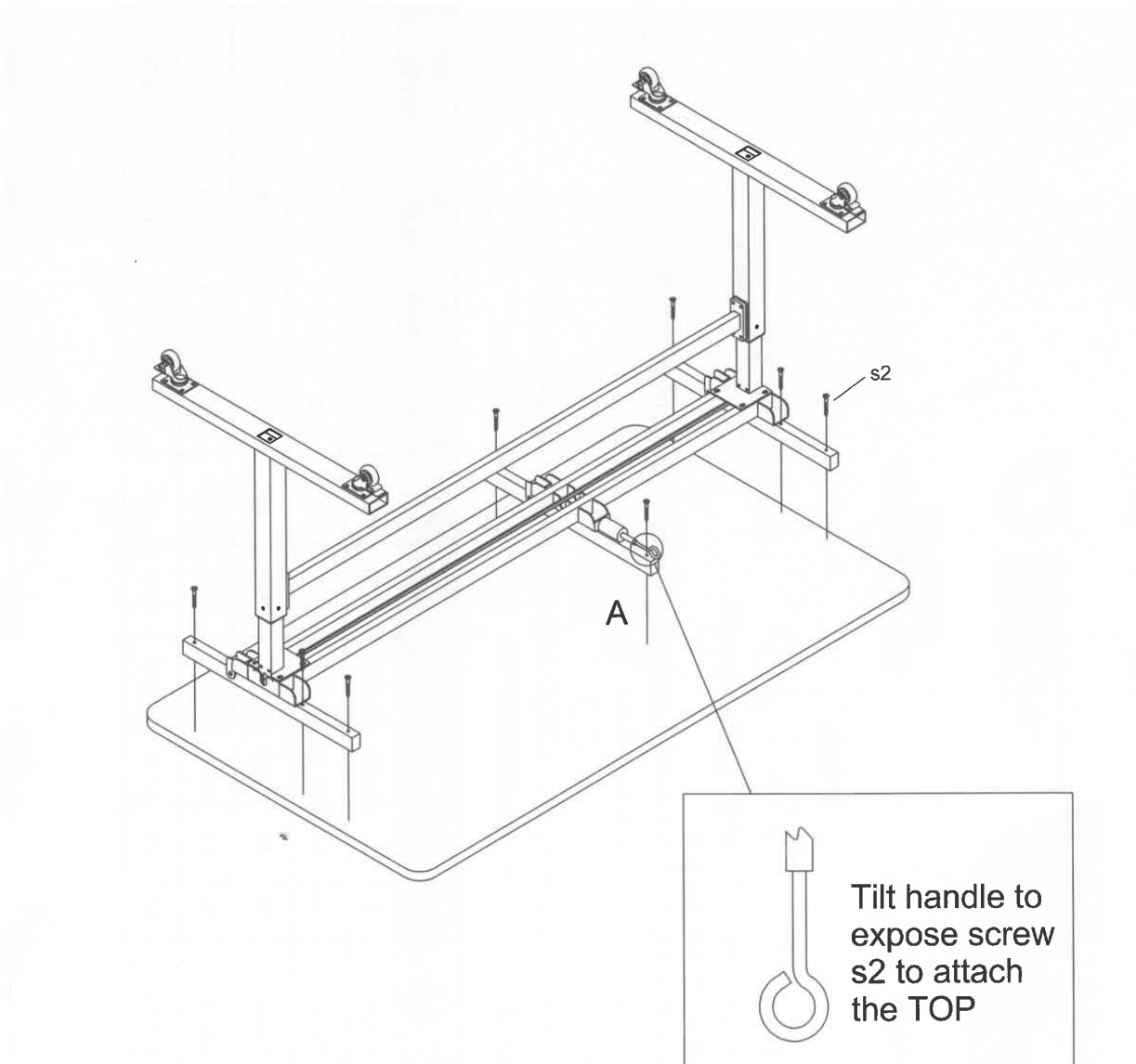


\* Do not tighten until the end

\* Do not tighten until the end

# Axis Height Adjustable Flip Table

## Assembly Instructions



# Axis Height Adjustable Flip Table

Assembly Instructions



You have now successfully completed the assembly.