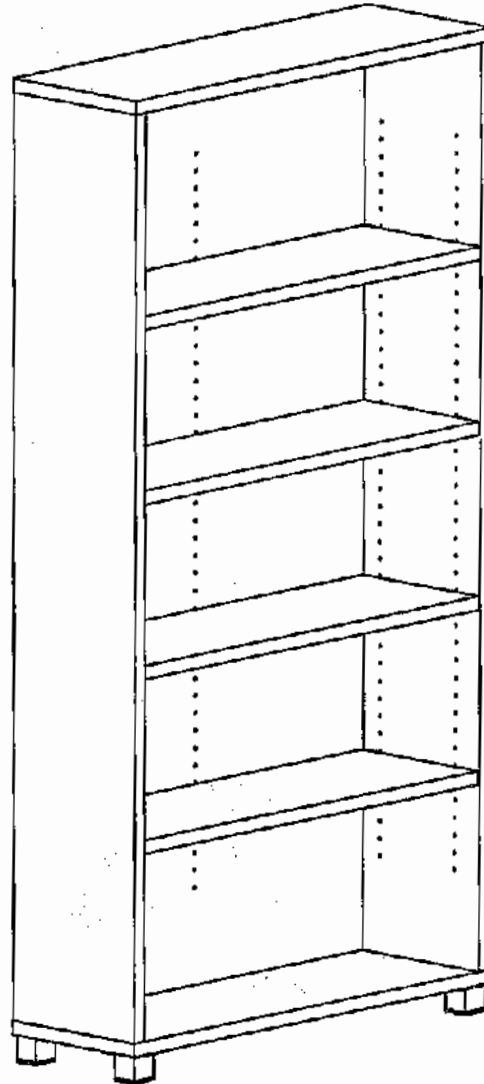


Bookcase

Installation Guide

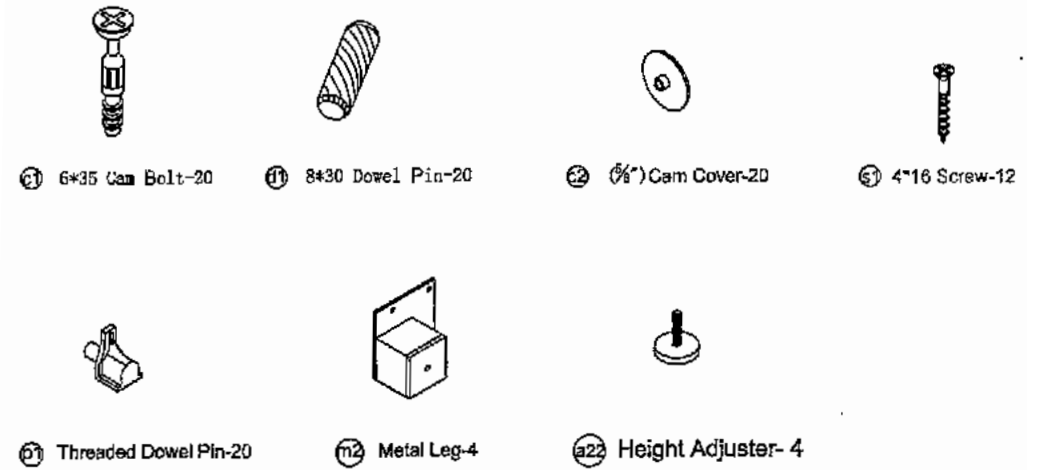
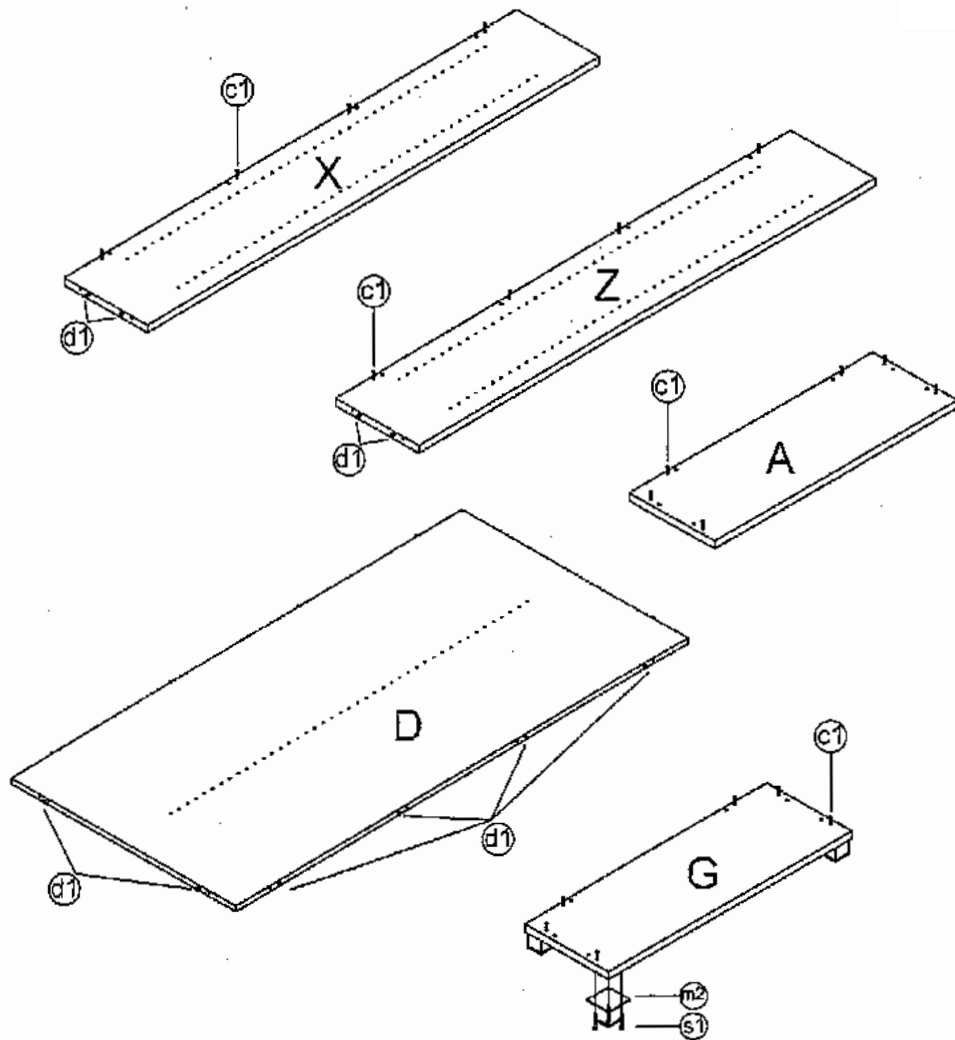
TOOLS REQUIRED: Powered screwdriver



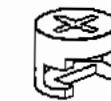
BOOKCASE

Installation Guide

PARTS



Pre-installed parts

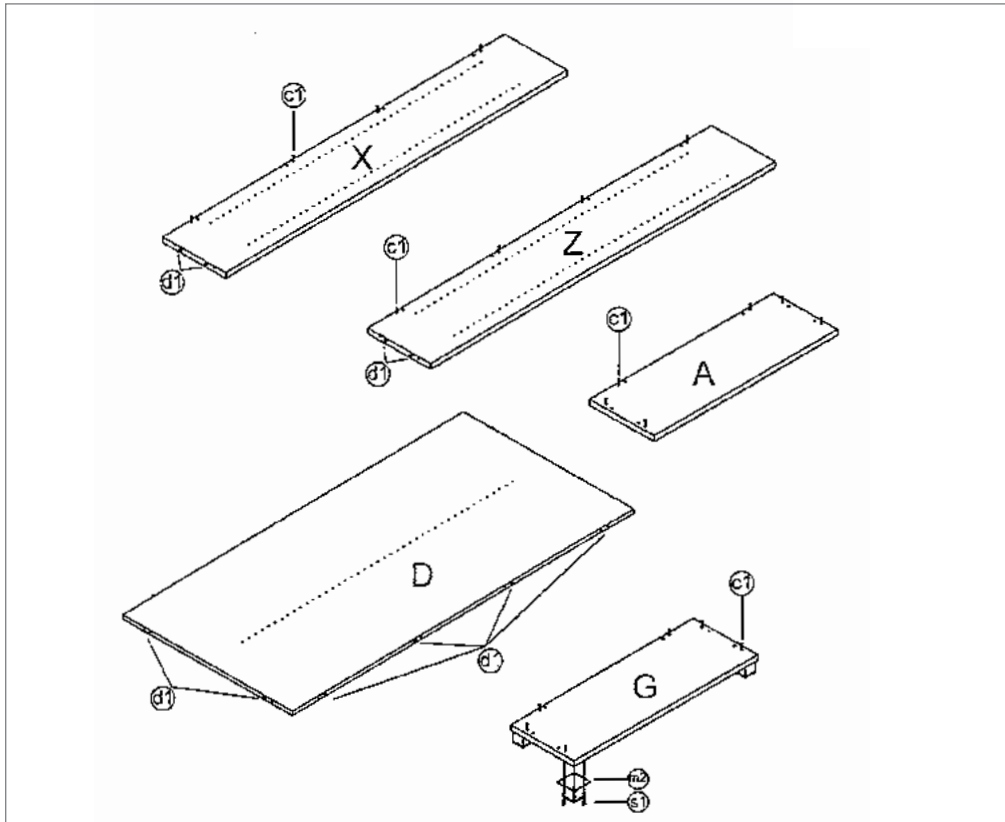
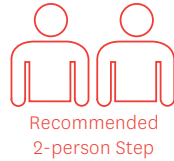


c5 Cam

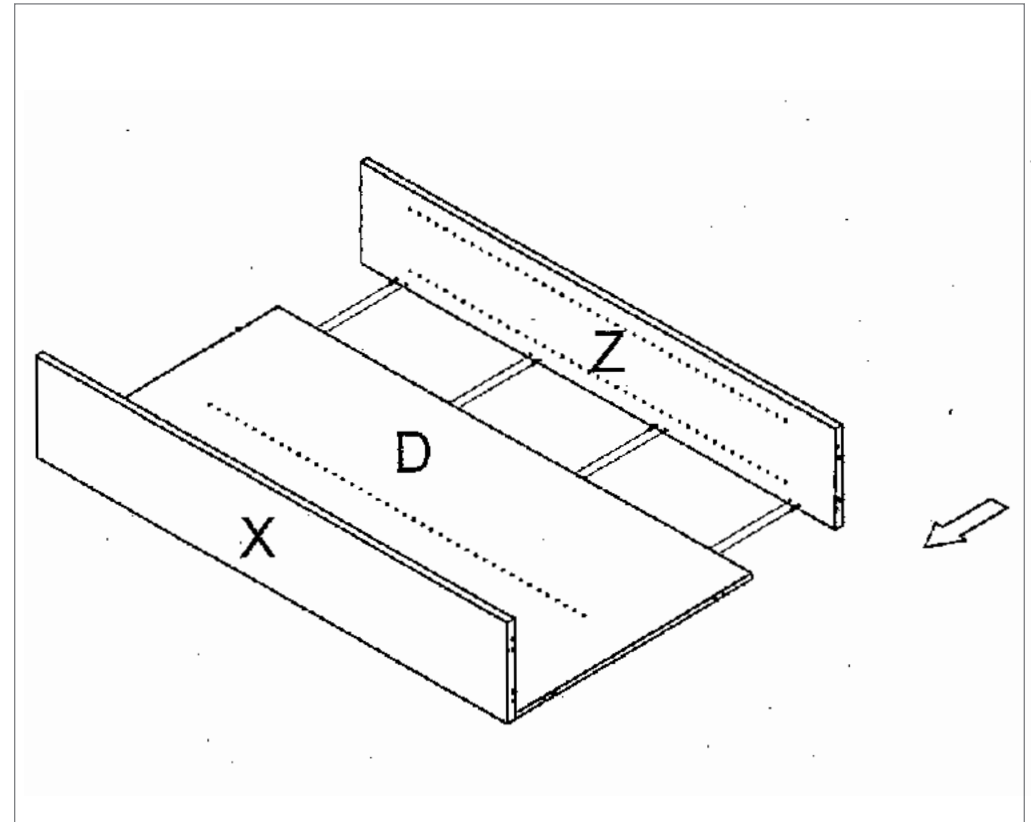
BOOKCASE

Installation Guide

* To prevent possible scratches or damage, assemble the bookcase on a soft surface such as a blanket, carpet or packaging.



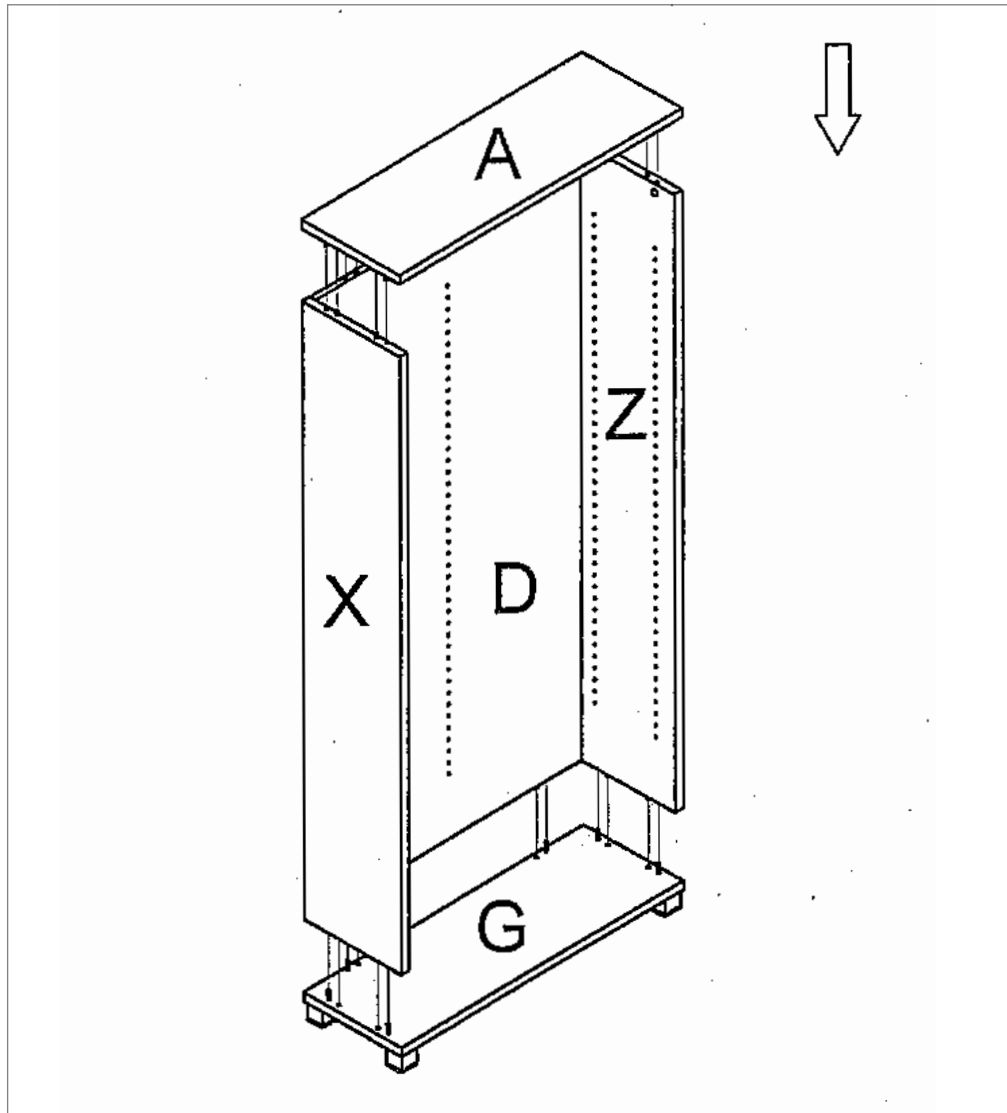
STEP 1: Insert cam bolt (c1) and dowel pins (d1) into panels A, D, G, X and Z as illustrated above, and assemble metal legs (m2) with screws (s1) on bottom panel G.



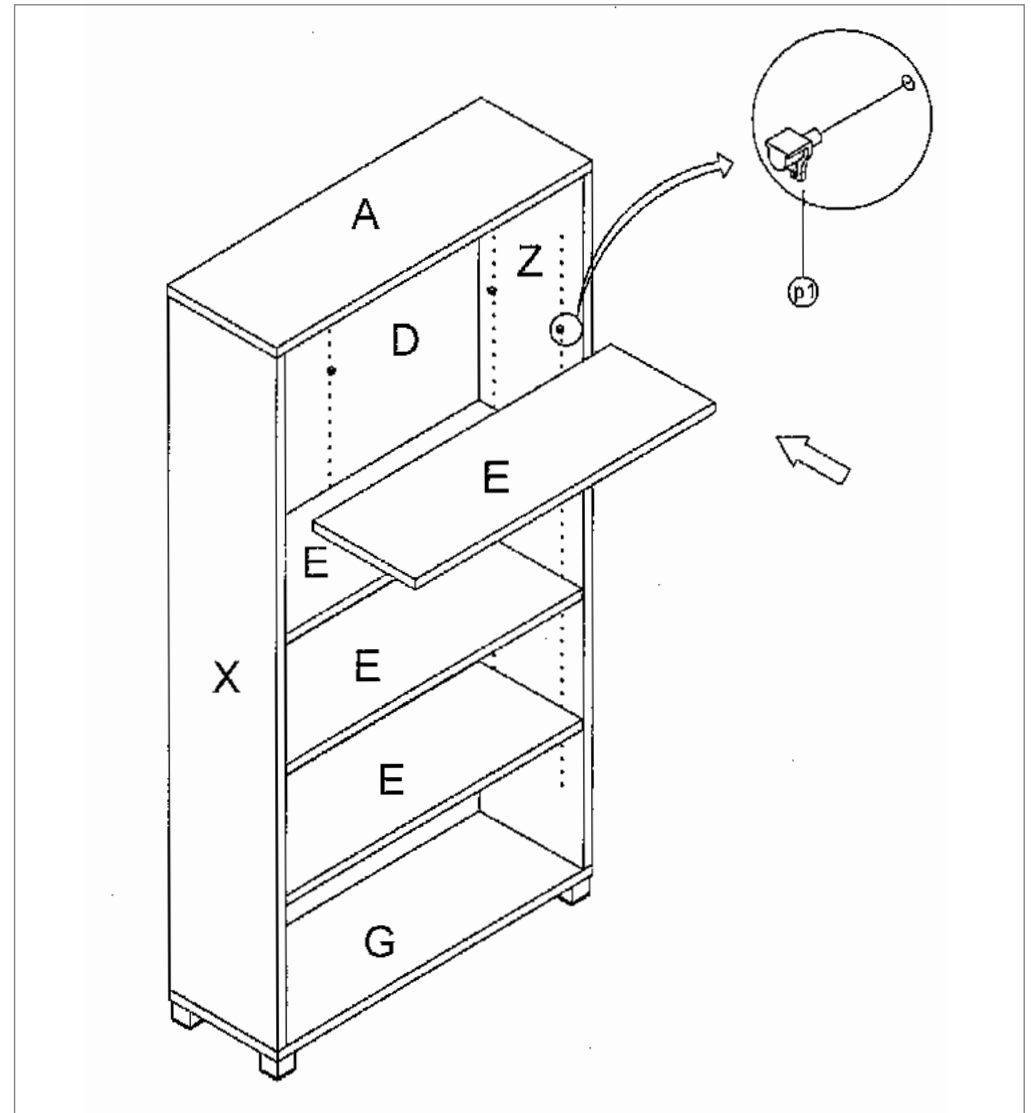
STEP 2: Insert cam bolts (c1) and dowel pins (d1) on panel X and Z into cams on panel D and tighten in a clockwise direction as illustrated above.

BOOKCASE

Installation Guide



STEP 3: Insert cam bolts (c1) and dowel pins (d1) on panel G and A into cams on panel X, Z and D, then cover the cam covers (c2) on the top of cams.



STEP 4: Insert threaded dowel pins (p1) into panels X and Z, then put the four panels E on the top of threaded dowel pins (p1) as illustrated above.