

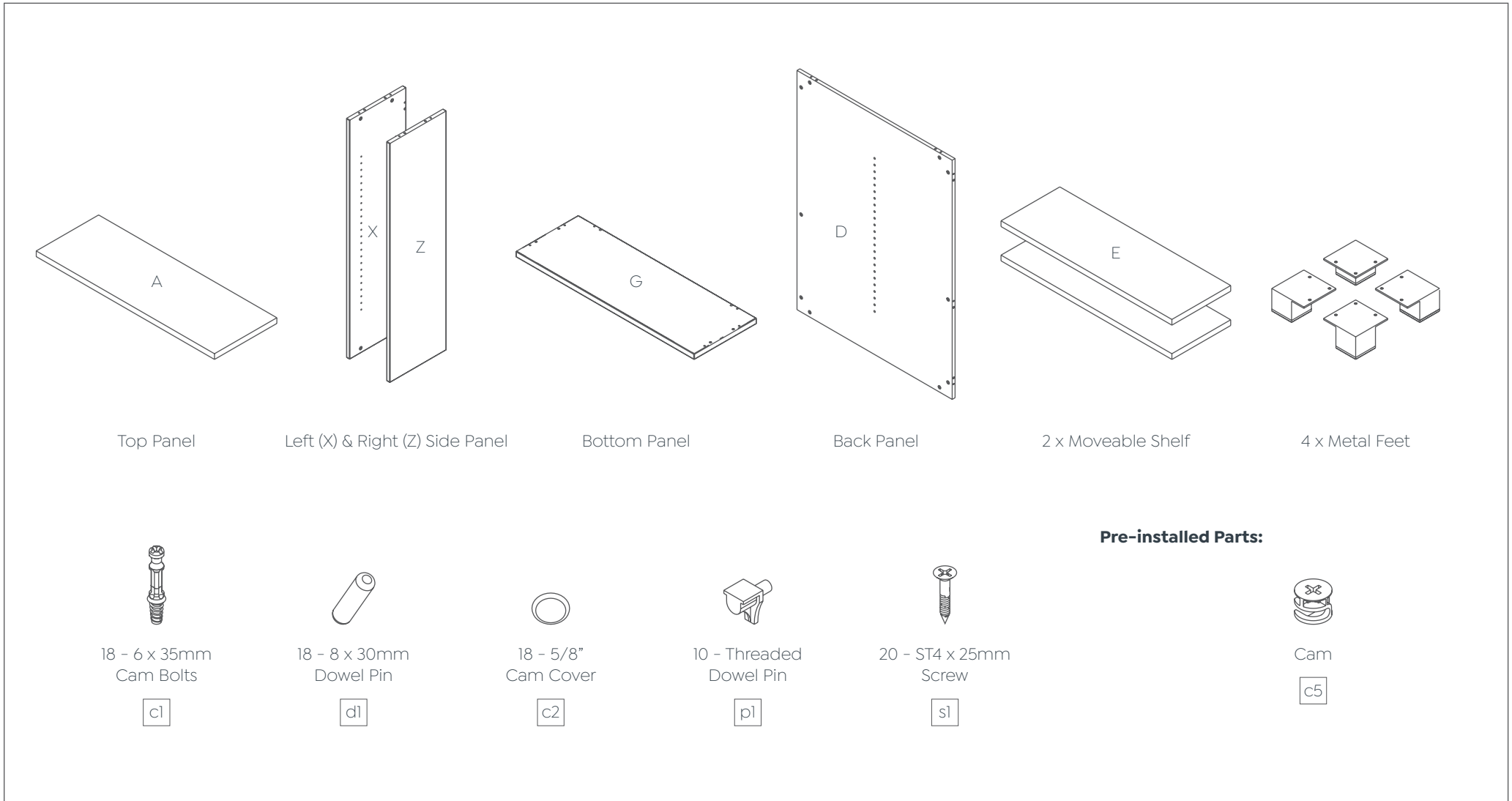
---

## Axis Bookshelf Three Levels ( 2 x adjustable shelves)

Assembly Instructions

# Axis Bookshelf Three Levels

## Components List



## STEP 1:



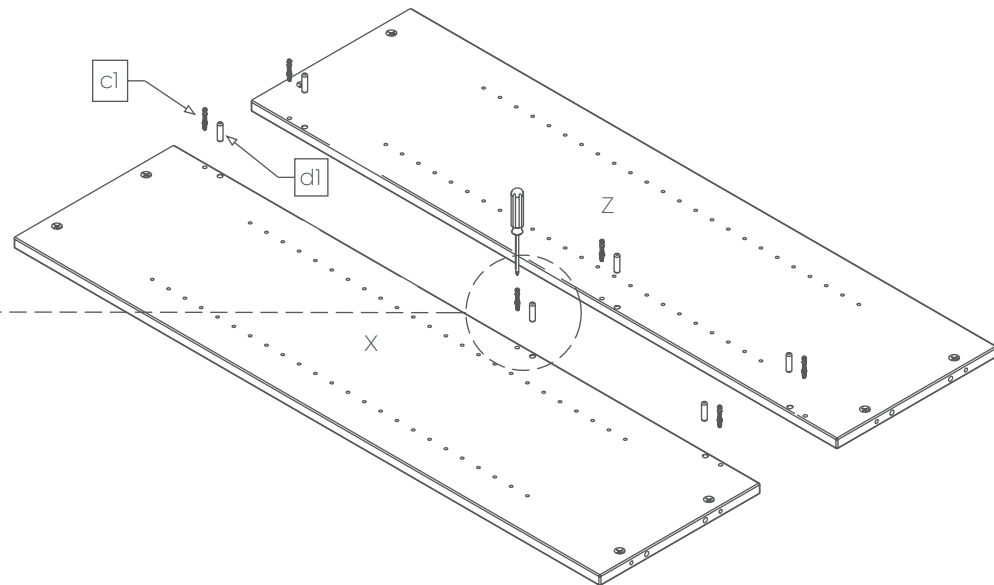
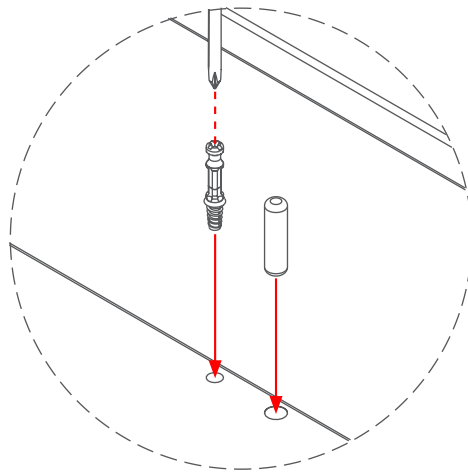
6 - 6 x 35mm  
Cam Bolts

cl



6 - 8 x 30mm  
Dowel Pin

dl



# Axis Bookshelf Three Levels

## Assembly Instructions

### STEP 2:



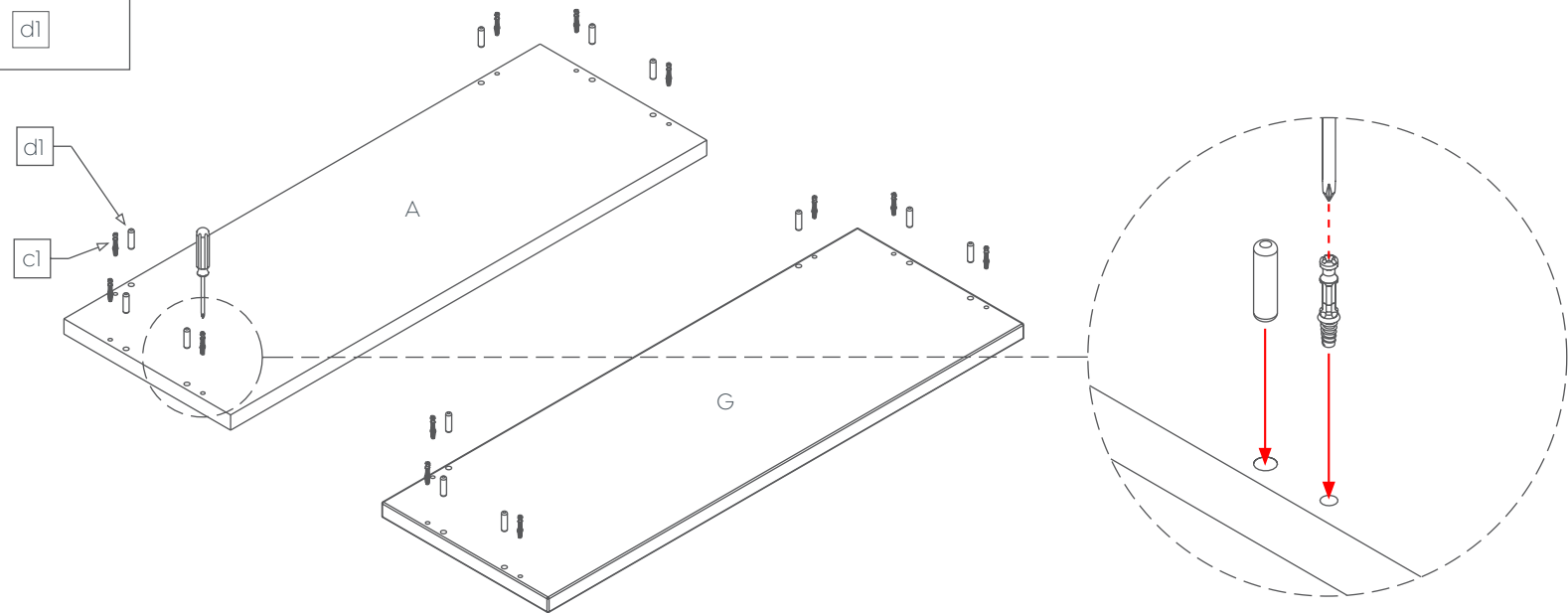
12 - 6 x 35mm  
Cam Bolts

cl



12 - 8 x 30mm  
Dowel Pin

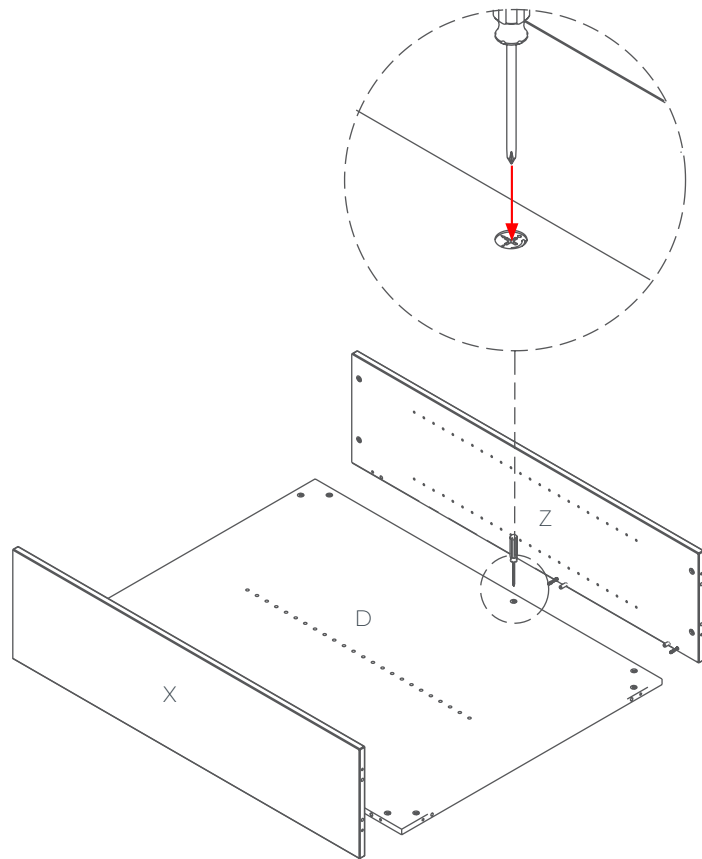
dl



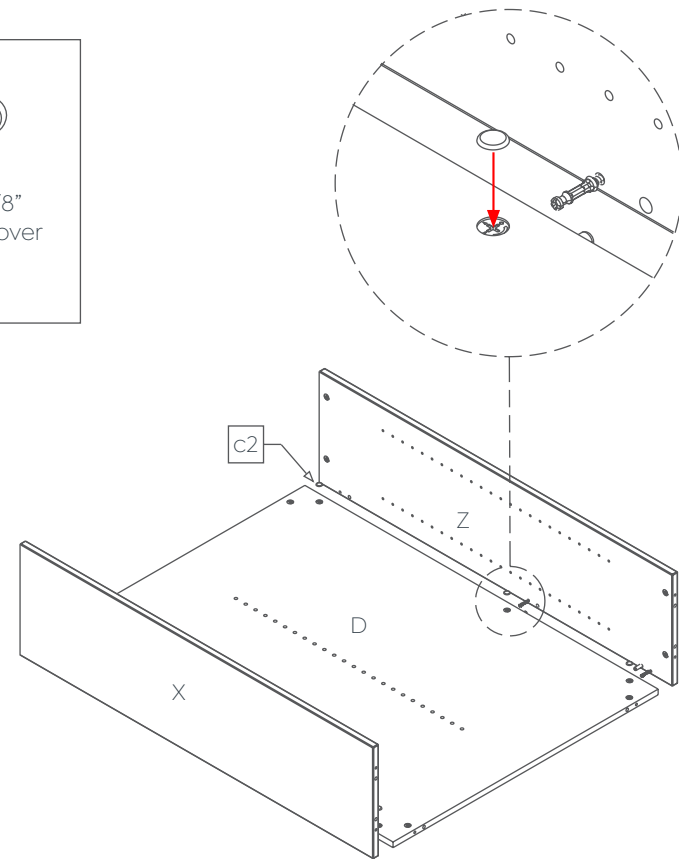
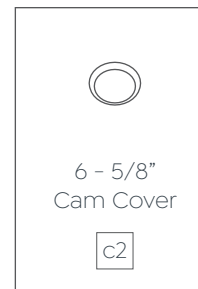
# Axis Bookshelf Three Levels

Assembly Instructions

## STEP 3:



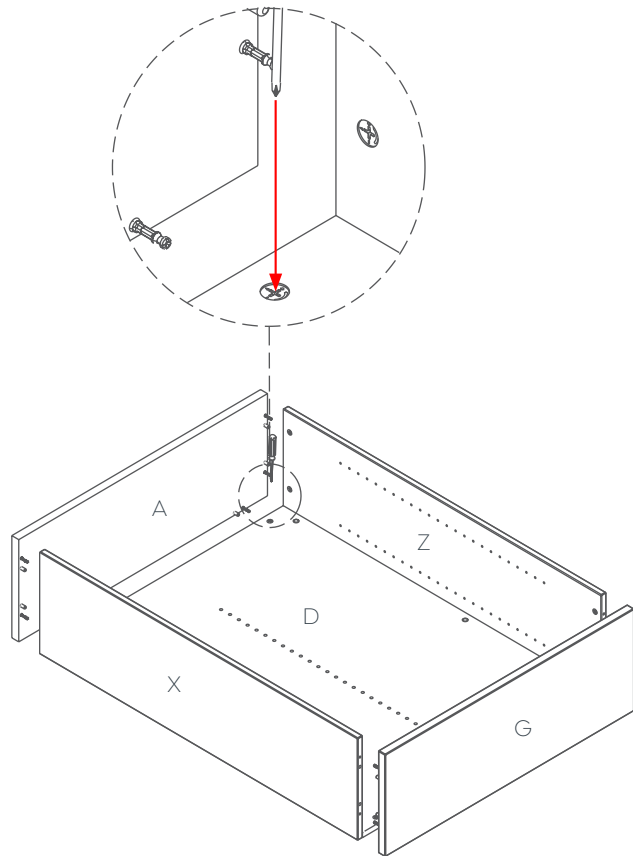
## STEP 3.1:



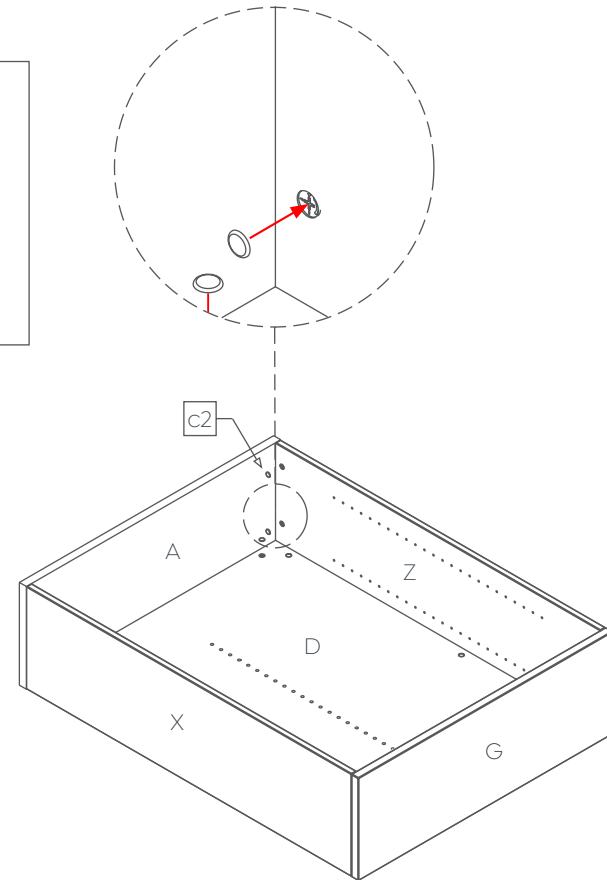
# Axis Bookshelf Three Levels

## Assembly Instructions

### STEP 4:



### STEP 4.1:

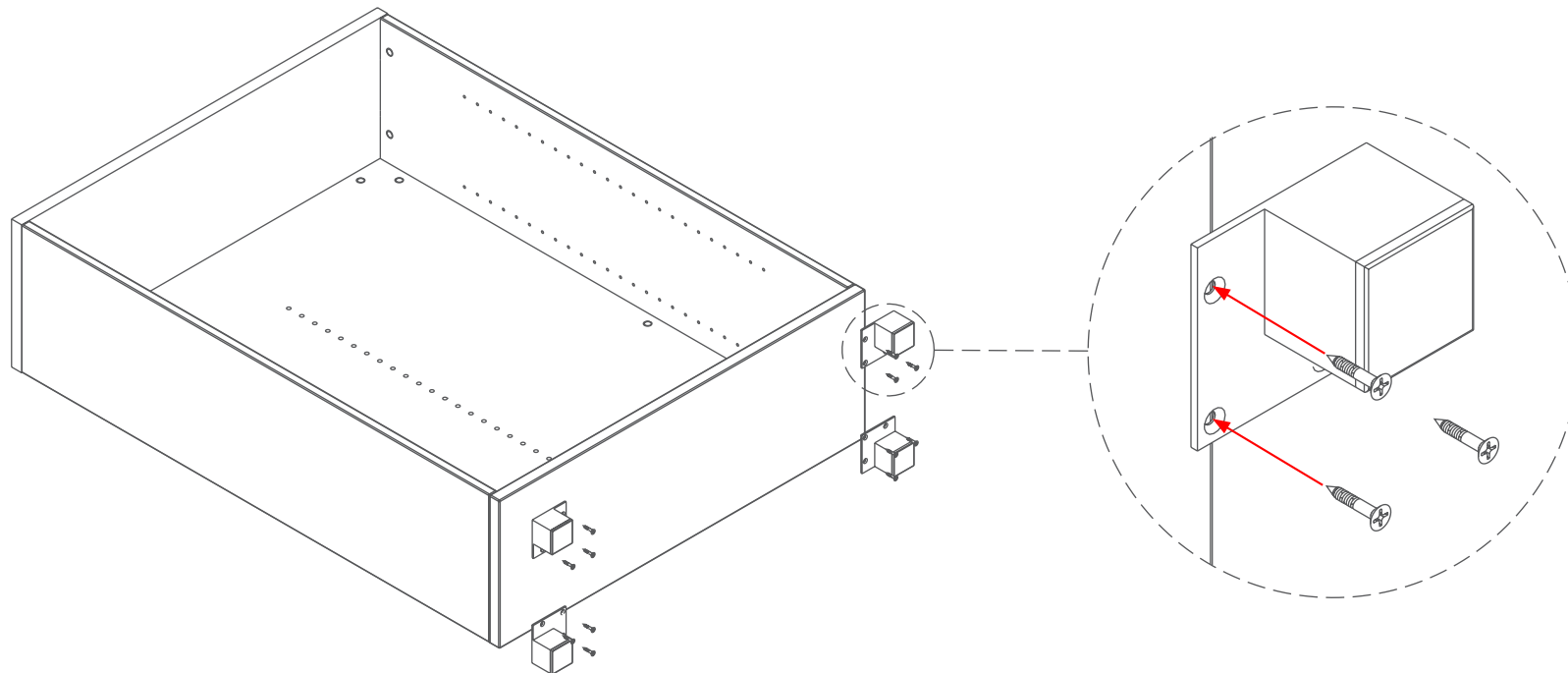


## STEP 5:



20 - ST4 x 25mm  
Screw

sl



# Axis Bookshelf Three Levels

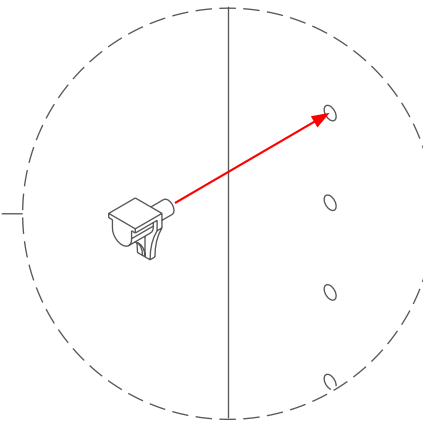
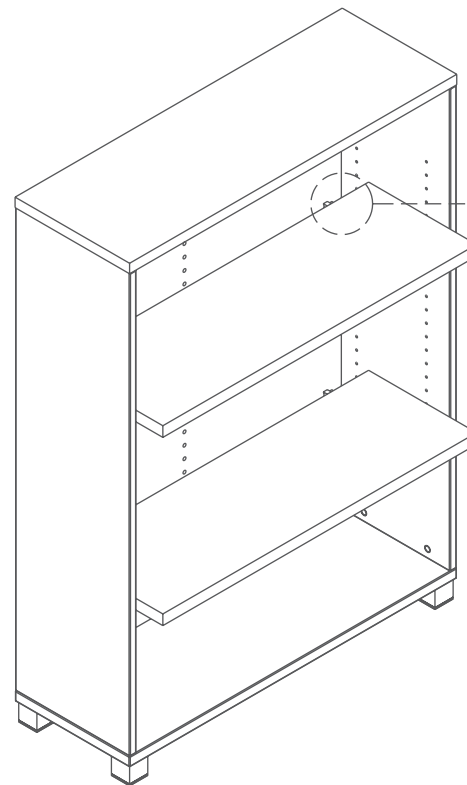
## Assembly Instructions

### STEP 6:



10 - Threaded  
Dowel Pin

pl





# Axis Bookshelf Three Levels

Assembly Instructions

**Complete:**

