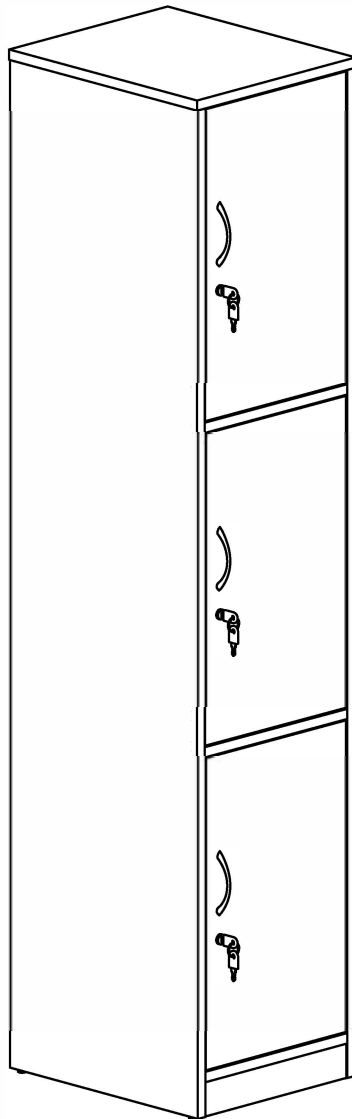
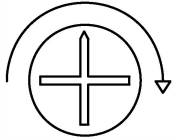


# ASSEMBLY INSTRUCTION

Axis Locker Single  
ITEM No.:AXLOC1



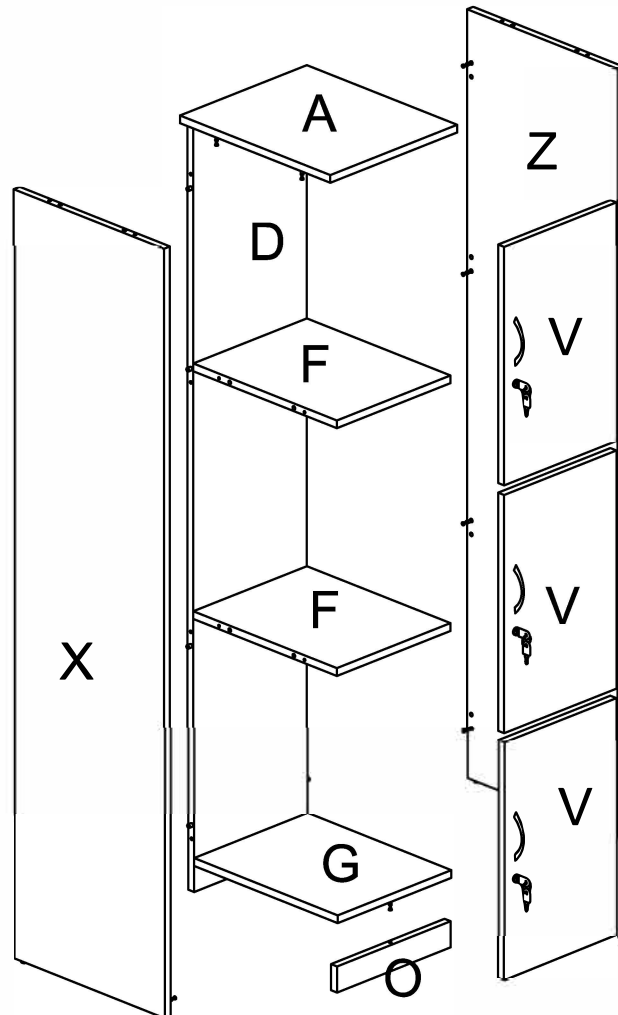
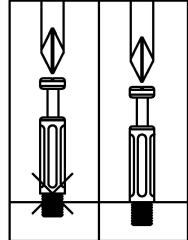


The turning direction of attaching



The arrow direction=front

Incorrect Correct



# PARTS LIST

ITEM	DESCRIPTION	QTY.	ITEM	DESCRIPTION	QTY.
A	Top panel	1	(c1)	6*35 Cam Bolt	29
X	Left side panel	1	(d1)	8*30 Dowel pin	28
Z	Right side panel	1	(c2)	( <sup>5</sup> / <sub>8</sub> " ) Cam Cover	29
D	Back panel	1	(S1)	4*16 Screw	30
G	Bottom panel	1	(S2)	3.5*20 Screw	12
F	Immovable panel	2	(k1)	Lock Catch	3
O	Batten	1	(k4)	Lock	3
V	Door panel	3	(h4)	Handle	3
			(s7)	4*22 Fix Bolt	6
			(g4)	Hinge Body	6
			(g1)	Hinge Stand	6



(c1) 6\*35 Cam Bolt-29



(d1) 8\*30 Dowel Pin-28



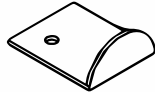
(e2) (3/8") Cam Cover-29



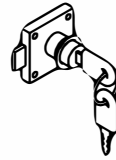
(s1) 4\*16 Screw-30



(s2) 3.5\*20 Screw-12



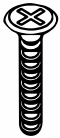
(k1) Lock Catch-3



(k4) Lock-3



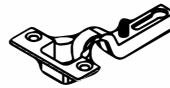
(h4) Handle-3



(s7) 4\*22 Fix Bolt-6

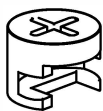


(q1) Hinge Stand-6



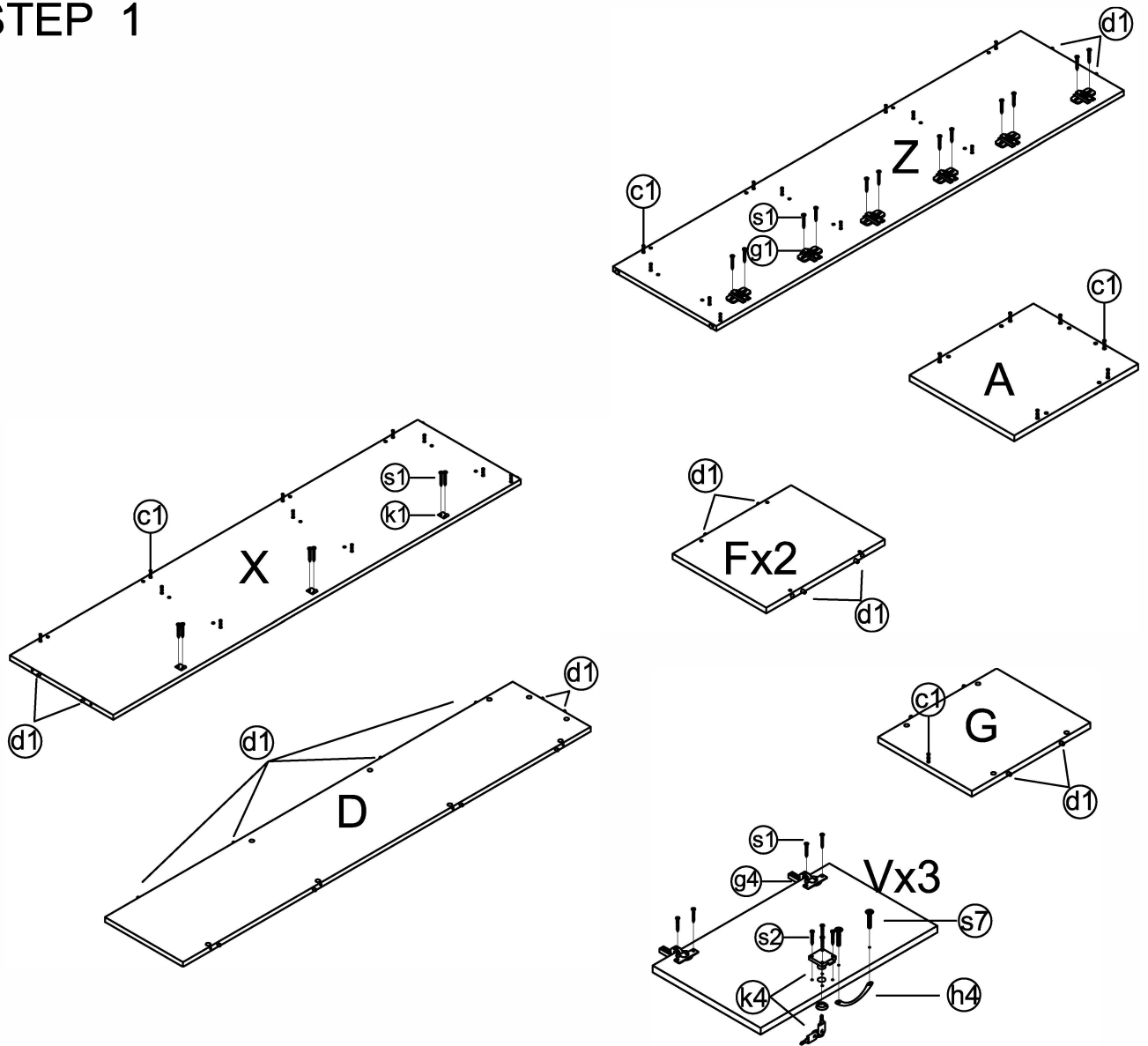
(q4) Hinge Body-6

## Pre-installed parts



(c5) Cam

## STEP 1

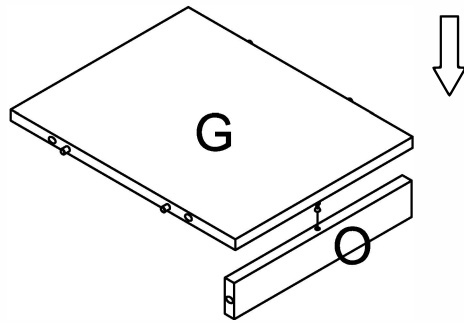


### Preparation for Top panel A, Bottom panel G, Left side panel X, Right side panel Z, Door panel V .

- 1、 Insert cam bolts (c1) and dowel pins (d1) into panels A,G,X,and Z as illustrated above.
- 2、 Fix hinge stands (g1) to panels X,Z with screws (s1) as illustrated above.
- 3、 Fix hinge bodies (g4) to panels V with screws (s1) as illustrated above.
- 4、 Fix handles (h4) to panels V with fix bolts (s7) as illustrated above.
- 5、 Fix lock (k4) to panel V with screws (s1) as illustrated above.
- 6、 Fix lock catch (k1) to panel X with screws (s1) as illustrated above.

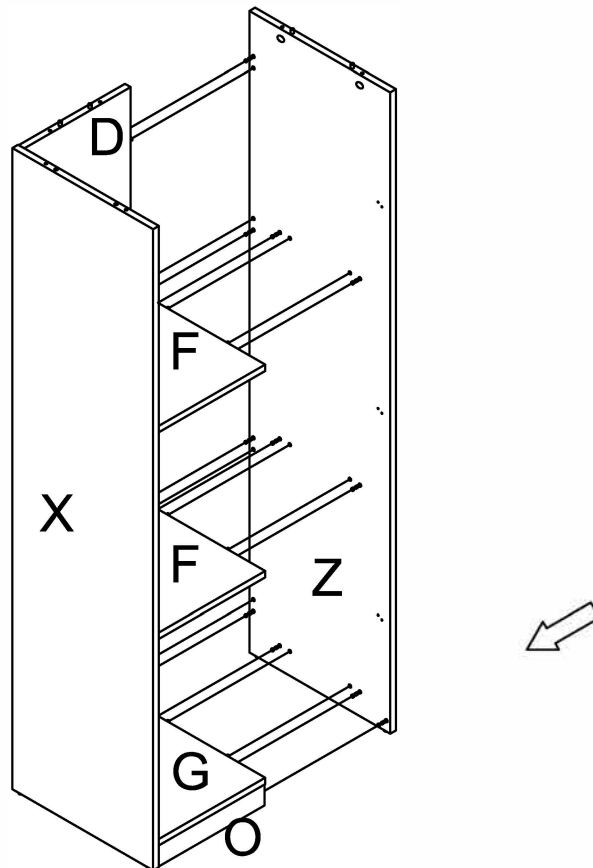
---

## STEP 2



### Bottom panel G , Back panel Batten O assembly.

- 1、 Insert cam bolts (c1) on panel G into cams on panel O and tighten in a clockwise direction as illustrated above.

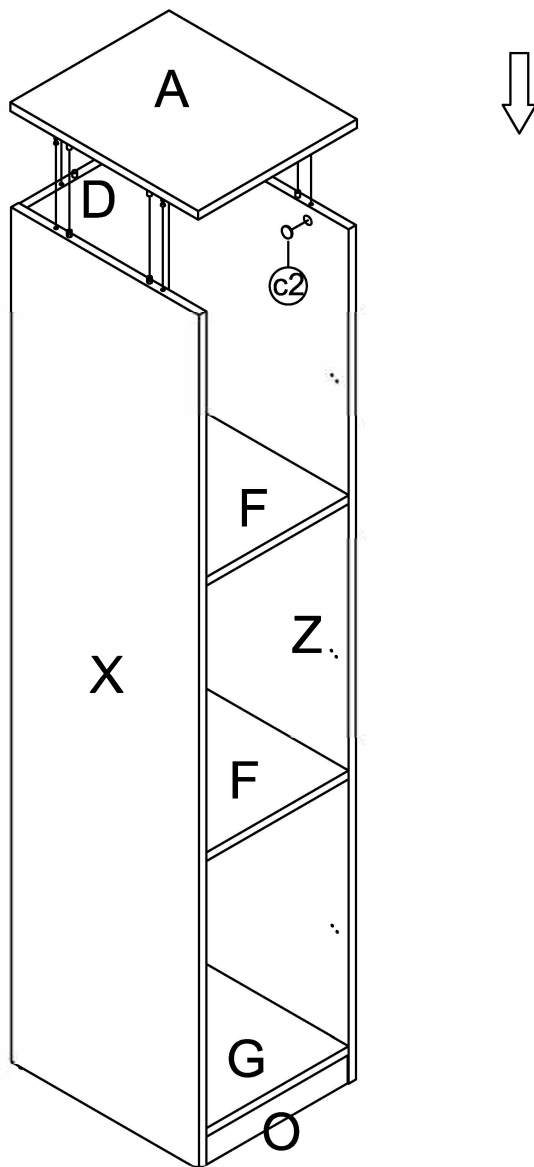


### Left side panel X and Right side panel Z assembly.

- 1、 Insert cam bolts (c1) and dowel pins (d1) on panel X and Z into cams on panel D and tighten in a clockwise direction as illustrated above.

---

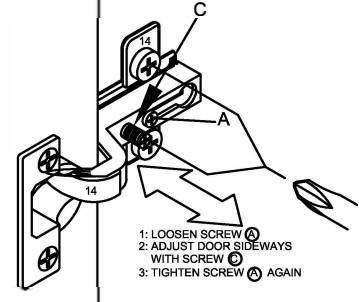
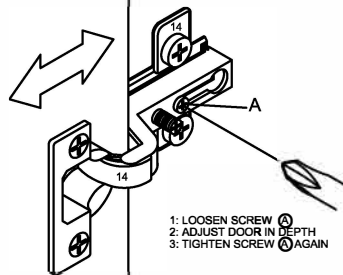
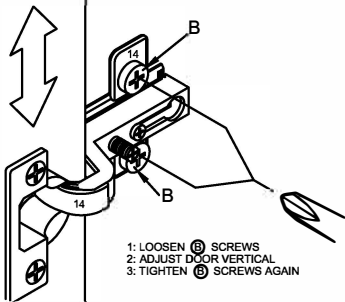
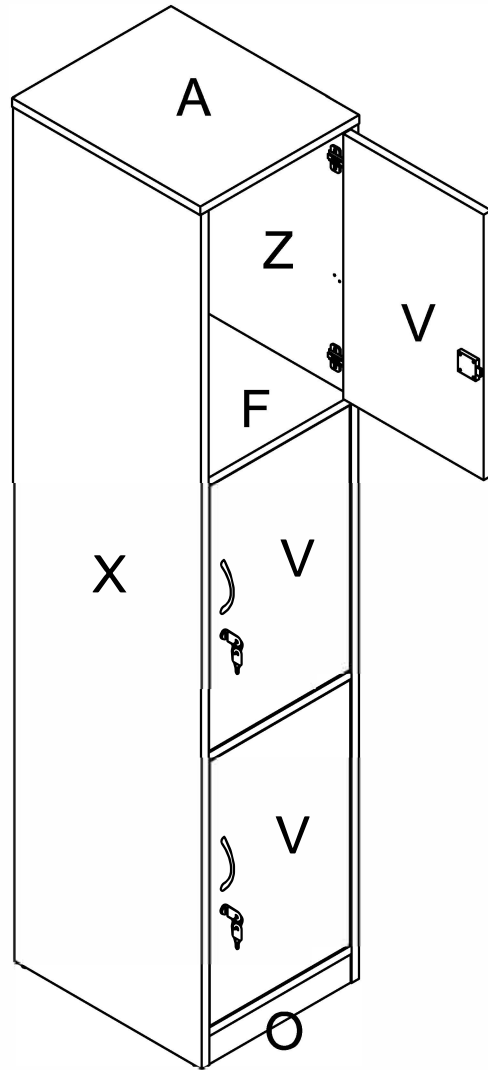
## STEP 2



### Top panel A assembly.

1. Insert cam bolts (C1) and dowel pins (D) on panel A into cams on panel X,Z and D and tighten in a clockwise direction as illustrated above.
2. Cover the cam covers (C2) on the top of cams.

# STEP 5



**Door panel V1,V2 assembly.**