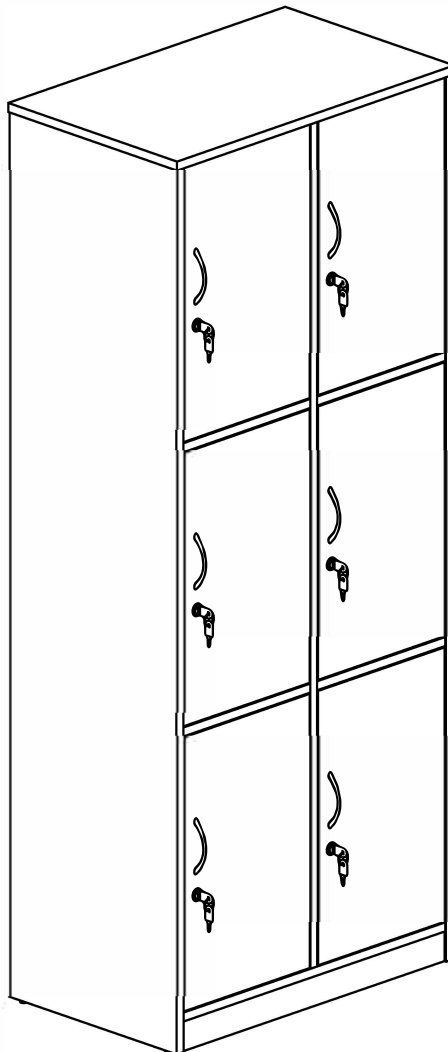
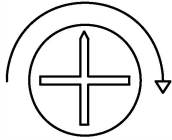


# ASSEMBLY INSTRUCTION

Axis Locker Single  
ITEM No.:AXLOC2



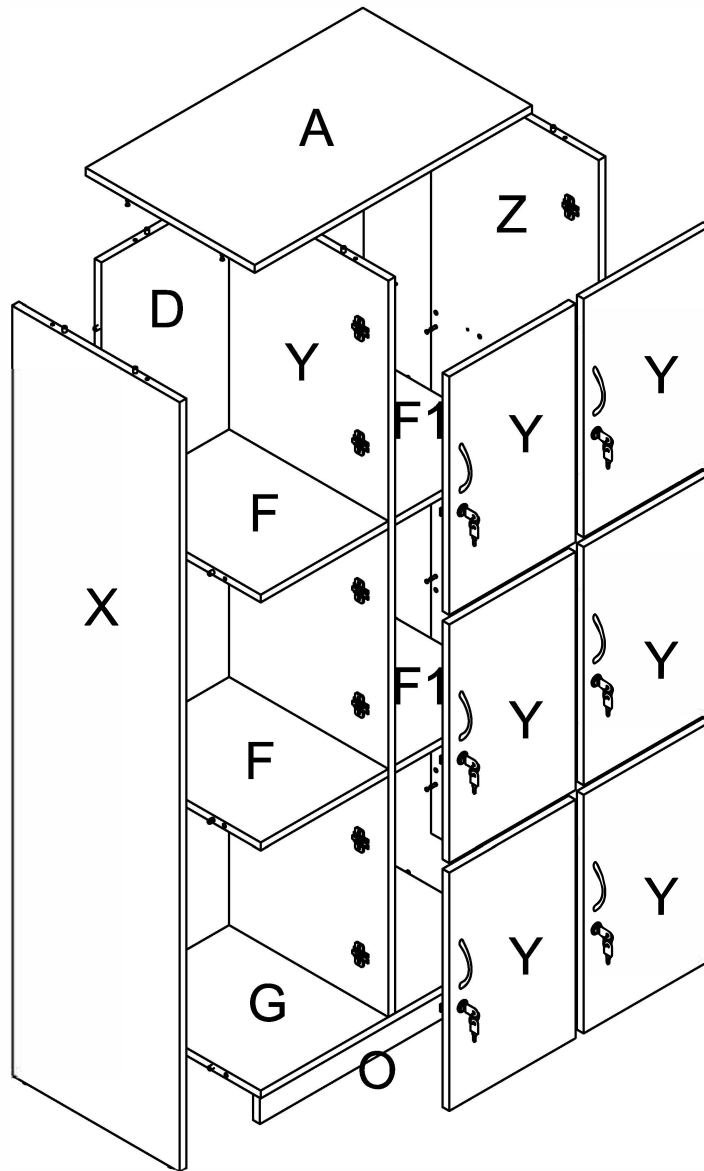
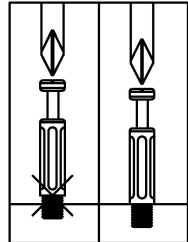


The turning direction of attaching



The arrow direction=front

Incorrect Correct



# PARTS LIST

ITEM	DESCRIPTION	QTY.	ITEM	DESCRIPTION	QTY.
A	Top panel	1	ⓐ1	6*35 Cam Bolt	48
X	Left side panel	1	ⓐ1	8*30 Dowel pin	46
Z	Right side panel	1	ⓐ2	( <sup>5</sup> / <sub>8</sub> " ) Cam Cover	48
Y	Vertical panel	1	ⓐ1	4*16 Screw	60
D	Back panel	1	ⓐ2	3.5*20 Screw	24
G	Bottom panel	1	ⓐ1	Lock Catch	6
F	Immovable panel	2	ⓐ4	Lock	6
F1	Immovable panel	2	ⓐ4	Handle	6
O	Batten	1	ⓐ7	4*22 Fix Bolt	12
V	Door panel	6	ⓐ4	Hinge Body	12
			ⓐ1	Hinge Stand	12



(c1) 6\*35 Cam Bolt-48



(d1) 8\*30 Dowel Pin-46



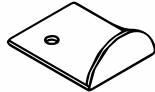
(e2) (3/8") Cam Cover-48



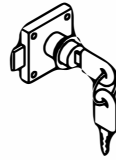
(s1) 4\*16 Screw-60



(s2) 3.5\*20 Screw-24



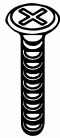
(k1) Lock Catch-6



(k4) Lock-6



(h4) Handle-6



(s7) 4\*22 Fix Bolt-12

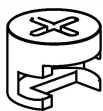


(q1) Hinge Stand-12



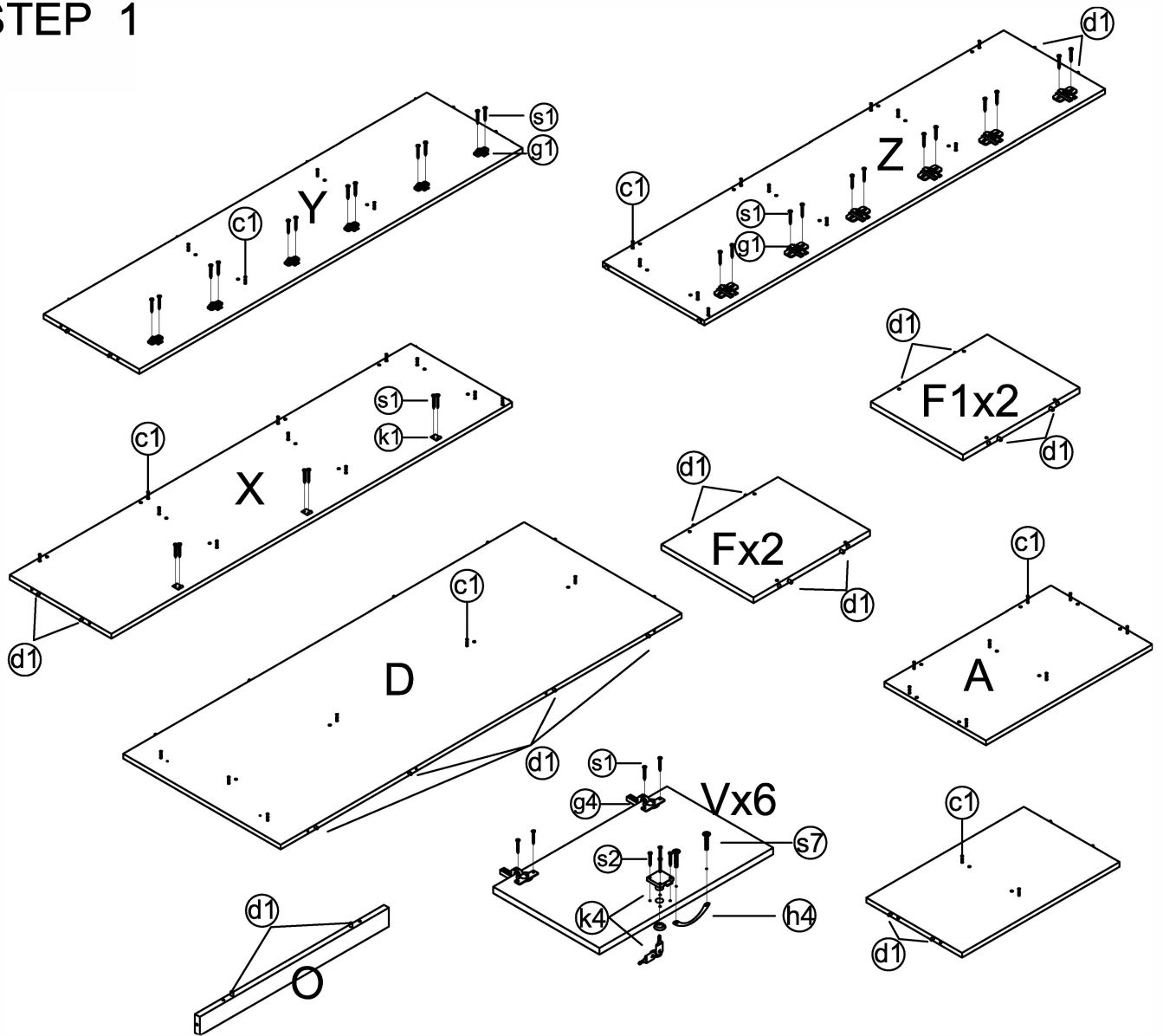
(q4) Hinge Body-12

## Pre-installed parts



(c5) Cam

## STEP 1

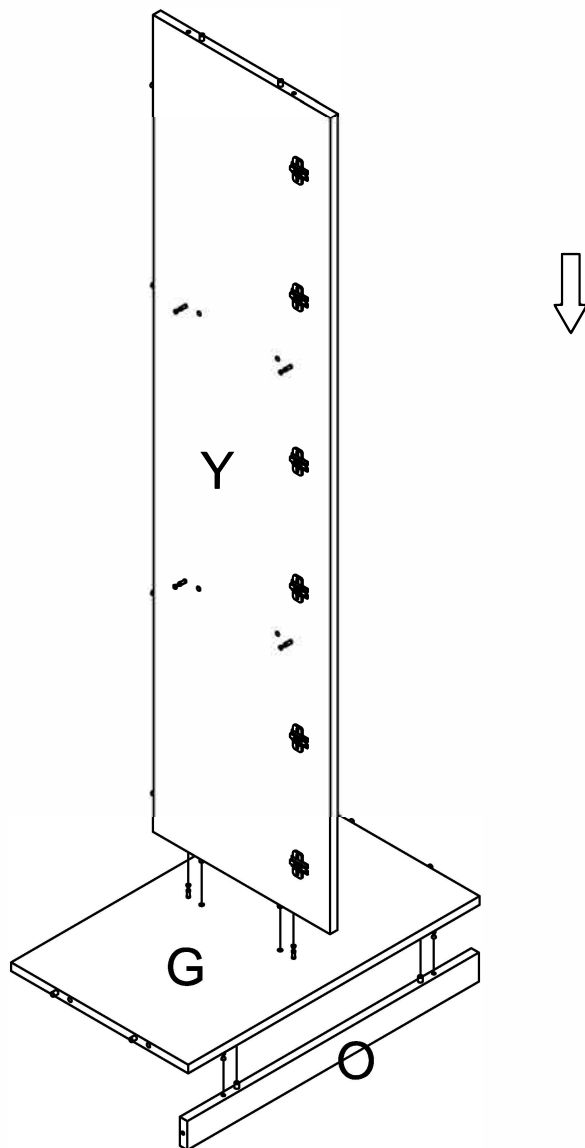


### Preparation for Top panel A, Bottom panel G, Left side panel X, Right side panel Z, Vertical panel Y, Door panel V .

- 1、 Insert cams bolts (c1) and dowel pins (d1) into panels A,G,X,and Z as illustrated above.
- 2、 Fix hinge stands (g1) to panels X,Z and Y with screws (s1) as illustrated above.
- 3、 Fix hinge bodies (g4) to panels V with screws (s1) as illustrated above.
- 4、 Fix handles (h4) to panels V with fix bolts (s7) as illustrated above.
- 5、 Fix lock (k4) to panel V with screws (s1) as illustrated above.
- 6、 Fix lock catch (k1) to panel X with screws (s1) as illustrated above.

---

## STEP 2

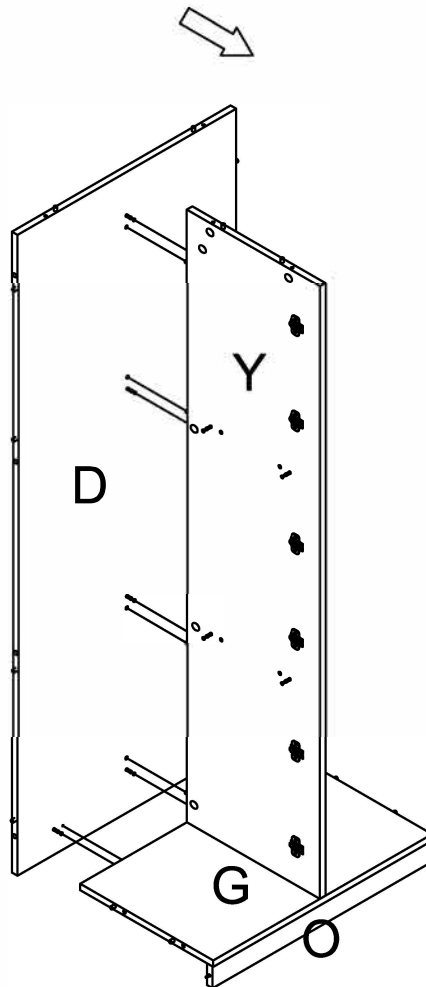


### **Bottom panel G , Back panel D and Batten O assembly.**

- 1、 Insert cam bolts (C1) on panel G into cams on panel O and tighten in a clockwise direction as illustrated above.
- 2、 Insert cam bolts (C1) on panel G into cams on panel D and tighten in a clockwise direction as illustrated above.

---

## STEP 3

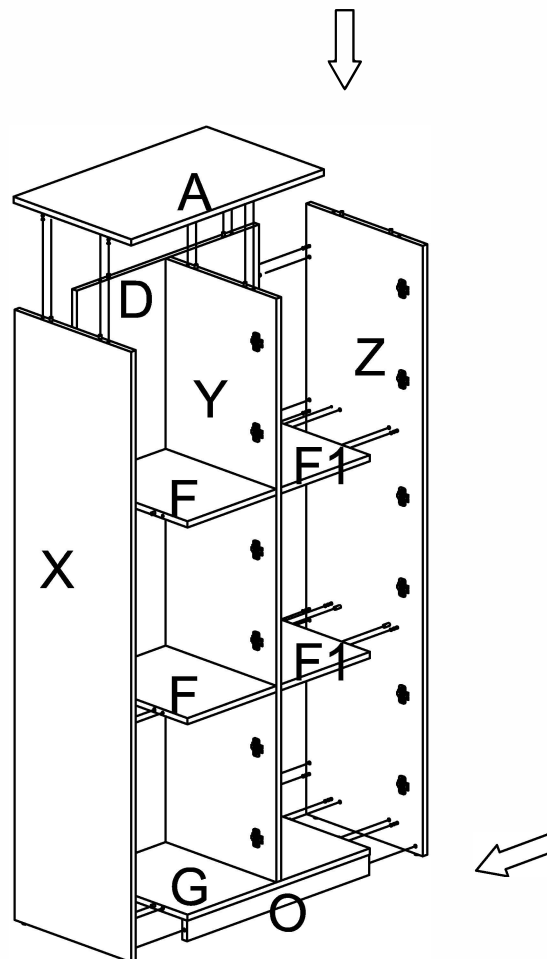


### **Back panel D, bottom panel G, Vertical panel and Batten O assembly.**

1. Insert cam bolts (C1) on panel X and Z into cams on panels D,G,O and tighten in a clockwise direction as illustrated above.

---

## STEP 4

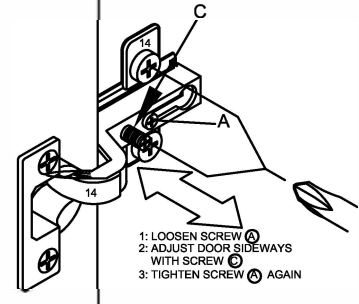
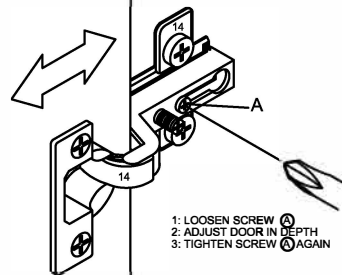
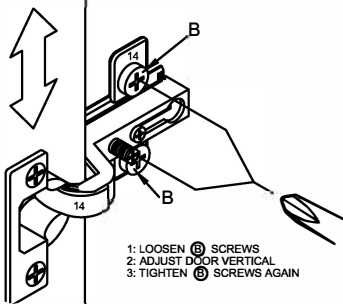
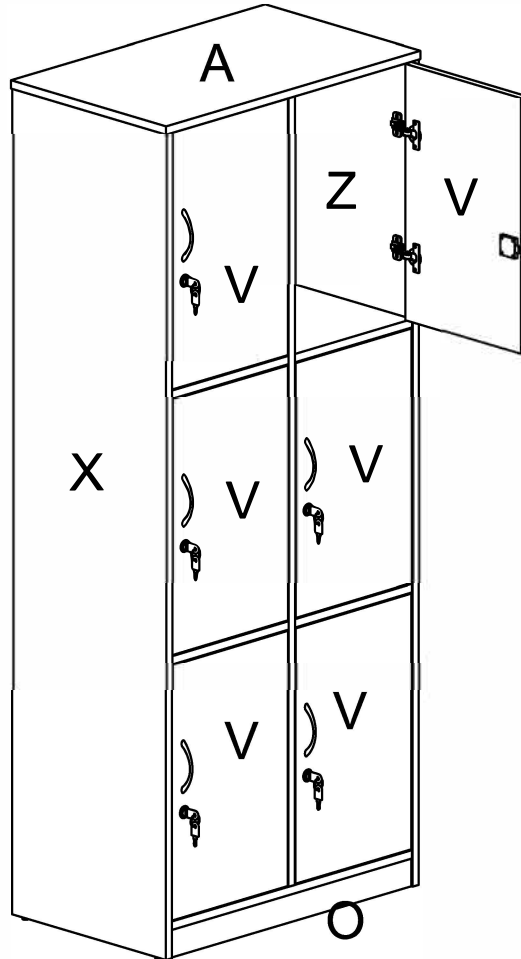


**Top panel A ,Back panel D, Left side panel X ,Right side panel Z,Vertical panel Y .bottom panel G,Vertical panel and Batten O assembly.**

- 1、 Insert cam bolts (C1) on panel A into cams on panels D,X,Y,Z and tighten in a clockwise direction as illustrated above.
- 2、 Cover the cam covers (C2) on the top of all the cams as illustrated above.



# STEP 5



Door panel V1,V2 assembly.