

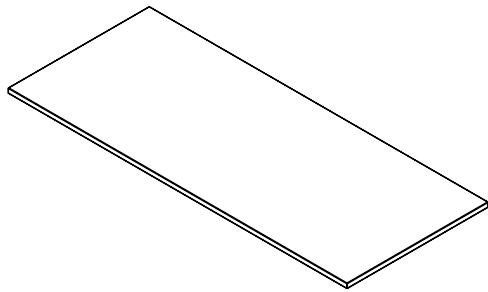
---

## **Axis Meeting Table**

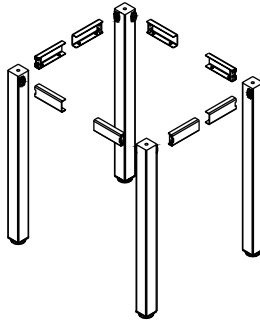
Assembly Instructions

# Axis Meeting Table

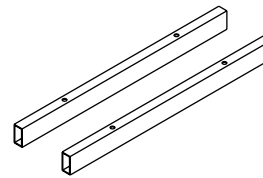
## Assembly Instructions



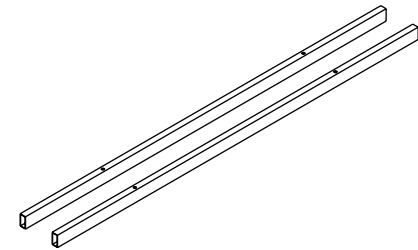
Axis Worktop



Axis 90° Corner Leg Set 4 KD



2 x Desk Rail



2 x Desk Rail



16 - M6 x 20



16 - M8 x 16

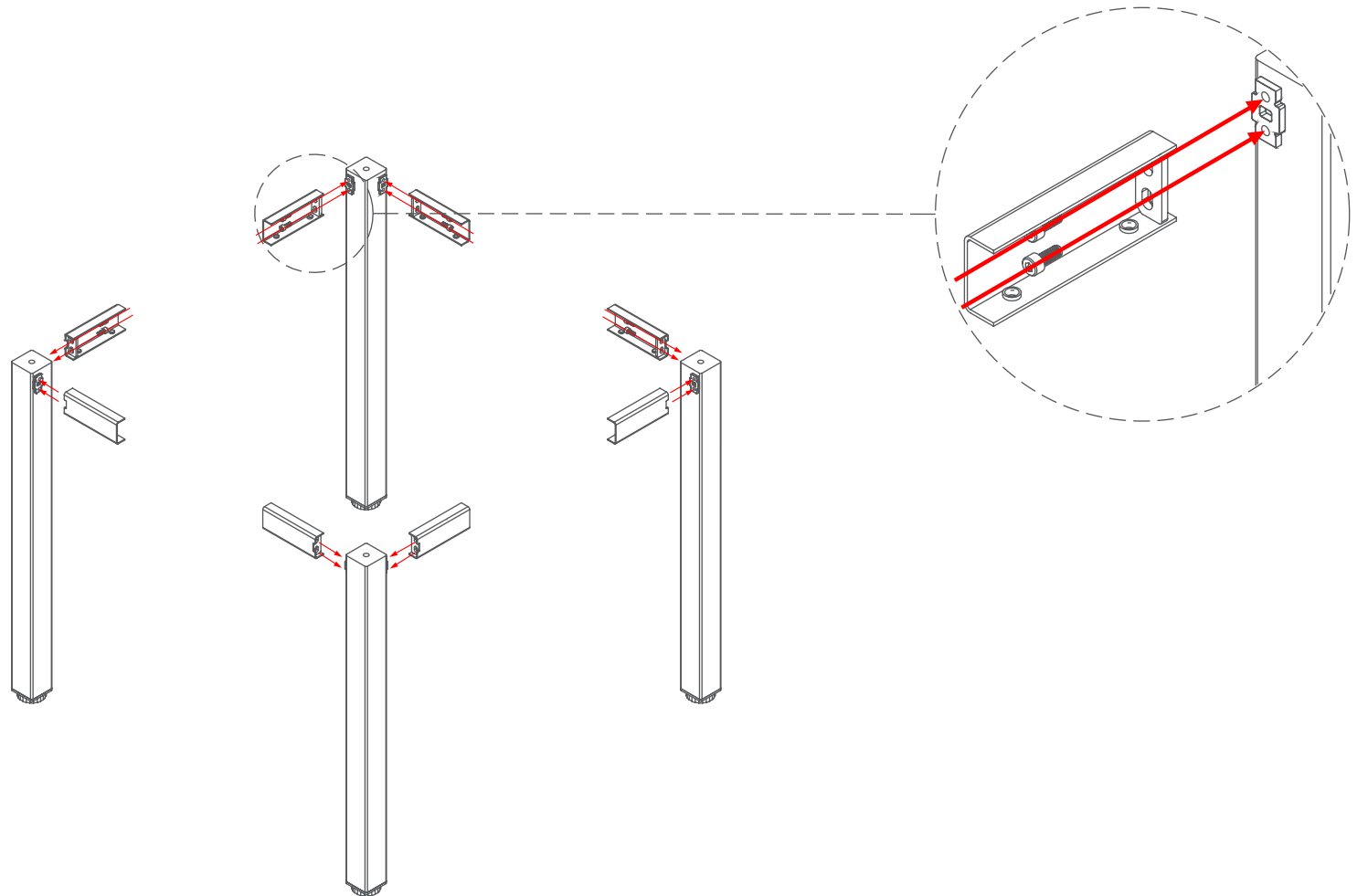
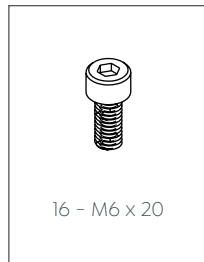


8 - ST5 x 70

# Axis Meeting Table

Assembly Instructions

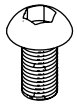
## STEP 1:



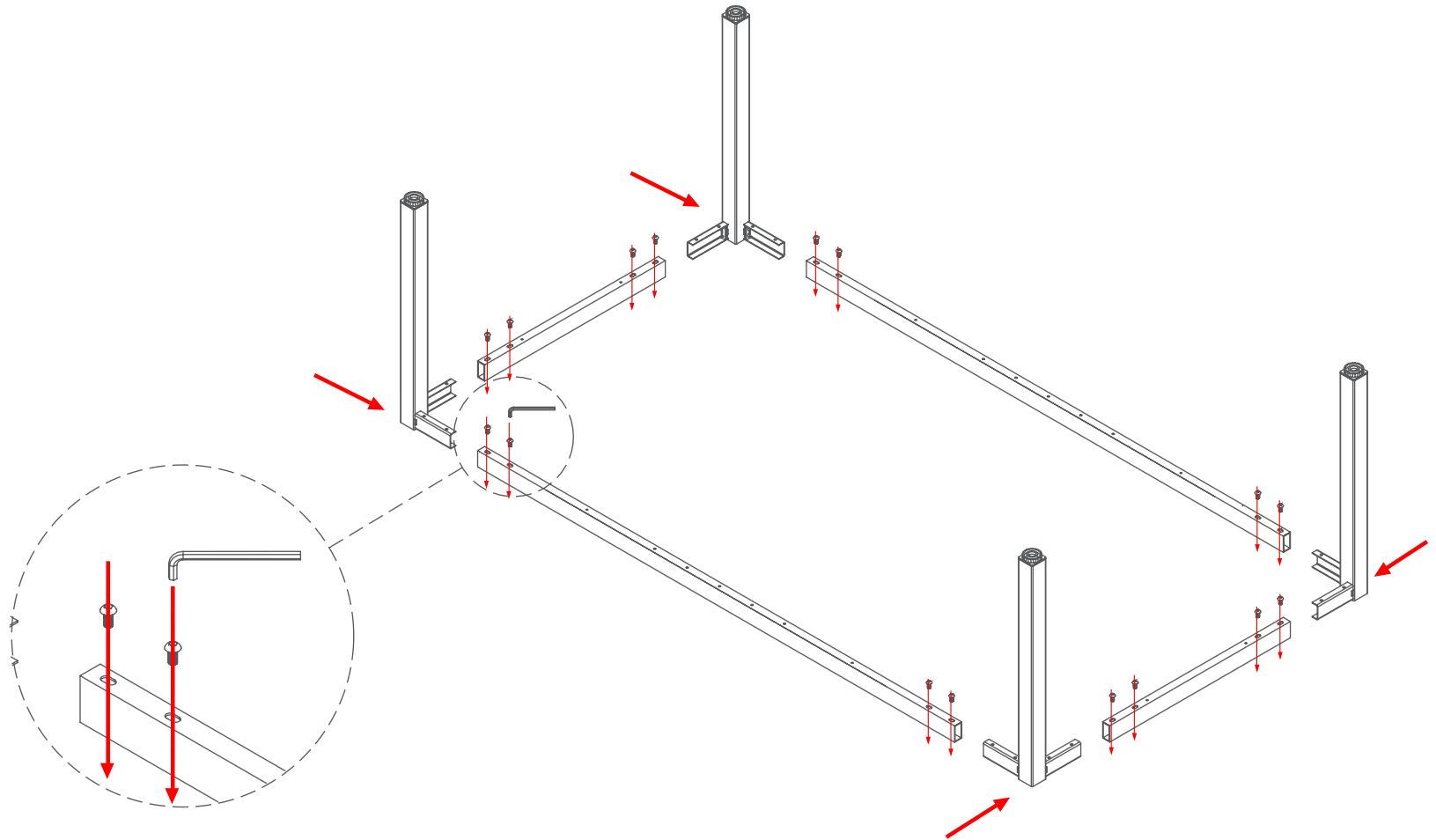
# Axis Meeting Table

## Assembly Instructions

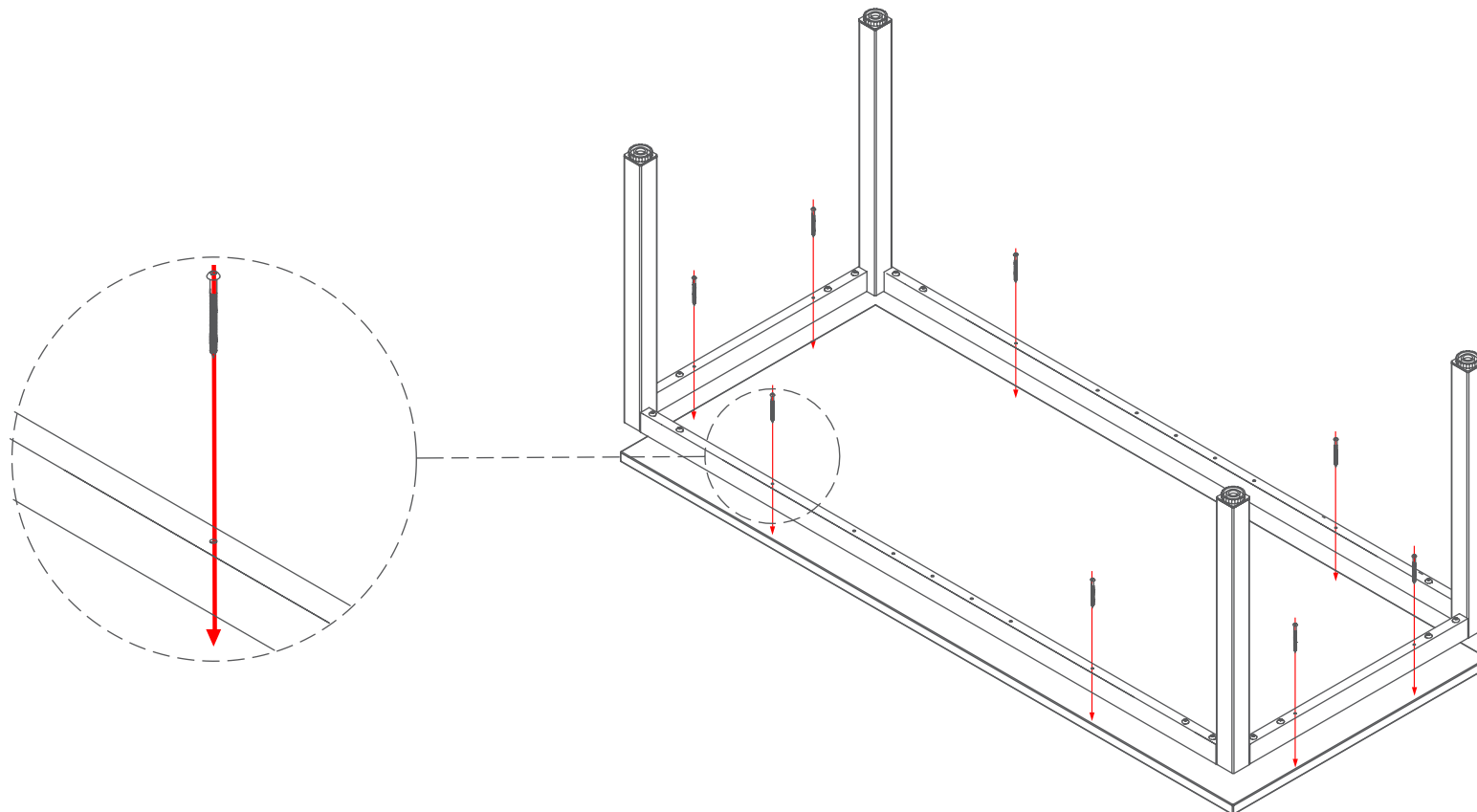
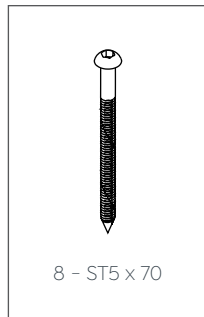
### STEP 2:



16 - M8 x 16



### STEP 3:



# Axis Meeting Table

Complete

---

**STEP 6:**

