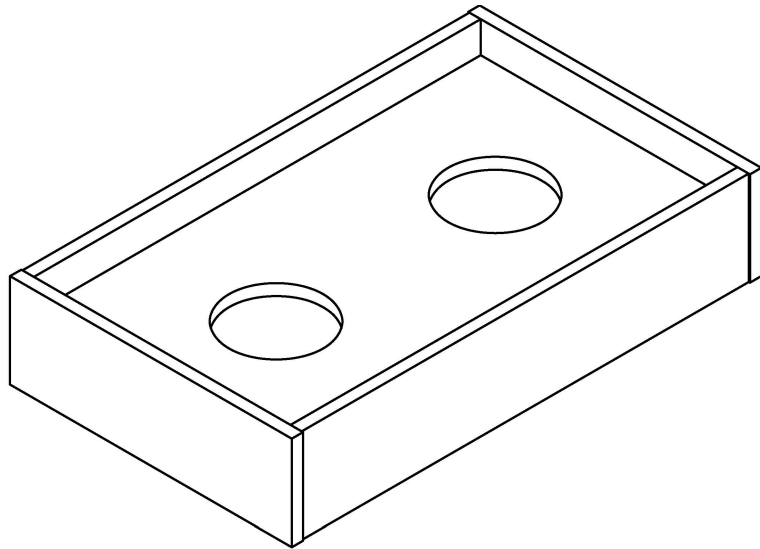
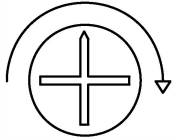


ASSEMBLY INSTRUCTION

AXIS Planter for Tambour Cabinet 750W

ITEM No.:AXPBOX200



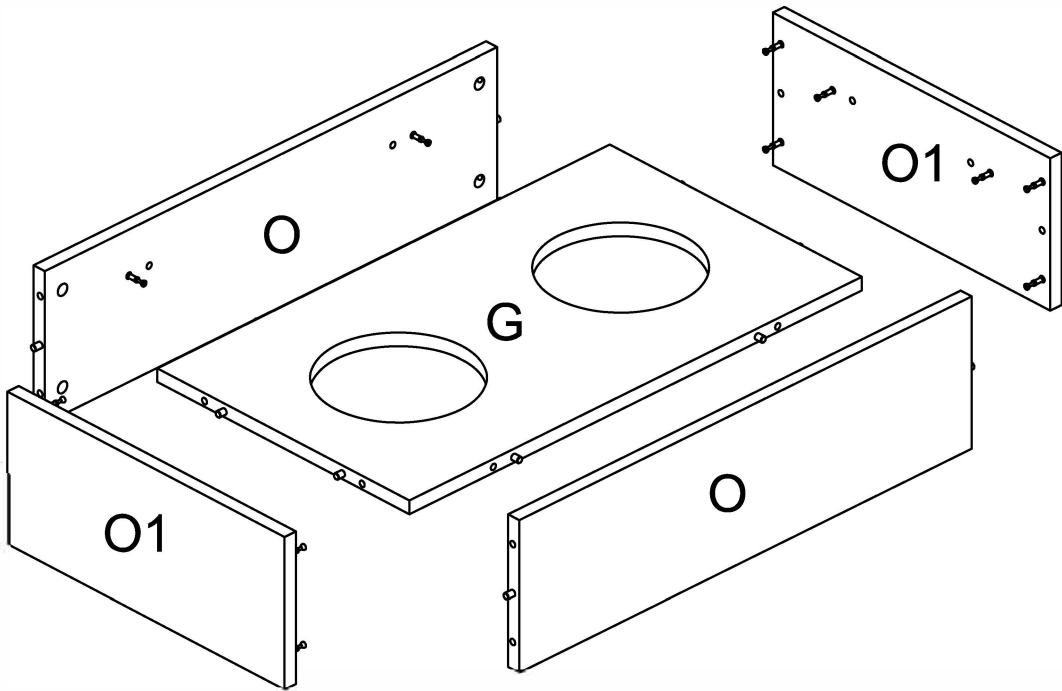
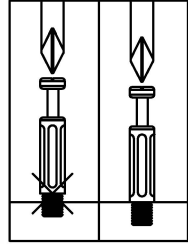


The turning direction of attaching



The arrow direction=front

Incorrect Correct



PARTS LIST

ITEM	DESCRIPTION	QTY.	ITEM	DESCRIPTION	QTY.
O	Side panel	2	(c1)	6*35 Cam Bolt	16
O1	Side panel	2	(d1)	8*30 Dowel pin	12
G	Bottom panel	1	(c2)	(5/8") Cam Cover	16



(c1) 6*35 Cam Bolt-16

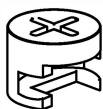


(d1) 8*30 Dowel Pin-12



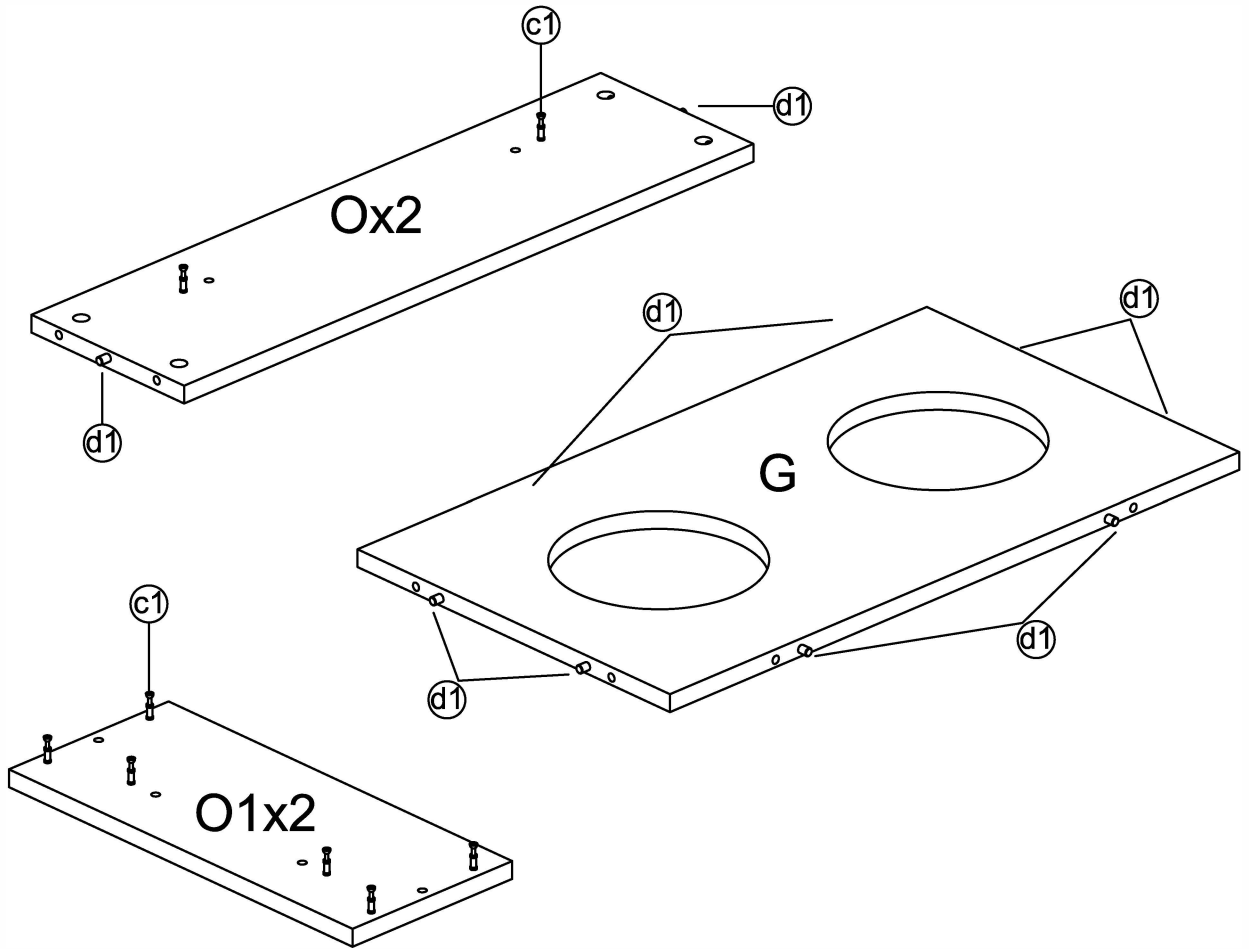
(c2) (5/8") Cam Cover-16

Pre-installed parts



(c5) Cam

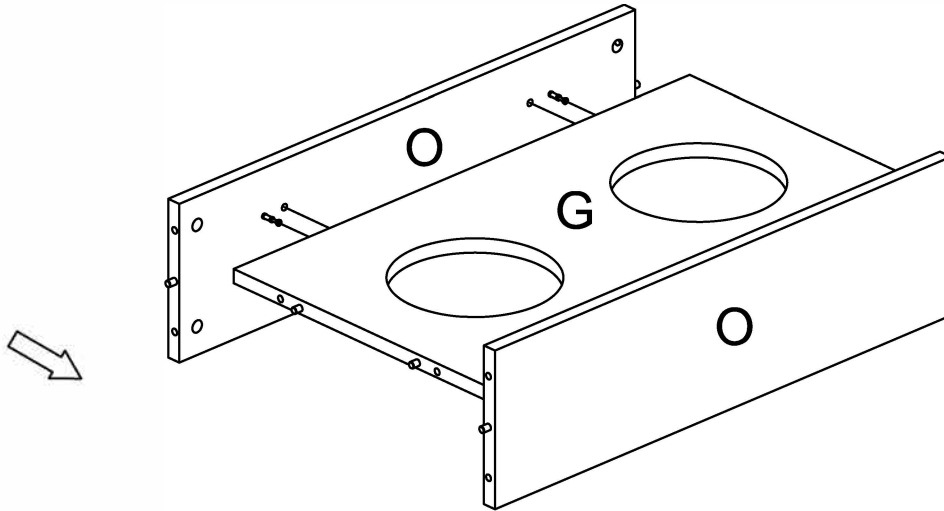
STEP 1



Preparation for Bottom panel G, side panel O,O1 .

1. Insert cam bolts (c1) and dowel pins (d1) into panels G,O and O1 as illustrated above.

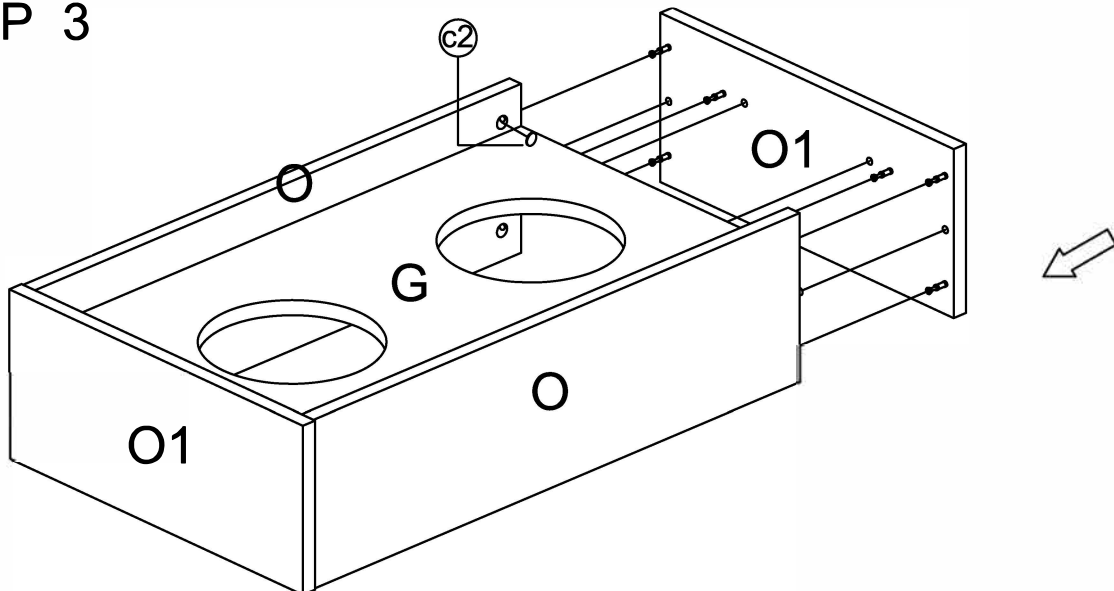
STEP 2



Bottom panel G , side panel O assembly.

- 1、 Insert cam bolts (c1) and dowel pins (d1) on panel O into cams on panel G and tighten in a clockwise direction as illustrated above.

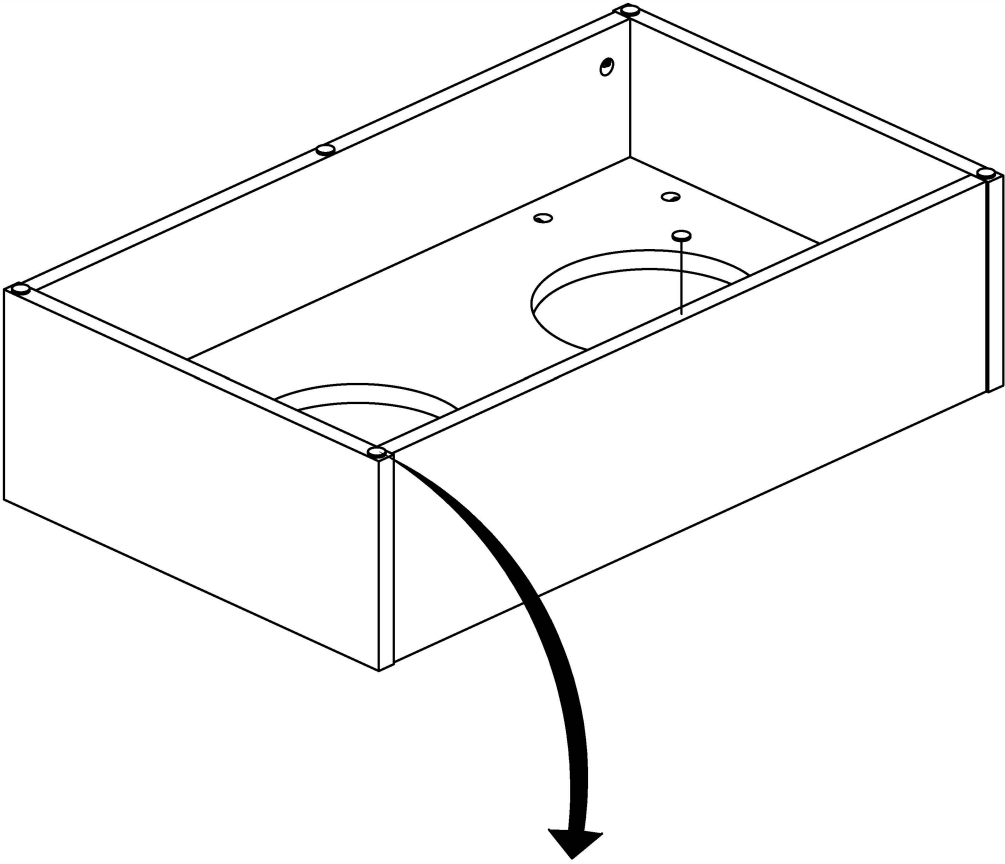
STEP 3



Side panel O,O1 assembly.

- 1、 Insert cam bolts (c1) and dowel pins (d1) on panel O1 into cams on panel G and tighten in a clockwise direction as illustrated above.
- 2、 Cover the cam covers (c2) on the top of cams.

STEP 4

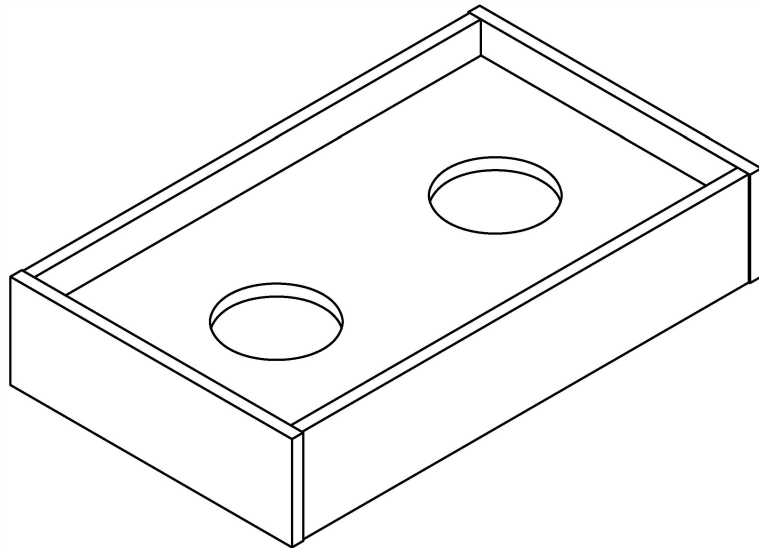


6 PCS Transparant plastic sticker

You have now successfully completed the assembly on item:

AXIS Planter for Tambour Cabinet 750W

ITEM No.:AXPBOX200



Remove all QC and panel labels and wipe clean using a damp cloth and general household cleaner .