

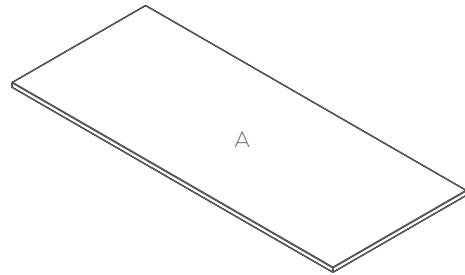
---

## **Axis Single Workspace**

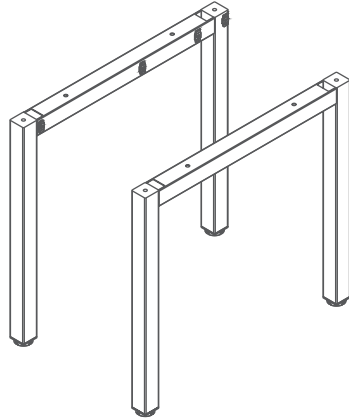
Assembly Instructions

# Axis Single Workspace

## Components List

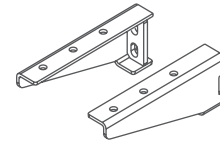


Axis Worktop



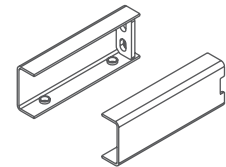
1 x L & R Leg Pair

EL



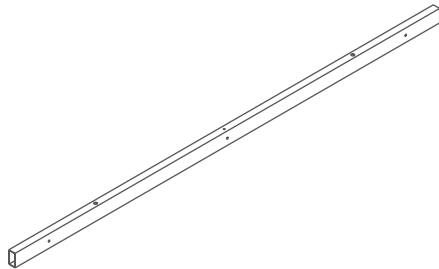
1 x Pair AXKDBRAC

B



1 x Pair AXKDSPIGE

C



1 x Rail

R



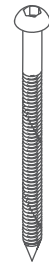
8 - M6 x 20



4 - M8 x 16

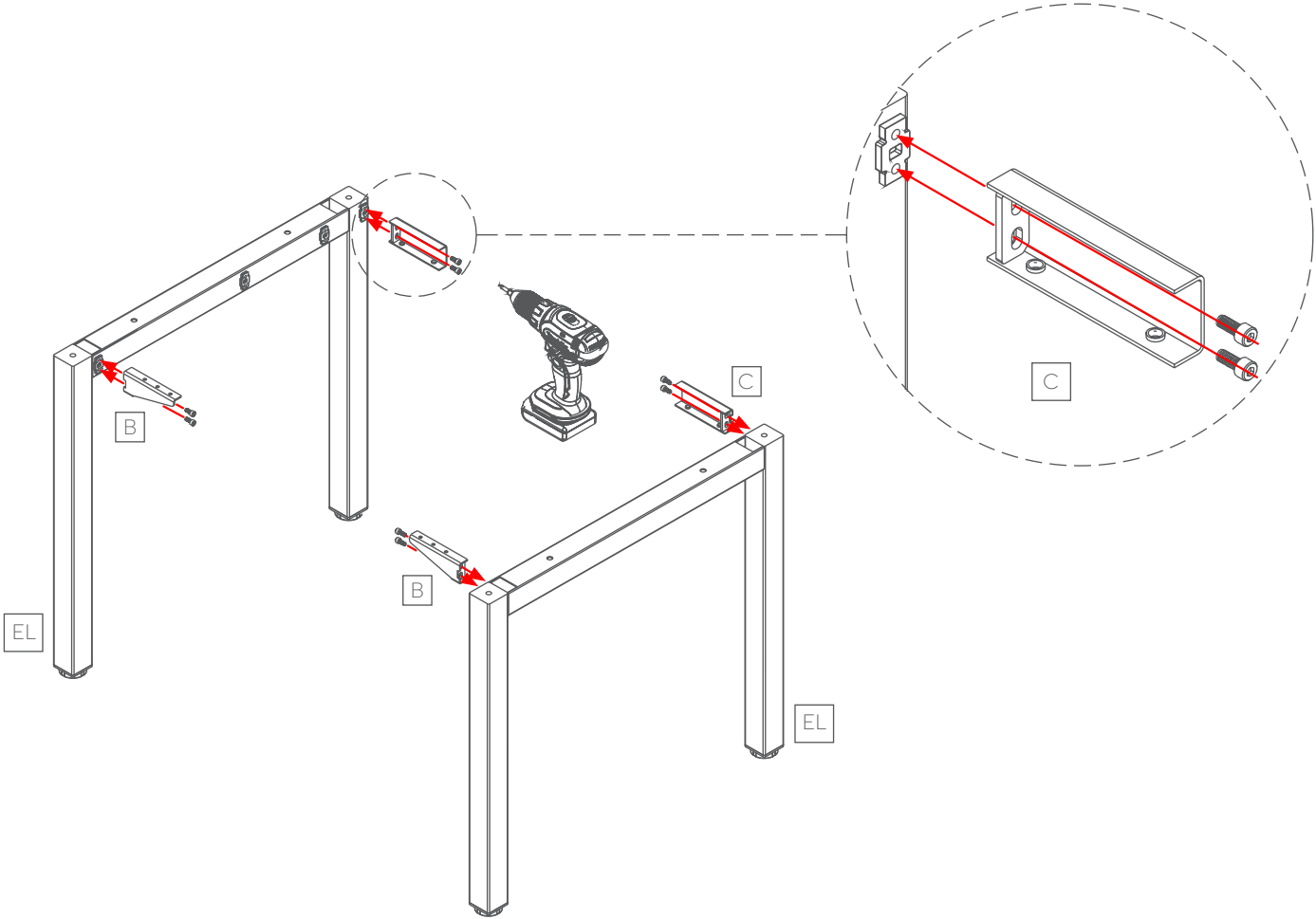
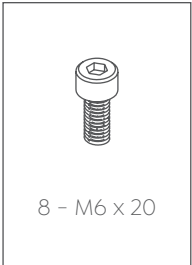


6 - ST6 x 23



6 - ST5 x 70

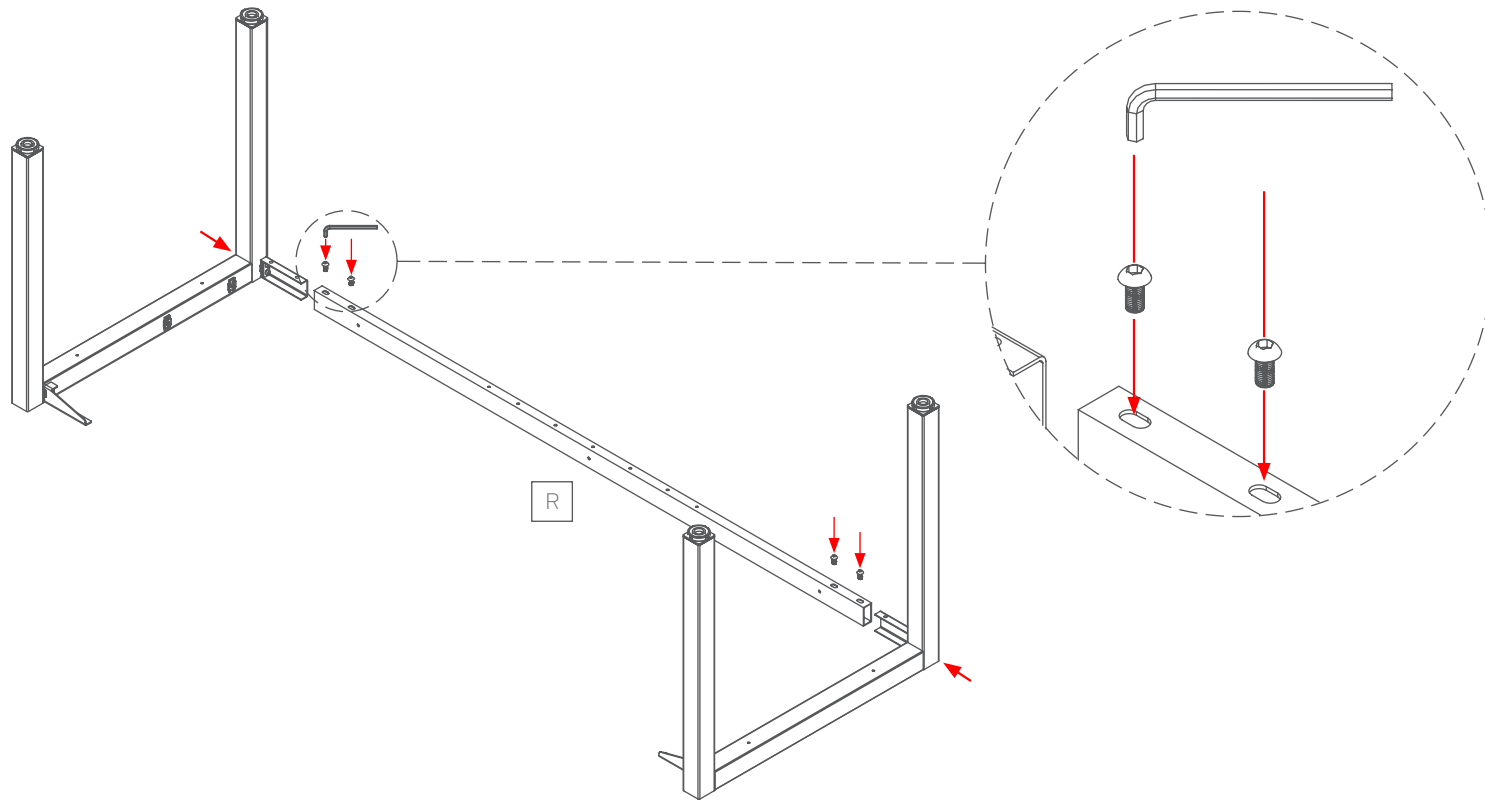
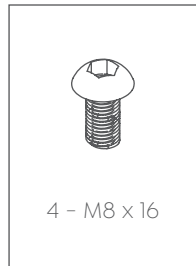
**STEP 1:**





# Axis Single Workspace

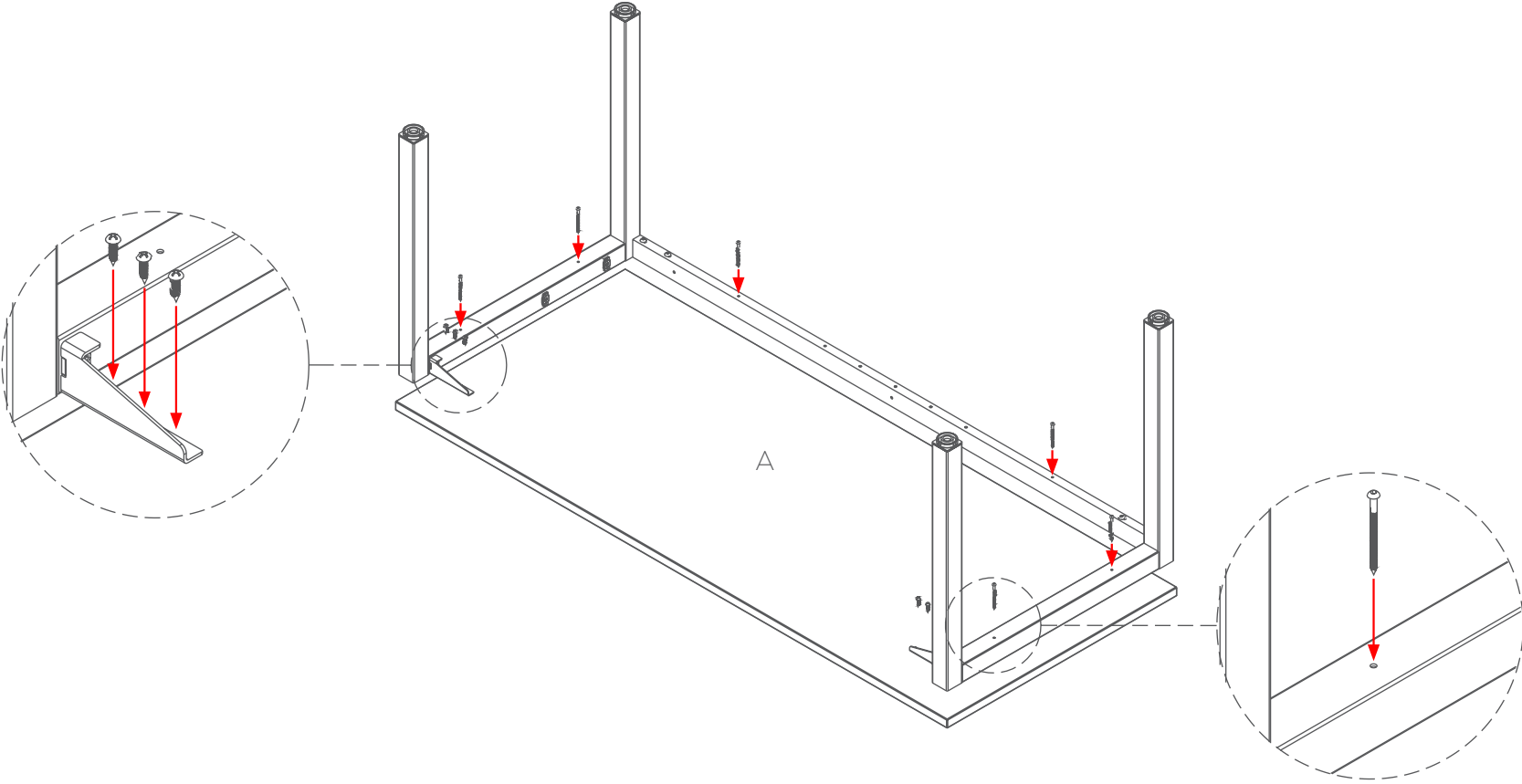
## Assembly Instructions

### STEP 2:



**STEP 3:**

-   
8 - M6 x 20
-   
8 - M6 x 20

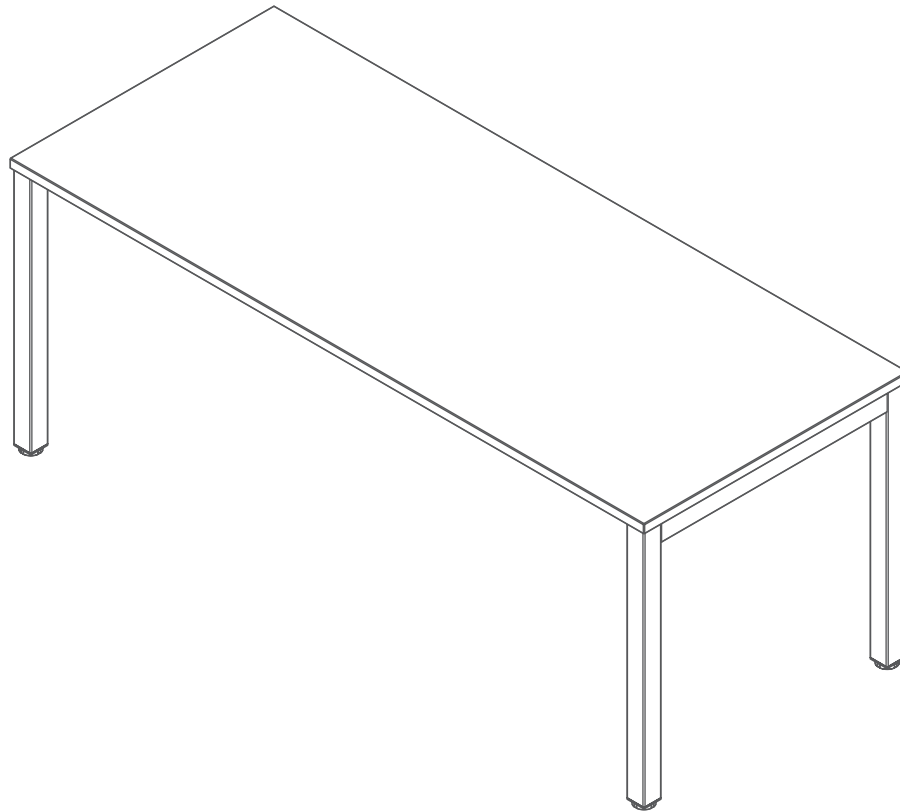


# Axis Single Workspace

Assembly Instructions

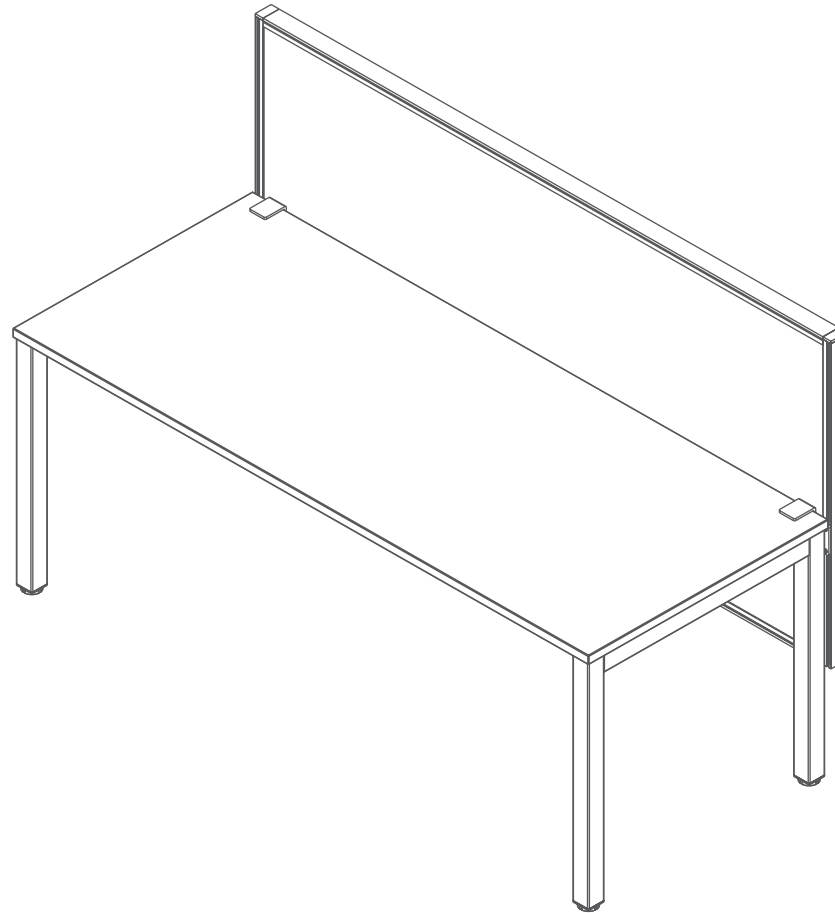
---

**Complete:**



# Optional Studio50 Desk Hung Screen

Assembly Instructions

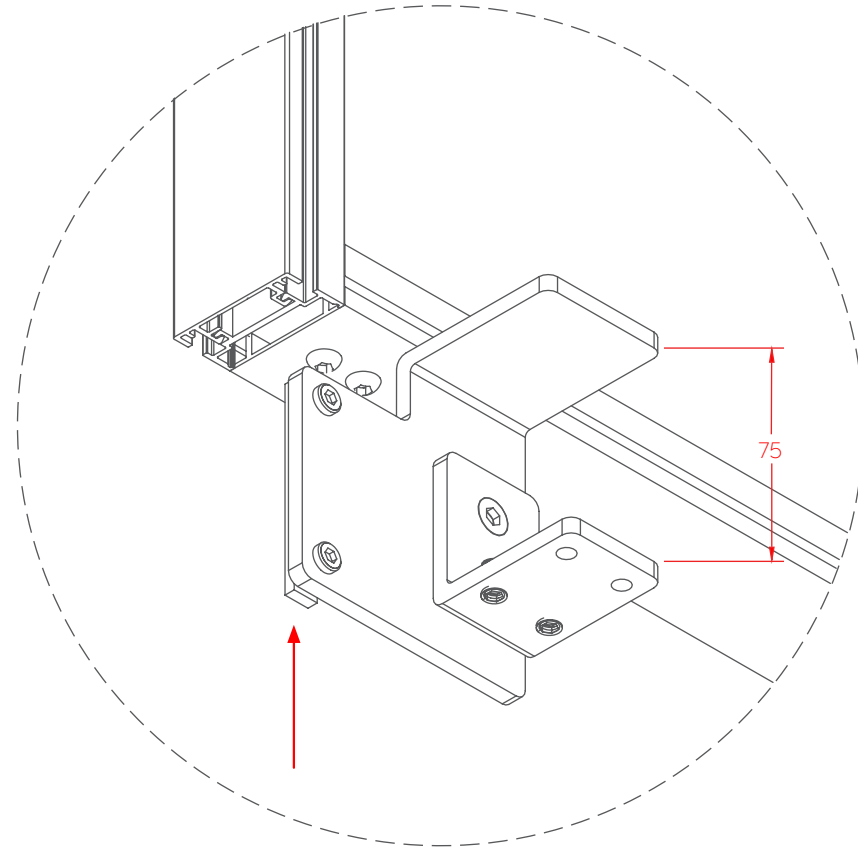
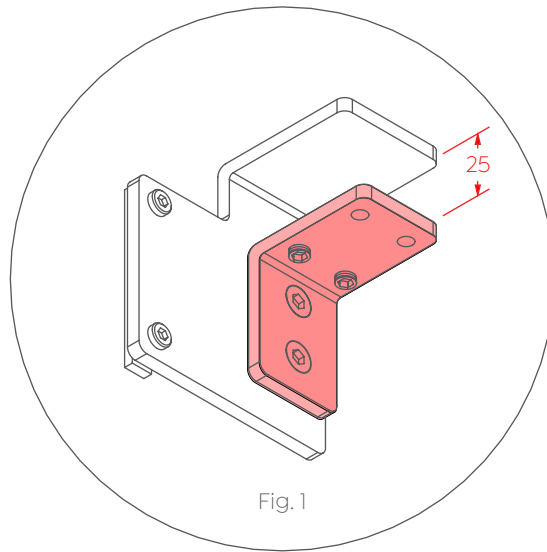


Studio50  
Screens are  
Australian  
Made.

# Optional Studio50 Desk Hung Screen

## Assembly Instructions

### STEP 1:



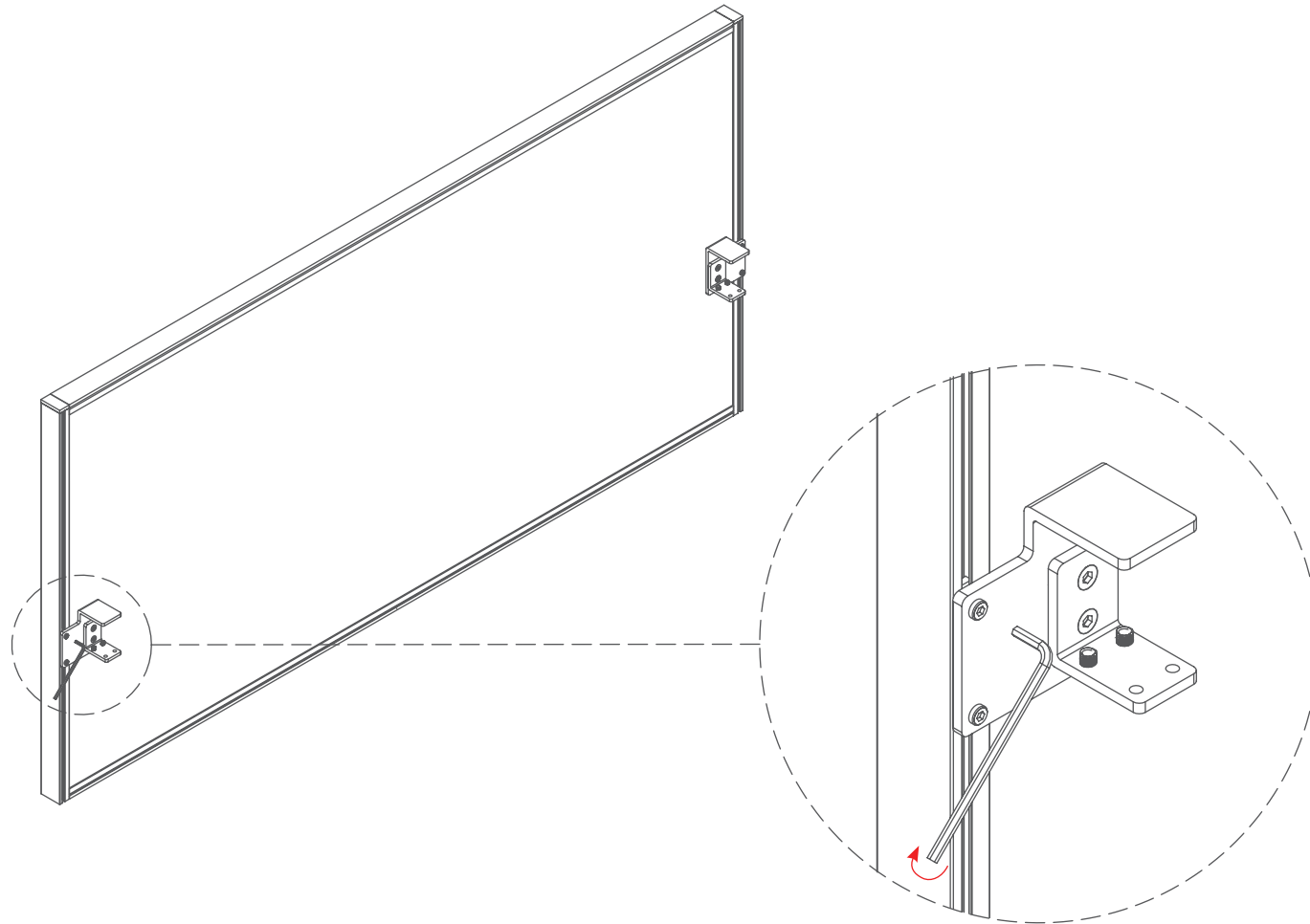
Note: Clamp can accommodate 25mm and 75mm thickness by rotating highlighted section of clamp in Fig. 1



# Optional Studio50 Desk Hung Screen

Assembly Instructions

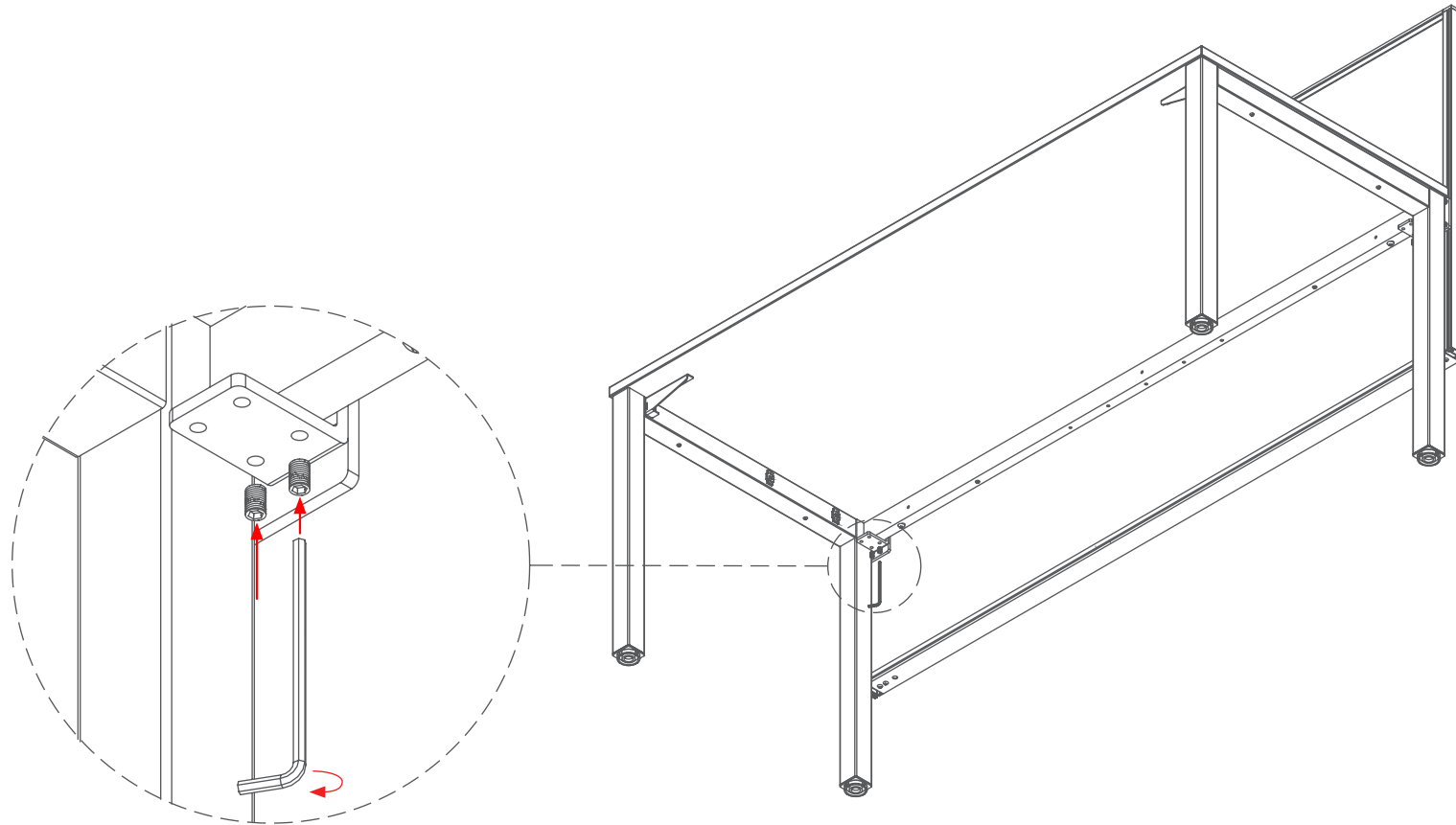
## STEP 2:



# Optional Studio50 Desk Hung Screen

Assembly Instructions

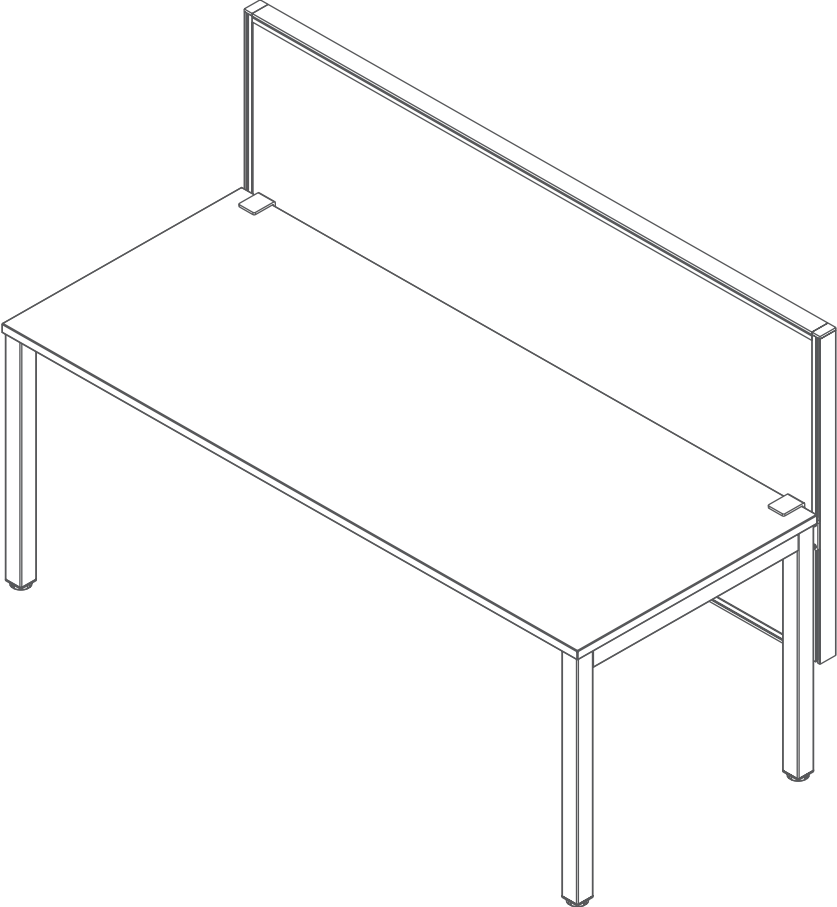
## STEP 3:



# Optional Studio50 Desk Hung Screen

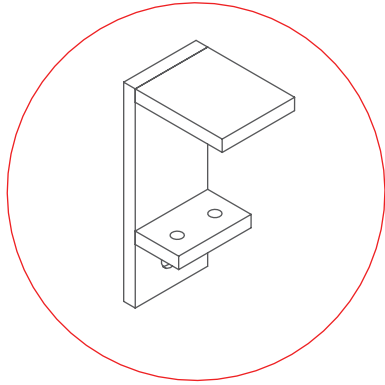
Assembly Instructions

**Complete:**

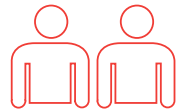


# Optional Axis Standard Hung Screen

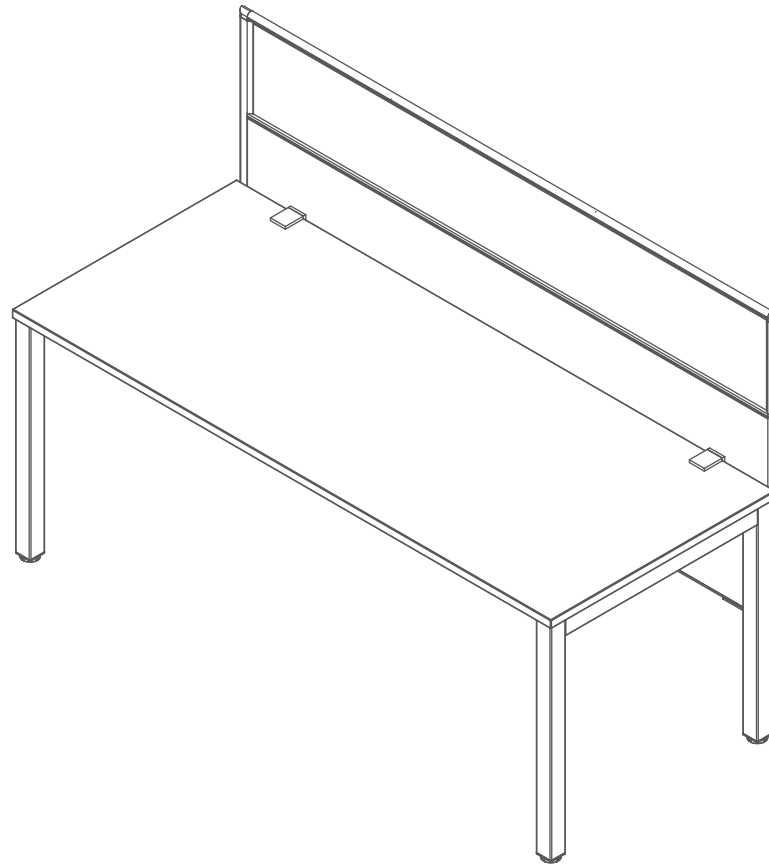
Assembly Instructions



Standard Screen Bracket:  
AX77SCR900



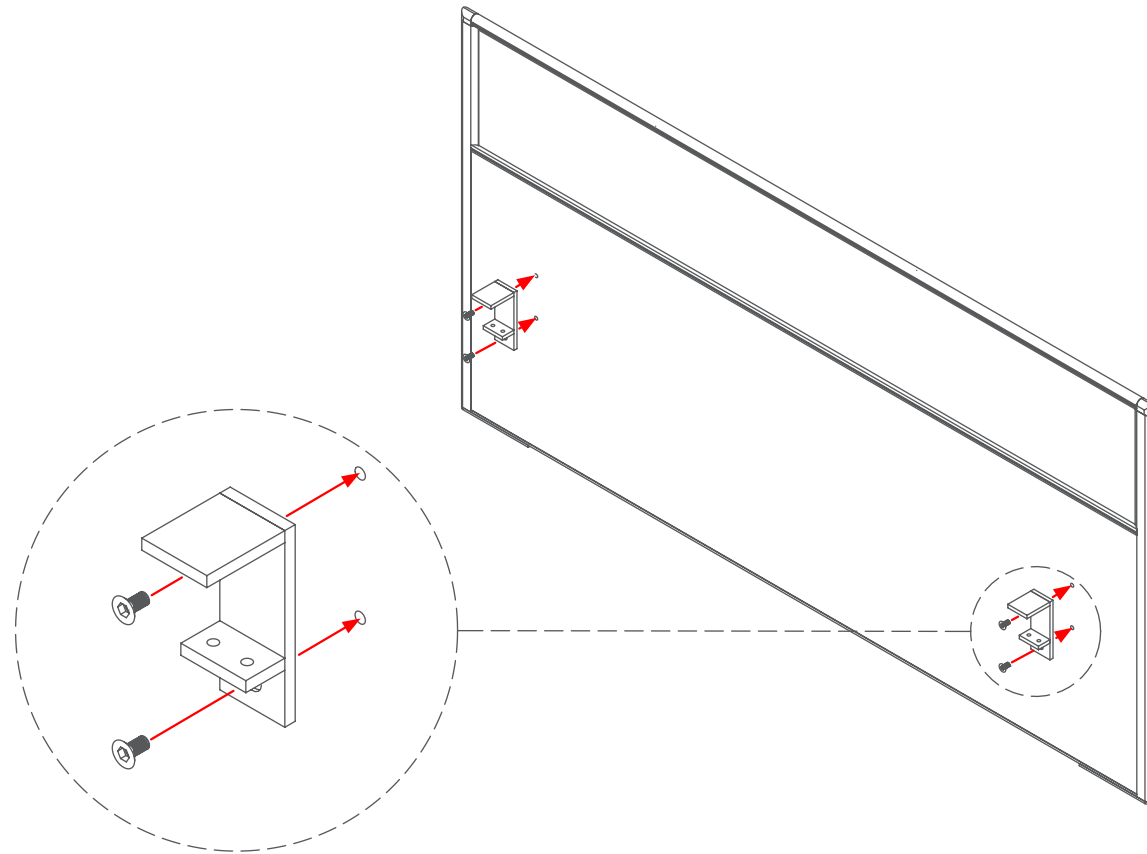
Recommended  
2 - person Step



# Optional Axis Standard Hung Screen

Assembly Instructions

## STEP 1:

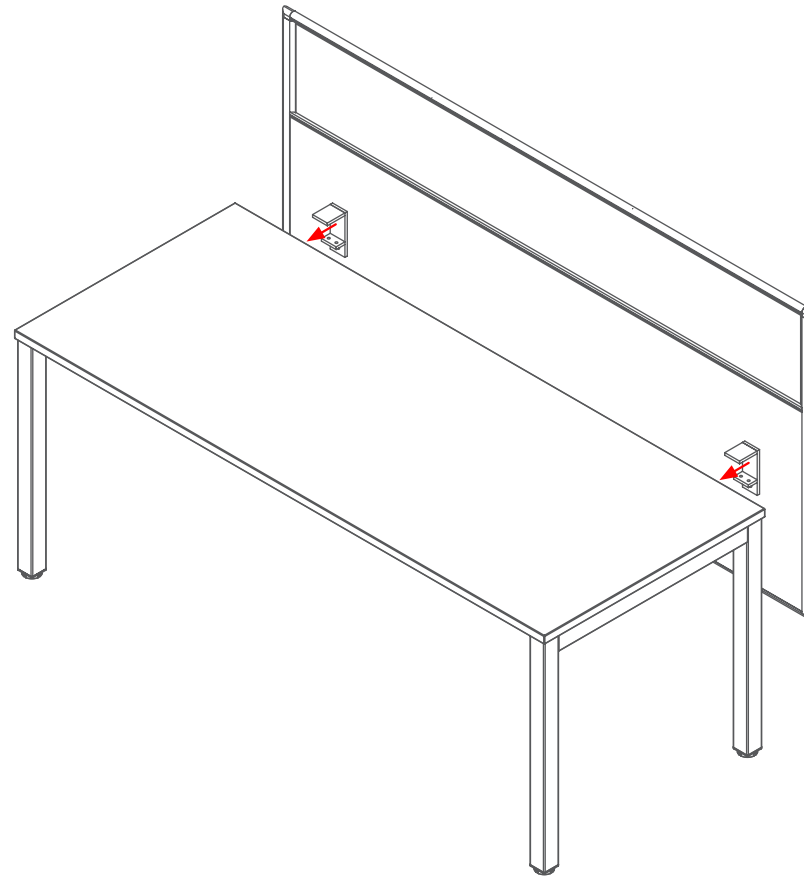


# Optional Axis Standard Hung Screen

Assembly Instructions

---

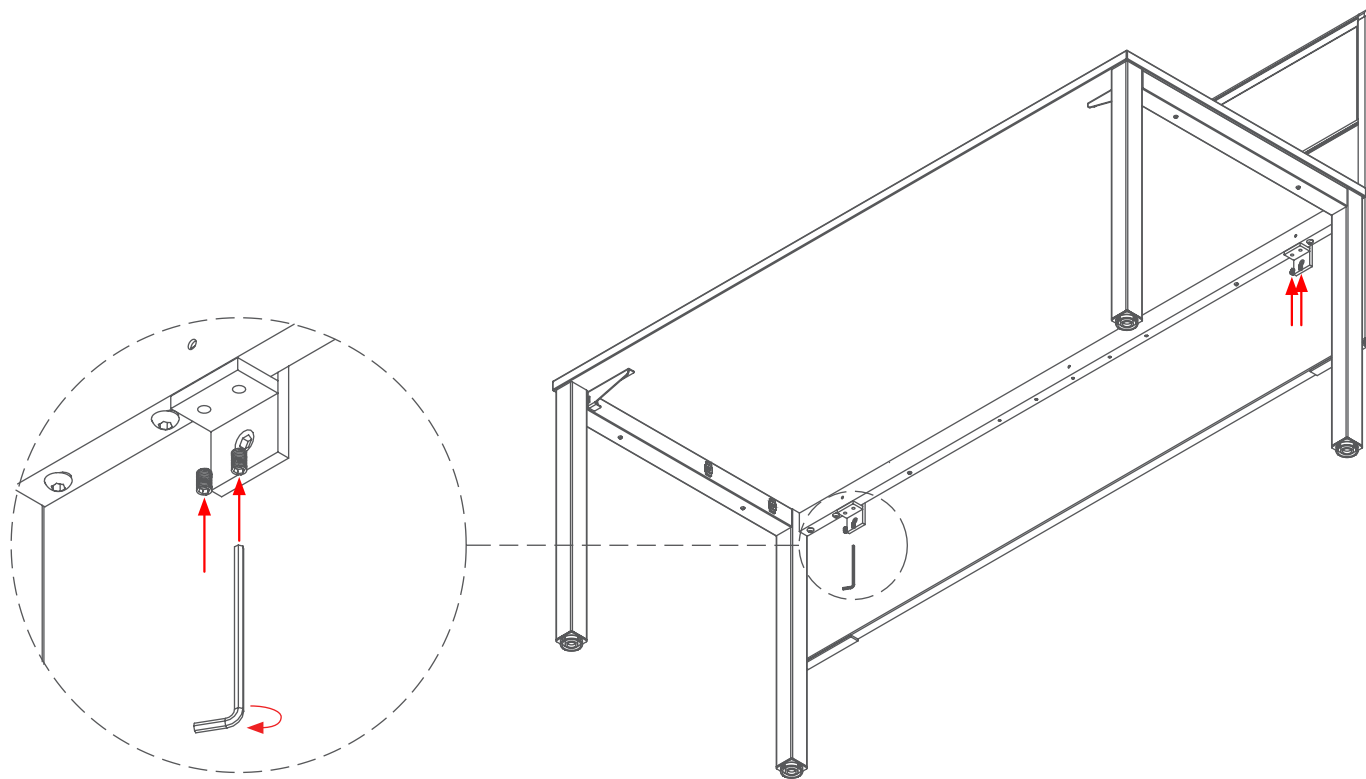
## STEP 2:



# Optional Axis Standard Hung Screen

Assembly Instructions

## STEP 3:

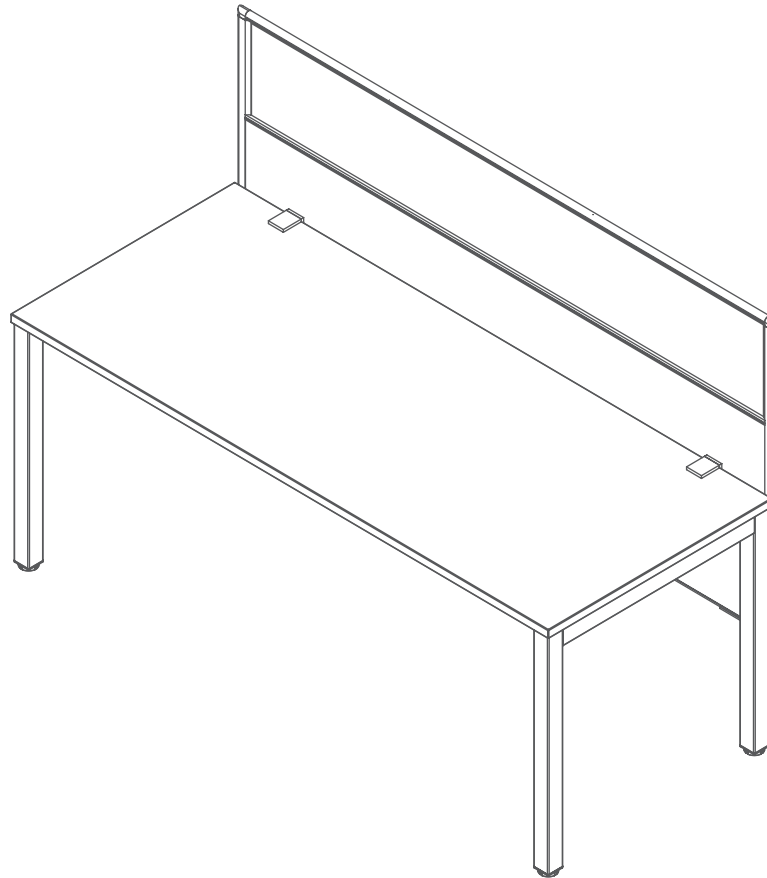


# Optional Axis Standard Hung Screen

Assembly Instructions

---

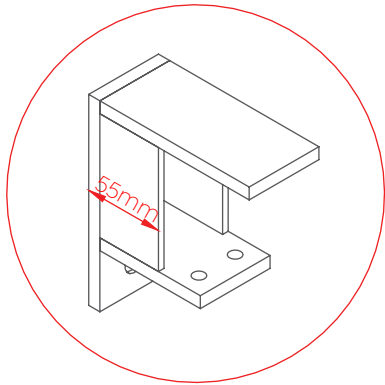
**Complete:**



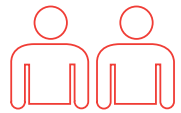


# Optional Axis Offset Hung Screen

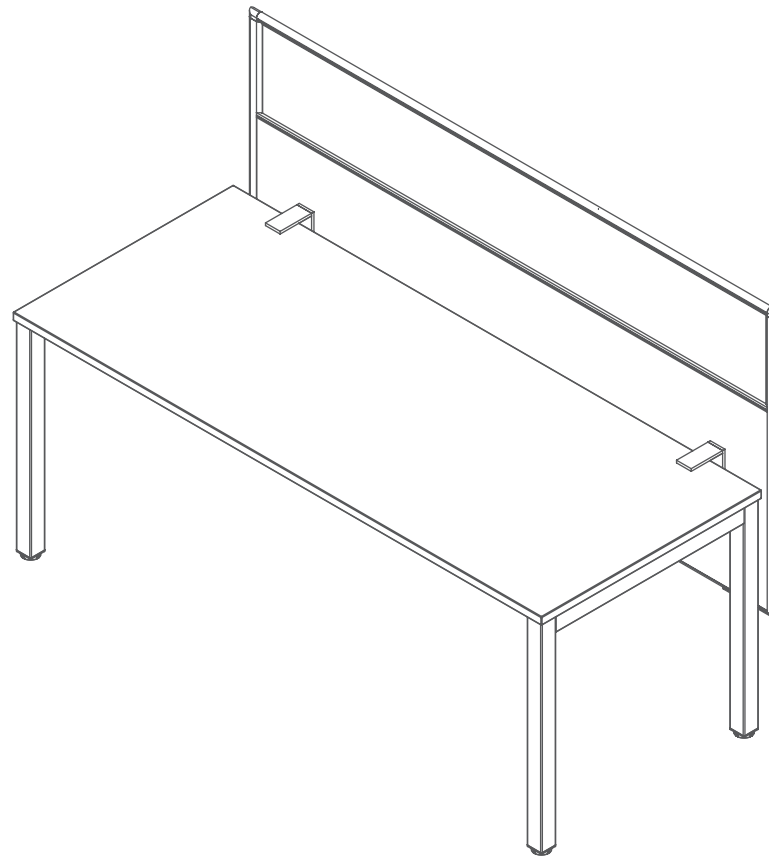
Assembly Instructions



Standard Screen Bracket:  
AX77SCR955



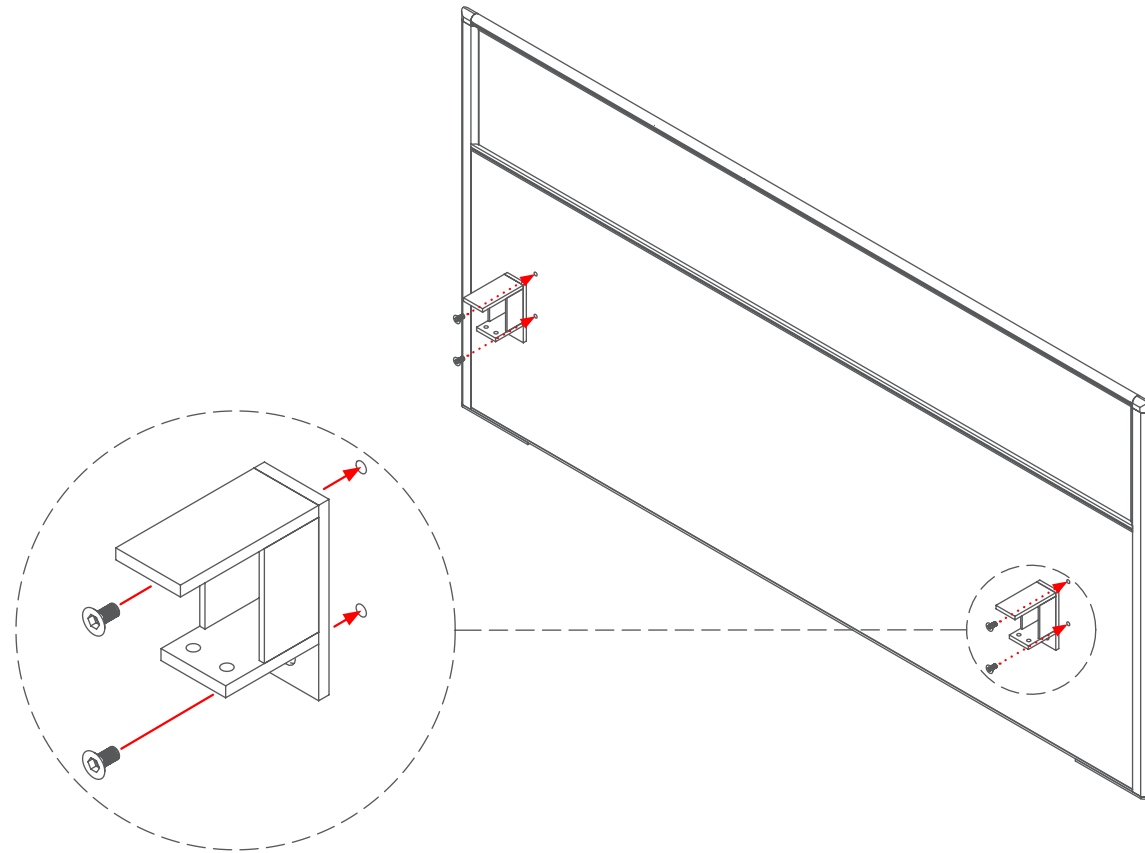
Recommended  
2 - person Step



# Optional Axis Standard Hung Screen

Assembly Instructions

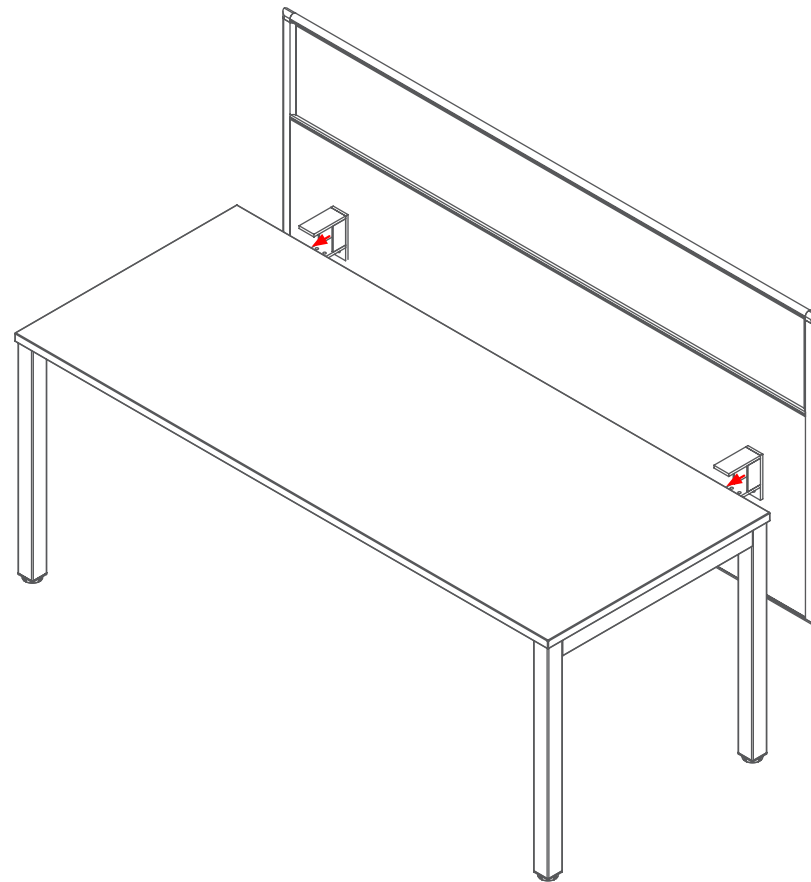
## STEP 1:



# Optional Axis Offset Hung Screen

Assembly Instructions

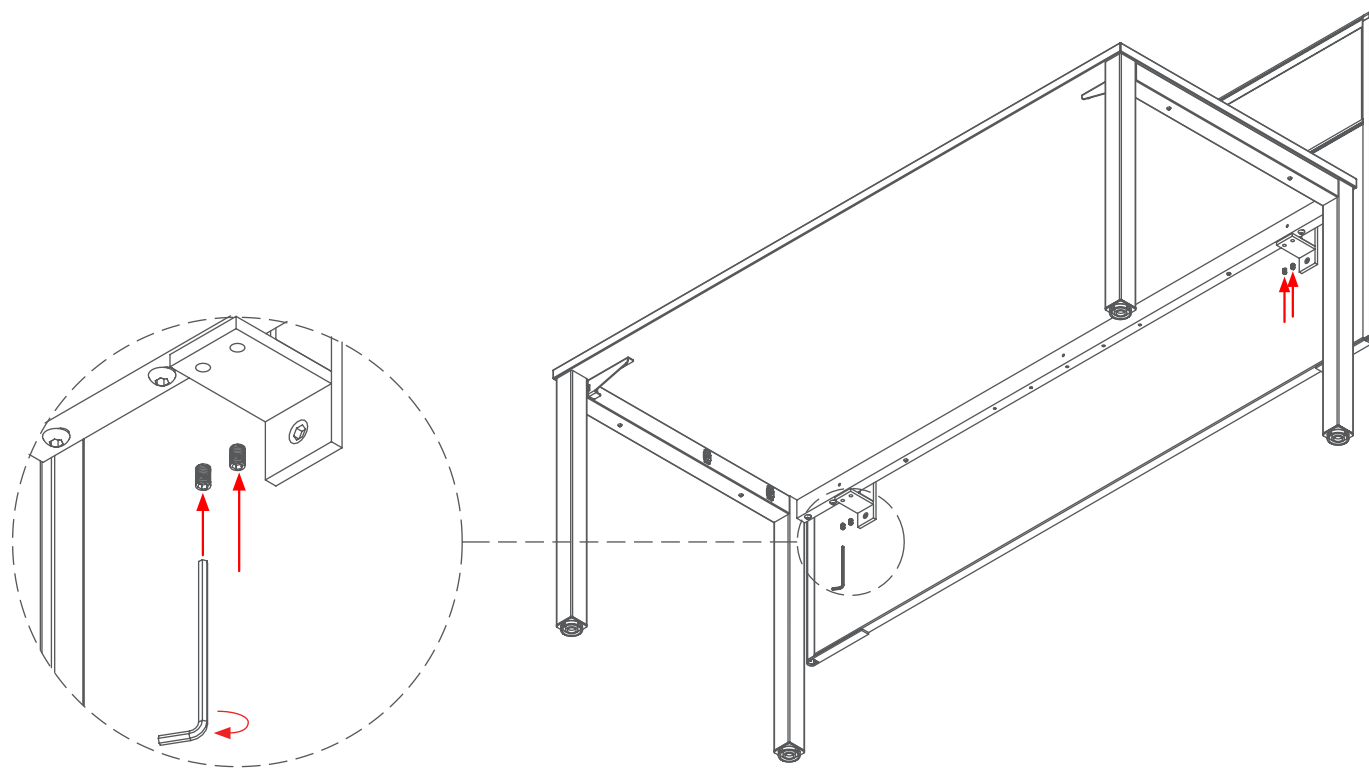
## STEP 2:



# Optional Axis Standard Hung Screen

Assembly Instructions

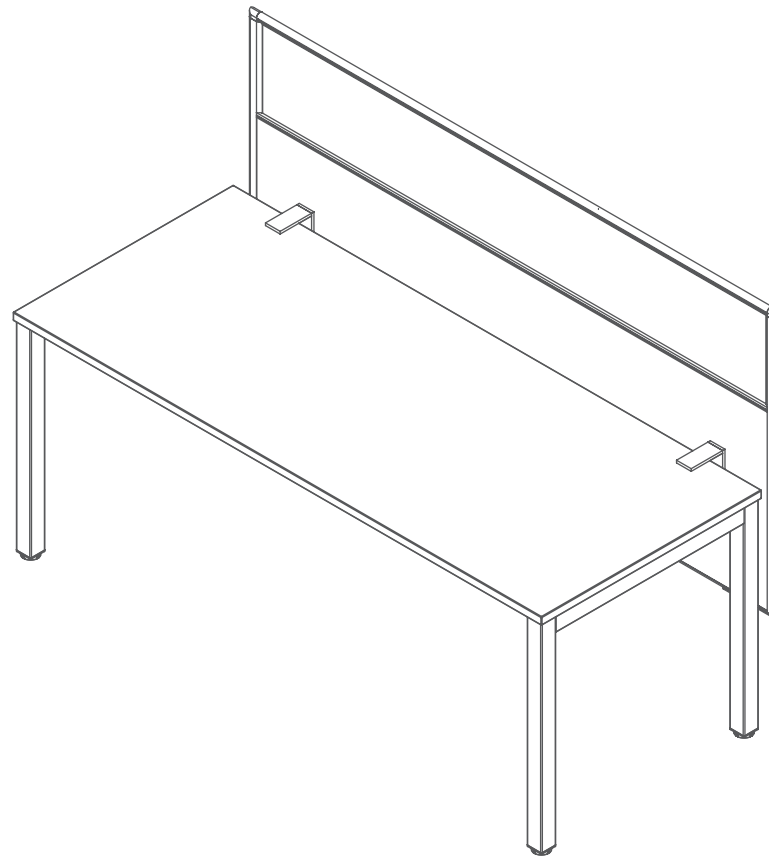
## STEP 3:



# Optional Axis Offset Hung Screen

Assembly Instructions

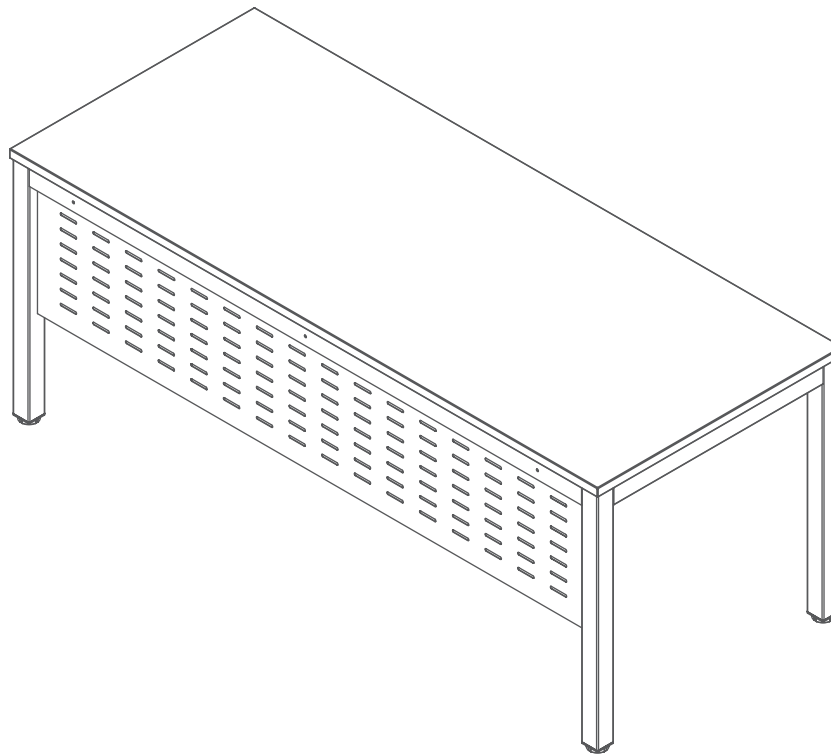
**Complete:**



# Optional Axis with Metal Modesty Panel

Assembly Instructions

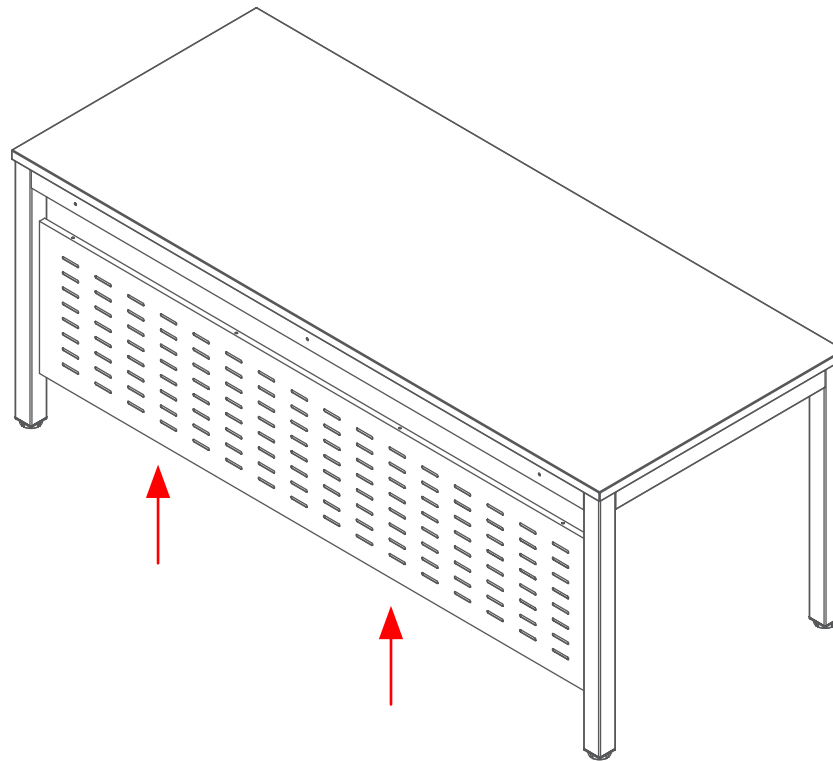
---



# Optional Axis with Metal Modesty Panel

Assembly Instructions

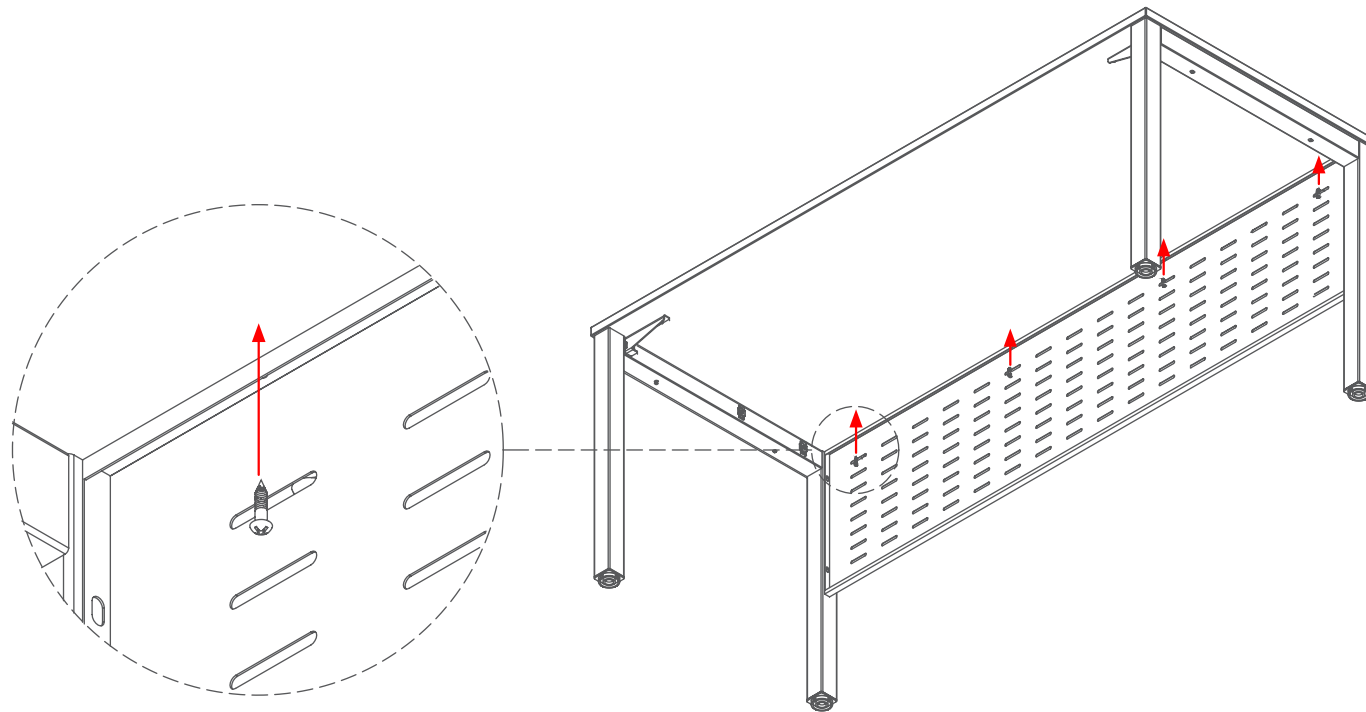
**STEP 1:**



# Optional Axis with Metal Modesty Panel

Assembly Instructions

## STEP 2:

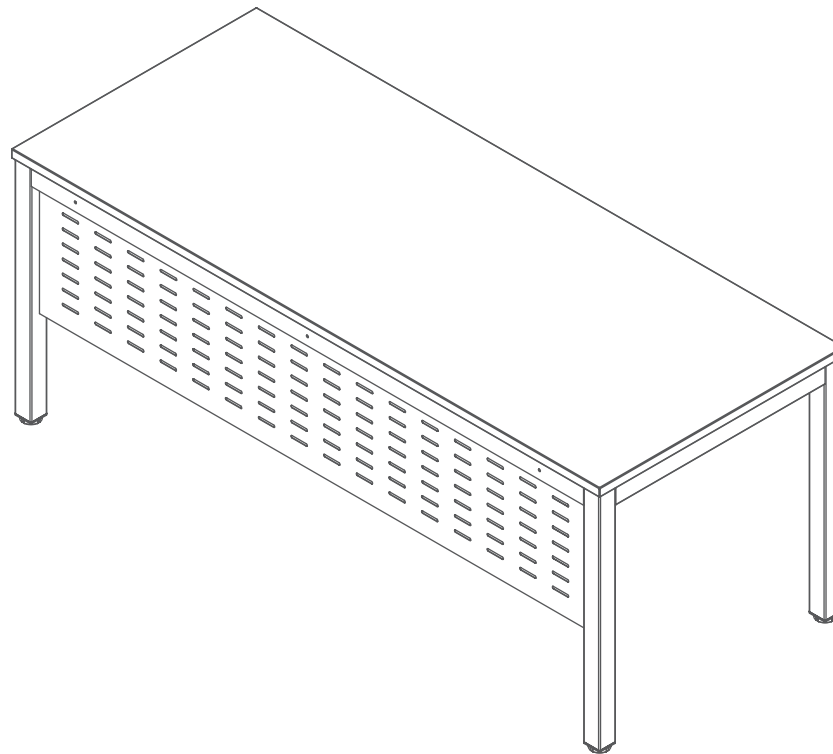




# Optional Axis with Metal Modesty Panel

Assembly Instructions

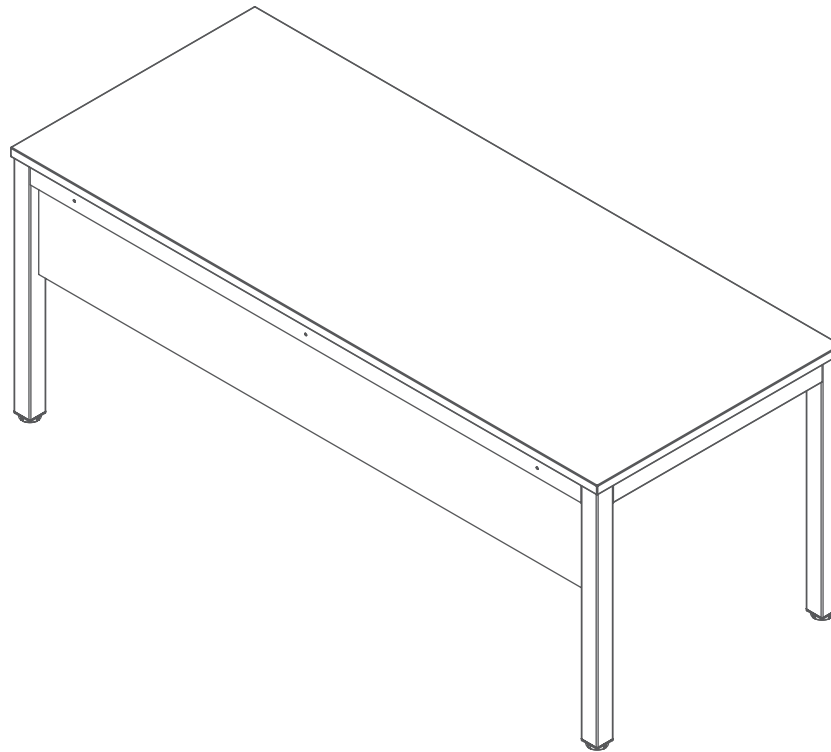
**Complete:**



# Optional Axis with Melamine Modesty Panel

Assembly Instructions

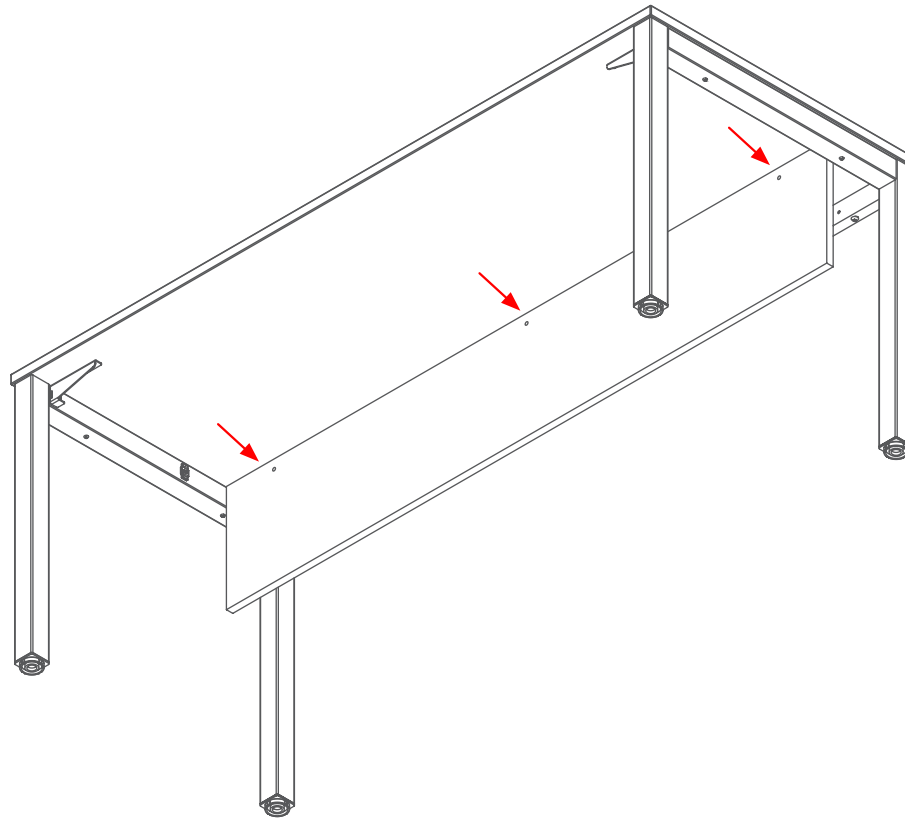
---



# Optional Axis with Melamine Modesty Panel

Assembly Instructions

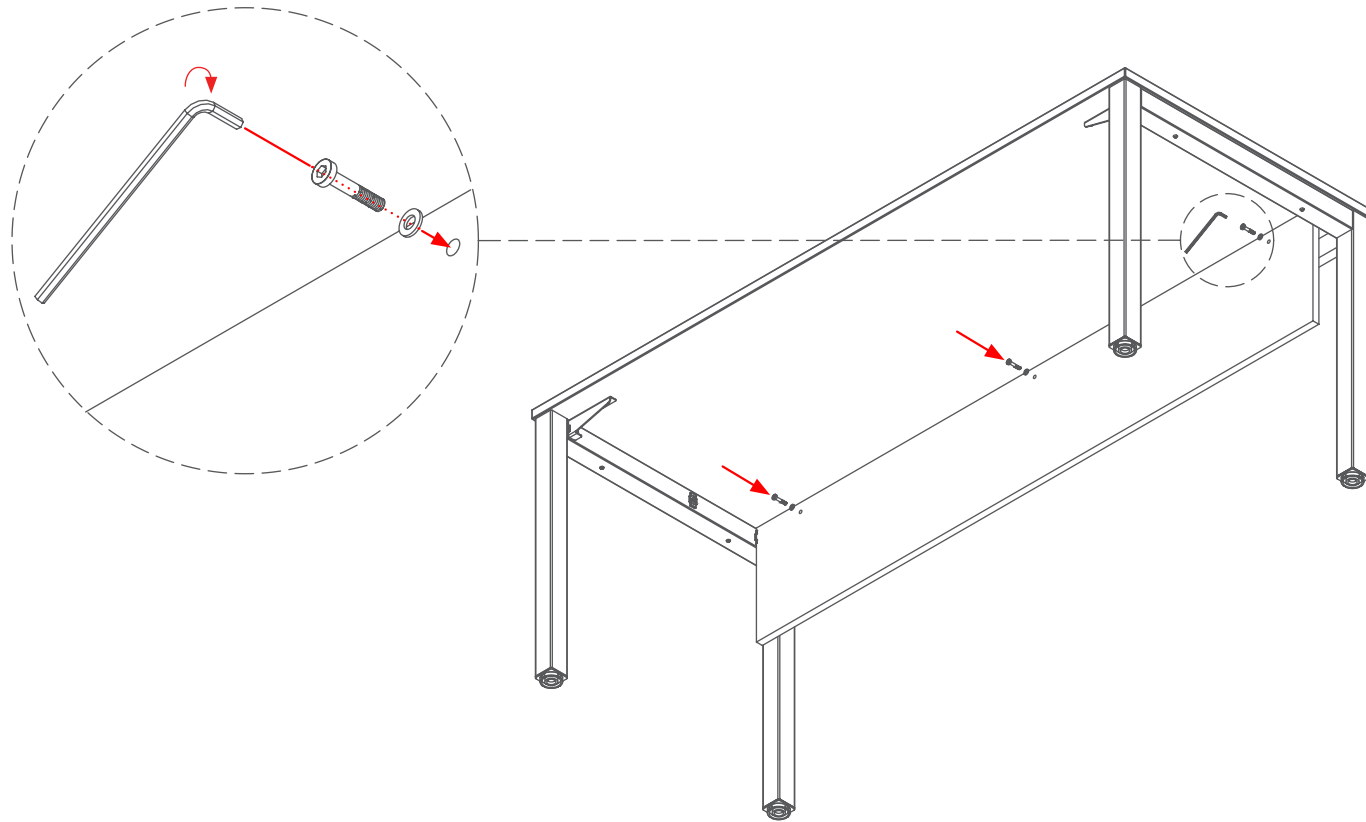
## STEP 1:



# Optional Axis with Melamine Modesty Panel

Assembly Instructions

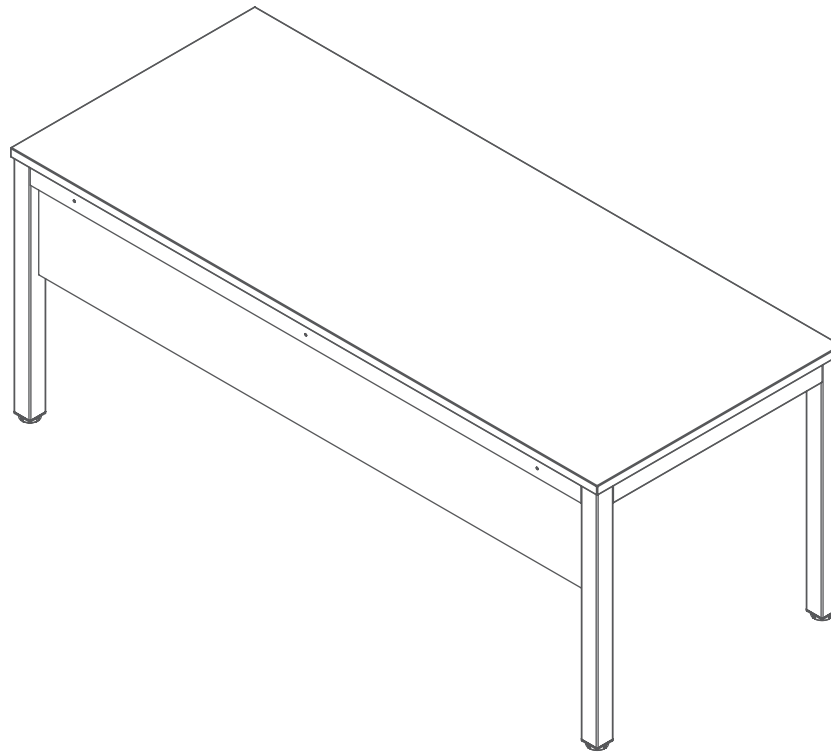
## STEP 2:



# Optional Axis with Melamine Modesty Panel

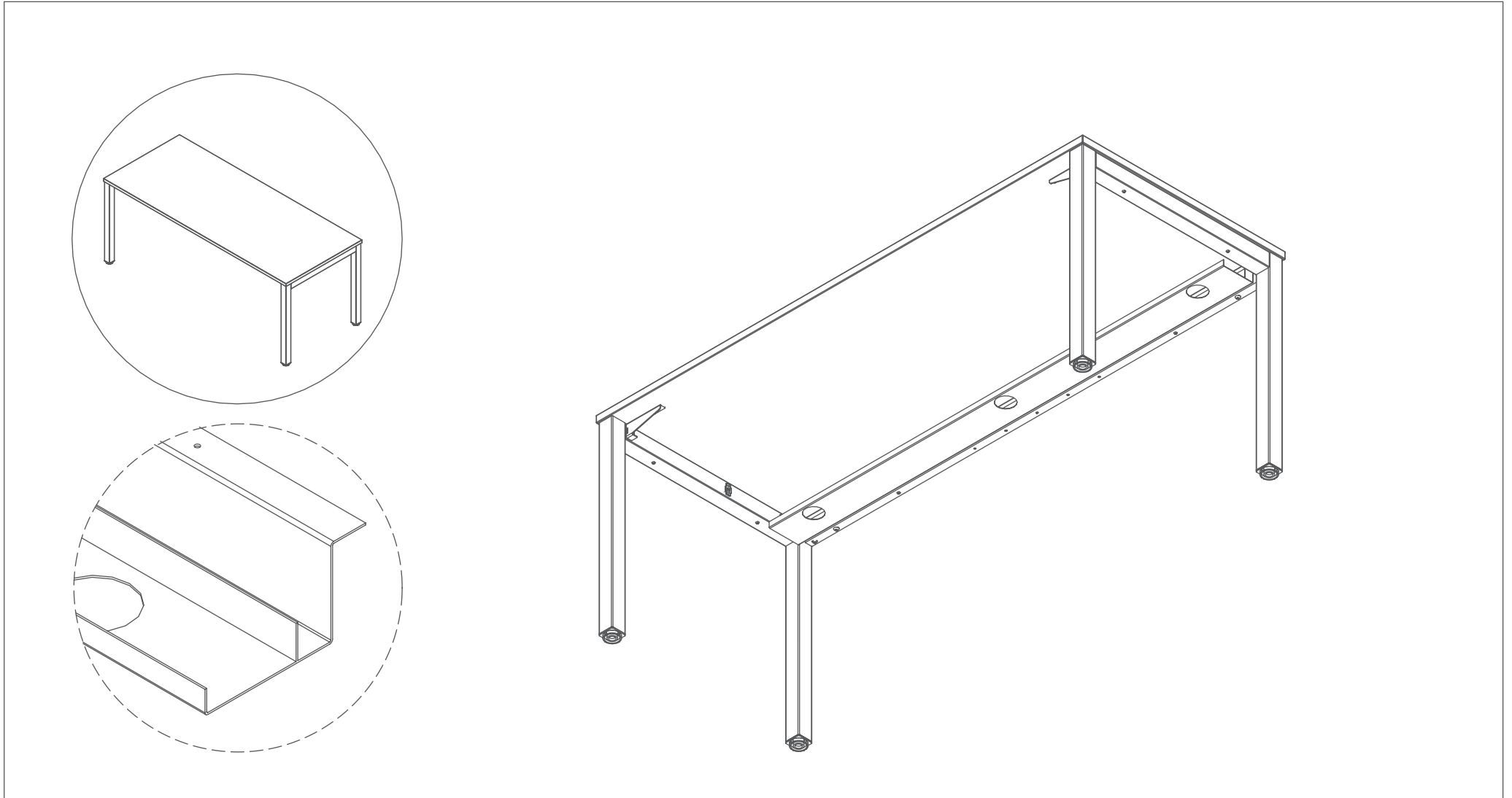
Assembly Instructions

**Complete:**



# Optional Cable Dump Tray with Top Lip Fixing

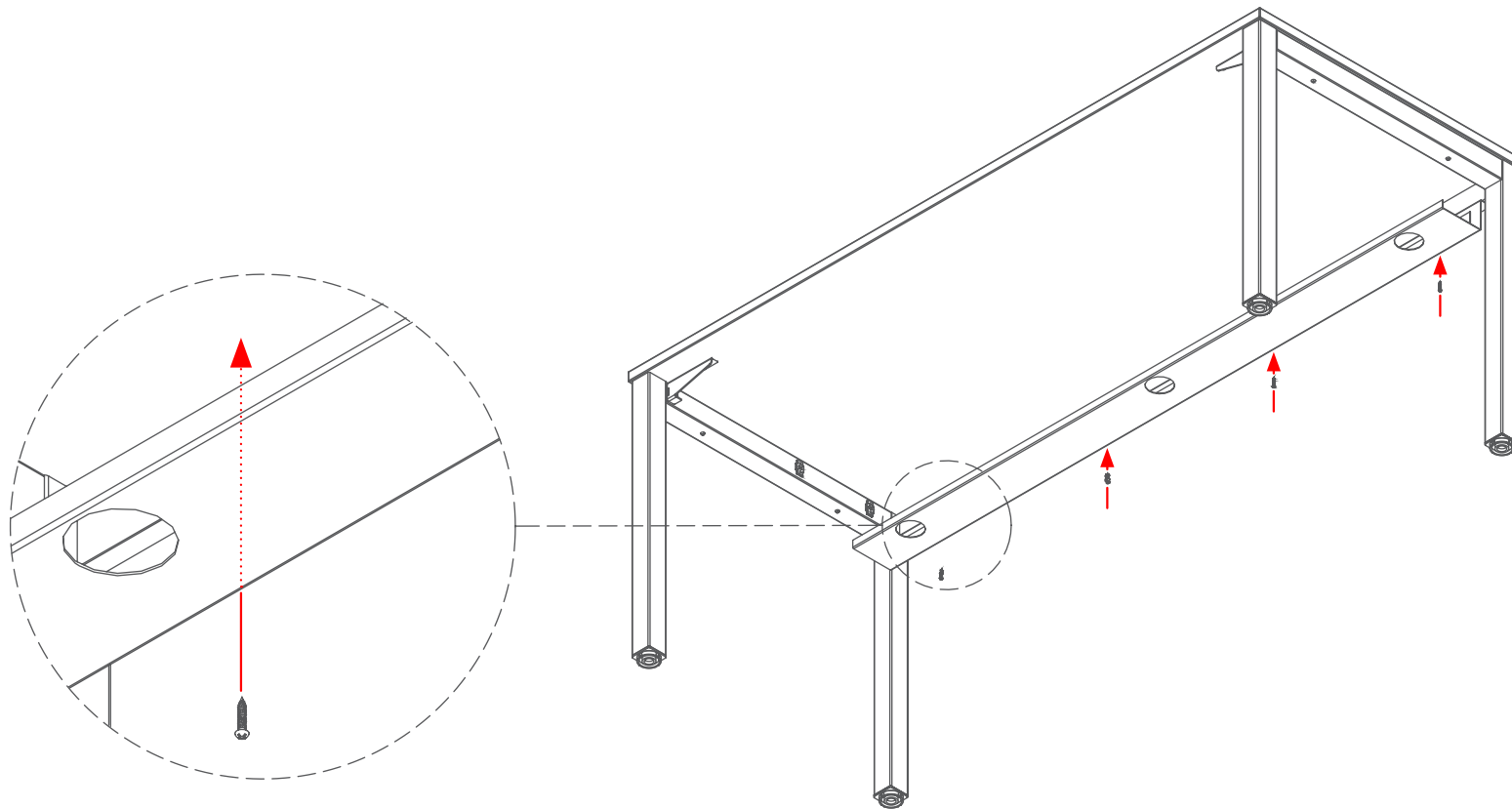
Assembly Instructions



# Optional Cable Dump Tray with Top Lip Fixing

Assembly Instructions

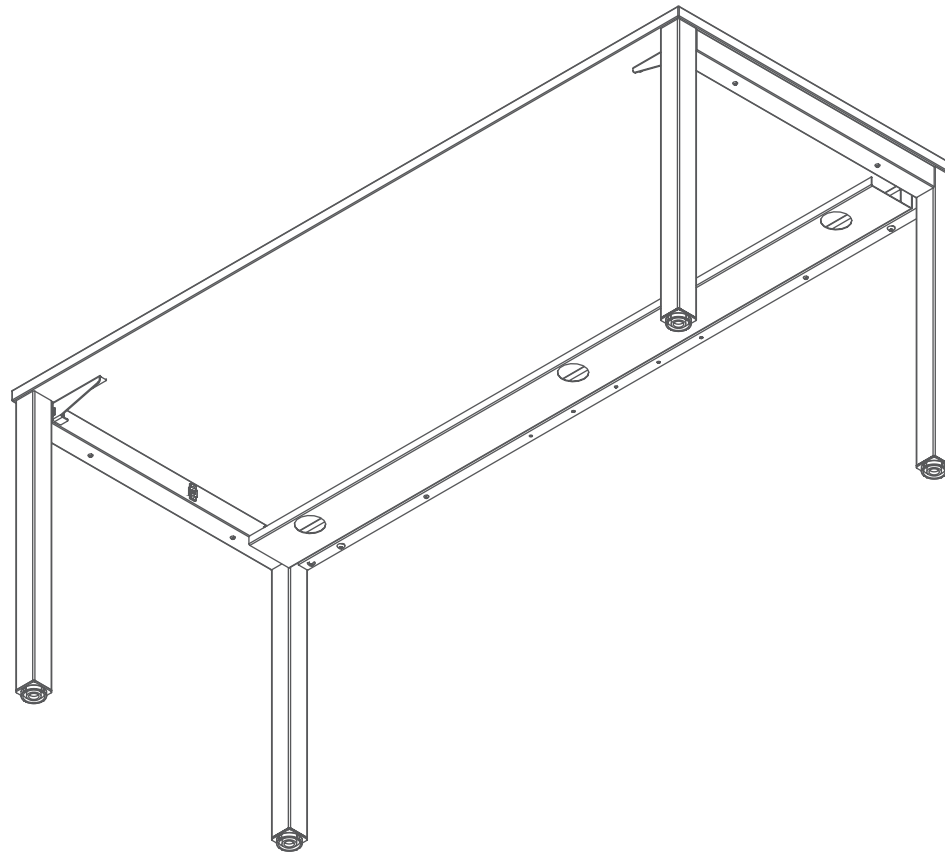
**STEP 1:**



# Optional Cable Dump Tray with Top Lip Fixing

Assembly Instructions

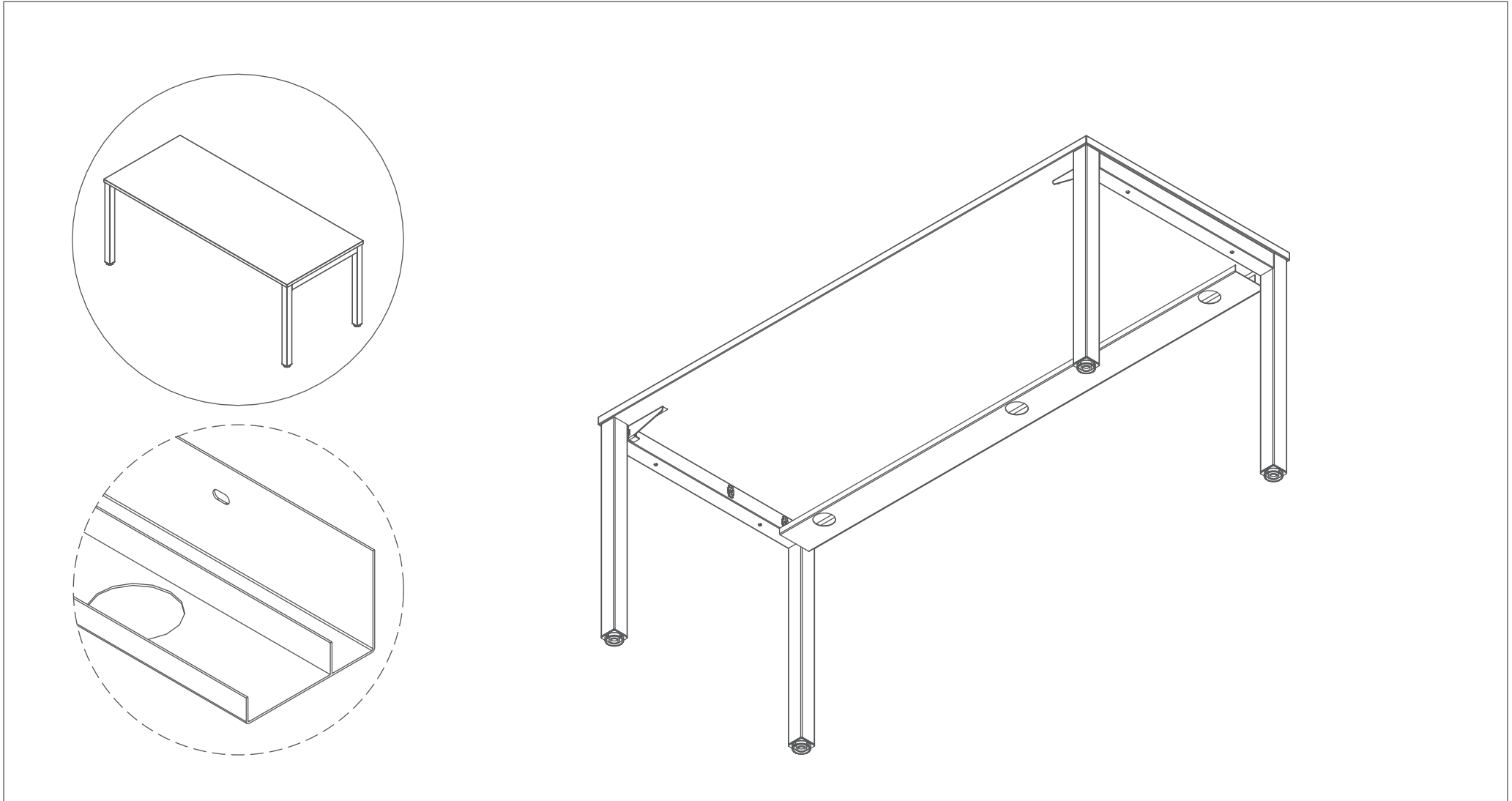
**Complete:**





# Optional Cable Dump Tray with Side Fixing

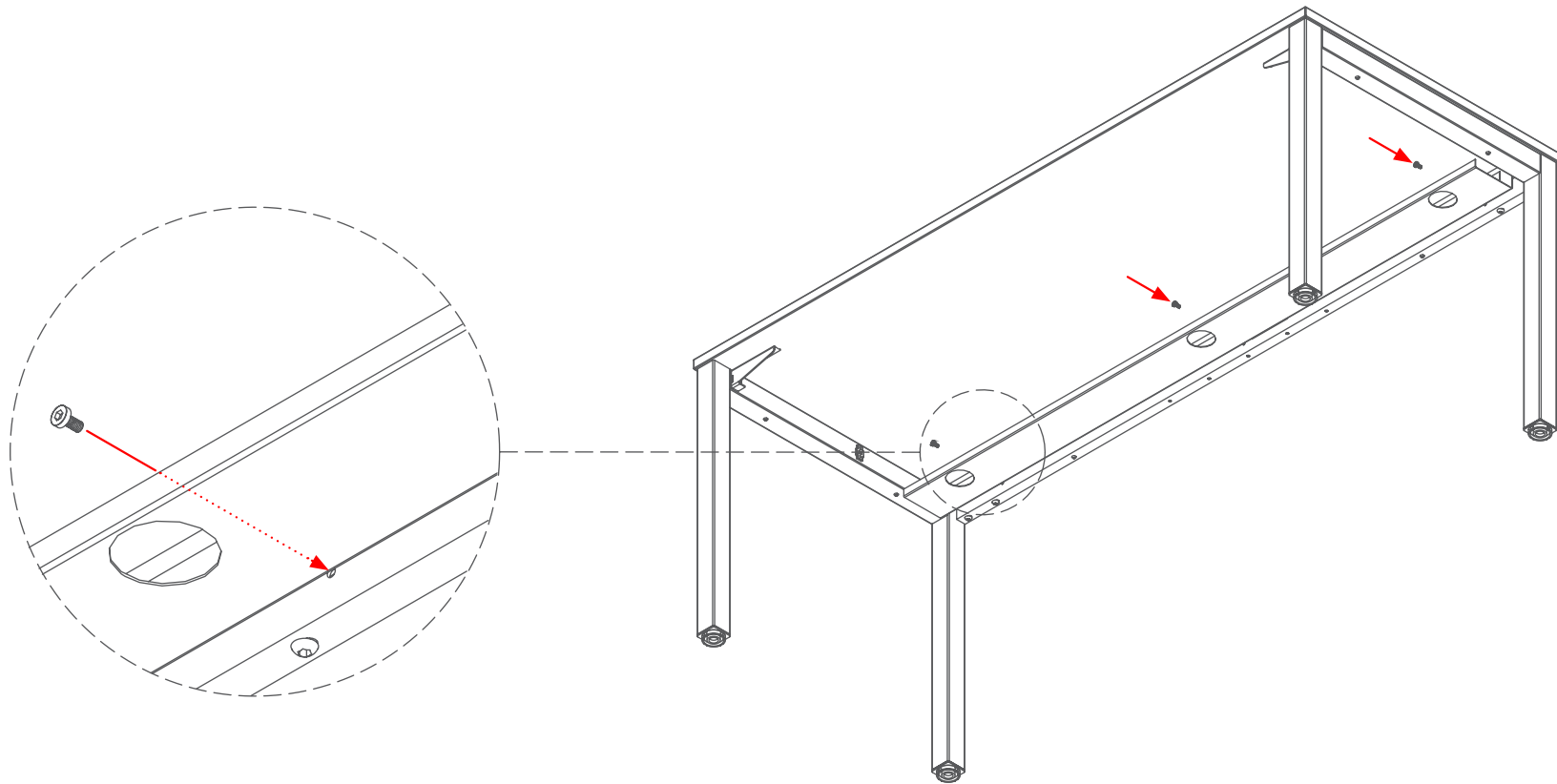
Assembly Instructions



# Optional Cable Dump Tray with Top Lip Fixing

Assembly Instructions

**STEP 1:**



# Optional Cable Dump Tray with Side Fixing

Assembly Instructions

**Complete:**

