

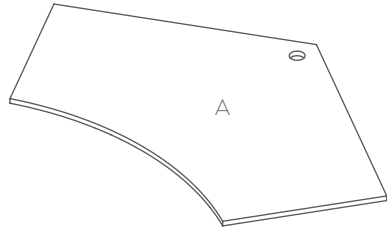
---

## Axis 120° Single Workspace

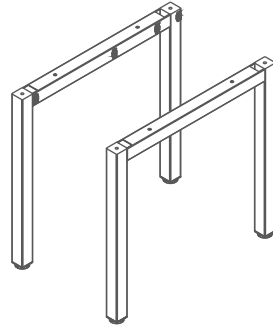
Assembly Instructions

# Axis 120° Single Workspace

## Components List

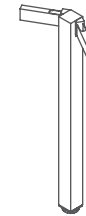


Axis Worktop



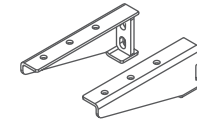
1 x L & R Leg Pair

EL



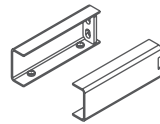
1 x 1 - Way 120° Leg

SL



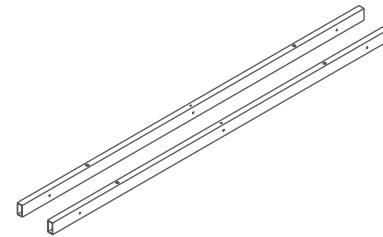
1 x Pair AXKDBRAC

B



1 x Pair AXKDSPIGE

C



2 x Rail

R



12 - M6 x 20



8 - M8 x 16



6 - ST6 x 23

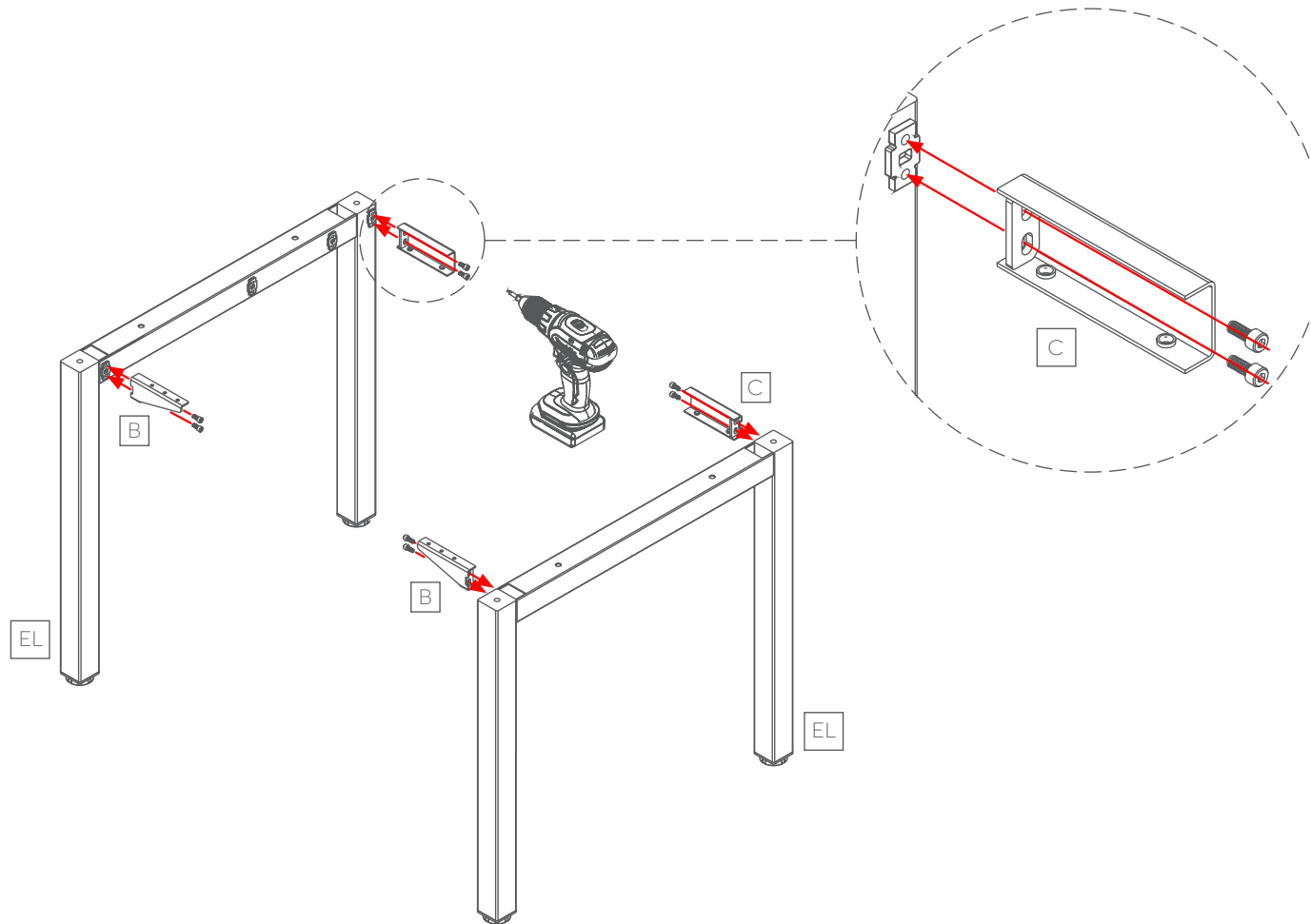
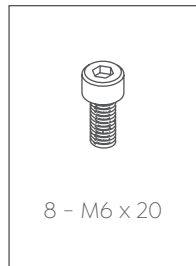


8 - ST5 x 70

# Axis 120° Single Workspace

Assembly Instructions

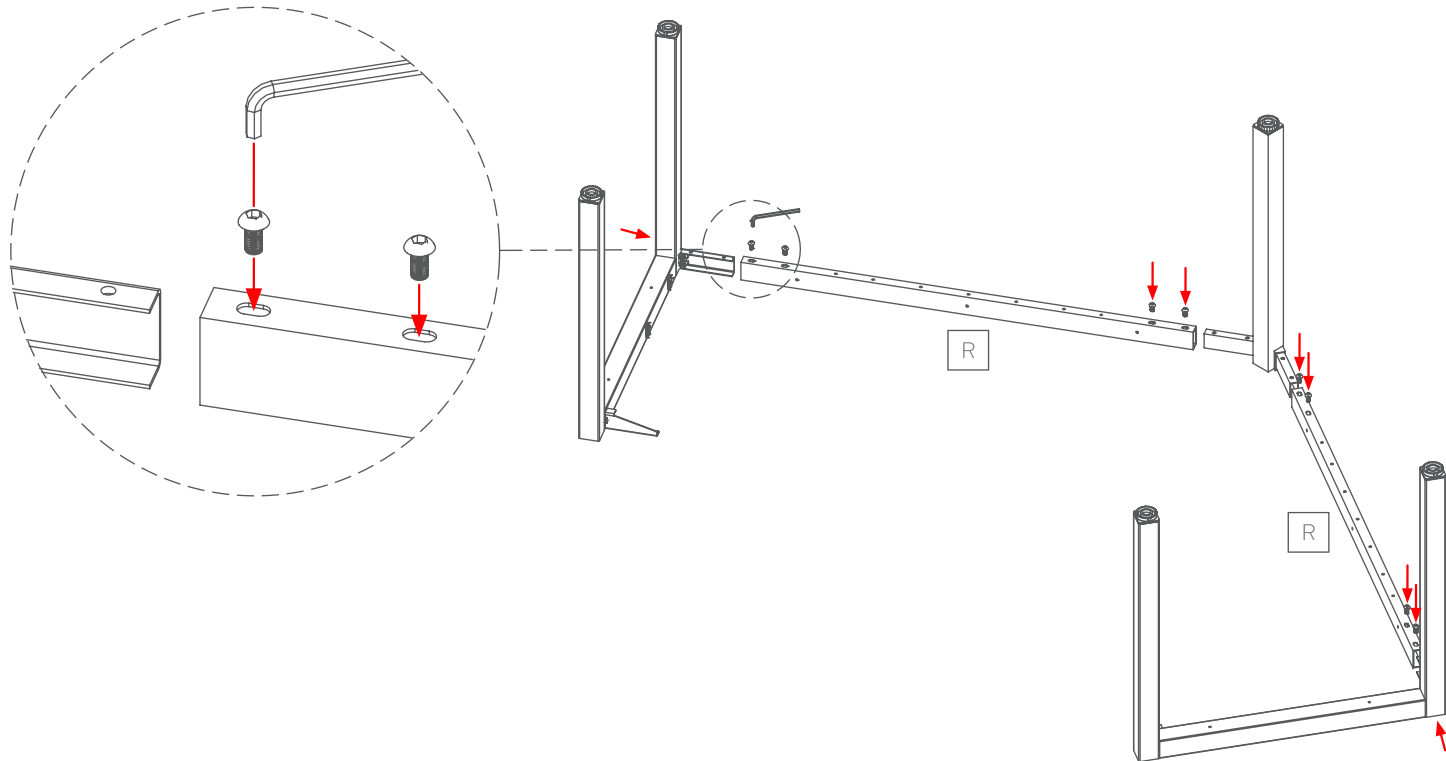
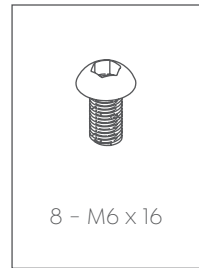
## STEP 1:



# Axis 120° Single Workspace

## Assembly Instructions

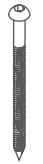
### STEP 2:



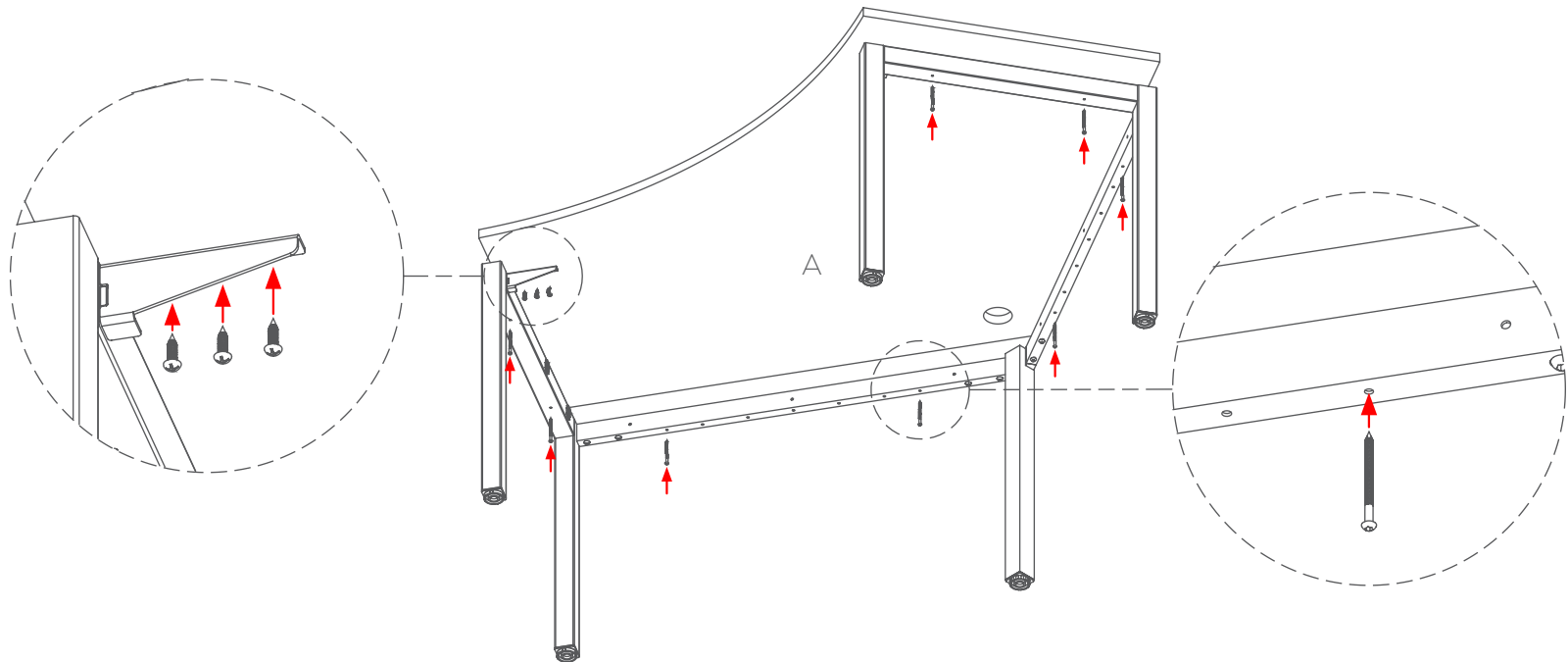
## STEP 3:



6 - ST6 x 23



8 - ST5 x 70



# Axis 120° Single Workspace

Assembly Instructions

---

**Complete:**

