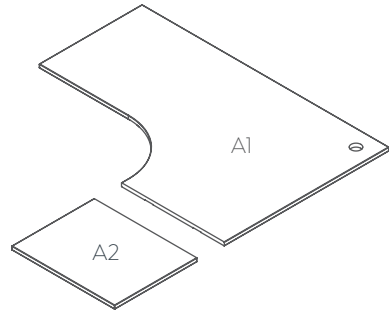


Axis 90° Single Workspace

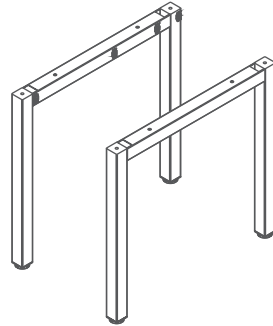
Assembly Instructions

Axis 90° Single Workspace

Components List



Axis Worktop



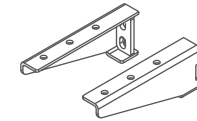
1 x L & R Leg Pair

EL



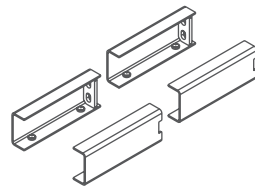
1 x 1 - Way 90° Leg

SL



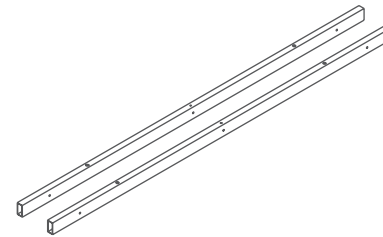
1 x Pair AXKDBRAC

B



2 x Pair AXKDSPIGE

C



2 x Rail

R



12 - M6 x 20



8 - M8 x 16



6 - ST6 x 23

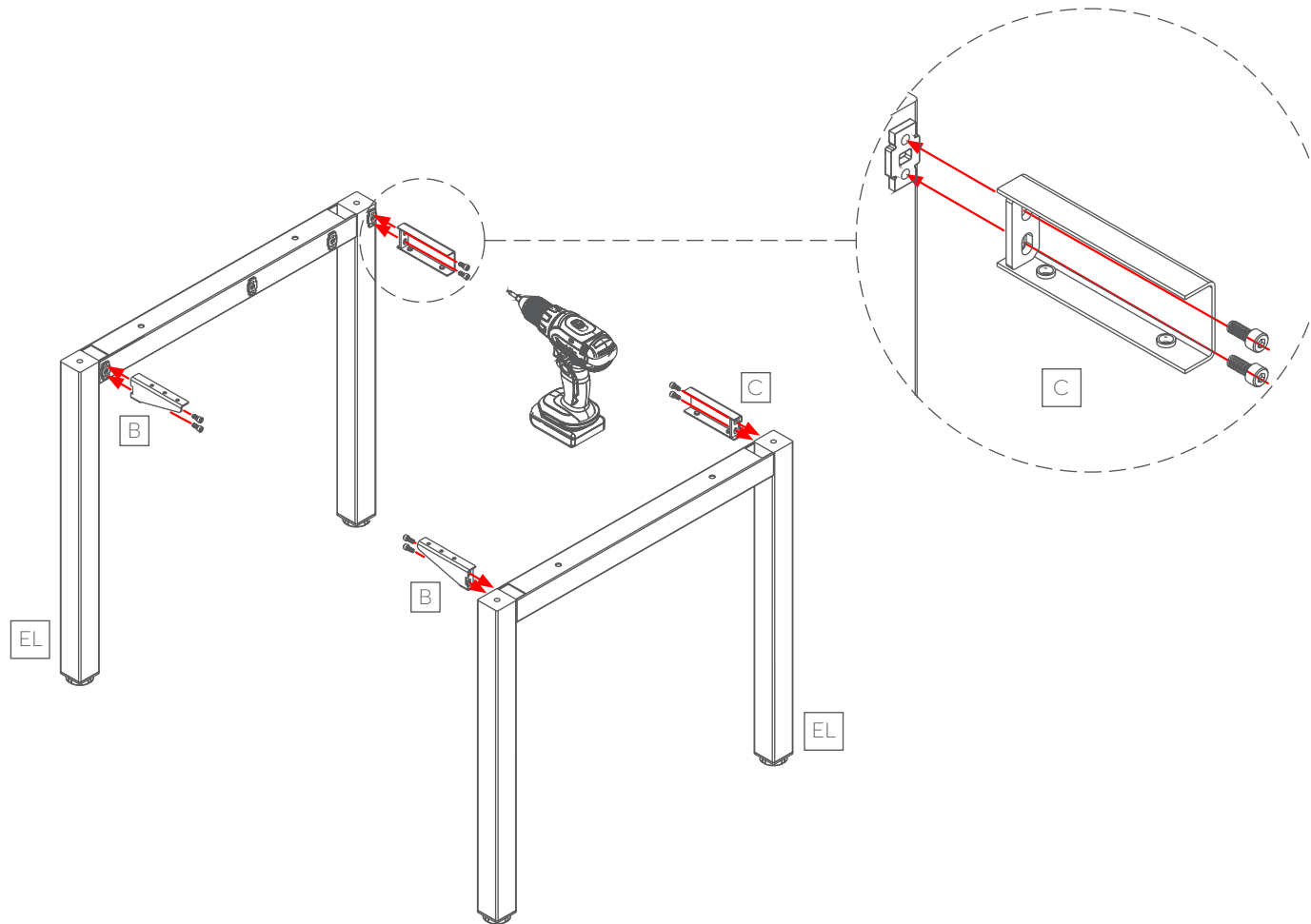
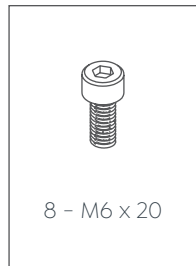


8 - ST5 x 70

Axis 90° Single Workspace

Assembly Instructions

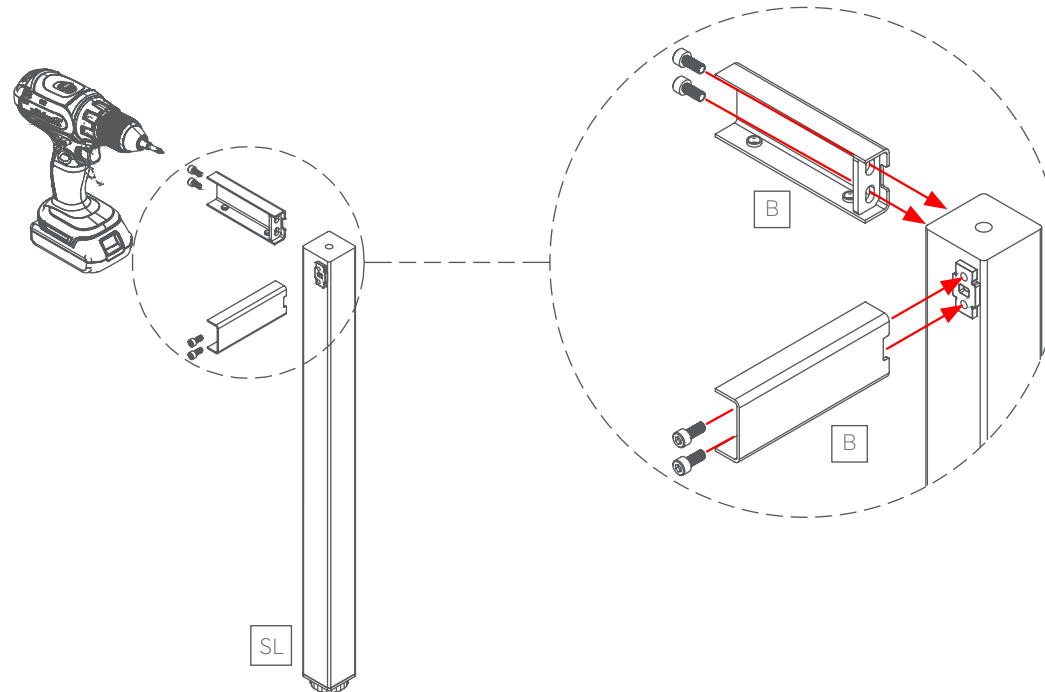
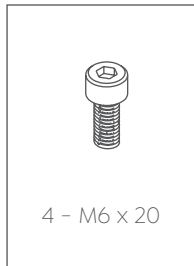
STEP 1:



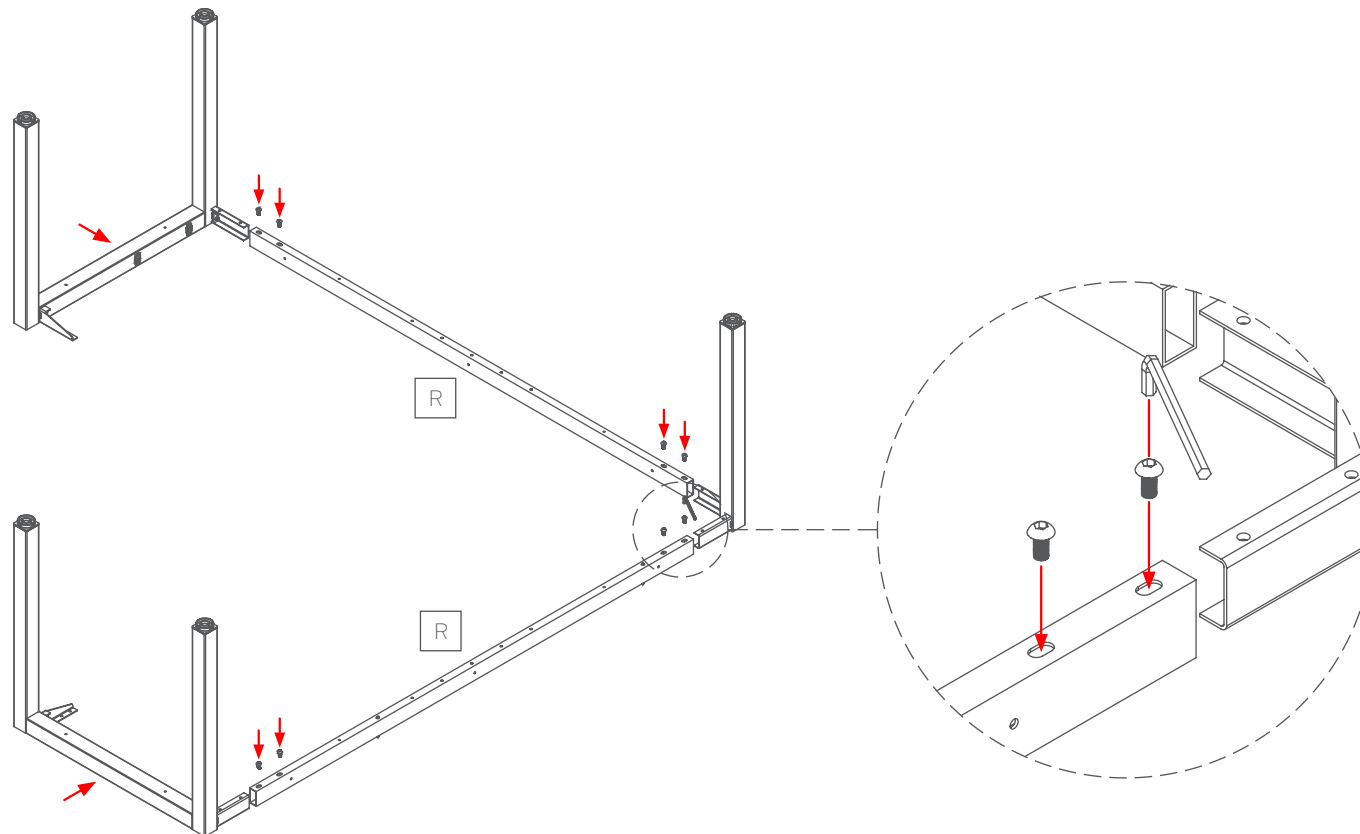
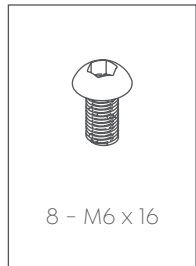
Axis 90° Single Workspace

Assembly Instructions

STEP 2:



STEP 3:



Axis 90° Single Workspace

Assembly Instructions

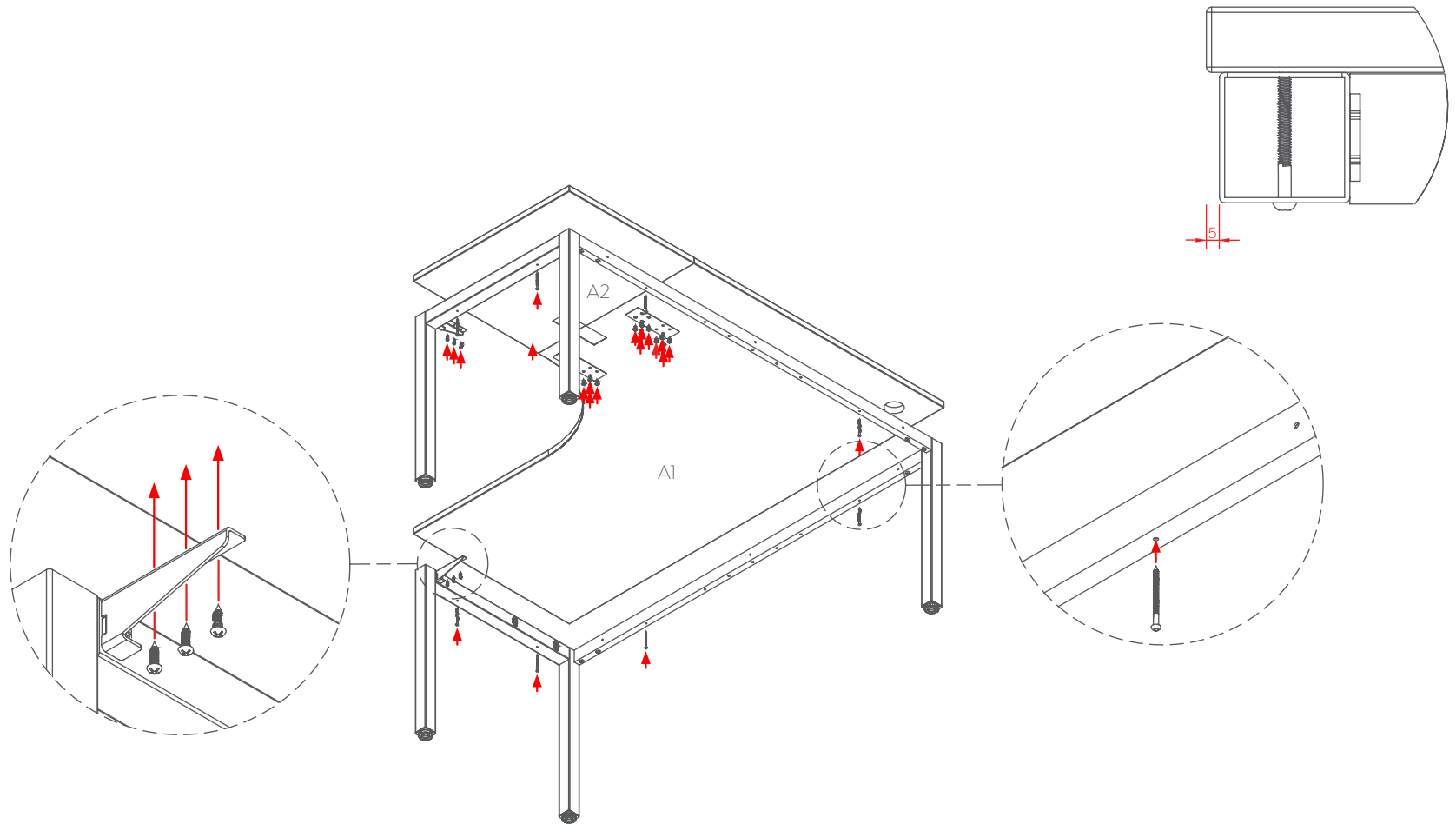
STEP 4:



6 - ST6 x 23



8 - ST5 x 70



Axis 90° Single Workspace

Assembly Instructions

Complete:

