

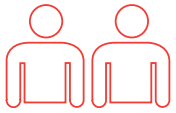


Axis Small Meeting Table

Assembly Instructions

Axis Small Meeting Table

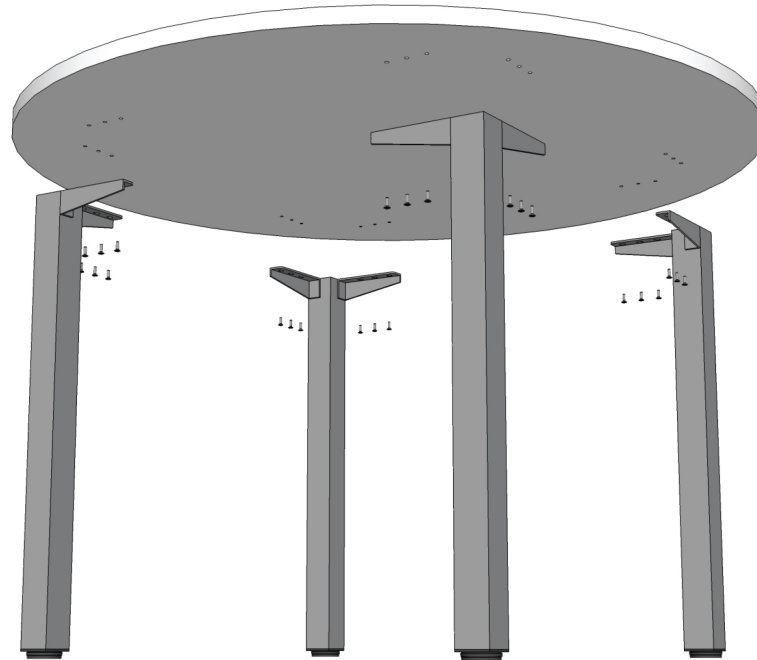
Assembly Instructions



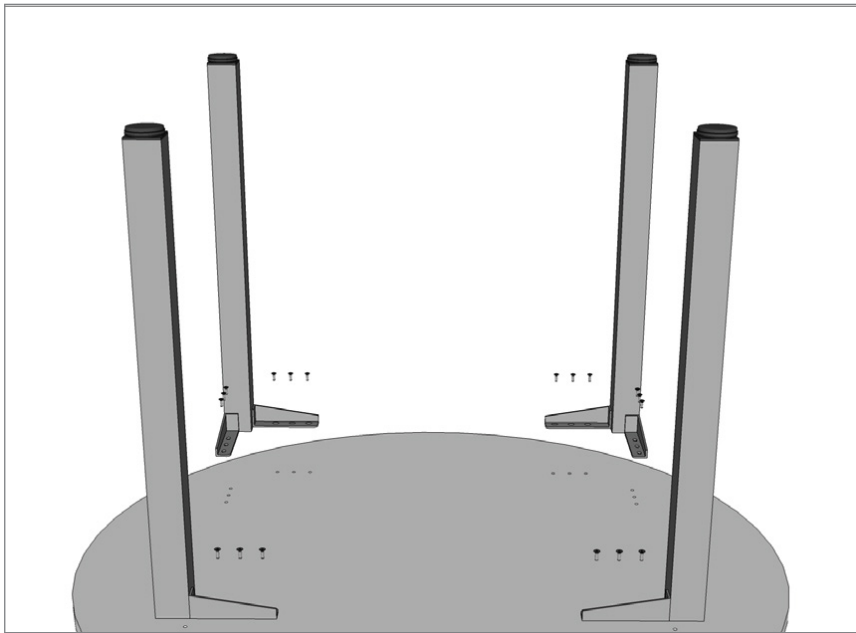
Recommended
2-person step

* To prevent possible scratches or damage, assemble the table upside down on a soft surface such as a blanket, carpet or packaging.

* Attach Leg to the Top assembly by using Bolts, spring washer, flat washer. Tighten using the Allen Wrench provided.

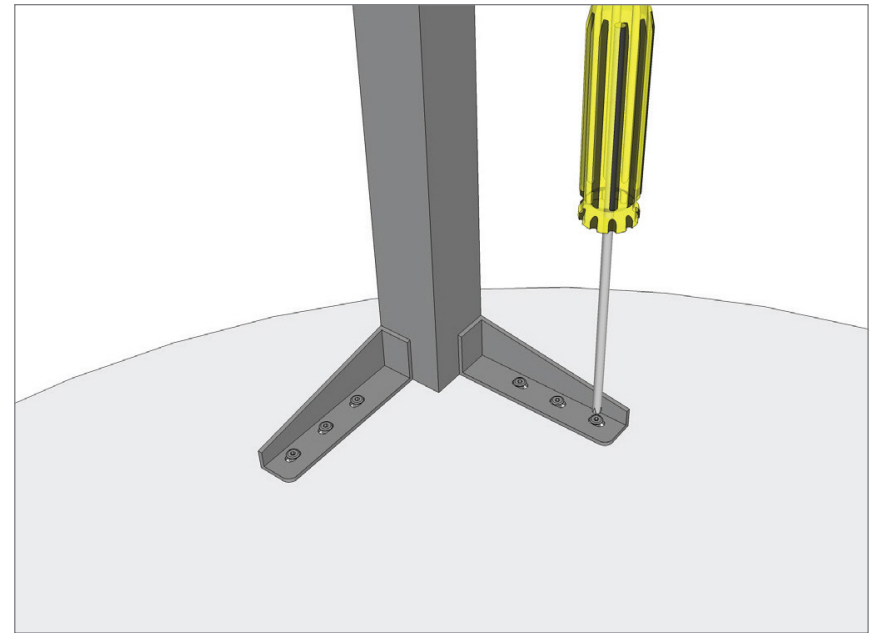


STEP 1:



Place the legs to the desk top.

STEP 2:



Fully tighten all legs to desk top with provided screws.

Axis Small Meeting Table

Assembly Instructions

Complete:

