

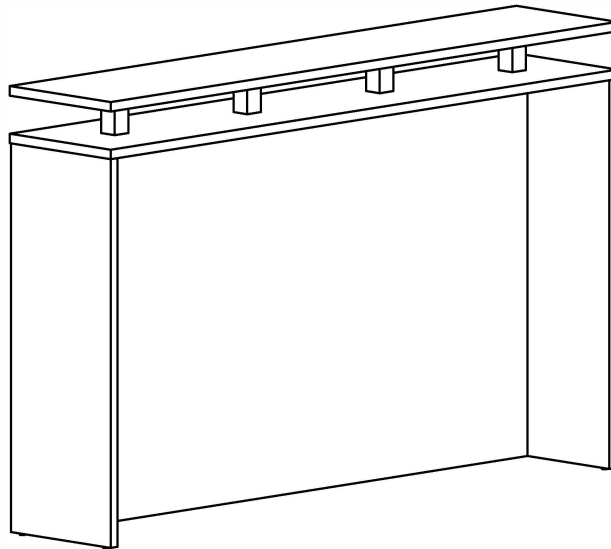


ASSEMBLY INSTRUCTION

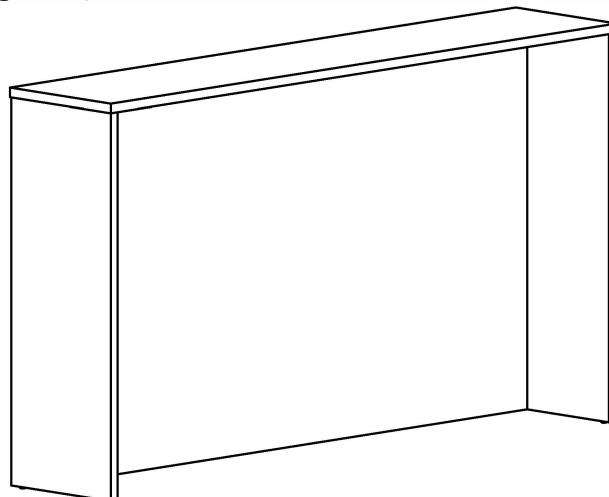
AXIS Reception Counter Main

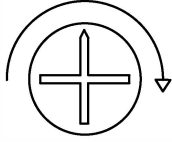
ITEM No.:AXRPDN18 & AXRDN18

OPTION 1 (see page 4-6)



OPTION 2 (see page 7-9)



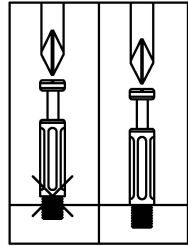


The turning direction of attaching

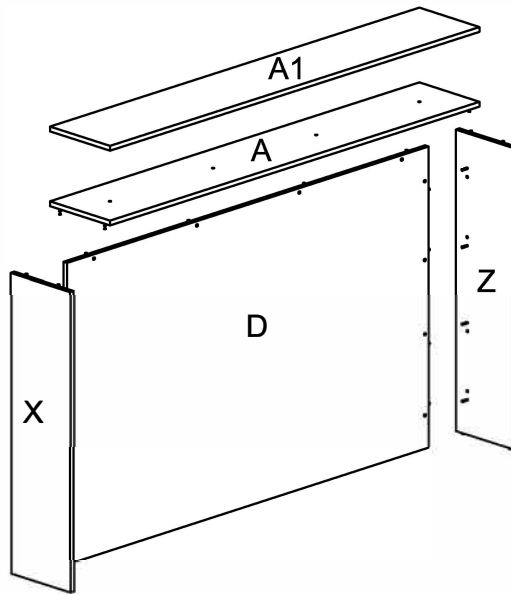


The arrow direction=front

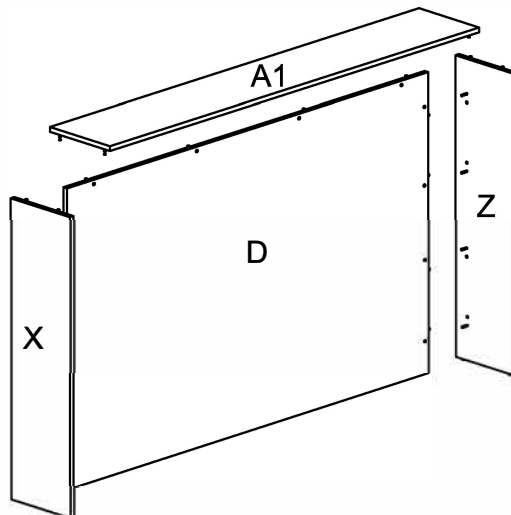
Incorrect Correct



OPTION 1



OPTION 2



PARTS LIST

| ITEM | DESCRIPTION | QTY. | ITEM | DESCRIPTION | QTY. |
|------|------------------|------|-------|-----------------------|------|
| A1 | Top panel | 1 | (c1) | 6*35 Cam Bolt | 16 |
| A | Top panel | 1 | (d1) | 8*30 Dowel pin | 16 |
| X | Left side panel | 1 | (c2) | (5/8") Cam Cover | 16 |
| Z | Right side panel | 1 | (p15) | Metal Stand | 4 |
| D | Back panel | 1 | (w1) | Washer | 4 |
| | | | (s20) | 6*90 Hexagon Fix Bolt | 4 |
| | | | (s15) | Spanner | 1 |



(c1) 6*35 Cam Bolt-16



(d1) 8*30 Dowel Pin-16



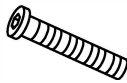
(c2) (5/8") Cam Cover-16



(p15) Metal Stand -4



(w1) Washer-4

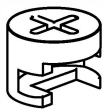


(s20) 6*90 Hexagon Fix Bolt-4



(s15) Spanner -1

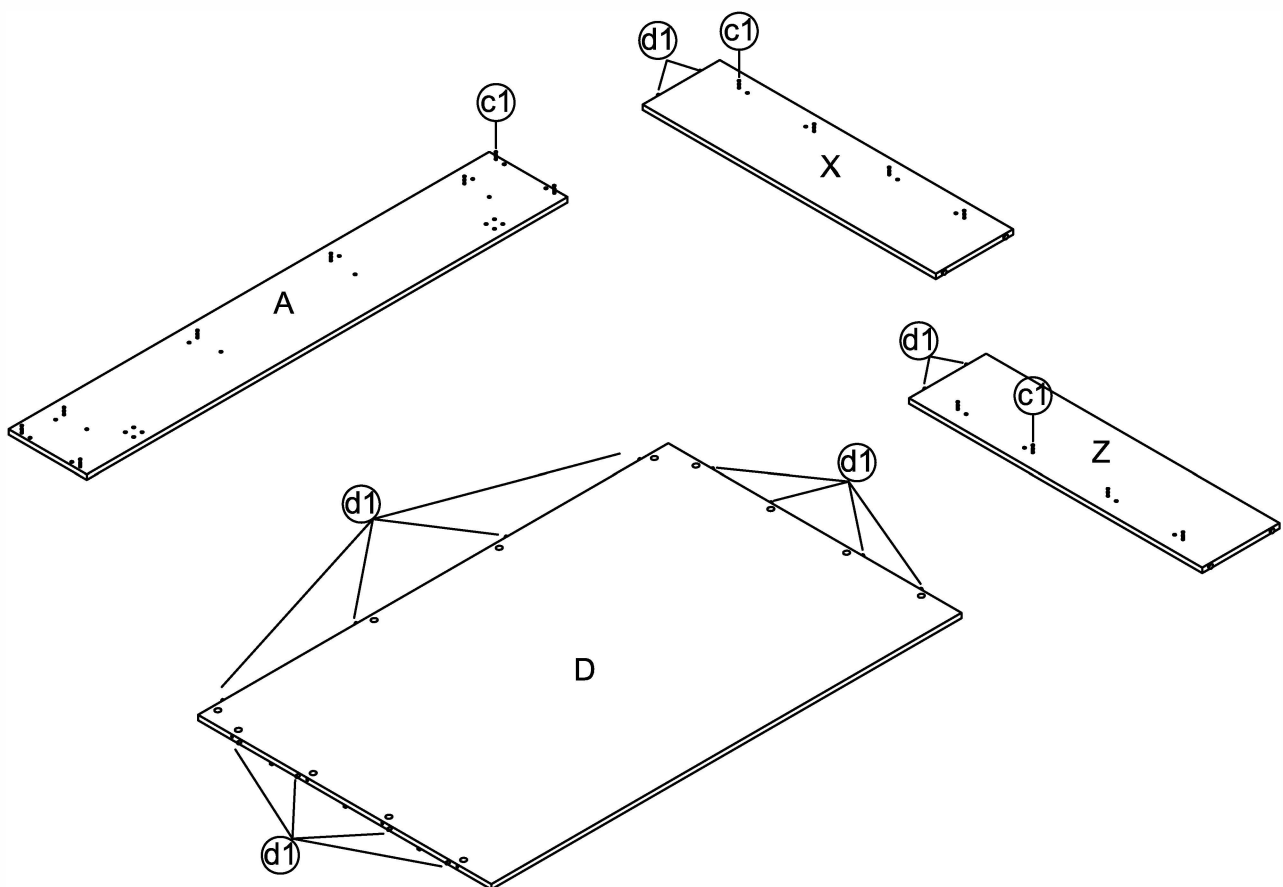
Pre-installed parts



(c5) Cam

OPTION 1

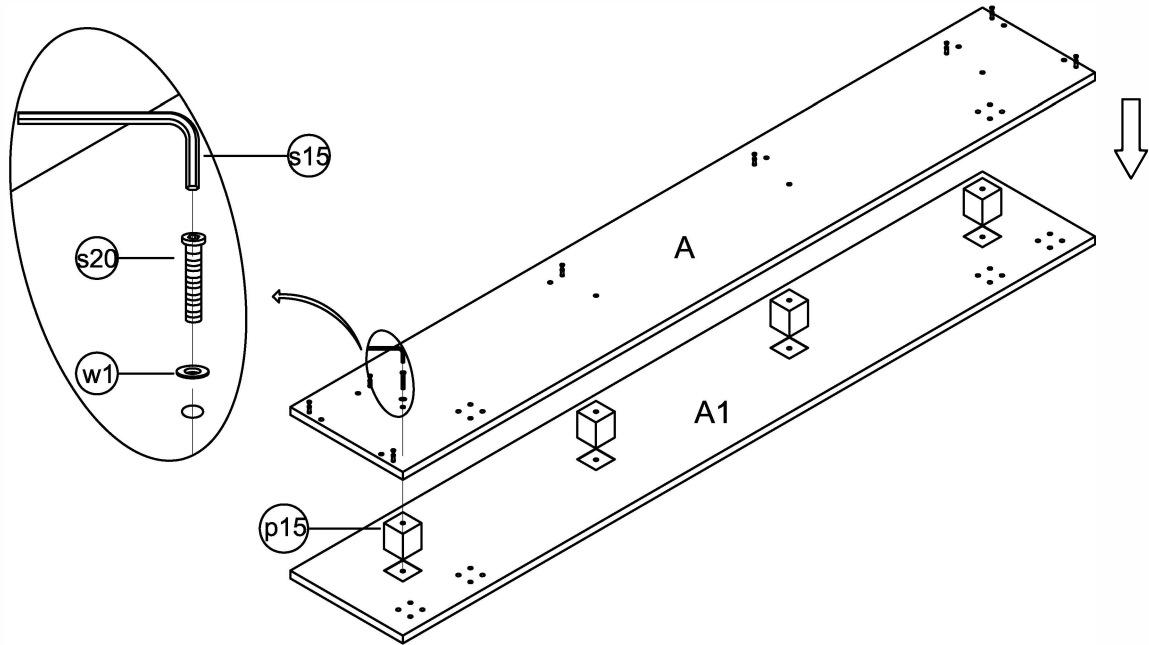
STEP 1



Preparation for Top panel A, Back panel D, Left side panel X, Right side panel Z .

1、 Insert cam bolts (c1) and dowel pins (d1) into panel A ,D,X and Z as illustrated above.

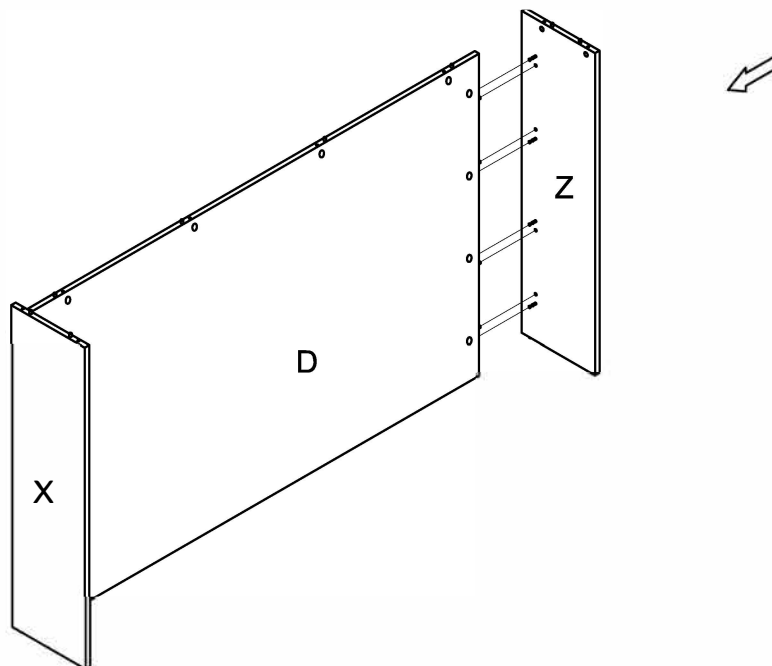
STEP 2



Top panel A and Top panel A1 assembly.

- 1、 Assemble Metal Stand (p15) with screws (s20) on Top panel A,A1.

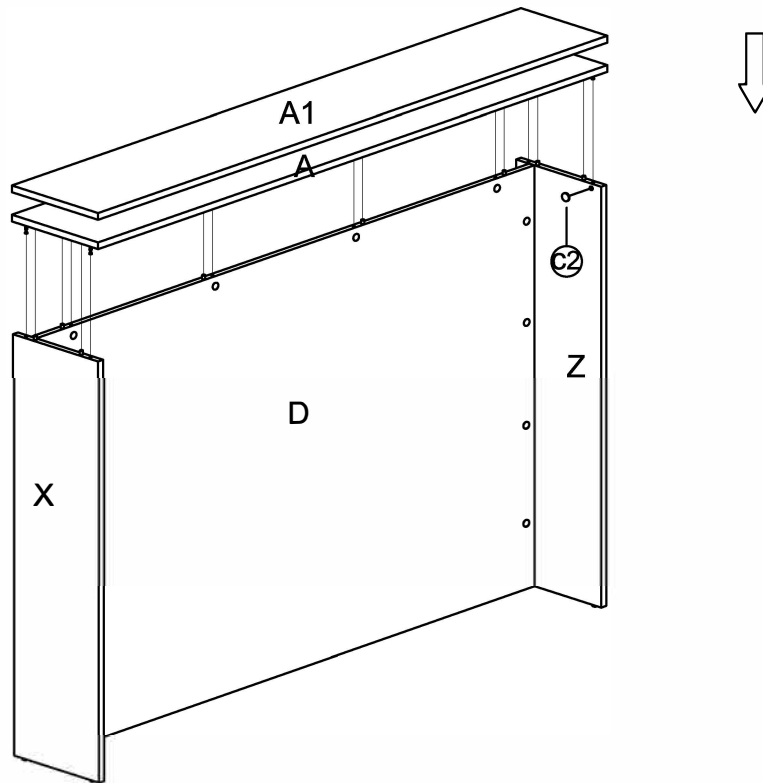
STEP 3



Back panel D,Left side panel X and Right side panel Z assembly.

- 1、 Insert cam bolts (c1) and dowel pins (d1) on panel X and Z into cams on panel D and tighten in a clockwise direction as illustrated above.

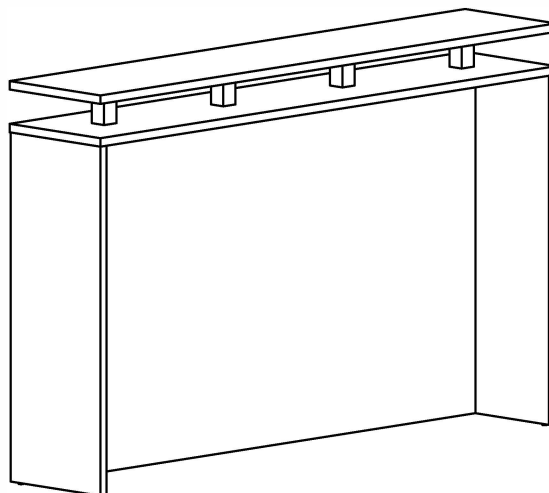
STEP 4



Top panel A and Back panel D, Left side panel X, Right side panel Z assembly.

1. Insert cam bolts (c1) and dowel pins (d1) on panel A into cams on panel X, Z and D and tighten in a clockwise direction as illustrated above.
2. Cover the cam covers (c2) on the top of cams.

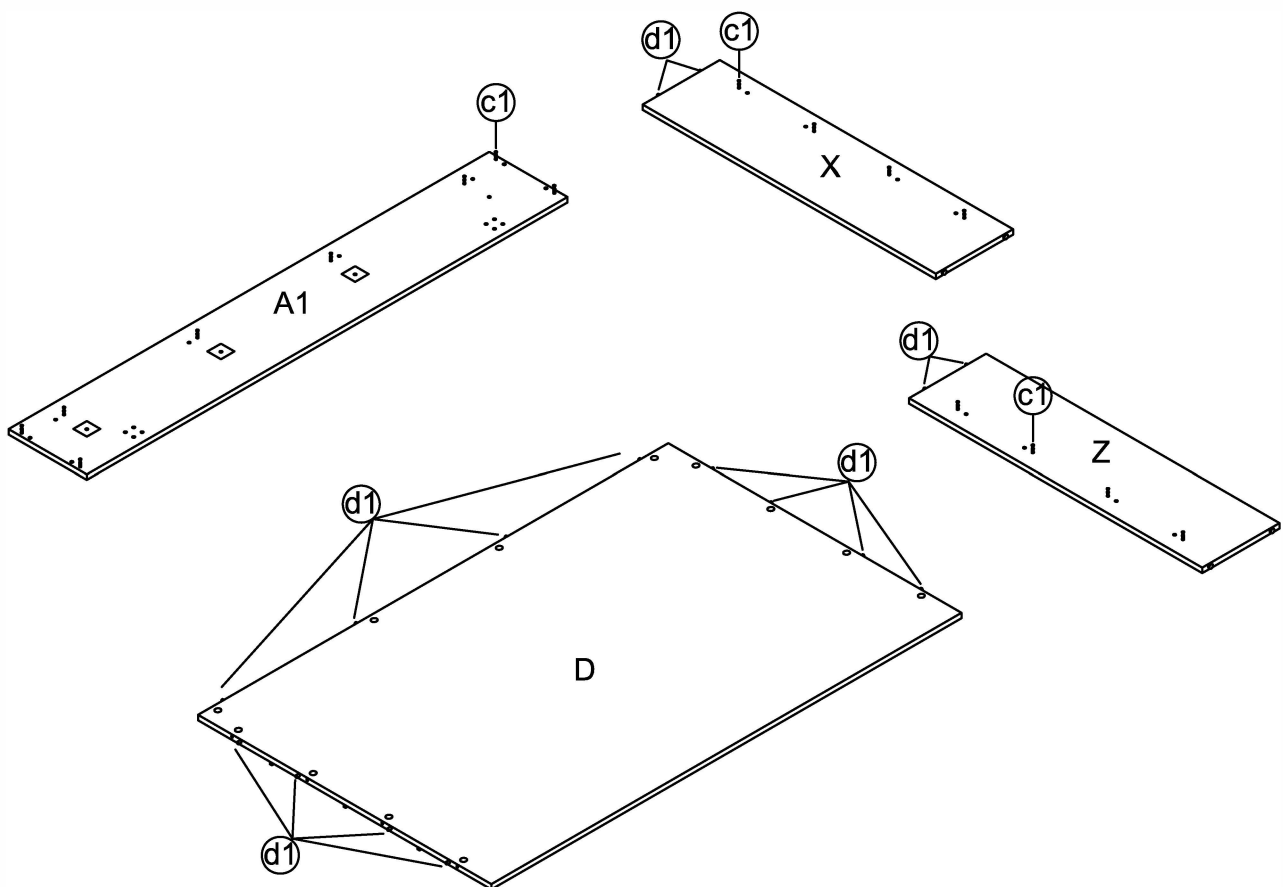
STEP 5



You have now successfully completed the assembly on item:
AXIS Reception Counter Main
ITEM No.:AXRPD18 & AXRD18

OPTION 2

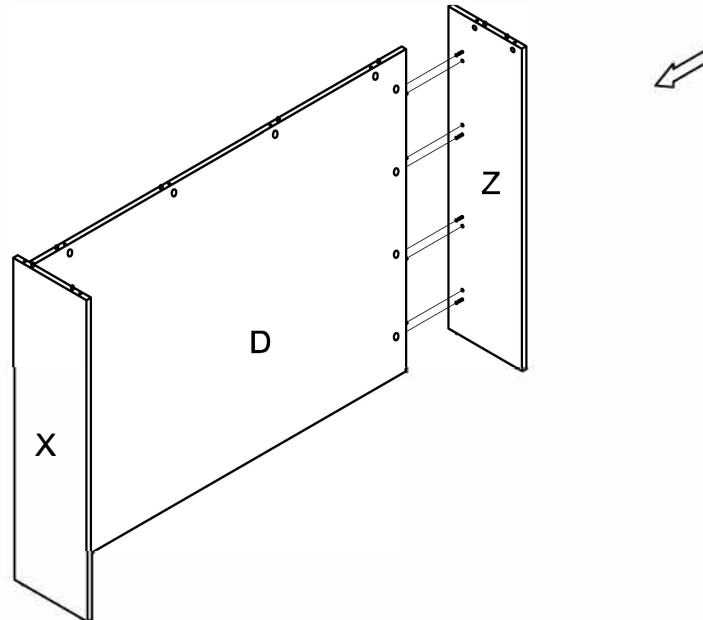
STEP 1



Preparation for Top panel A1, Back panel D,Left side panel X,Right side panel Z .

1、 Insert cam bolts (c1) and dowel pins (d1) into panel A1 ,D,X and Z as illustrated above.

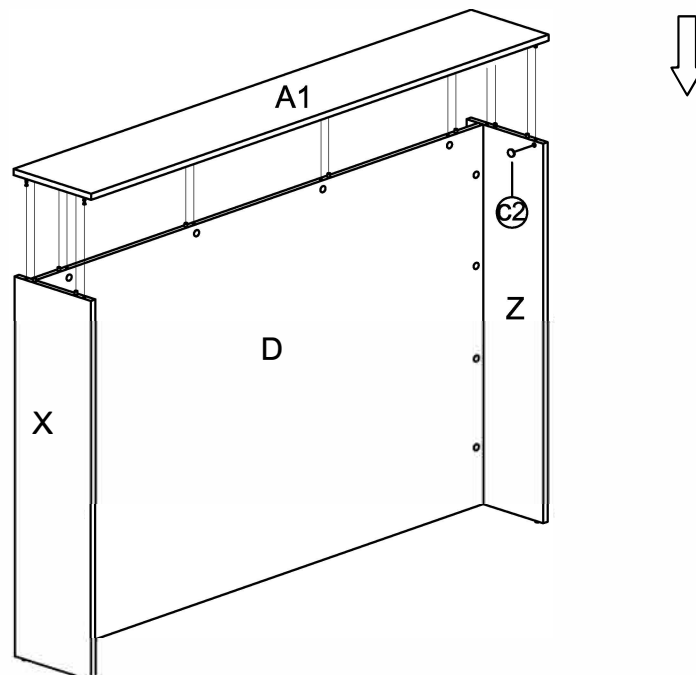
STEP 2



Back panel D, Left side panel X and Right side panel Z assembly.

1. Insert cam bolts (c1) and dowel pins (d1) on panel X and Z into cams on panel D and tighten in a clockwise direction as illustrated above.

STEP 3

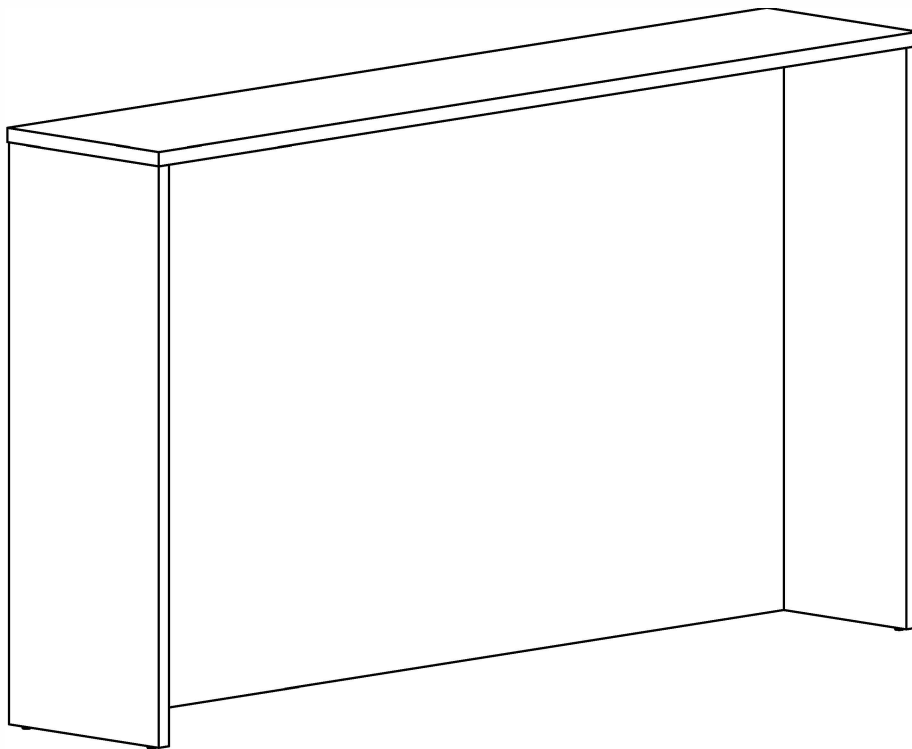


Top panel A1 and Back panel D, Left side panel X, Right side panel Z assembly.

1. Insert cam bolts (c1) and dowel pins (d1) on panel A1 into cams on panel X, Z and D and tighten in a clockwise direction as illustrated above.
2. Cover the cam covers (c2) on the top of cams.

You have now successfully completed the assembly on item:

AXIS Reception Counter Main
ITEM No.:AXRPDN18 & AXRDN18



Remove all QC and panel labels and wipe clean using a damp cloth and general household cleaner .