



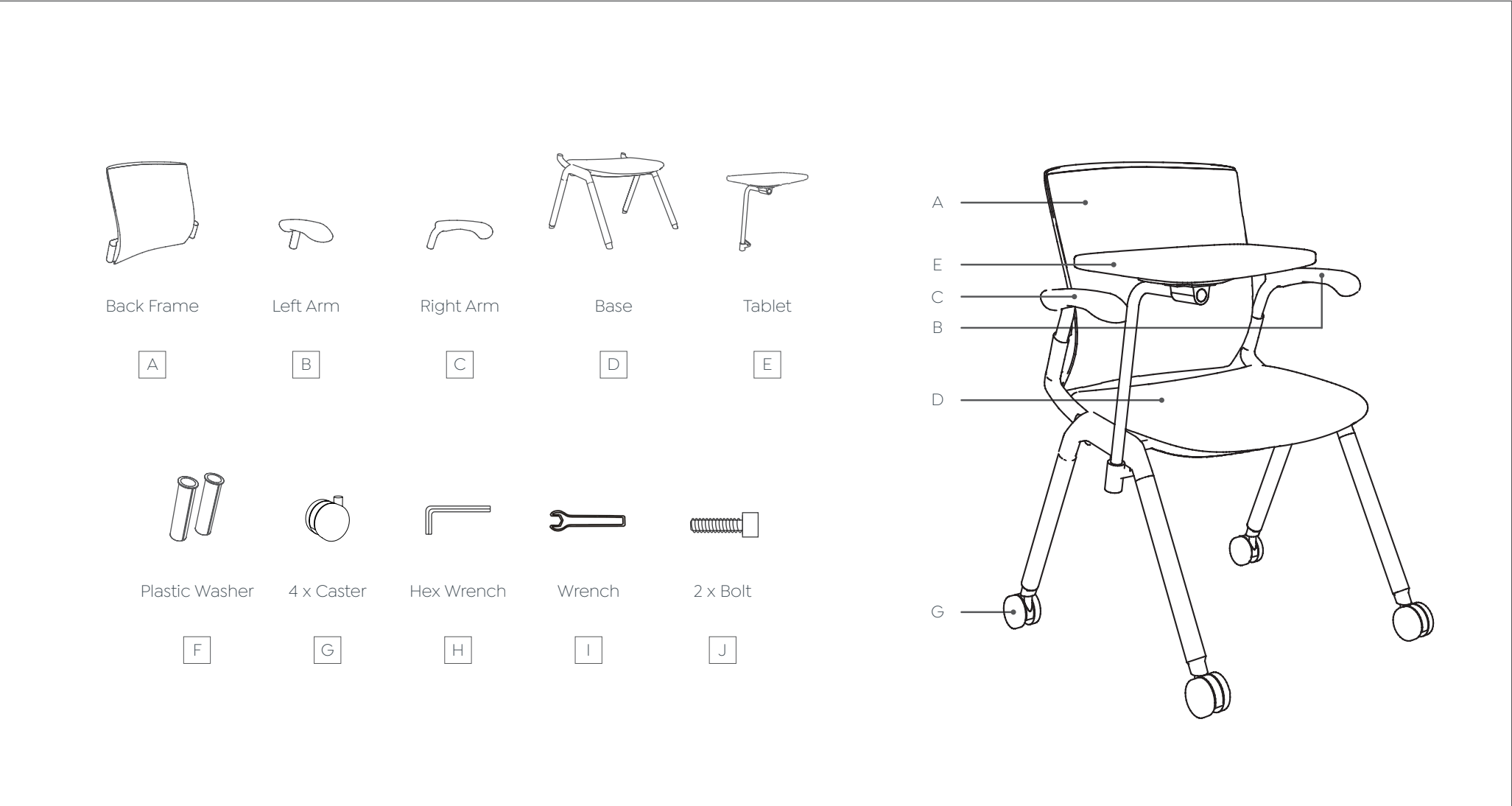
---

## **Balance Visitor with Arms & Tablet**

Assembly Instructions

# Balance Visitor with Arms & Tablet

## Components List



Back Frame

Left Arm

Right Arm

Base

Tablet

Plastic Washer

4 x Caster

Hex Wrench

Wrench

2 x Bolt

A

E

C

B

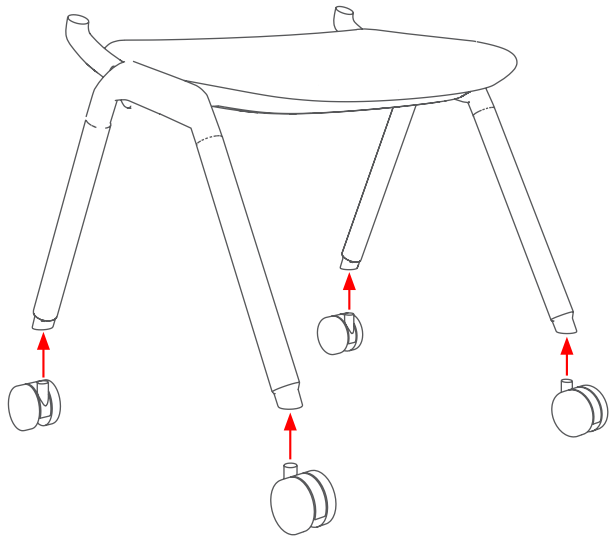
D

G

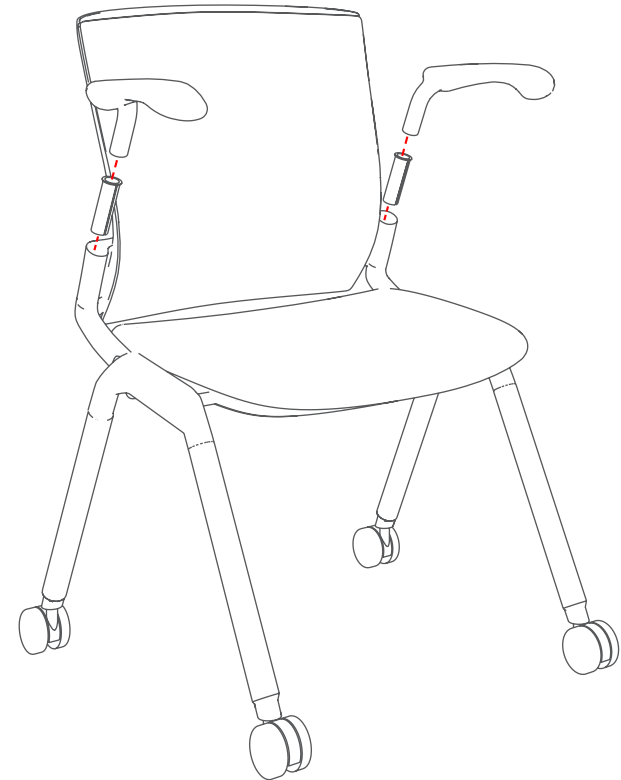
# Balance Visitor with Arms & Tablet

Assembly Instructions

**STEP 1:**



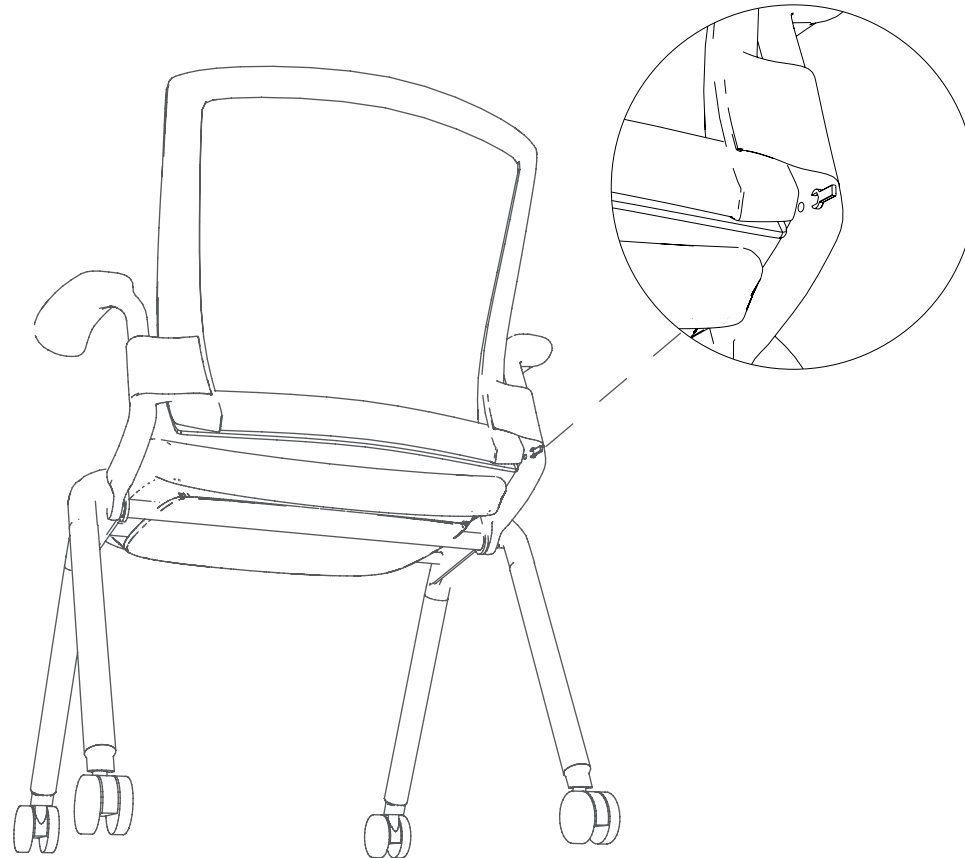
**STEP 2:**



# Balance Visitor with Arms & Tablet

## Assembly Instructions

### STEP 3:



## STEP 4:

