



EPIC OFFICE
furniture.com.au

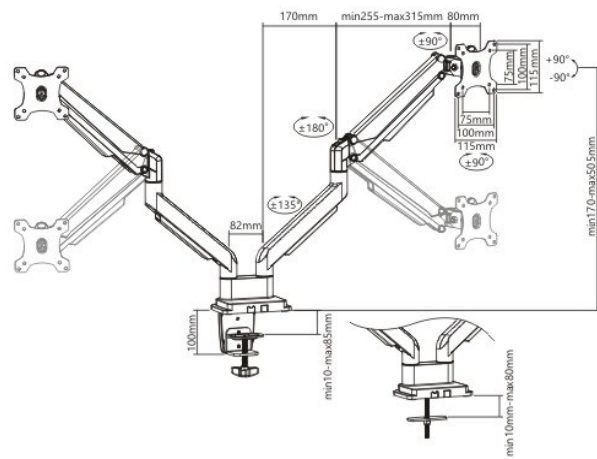


Premium Dual Monitor Gas Spring Monitor Arm

Product Data Specification

Premium Dual Monitor Gas Spring Monitor Arm

Product Data Specification



Standard Features

Dual Monitors Performance Gas Spring Aluminum Pole Mounted Monitor Arm

Swiveling Arm: offers more convenient operation

Gas Spring: perfectly counterbalances the weight of your monitor

Detachable VESA Plate Design: enables easy installation

Extra tool holder

Built-in Cable Management: for an organized and neat workspace

Specifications

Fit Screen Size	17"-32"
Weight Capacity (per screen)	1-9kg
VESA Compatible	75x75,100x100
Tilt Range	+90°--90°
Swivel Range	+90°--90°
Screen Rotation	+90°--90°
Suggested Desktop Thickness	Clamp 10~85mm Grommet 10~80mm

Material

Aluminum

