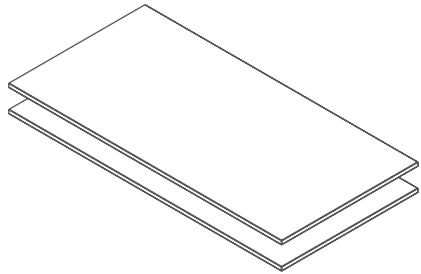


Flare 6 Leg Bar Leaner

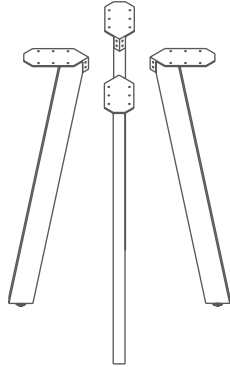
Assembly Instructions

Flare 6 Leg Bar Leaner

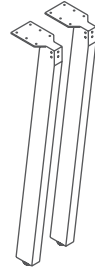
Components List



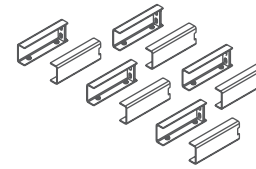
2 x Axis Worktop



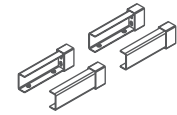
EL 4 x Flare End Legs
80° Angle



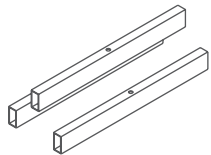
ML 2 x Flare Middle Legs
80° Angle



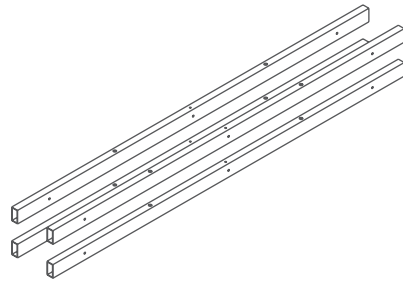
B 5 x Pair AXKDSPIGE



C 2 x Pair AXKDSPIGS



R1 3 x Short Rails



R2 4 x Long Rails



20 - M6 x 20



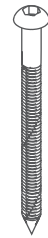
8 - M6 x 30



28 - M8 x 16



36 - ST5 x 23

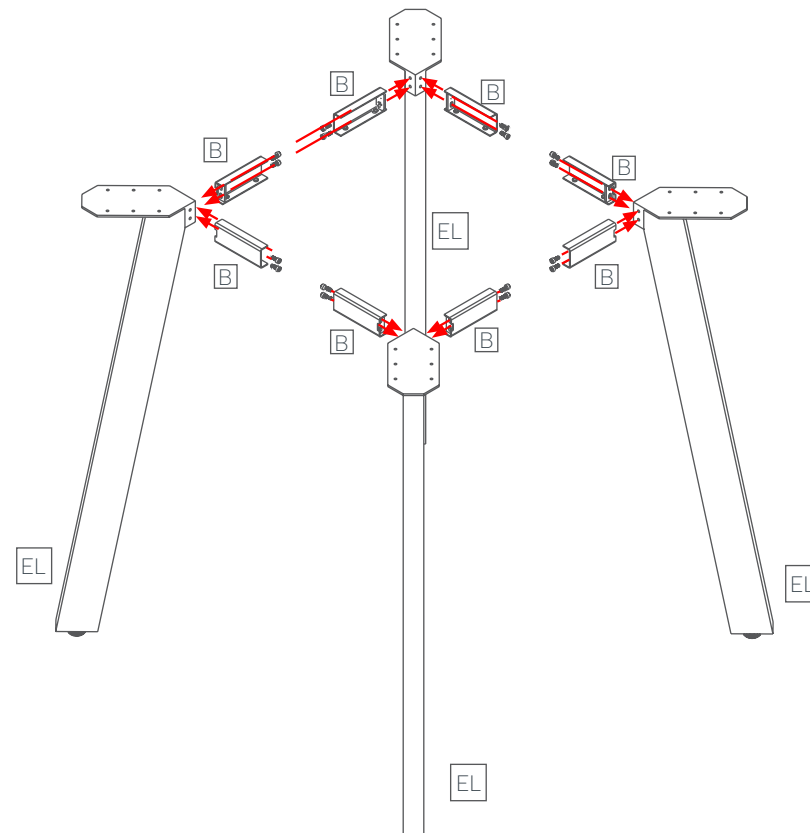
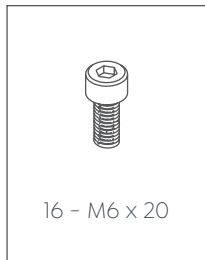


10 - ST5 x 70

Flare 6 Leg Bar Leaner

Assembly Instructions

STEP 1:



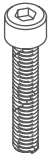
Flare 6 Leg Bar Leaner

Assembly Instructions

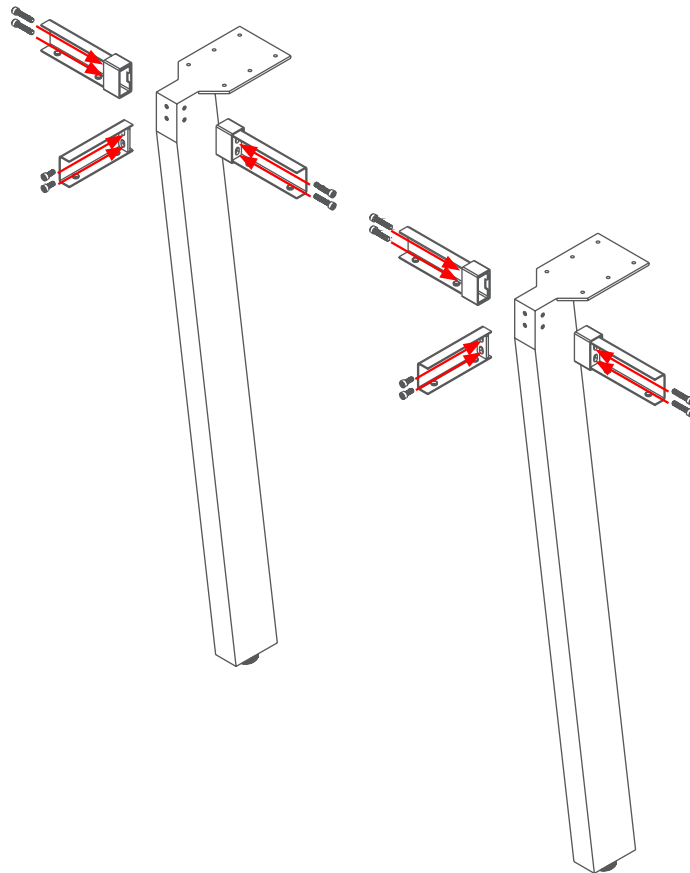
STEP 2:



4 - M6 x 20mm



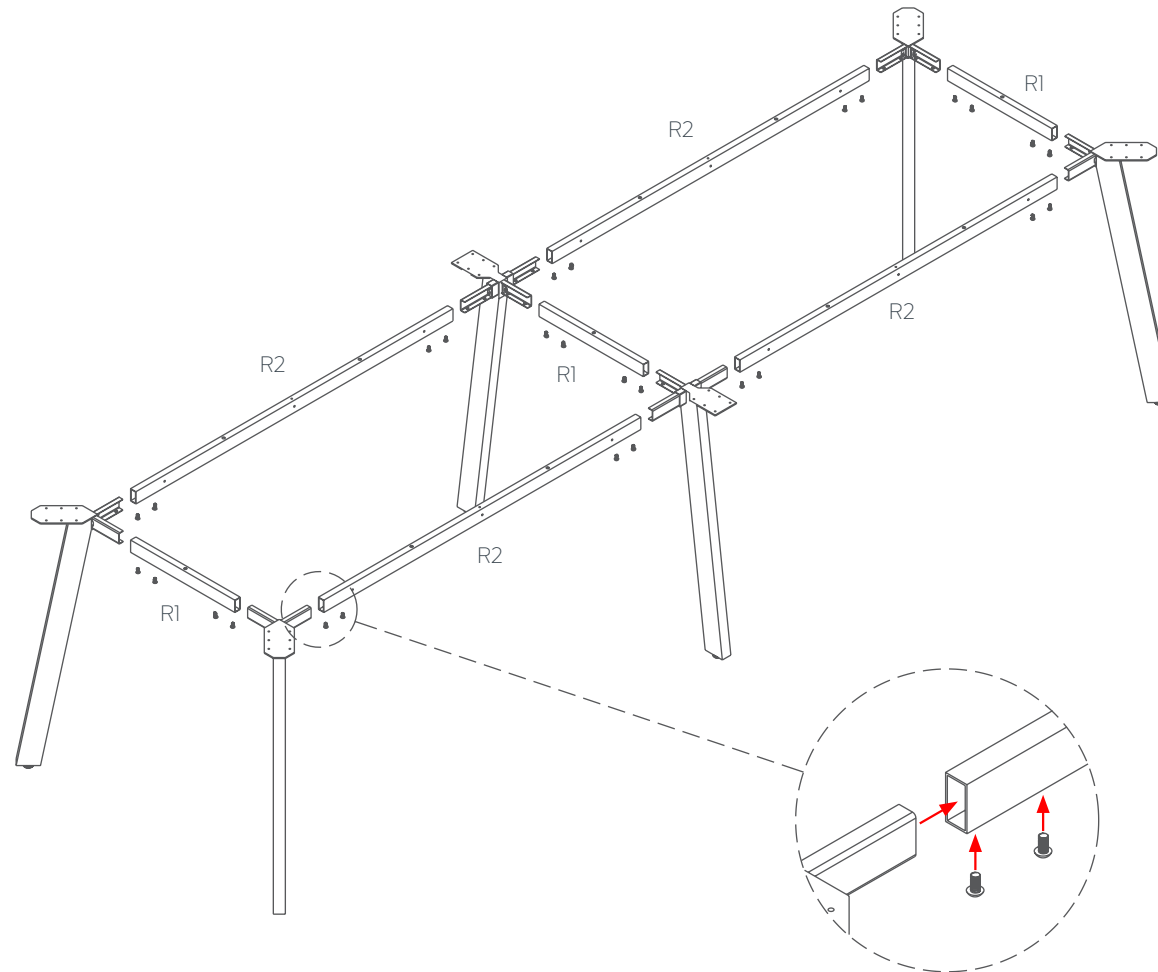
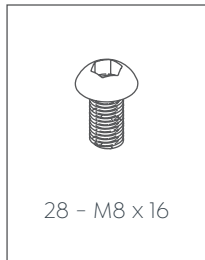
8 - M6 x 30mm



Flare 6 Leg Bar Leaner

Assembly Instructions

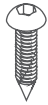
STEP 3:



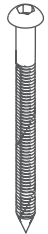
Flare 6 Leg Bar Leaner

Assembly Instructions

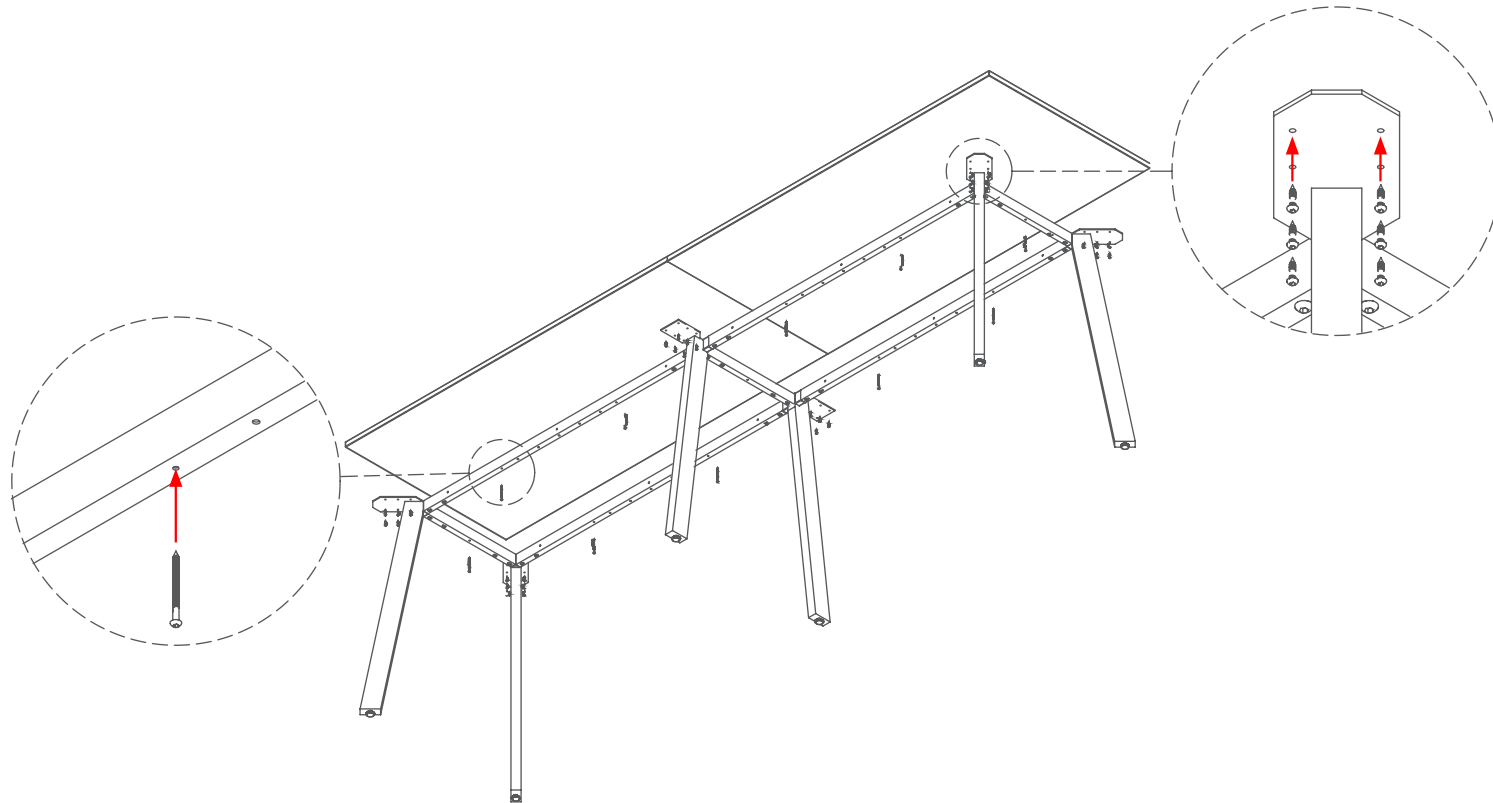
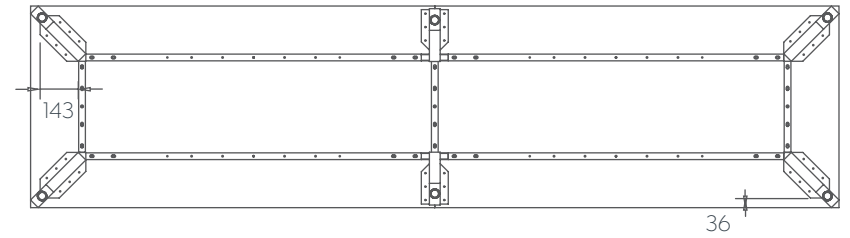
STEP 4:



36 - ST5 x 23



6 - ST5 x 70



Flare 6 Leg Bar Leaner

Assembly Instructions

Complete:

