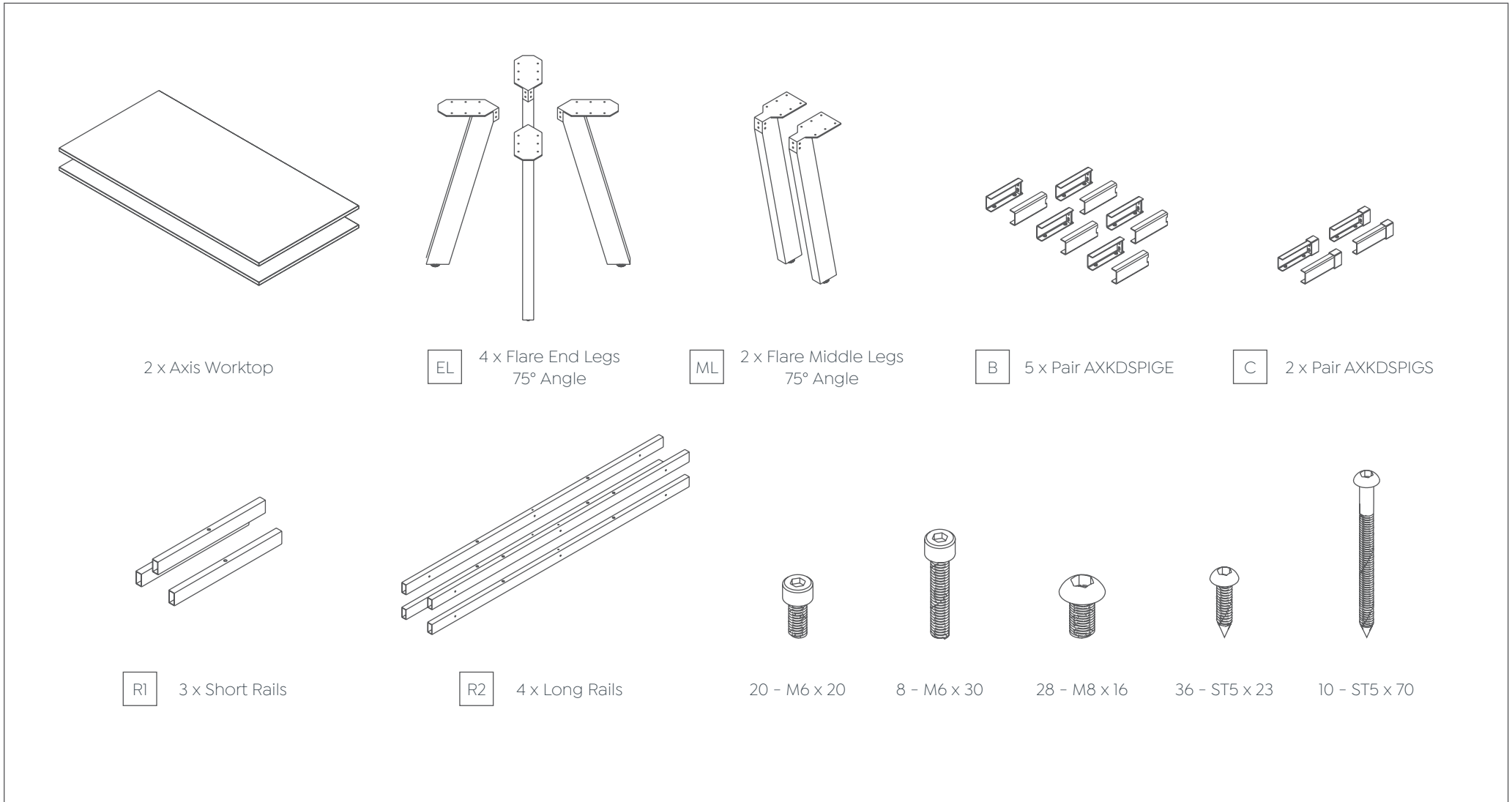


Flare 6 Leg Meeting Table

Assembly Instructions

Flare 6 Leg Meeting Table

Components List



2 x Axis Worktop

EL 4 x Flare End Legs
75° Angle

ML 2 x Flare Middle Legs
75° Angle

B 5 x Pair AXKDSPIGE

C 2 x Pair AXKDSPIGS

R1 3 x Short Rails

R2 4 x Long Rails

20 - M6 x 20

8 - M6 x 30

28 - M8 x 16

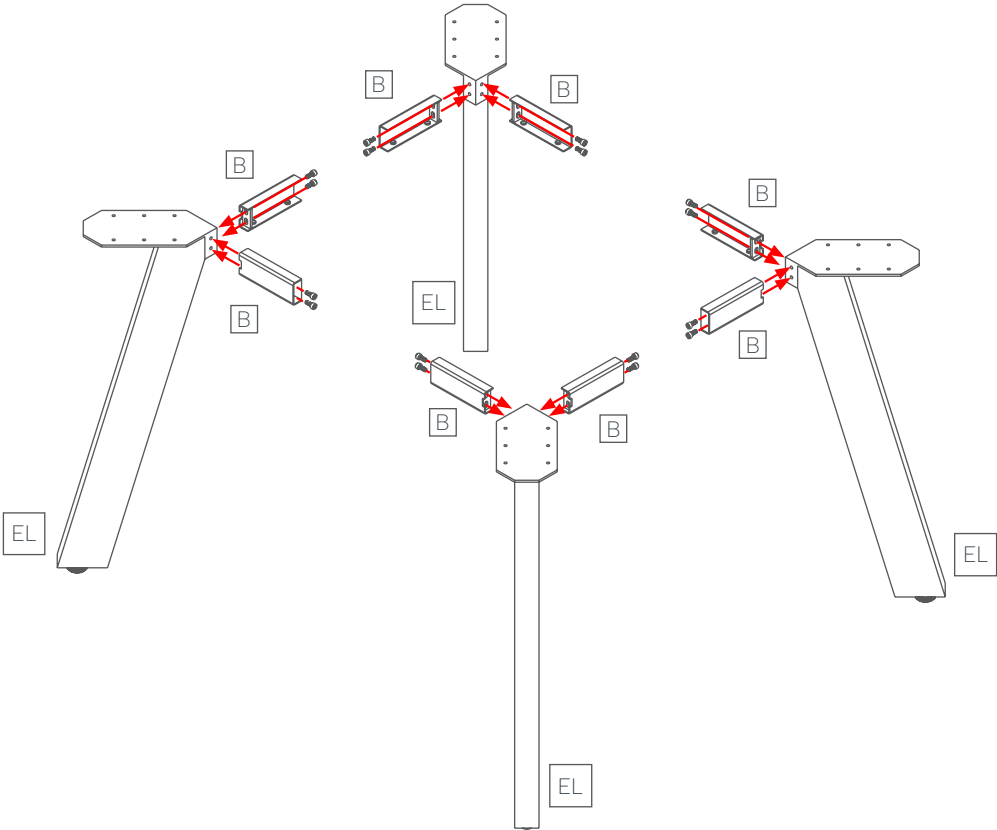
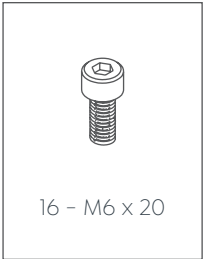
36 - ST5 x 23

10 - ST5 x 70

Flare 6 Leg Meeting Table

Assembly Instructions

STEP 1:



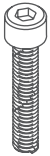
Flare 6 Leg Meeting Table

Assembly Instructions

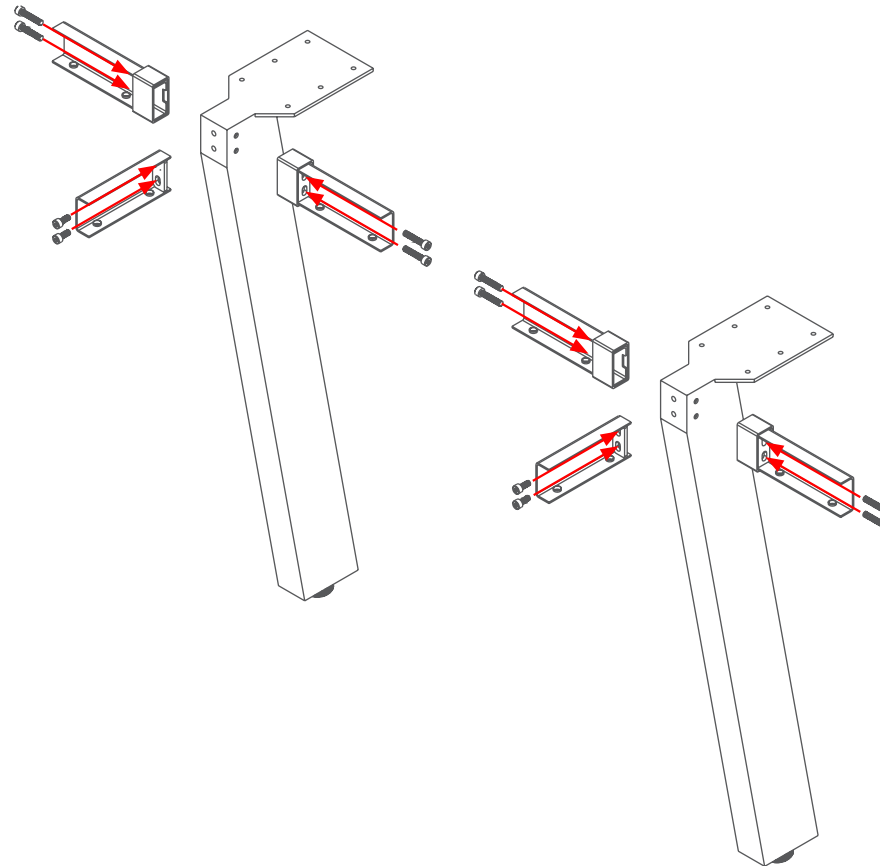
STEP 2:



4 - M6 x 20mm



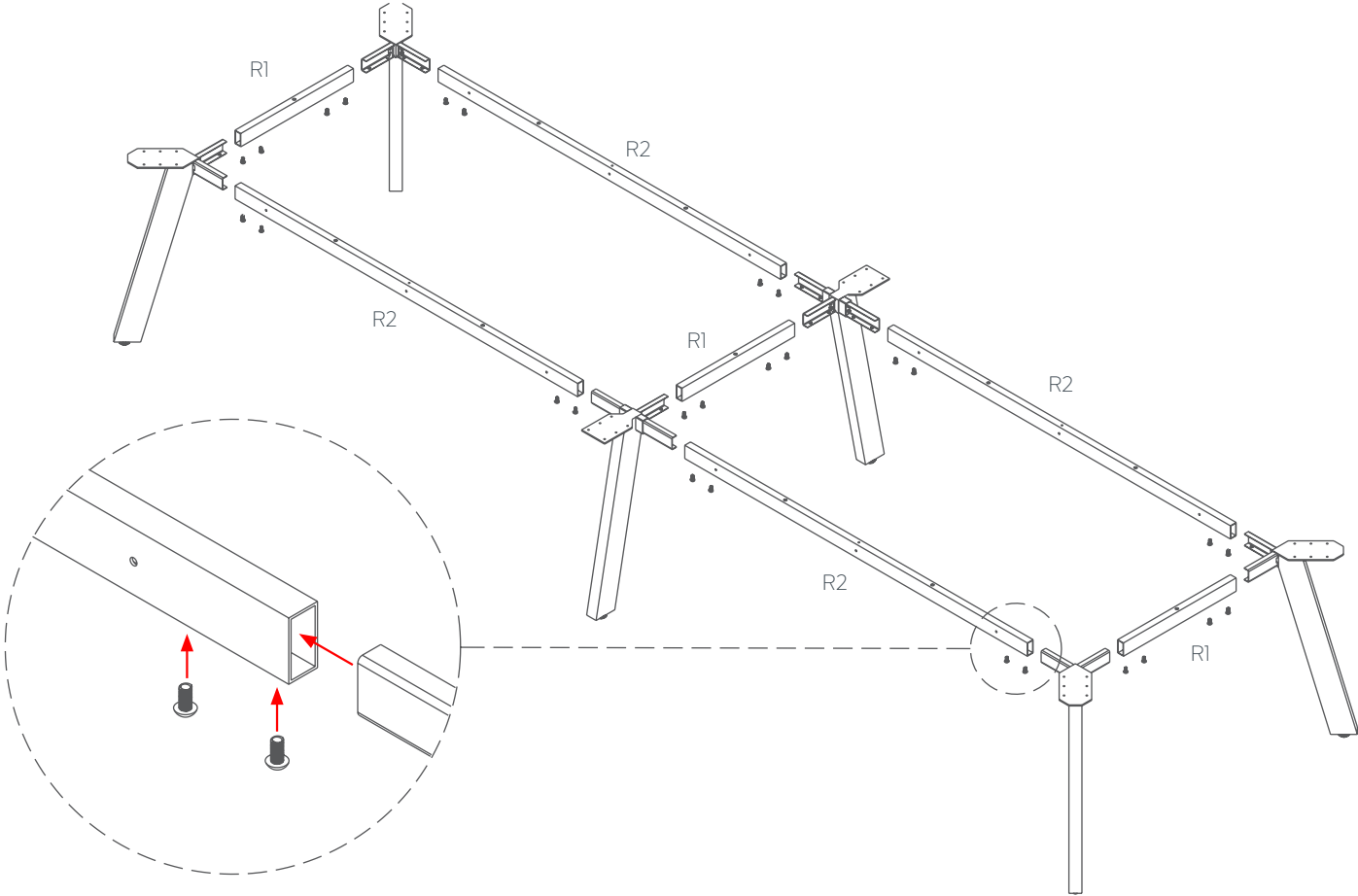
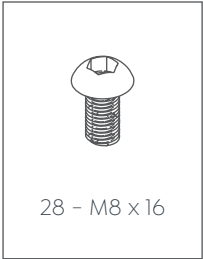
8 - M6 x 30mm



Flare 6 Leg Meeting Table

Assembly Instructions

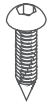
STEP 3:



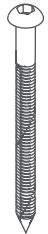
Flare 6 Leg Meeting Table

Assembly Instructions

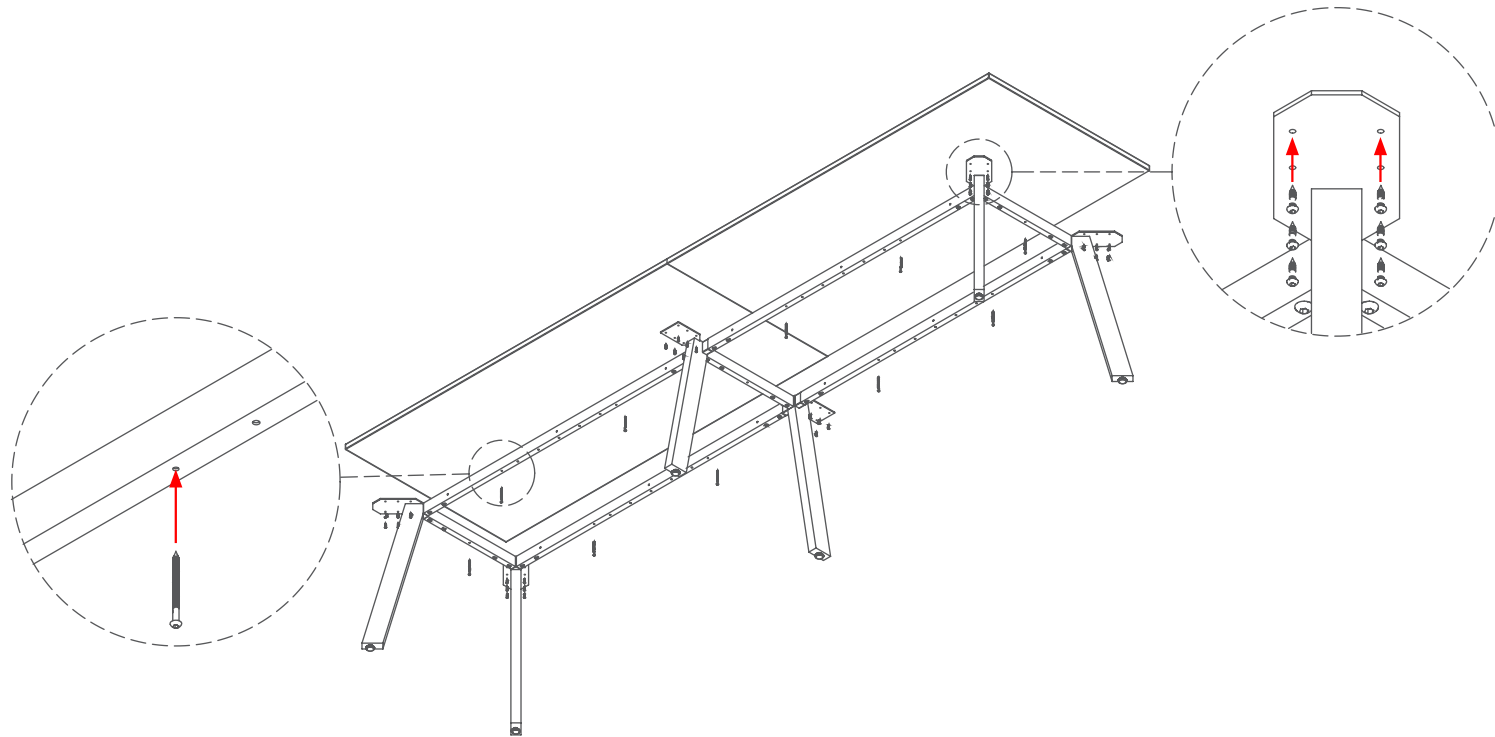
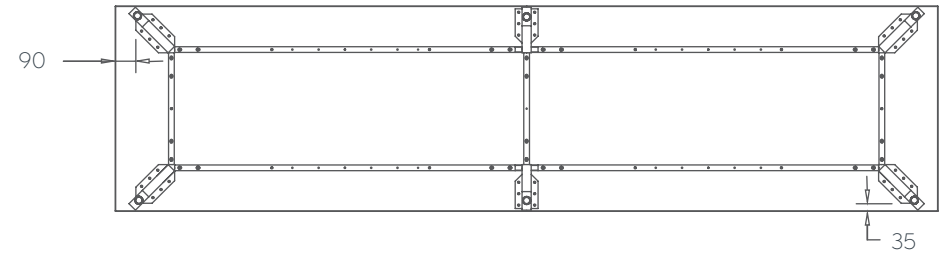
STEP 4:



36 - ST5 x 23



6 - ST5 x 70



Flare 6 Leg Meeting Table

Assembly Instructions

Complete:

