



Luna Barstool > Assembly Instructions

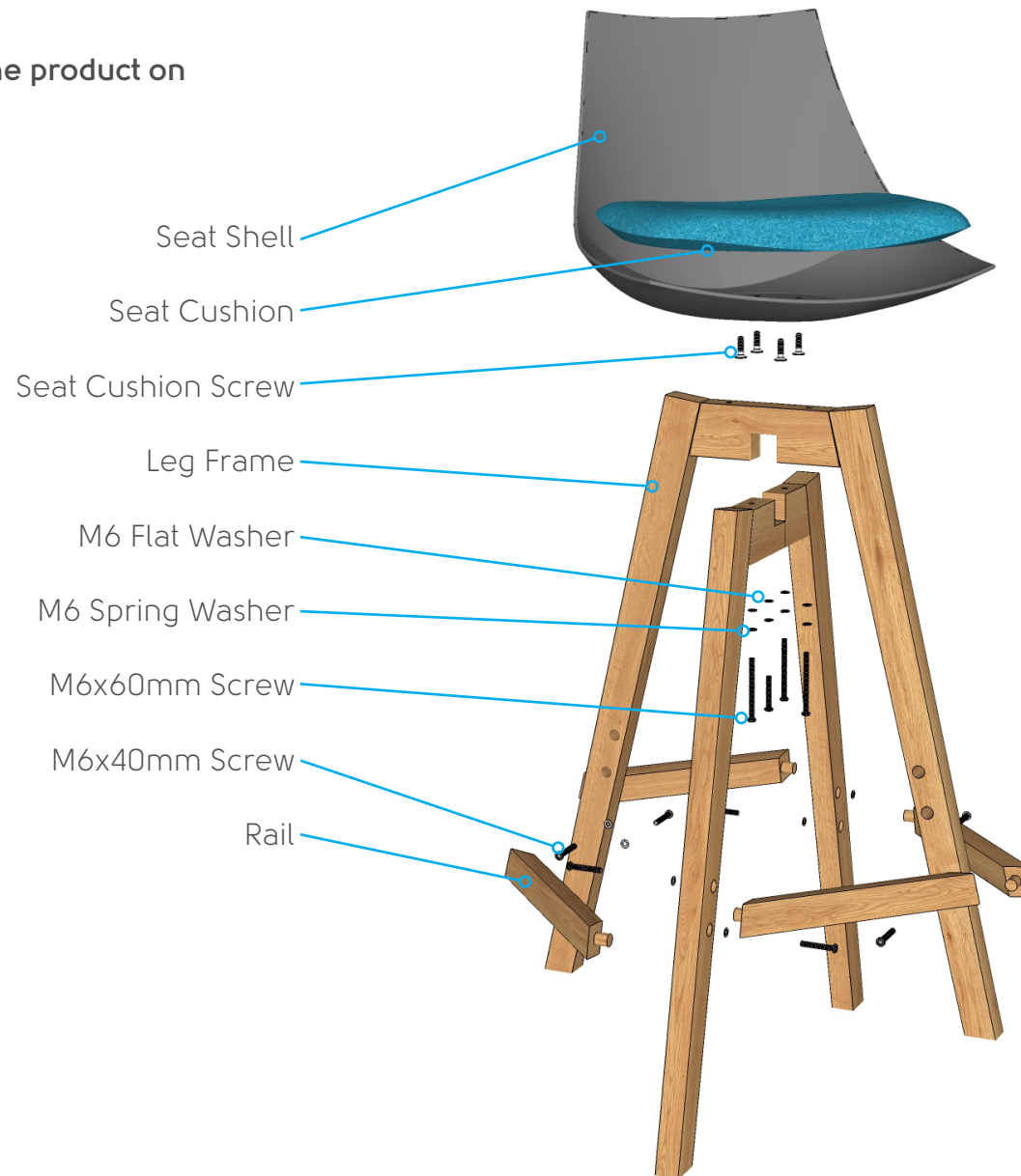
To prevent possible scratches or damage, assemble the product on a soft surface such as a blanket, carpet or packaging.

PARTS LIST:

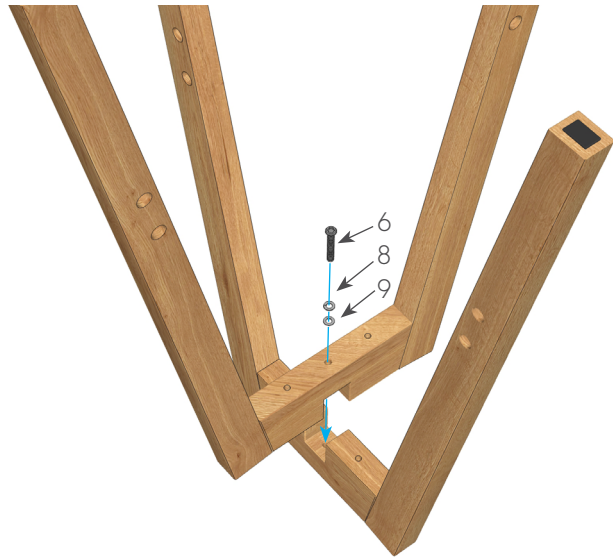
- 1. Seat x1
- 2. Seat Cushion
- 3. Leg Frame x1 Pair
- 4. Rail x 4

FASTENER LIST:

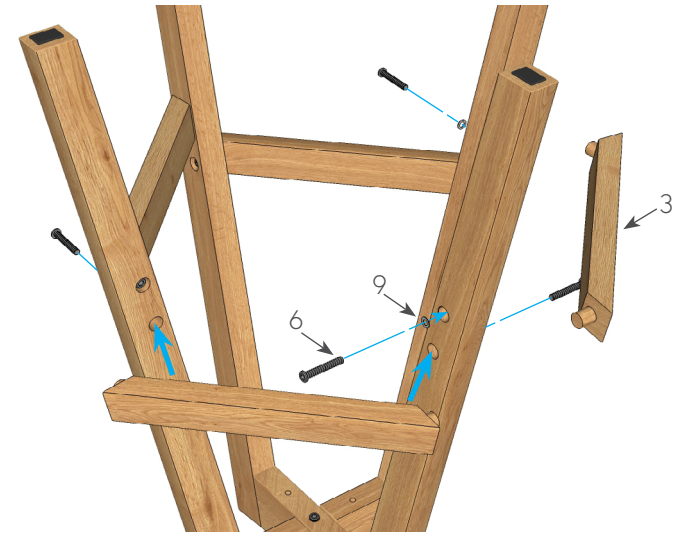
- 5. Seat Cushion Scew x 4
- 6. M6x40mm Screw x 9
- 7. M6x60mm Screw x 4
- 8. M6 Flat Washer x 13
- 9. M6 Spring Wahser x 5
- 10. Allen Key x 1



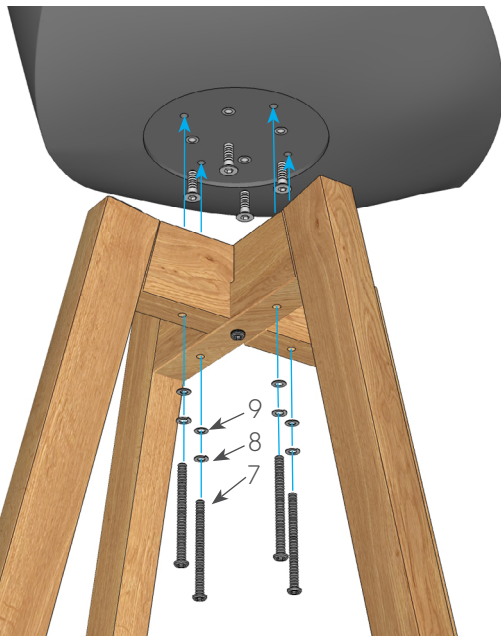
Luna Barstool > Assembly Instructions



1



2



3

4

