

Modulus 90° Workspace

Assembly Instructions

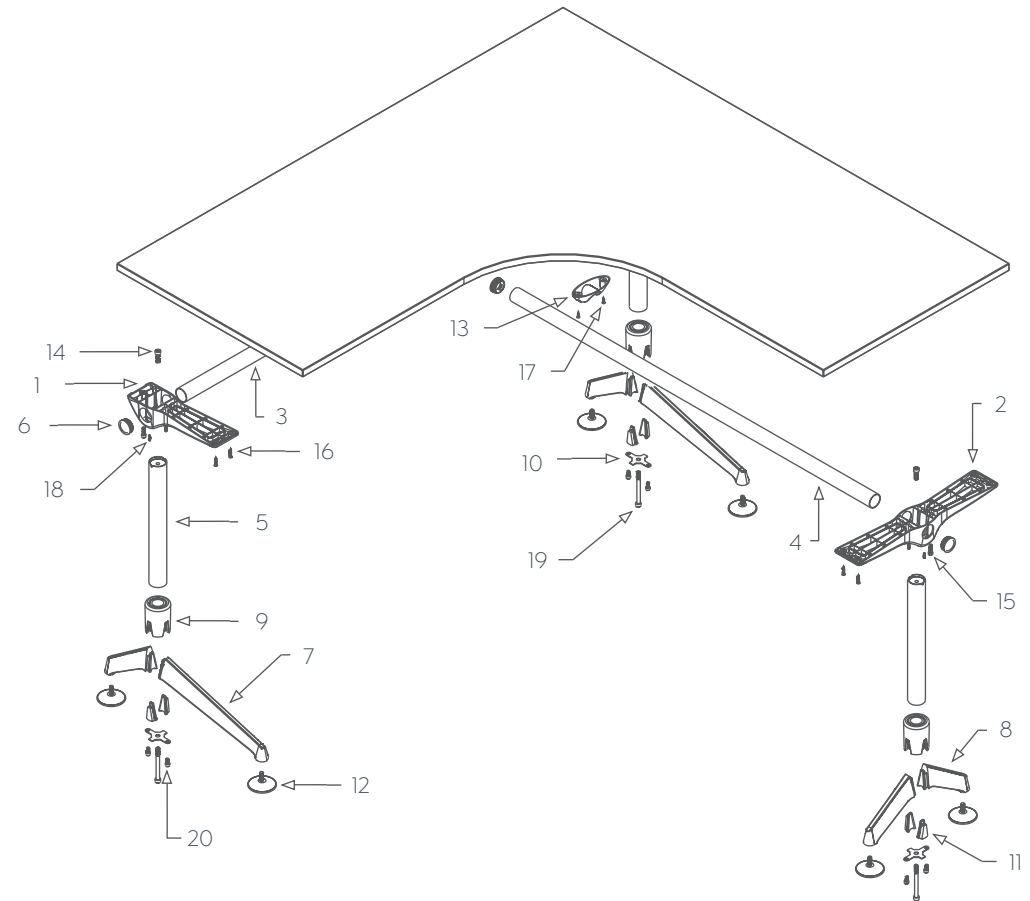
Modulus 90° Workspace

Components List

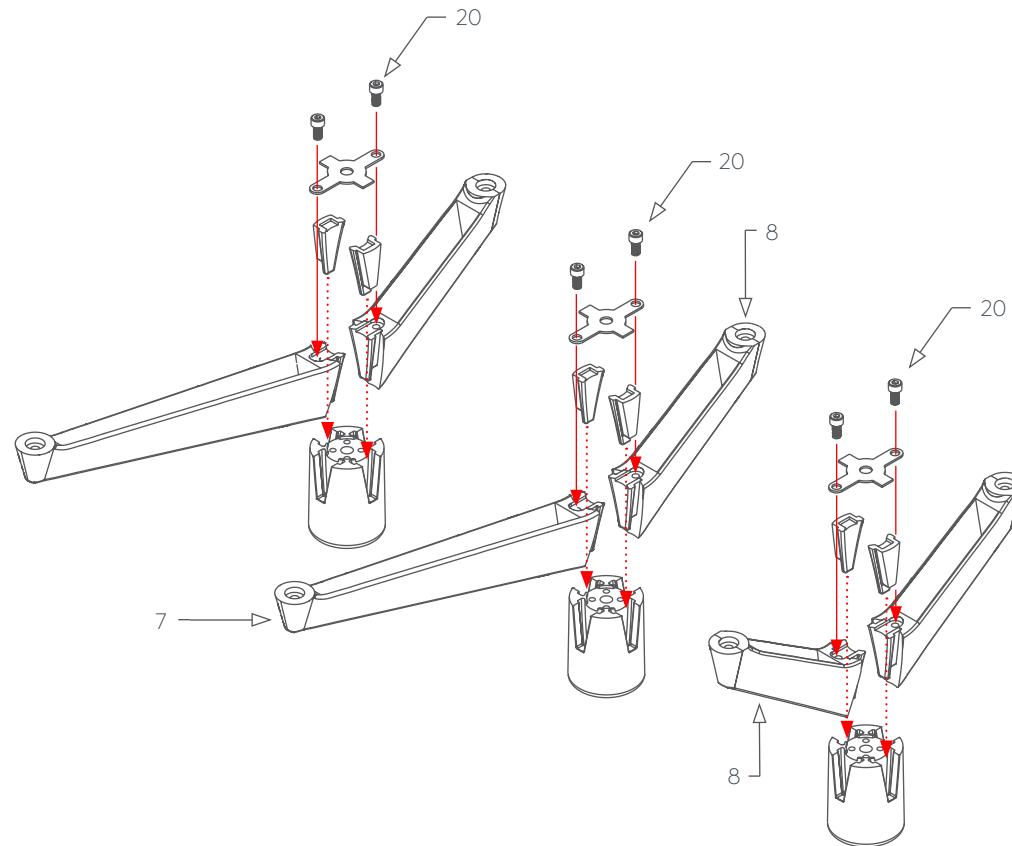
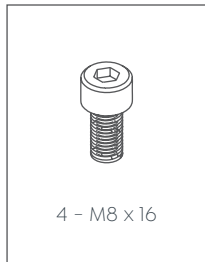
STEP 2:

Components	QTY	Part No.
1 Die Cast Upper Wrist (A)	x2	MODZA06
2 Die Cast Upper Wrist (B)	x1	MODZA05
3 Top Rail	x1	FWTOPRAIL
4 Top Rail	x1	FWTOPRAIL
5 Leg-pole Tube Ø51	x3	MODZA22-695
6 Top Rail Cap	x4	MODZA18
7 Large Foot	x2	MODZA12
8 Small Foot	x4	
9 Cross Connector	x3	MODZA01
10 Gasket	x3	
11 Collar Plug	x6	MODZA15
12 Foot Glide	x6	MODZA25
13 Plastic Support	x1	MODZA16

Screws	QTY
14 M10 x 30mm	x3
15 M8 x 25mm	x3
16 M5 x 30mm Self Tapping	x8
17 M5 x 20mm Self Tapping	x2
18 M8 x 16mm Grub Screw	x6
19 M10 x 110mm	x3
20 M8 x 16mm	x6



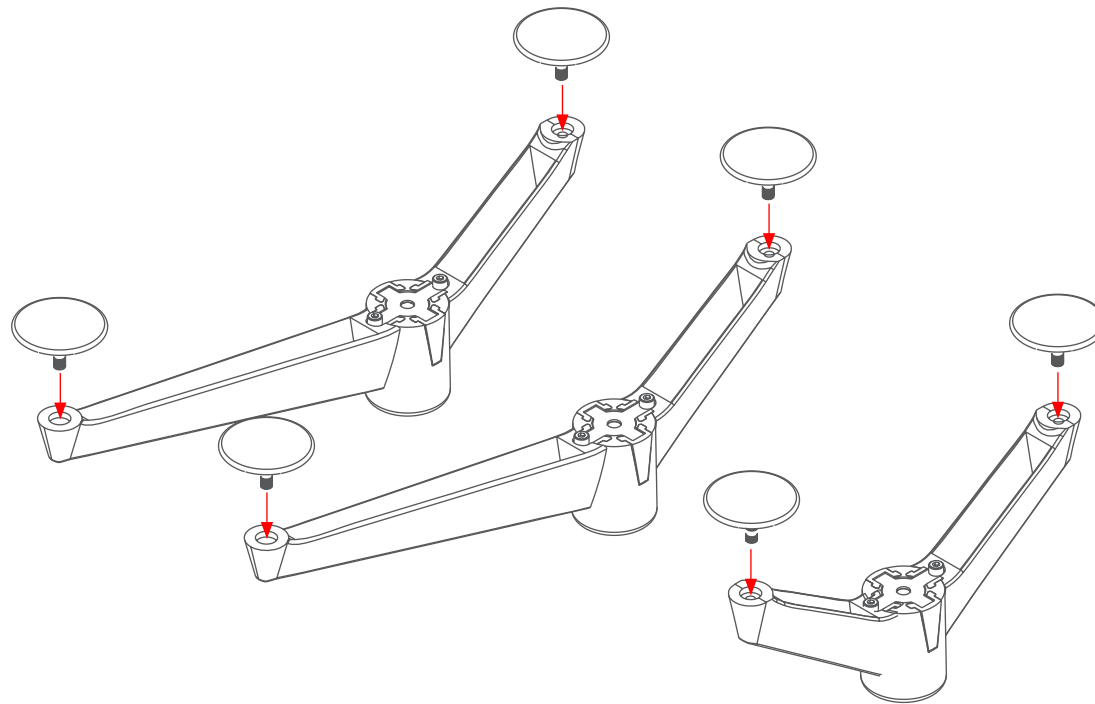
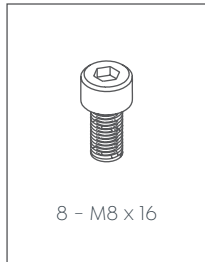
STEP 1:



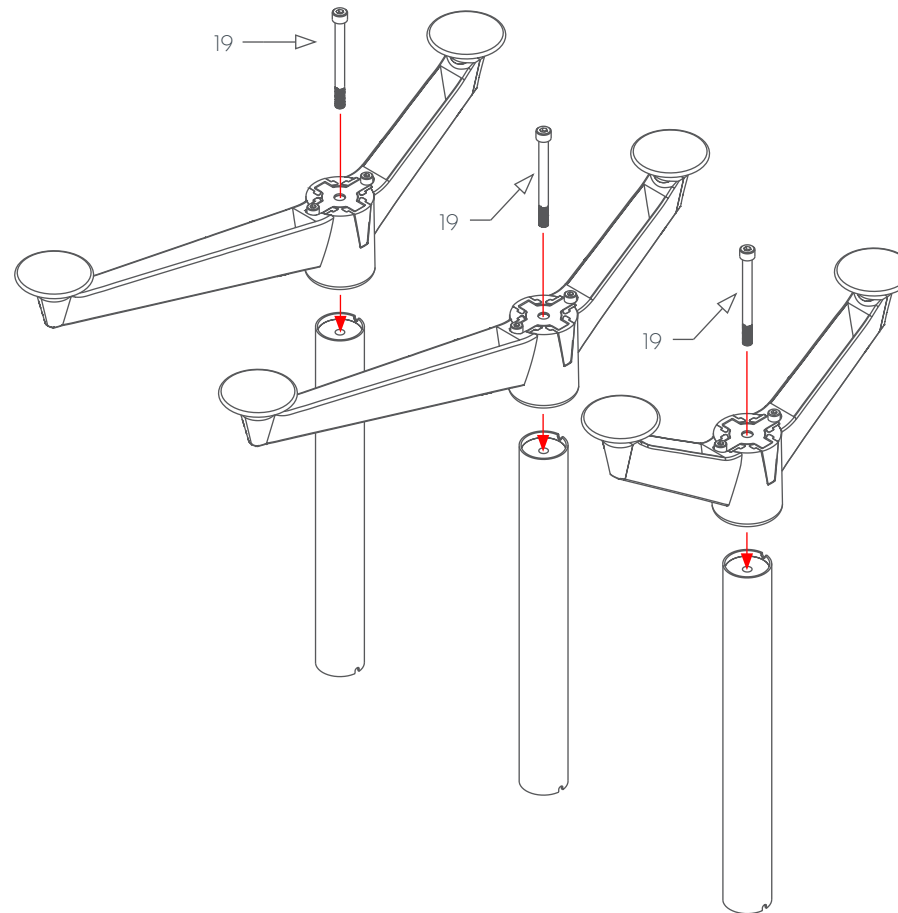
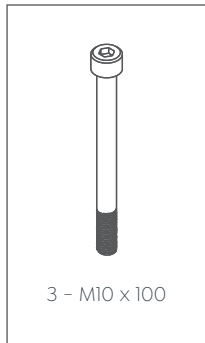
Modulus 90° Workspace

Assembly Instructions

STEP 2:



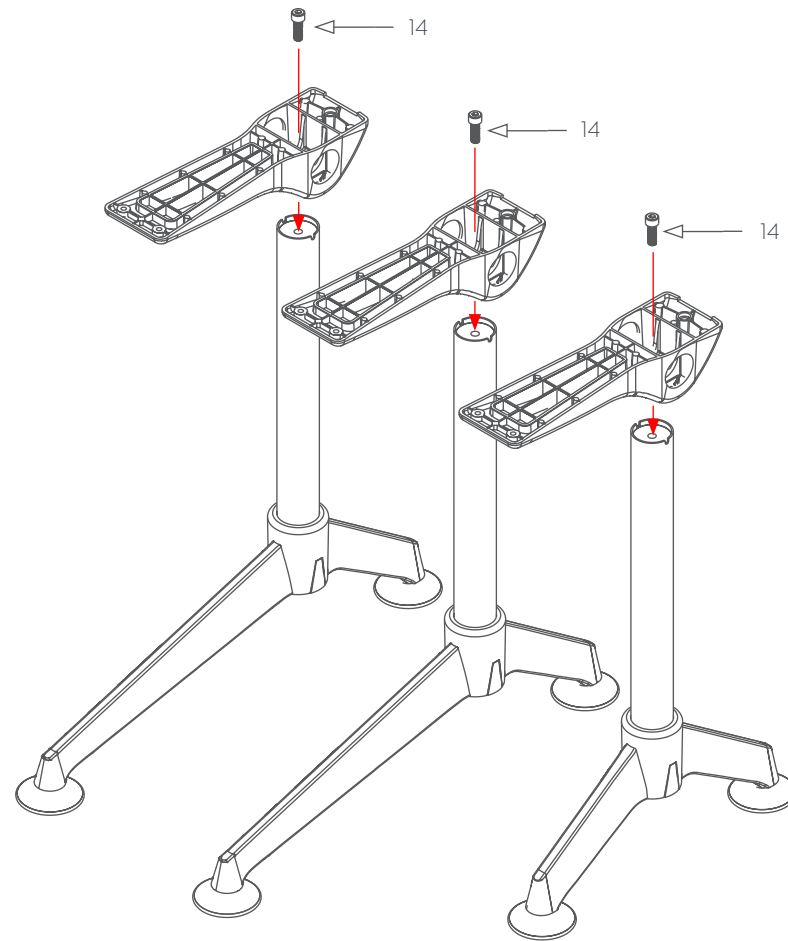
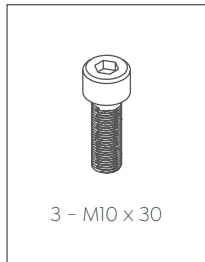
STEP 3:



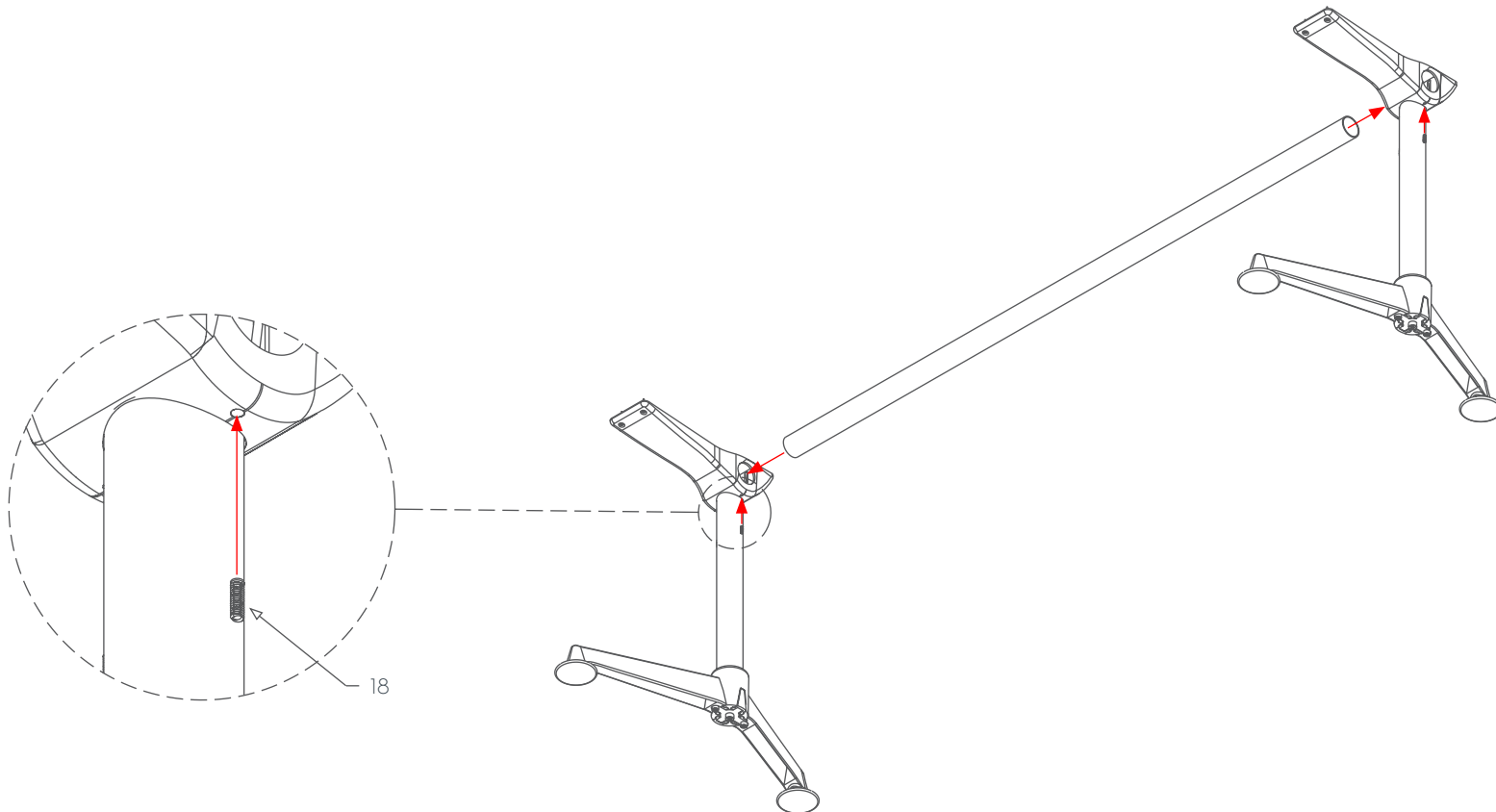
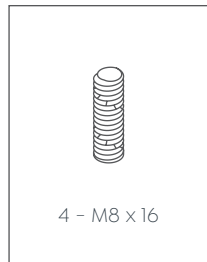
Modulus 90° Degree Workspace

Assembly Instructions

STEP 4:



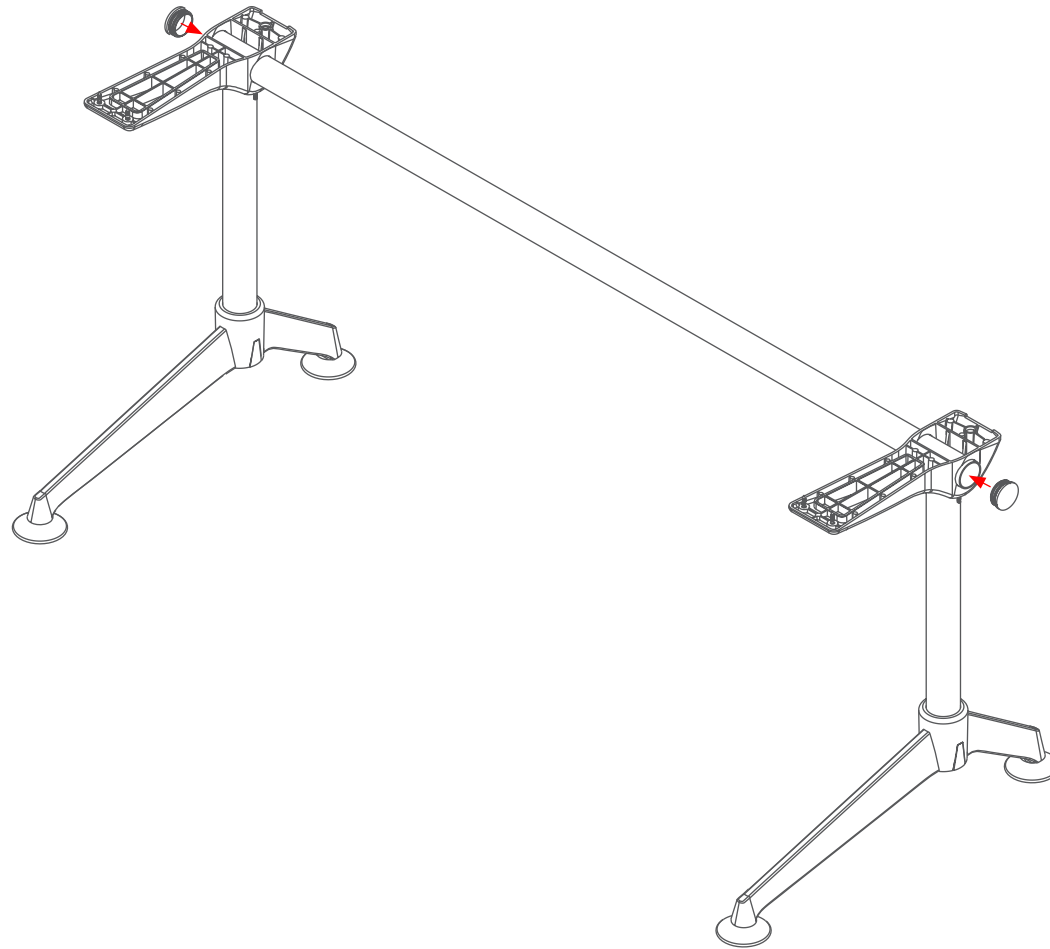
STEP 5:



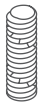
Modulus 90° Workspace

Assembly Instructions

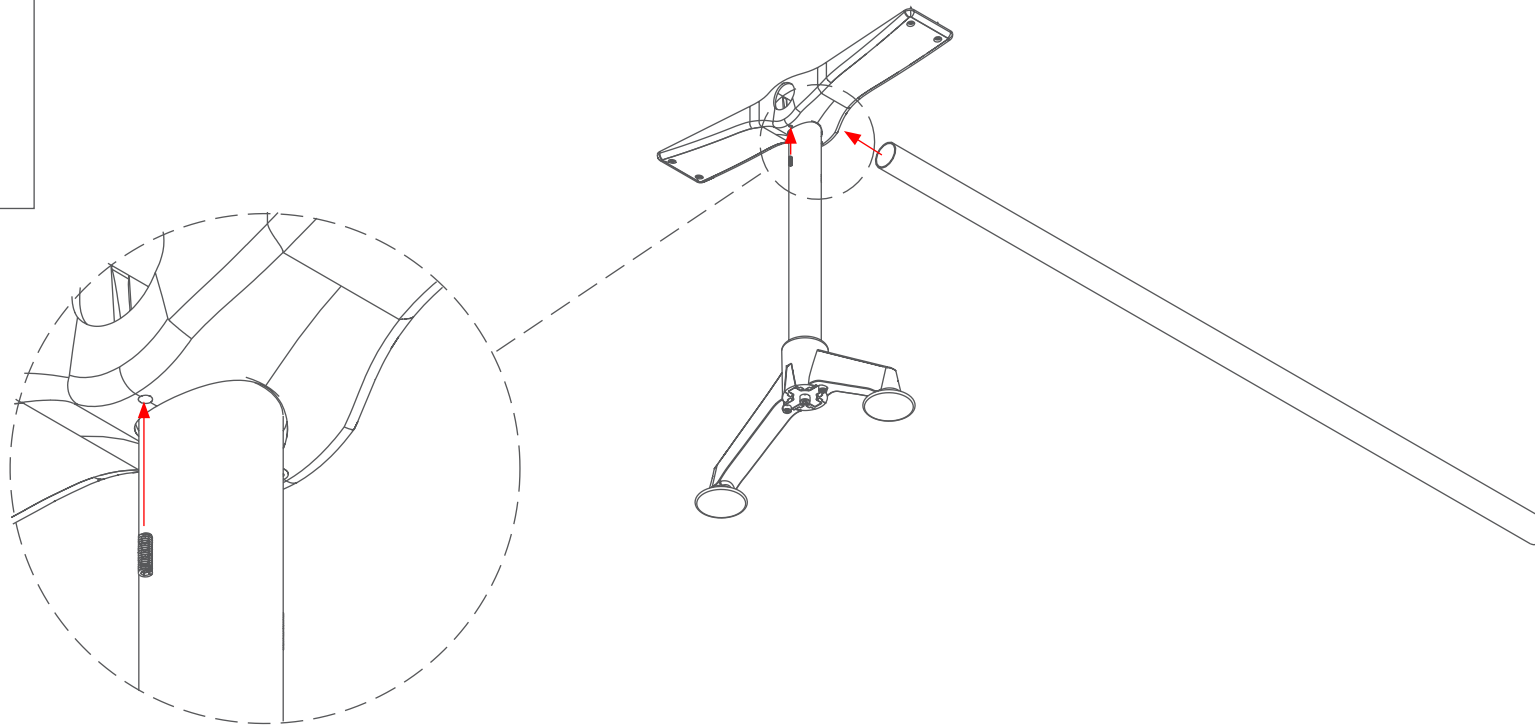
STEP 5.1:



STEP 6:



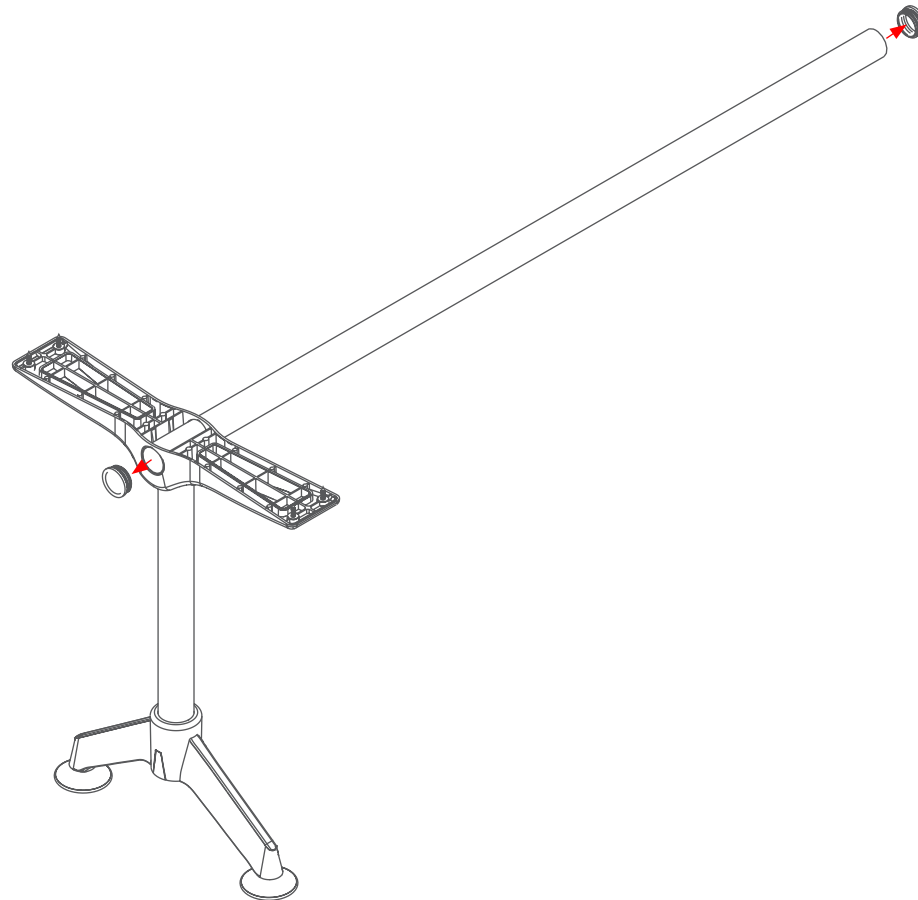
2 - M8 x 16



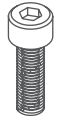
Modulus 90° Workspace

Assembly Instructions

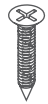
STEP 7:



STEP 8:



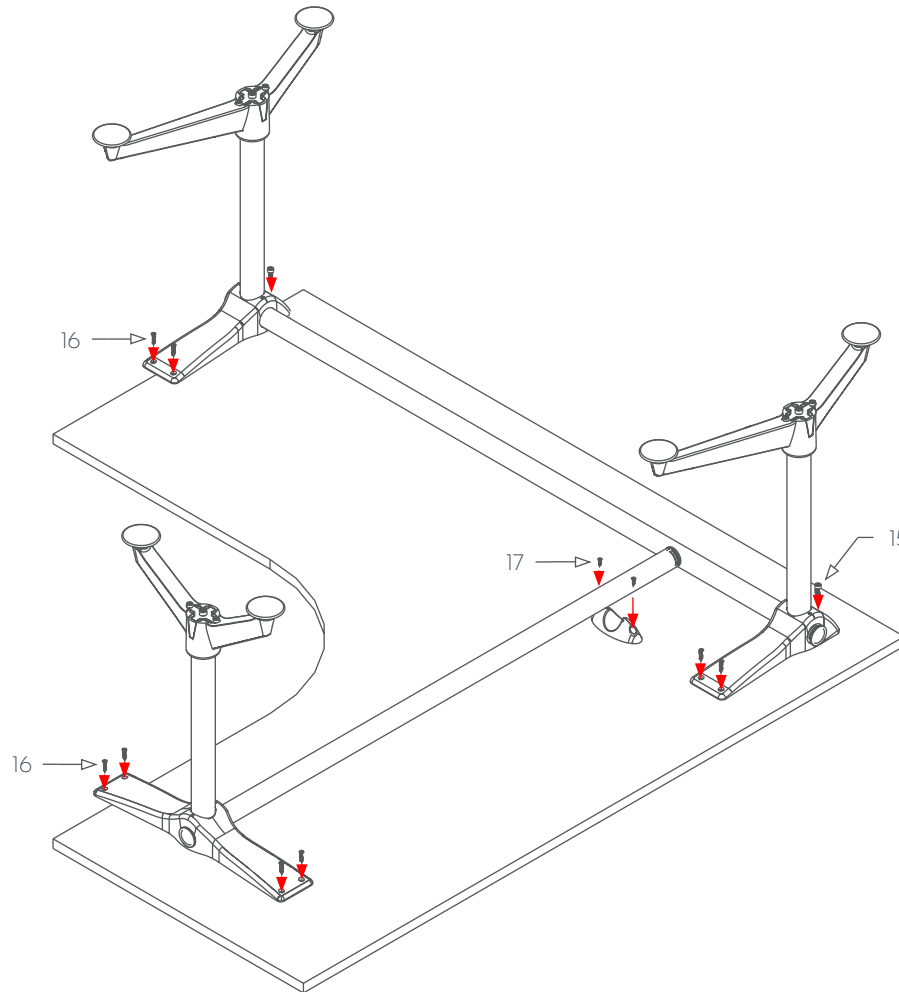
2 - M8 x 25



8 - M5 x 30
Self Tapping



2 - M5 x 20
Self Tapping



Modulus 90° Workspace

Assembly Instructions

STEP 9:

