



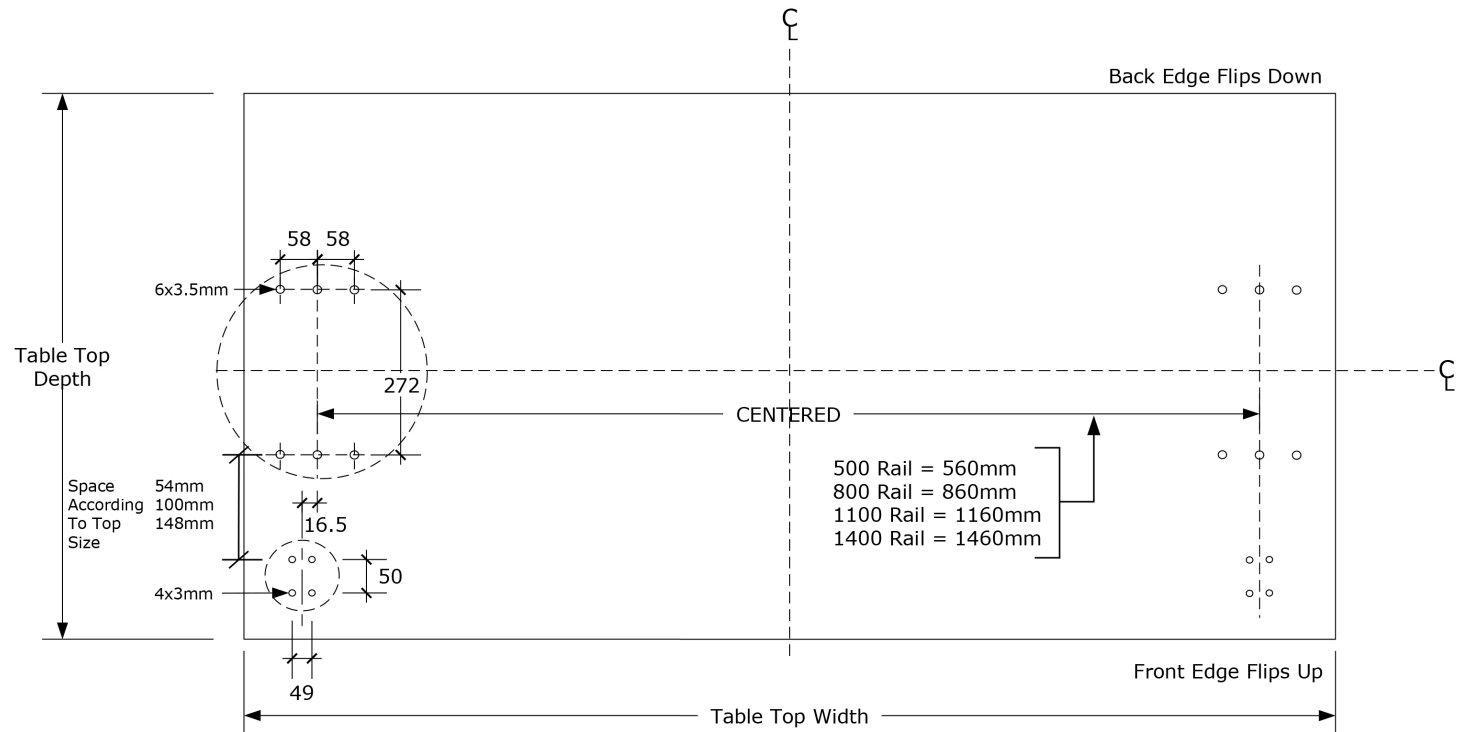
---

## **Modulus Flip**

Assembly Instructions

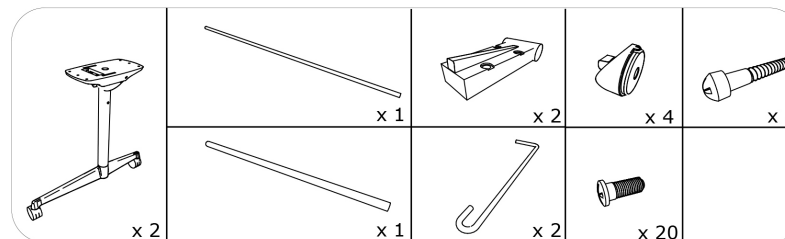
# Modulus Flip

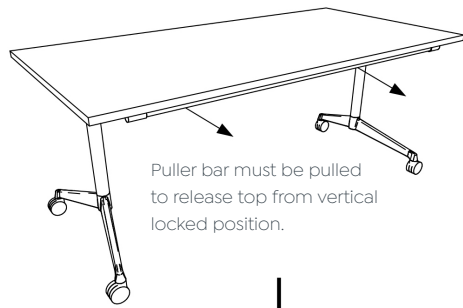
## Components List



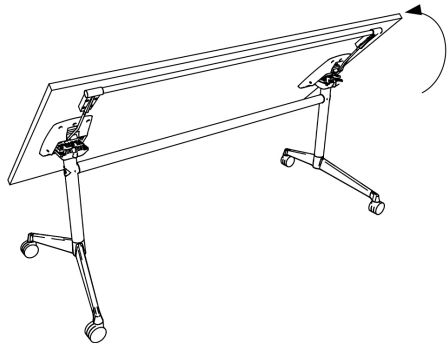
### Statement of Use:

Modulus flip tables are designed for heavy commercial use & in boardrooms, conference rooms & training rooms.

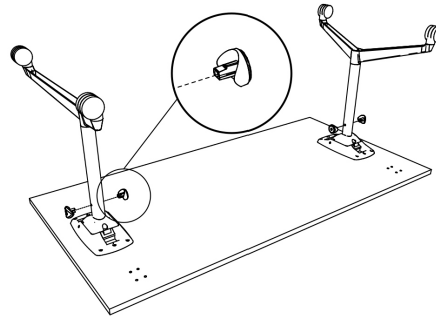




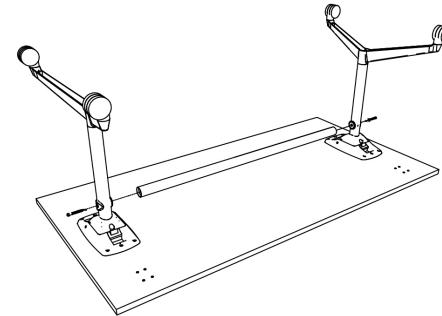
Puller bar must be pulled to release top from vertical locked position.



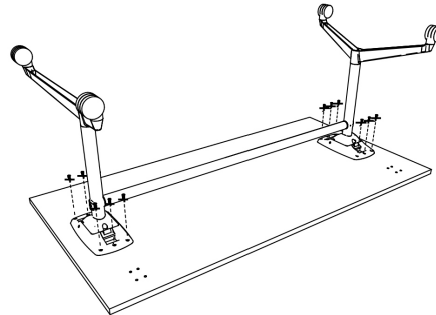
**Step 1:**



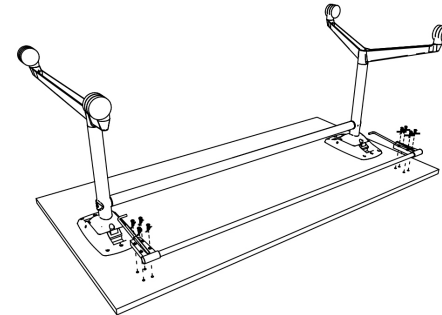
**Step 2:**



**Step 3:**



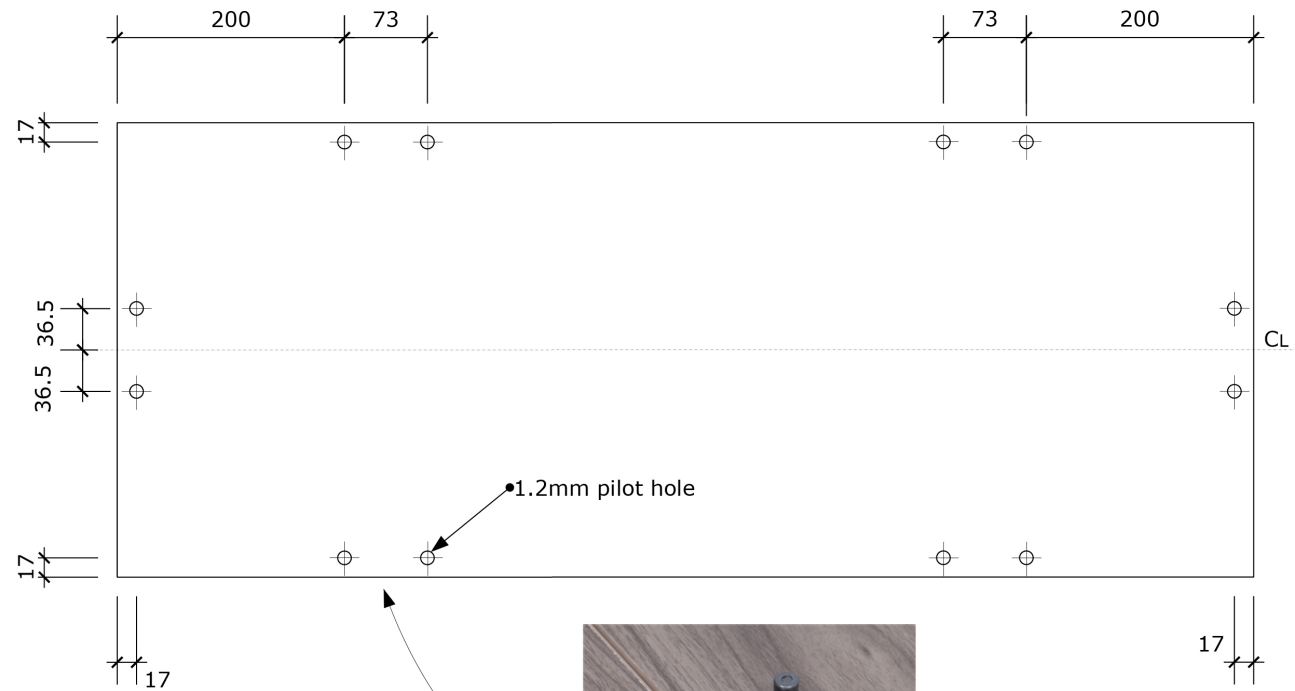
**Step 4:**



# Modulus Flip

## Assembly Instructions

Hole Position for Optional Connector



### **ANNUAL CHECK:**

Once every 12 months make sure all the mounting bolts on the underside of the table top are tight, the castors run smoothly and the flip mechanism operates smoothly.

### **TOP CARE**

Modulus tables are supplied standard with melamine tops. Clean tops regularly by wiping them down with a damp cloth and a general purpose cleaner/detergent. For best results use streak free glass cleaner.

#### Stain and Mark Removal

- Stubborn marks or stains – apply Handy Andy or diluted Janola (1 part to 3 parts water), then wipe down with a warm damp cloth.
- Smearing, finger marks, marking from cold or hot dishes, stickiness – apply 1 or 2 applications of acetone (available at pharmacies) and wipe over with dry cloth.
- Felt pen or dry marker – use methylated spirits or acetone
- Paint – use acetone or thinners (from a paint shop)
- Glue – contact type – use Ados Solvent N (from a paint shop)

Follow on with streak free glass cleaner to remove any residues.

### **FRAME CARE**

Keep the plastic & metal components of your table clean by wiping them down with a damp cloth and a general purpose cleaner/detergent. For best results use streak free glass cleaner.