

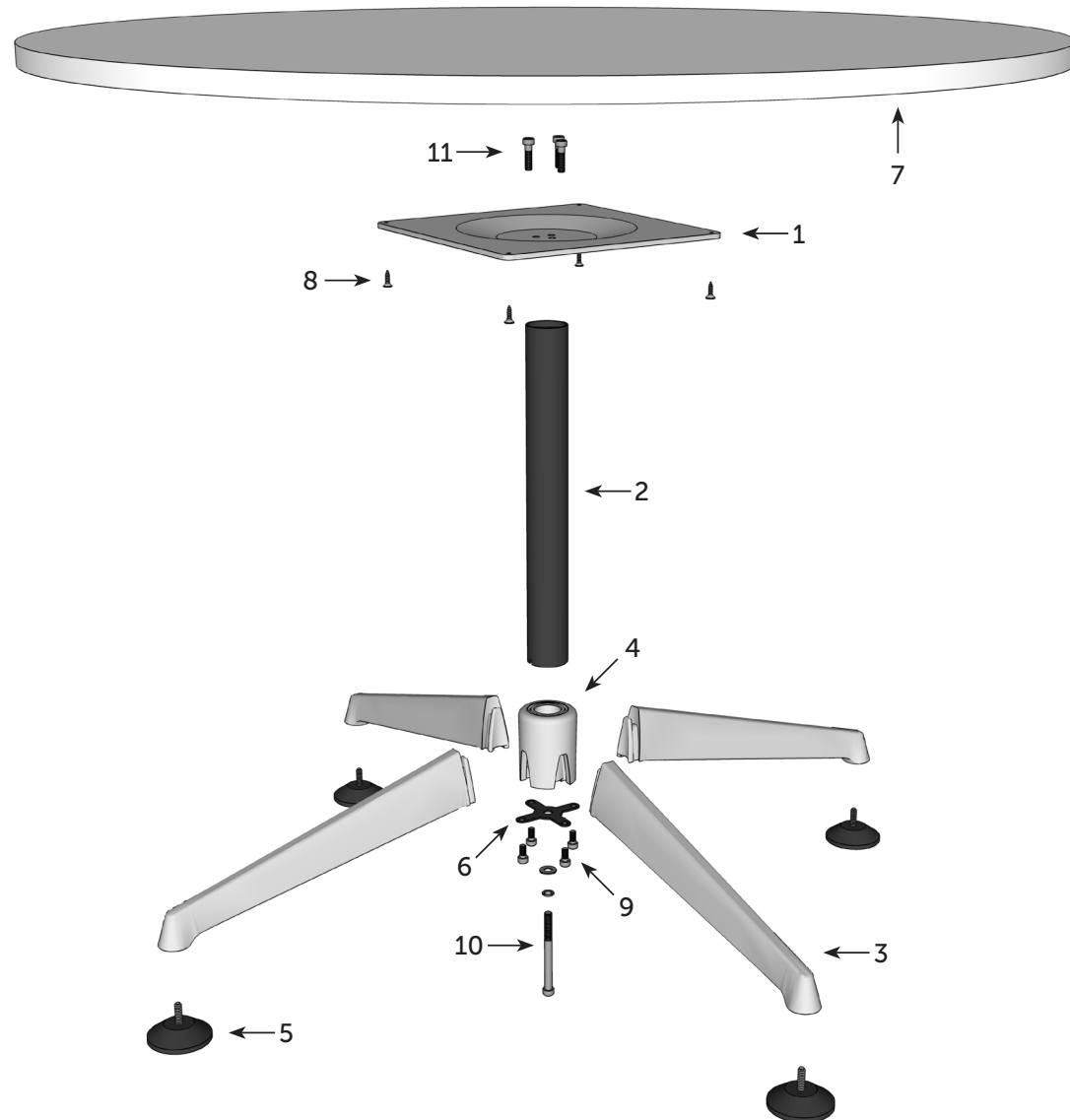
Modulus Single Post Pedestal Table

Installation Guide

TOOLS REQUIRED: Powered screwdriver.

Modulus Single Post Pedestal Table

INSTALLATION GUIDE



COMPONENTS

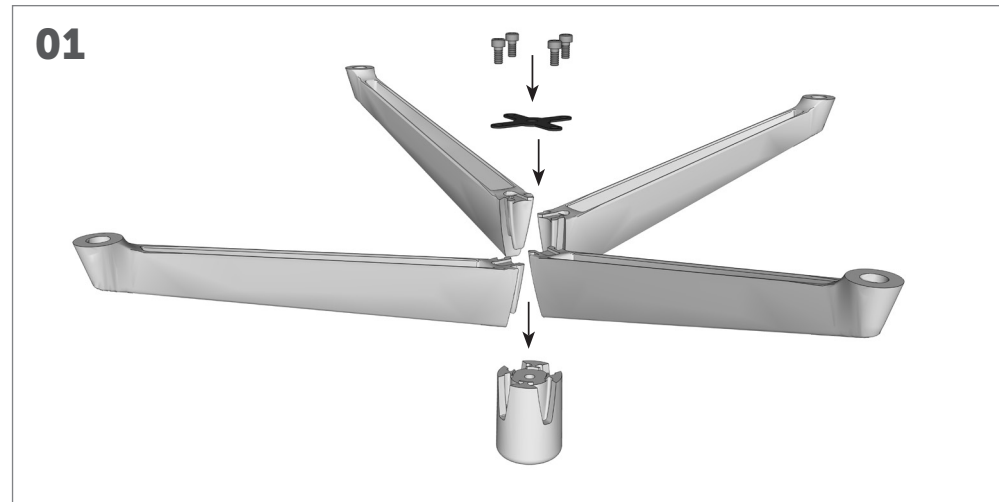
- 1 Steel Plate x1
- 2 Feet Tube x1
- 3 Large Foot x4
- 4 Cross Collar x1
- 5 Foot Glides x4
- 6 Cross Gasket x1
- 7 Table Top x1

SCREWS

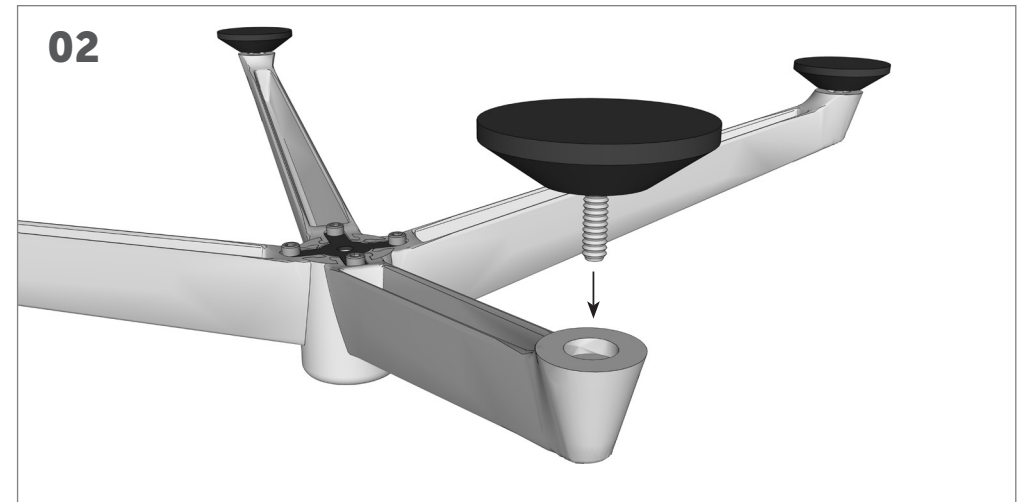
- 8 M5x20mm Self Tapping x4
- 9 M8x16mm x4
- 10 M10x110mm x1
- 11 M8x30mm x3

Modulus Single Post Pedestal Table

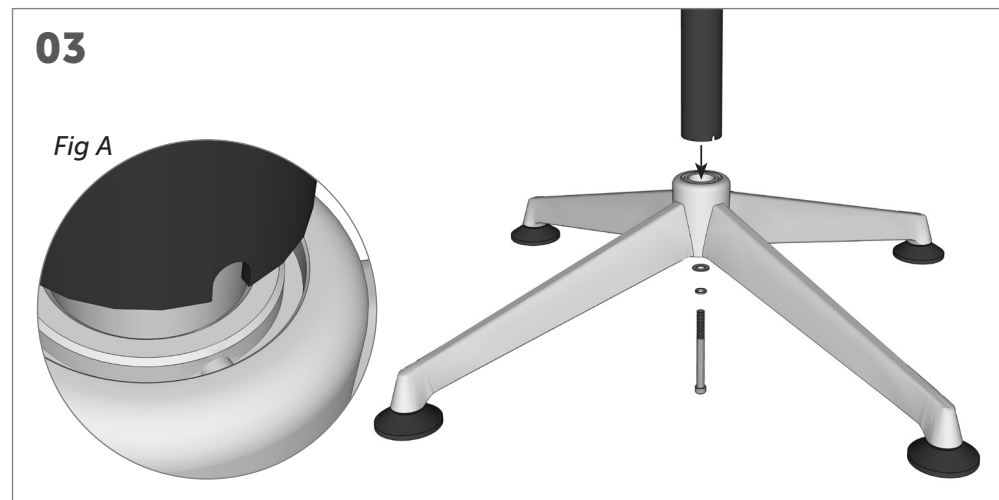
INSTALLATION GUIDE



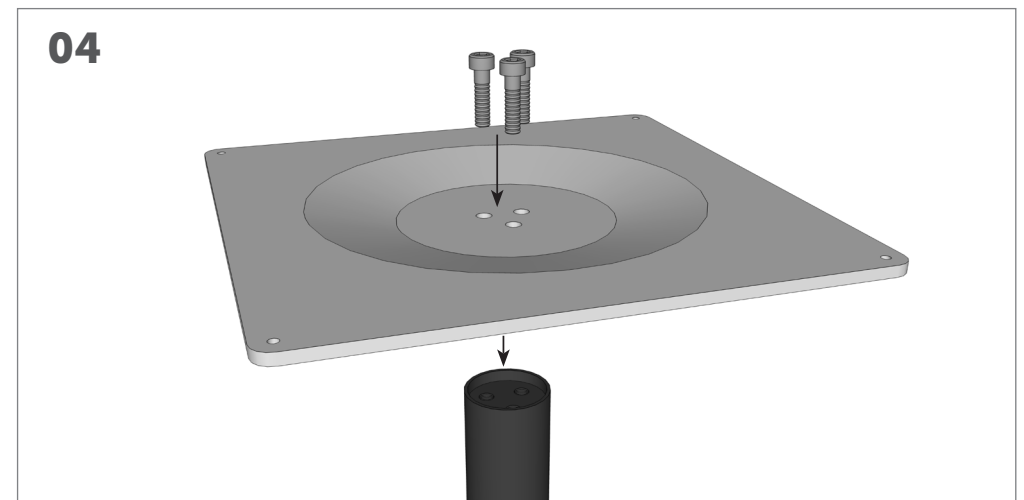
Slide the 4 large feet into the cross collar. Place the cross gasket on top of the feet and collar, and tighten 4xM5 screws into the cross collar.



Screw the 4 glides into the base of the large feet, leaving the glides one turn from tight (then they can be adjusted easily if the floor is uneven).



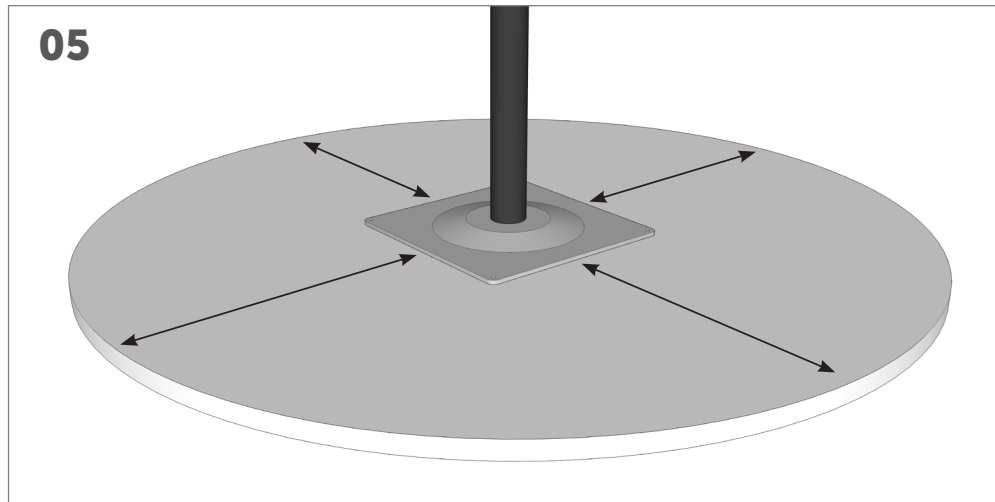
Place the feet tube into the cross collar, making sure the notch in the bottom of the tube is in-line with the bump inside the cross collar **Fig A**. Fully tighten the large M10 bolt, spring washer and flat washer through the gasket and collar into the tube.



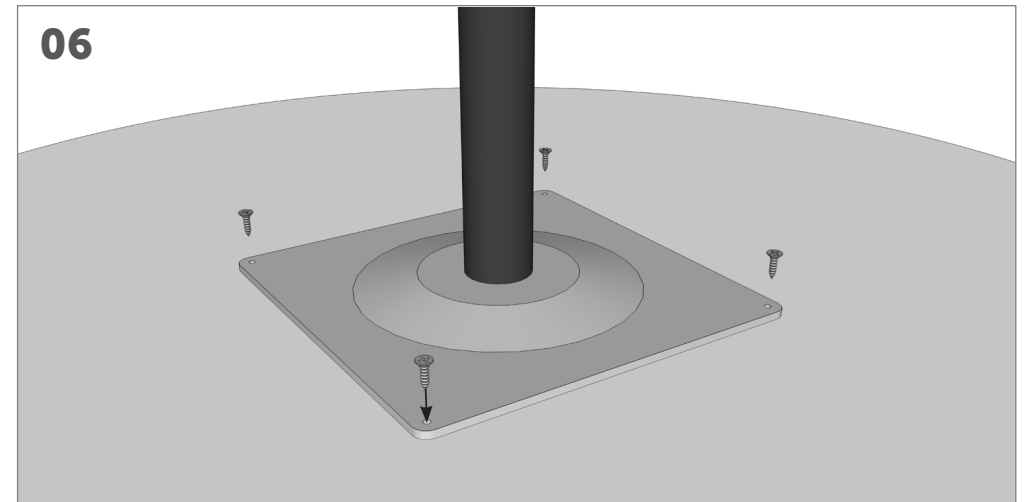
Locate the steel plate on top of the feet tube, and line up the 3 holes. Fully tighten the 3 screws into the tube.

Modulus Single Post Pedestal Table

INSTALLATION GUIDE



With the frame assembled, place it upside down onto the work surface, and measure the top from all sides to make sure it's centered.



Fully tighten the last 4 self tapping screws into the work surface.

