

Modulus Single Sided Workspace

Assembly Instructions

Modulus Single Sided Workspace

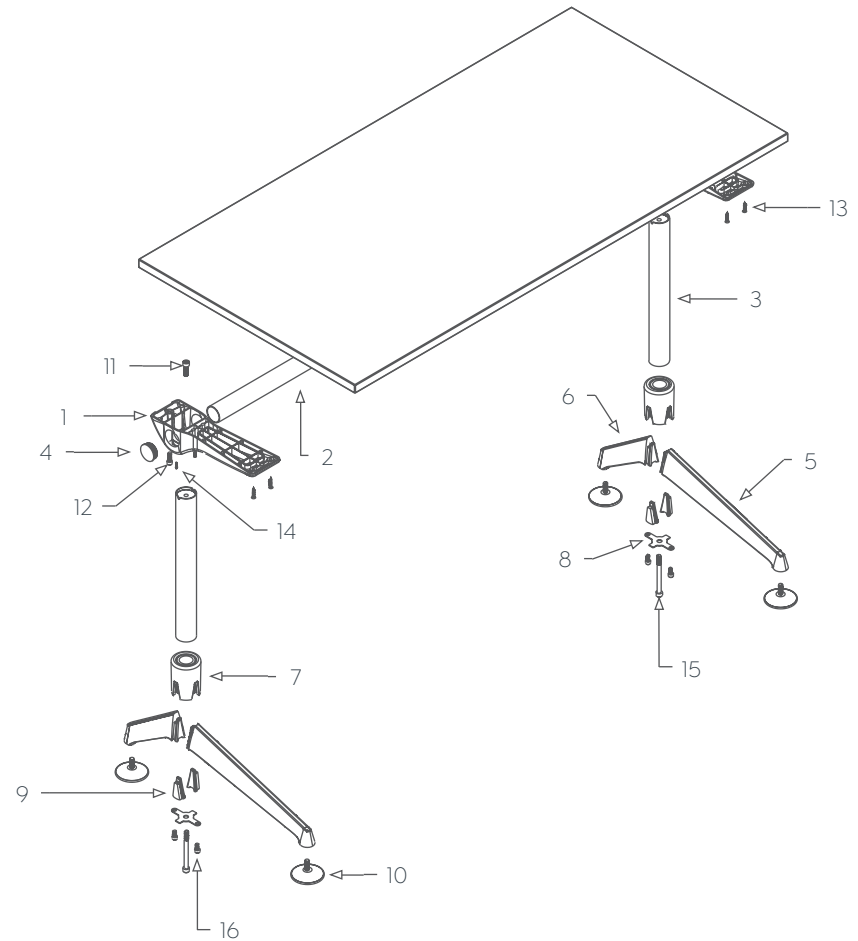
Components List

Components

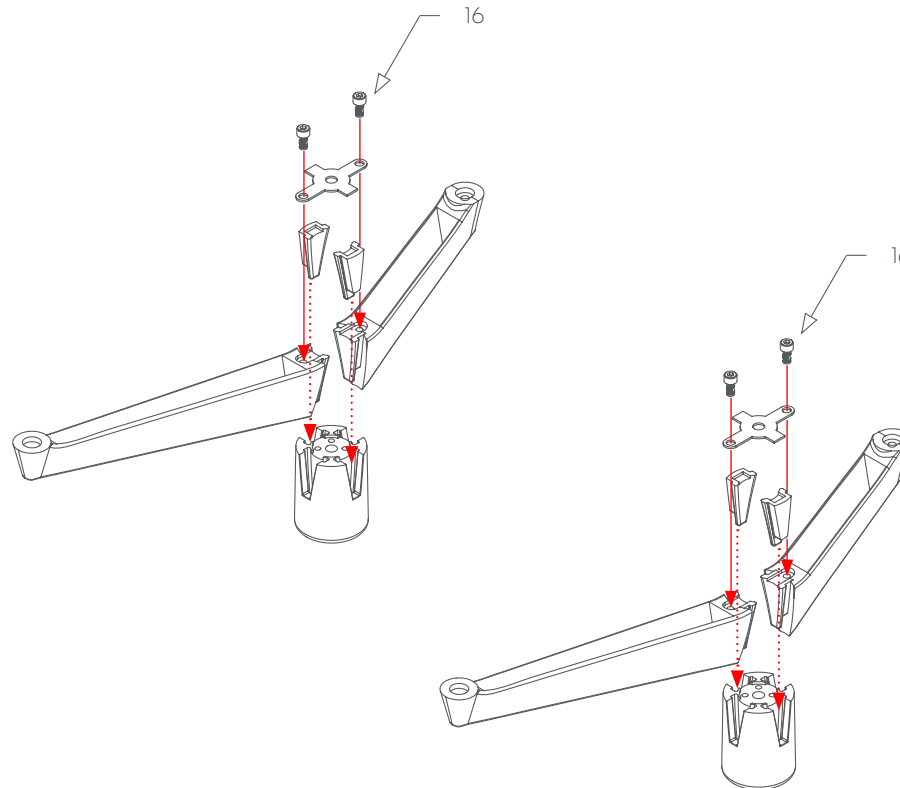
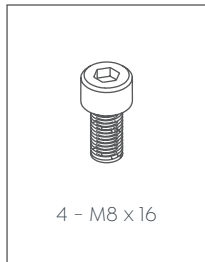
	Components	QTY	Part No.
1	Die Cast Upper Wrist	x2	MODZA06
2	Top Rail	x1	FWTOPRAIL
3	Leg-pole Tube Ø51	x2	MODZA22-695
4	Top Rail Cap	x2	MODZA18
5	Large Foot	x2	MODZA12
6	Small Foot	x2	
7	Cross Connector	x2	MODZA01
8	Gasket	x2	
9	Collar Plug	x4	MODZA15
10	Foot Glide	x4	MODZA25

Screws

	Screws	QTY
11	M10 x 30mm	x2
12	M8 x 25mm	x4
13	M5 x 30mm Self Tapping	x4
14	M8 x 16mm Grub Screw	x4
15	M10 x 110mm	x2
16	M8 x 16mm	x4



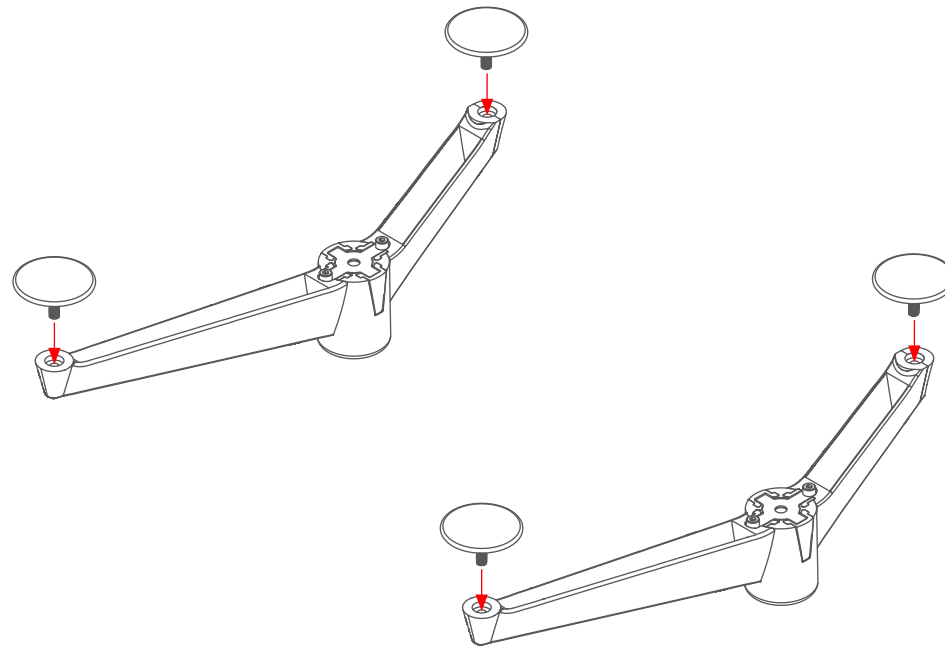
STEP 1:



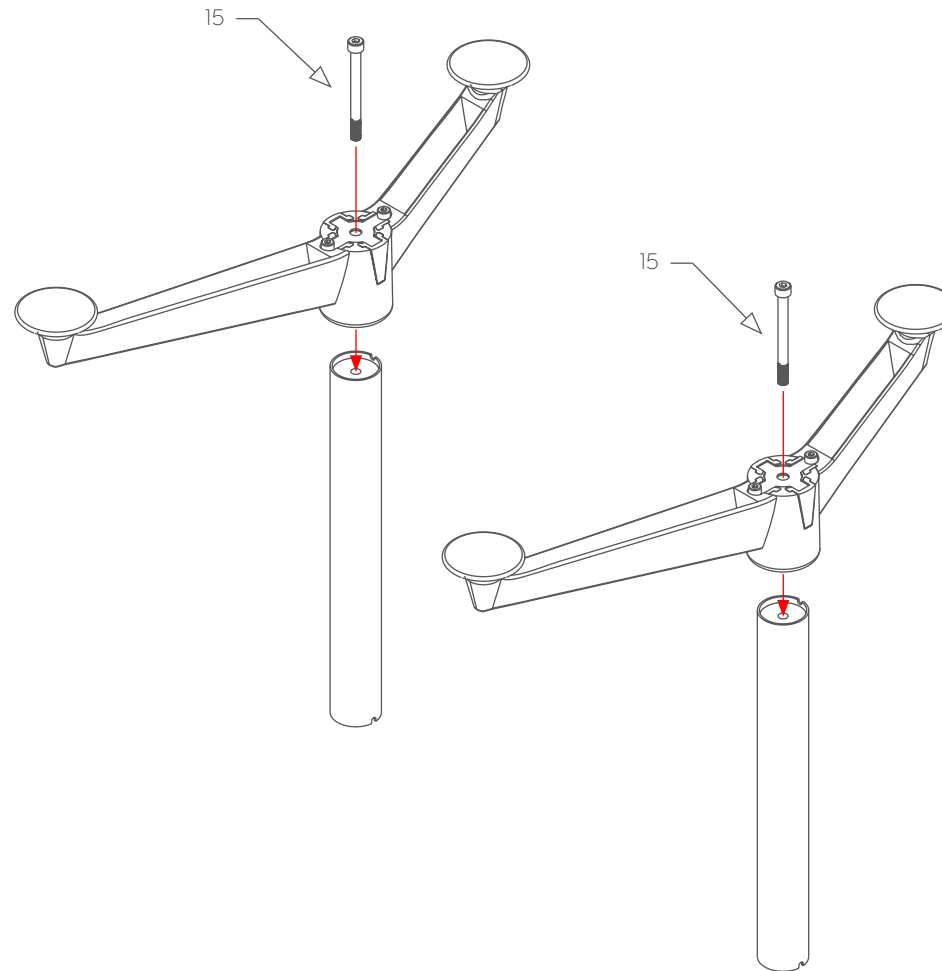
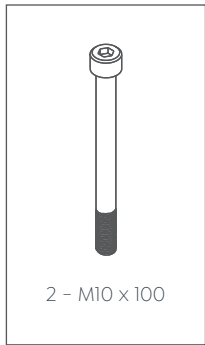
Modulus Single Sided Workspace

Assembly Instructions

STEP 2:



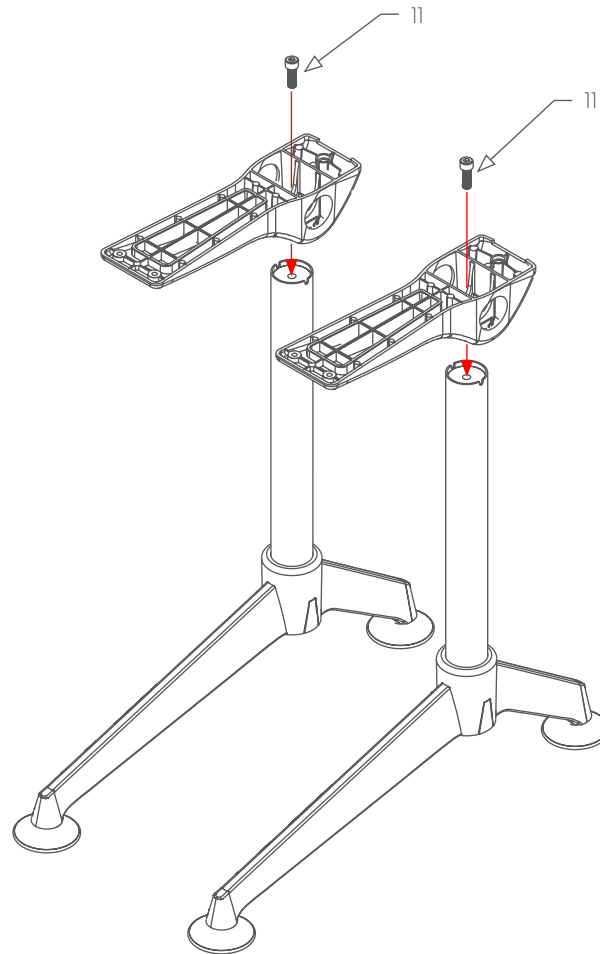
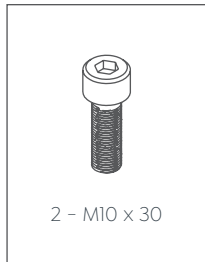
STEP 3:



Modulus Single Sided Workspace

Assembly Instructions

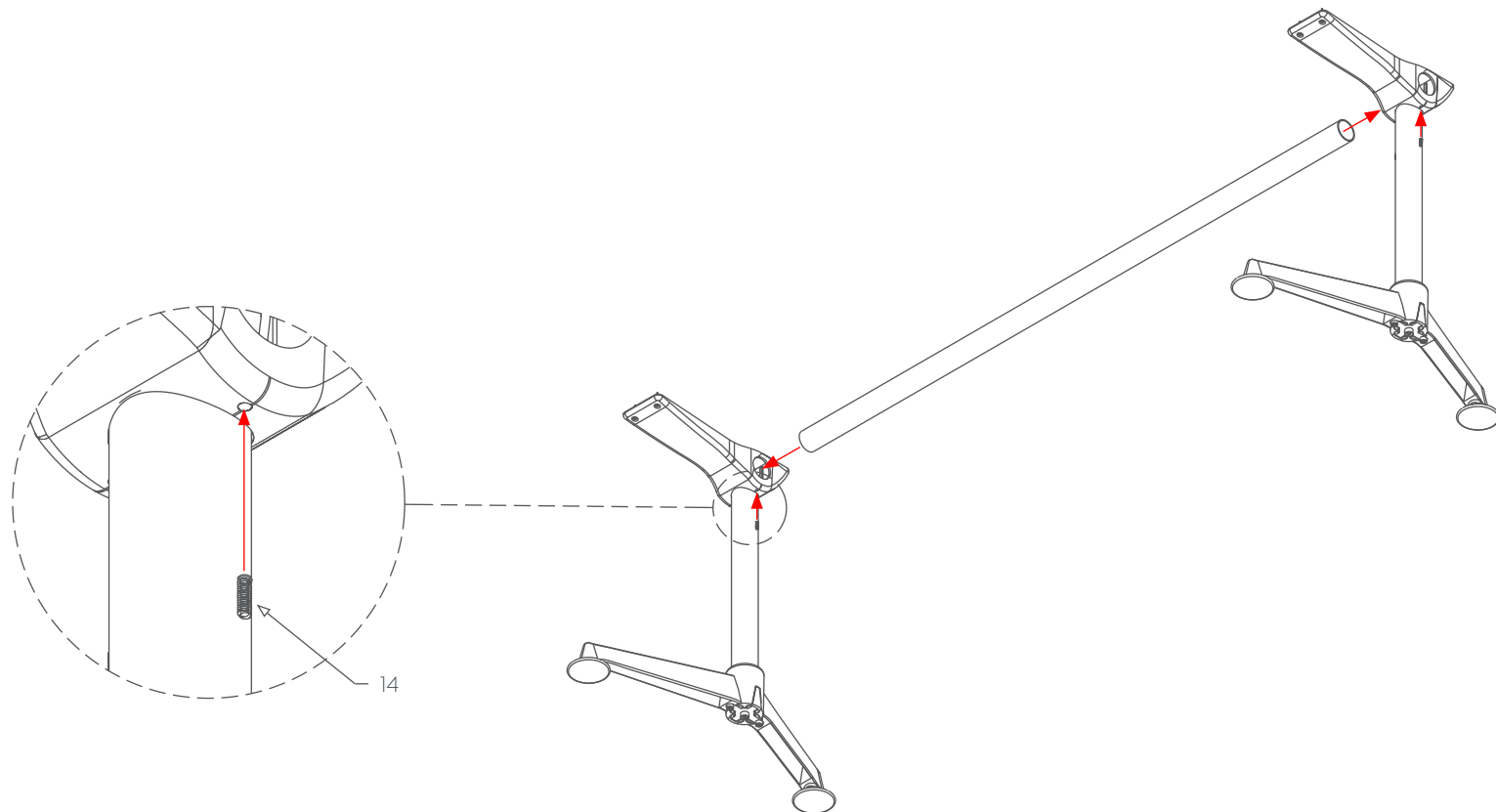
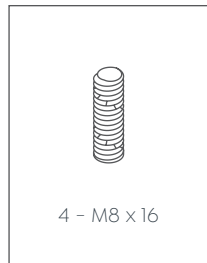
STEP 4:



Modulus Single Sided Workspace

Assembly Instructions

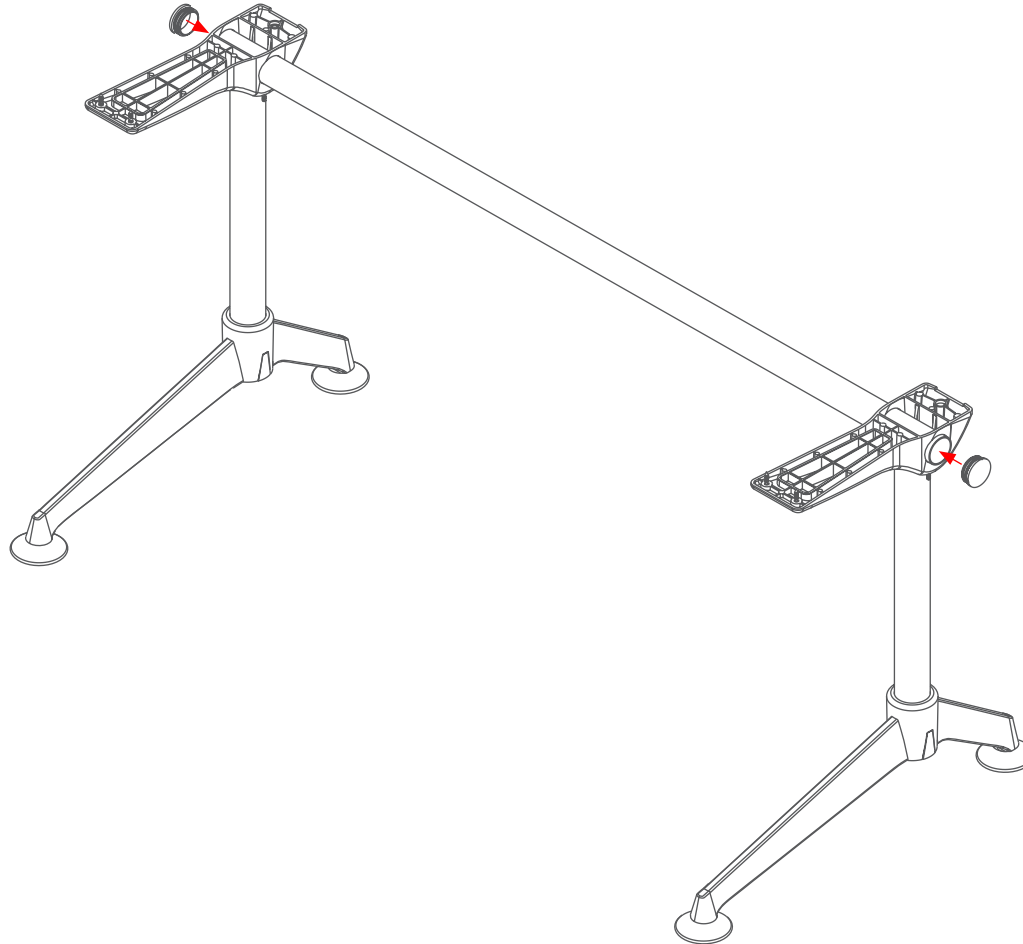
STEP 5:



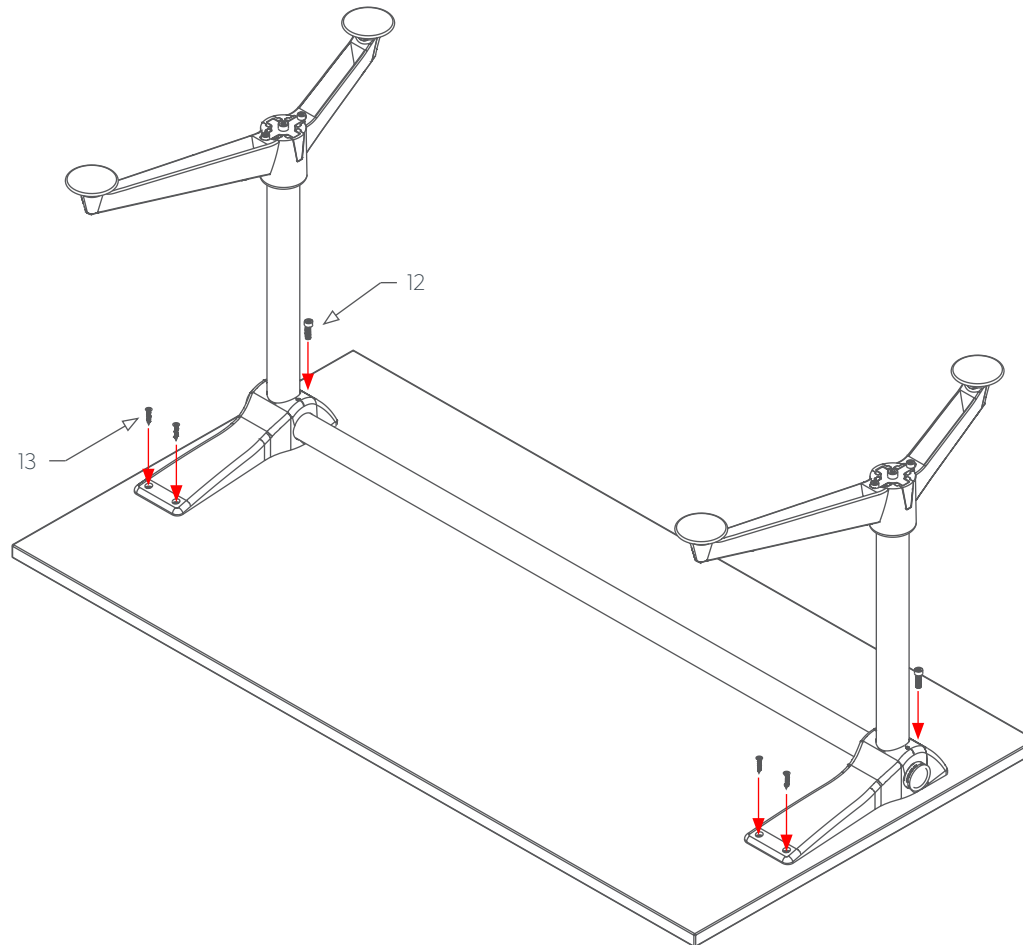
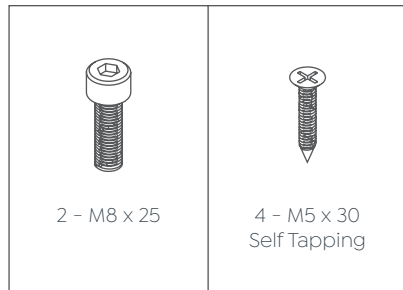
Modulus Single Sided Workspace

Assembly Instructions

STEP 6:



STEP 7:



Modulus Single Sided Workspace

Assembly Instructions

STEP 8:

