

Modulus Single Post Collar Leg Table - Single Span

Assembly Instructions

Modulus Single Post Collar Leg Table - Single Span

Components List

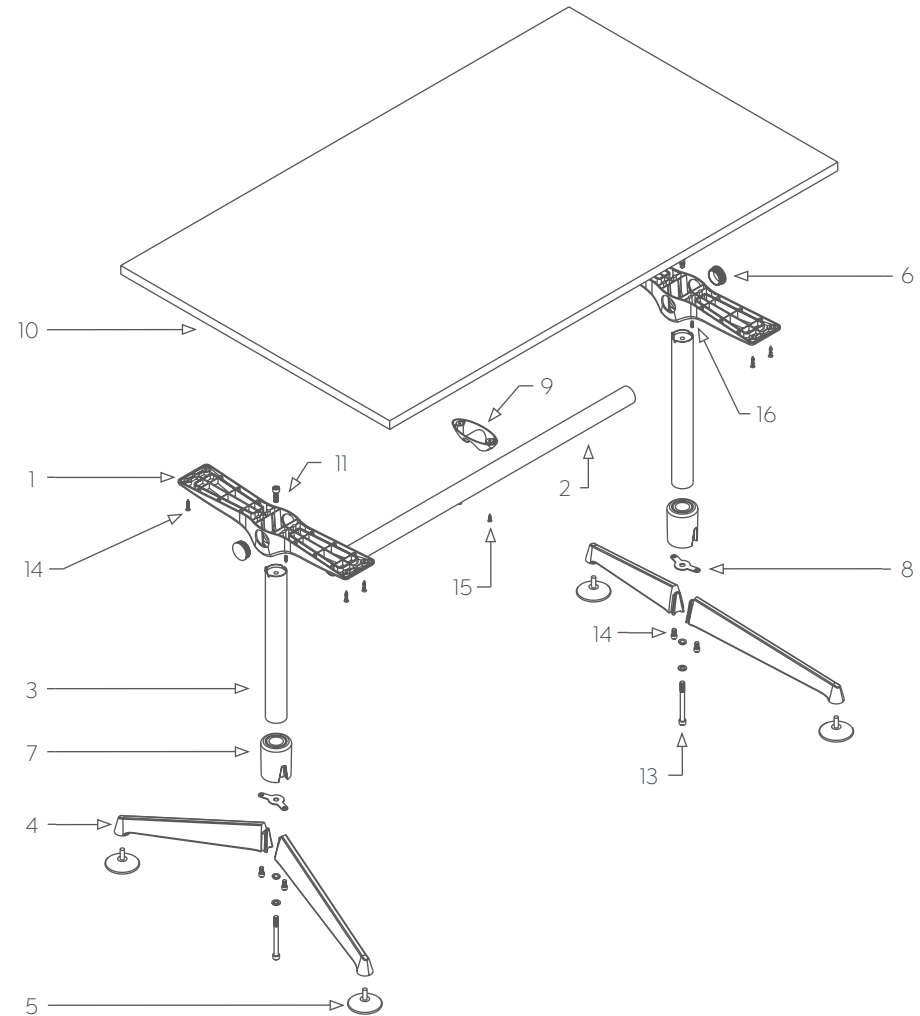
Components

	QTY	Part No.
1 Die Cast Upper Wrist	x2	MODZA06
2 Top Rail	x1	FWTOPRAIL
3 Leg-Pole Tube Ø51	x2	
4 Large Foot	x4	MODZA12
5 Foot Glide	x4	MODZA25
6 Top Rail Plastic Plug	x2	MODZA18
7 150° Collar	x2	MODZA02
8 150° Gasket	x2	
9 Plastic Support	x1	MODZA16
10 Worktop	x1	

Screws

	QTY
11 M10 x 30mm	x2
12 M10 x 110mm	x2
13 M8 x 16mm	x4
14 M5 x 25mm Self Tapping	x8
15 M4 x 20mm Self Tapping	x2
16 M8 x 16mm Grub Screw	x 4

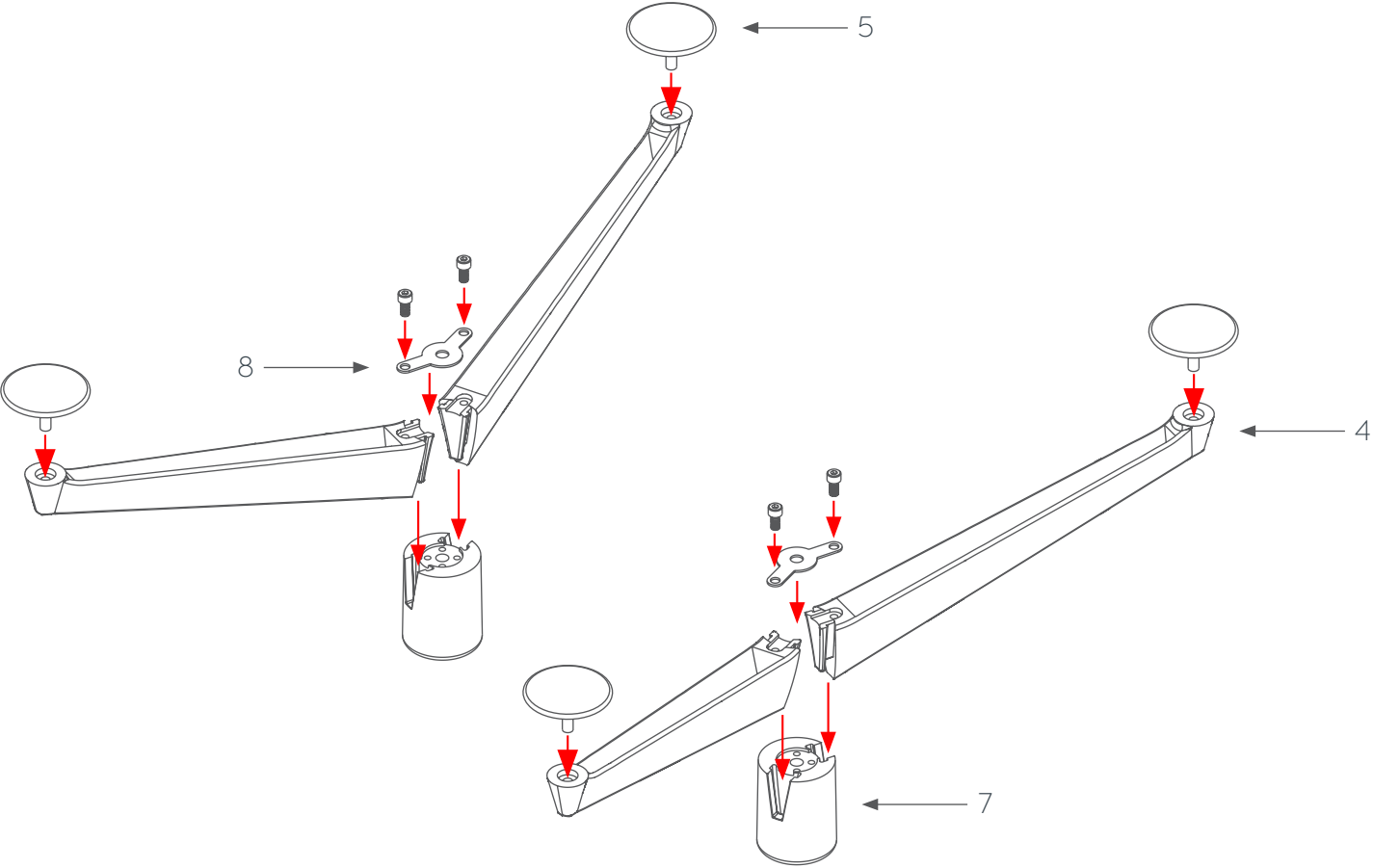
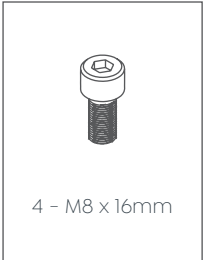
Tools Required: Powered Screwdriver



Modulus Single Post Collar Leg Table - Single Span

Assembly Instructions

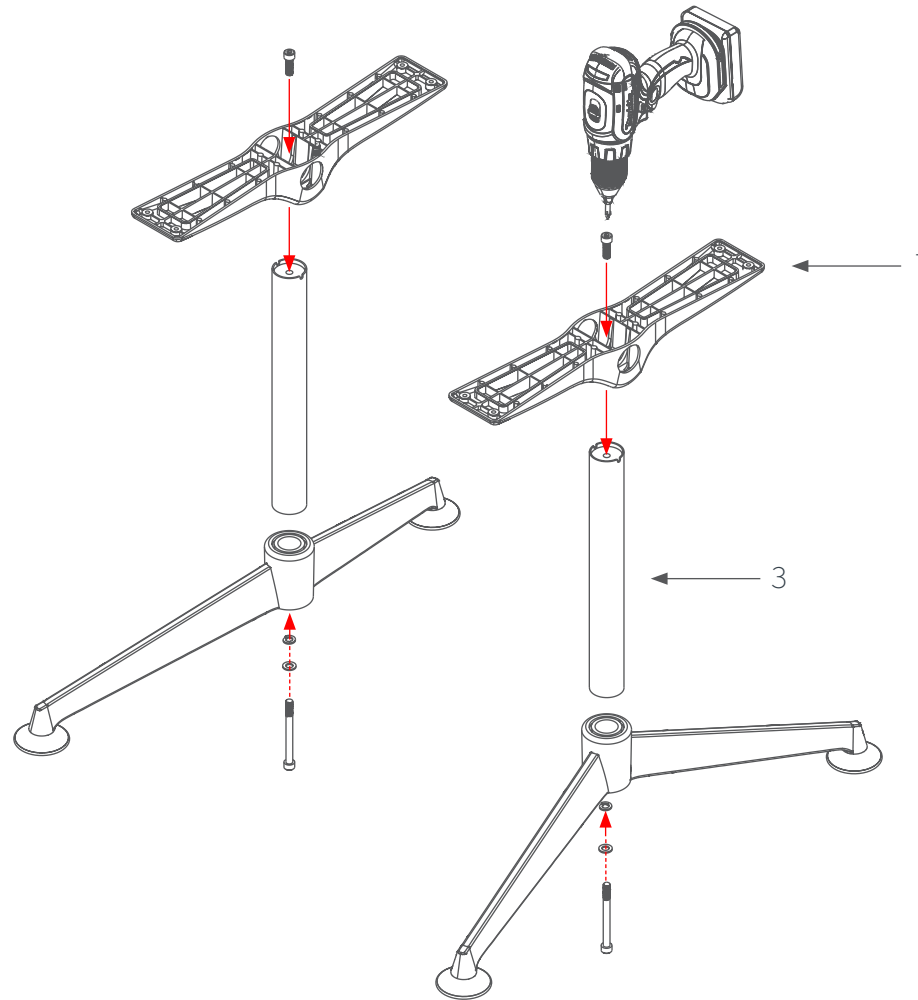
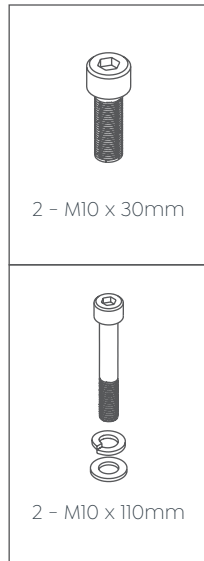
STEP 1:



Modulus Single Post Collar Leg Table - Single Span

Assembly Instructions

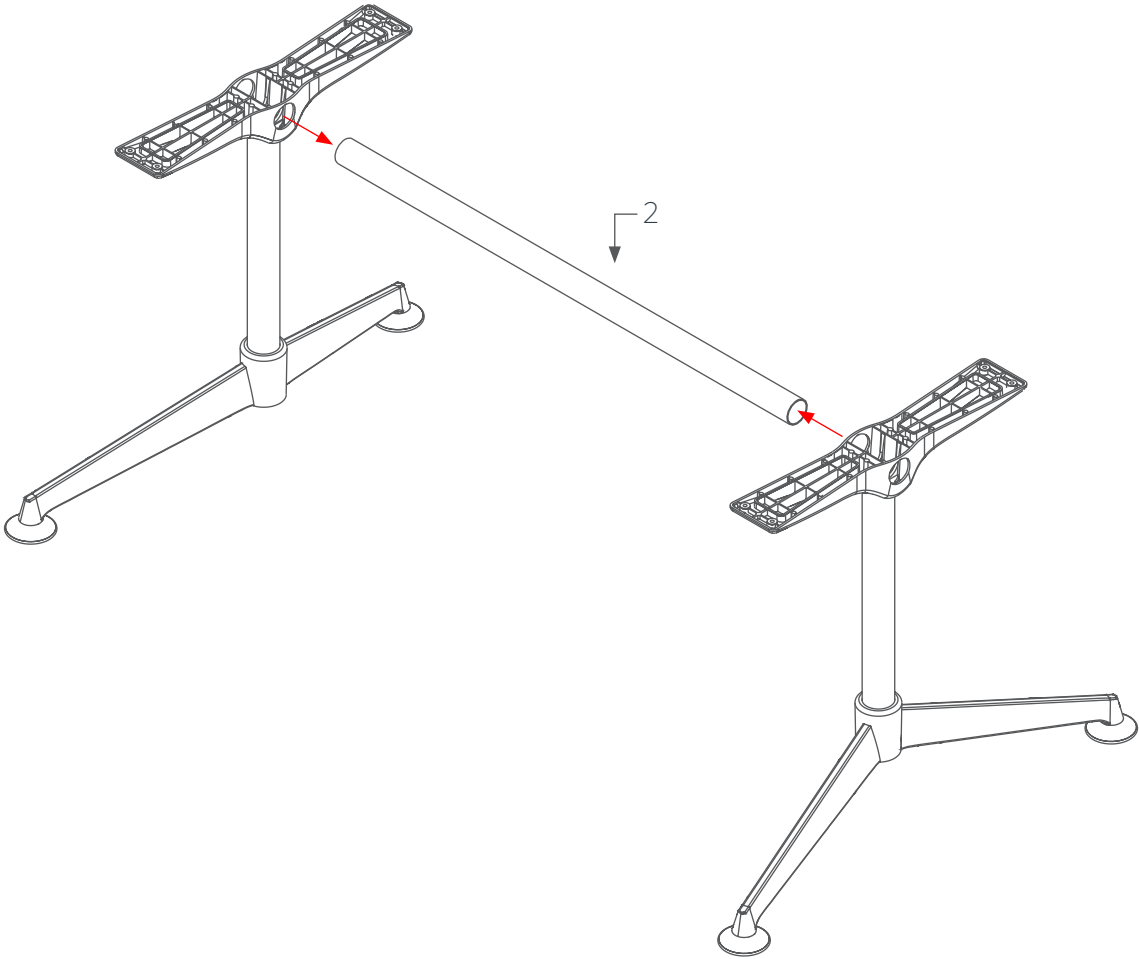
STEP 2:



Modulus Single Post Collar Leg Table - Single Span

Assembly Instructions

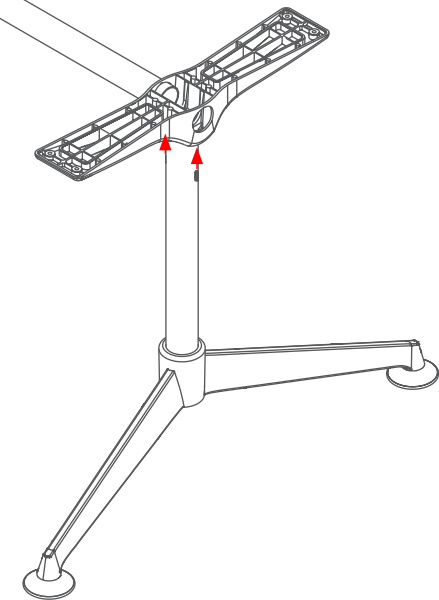
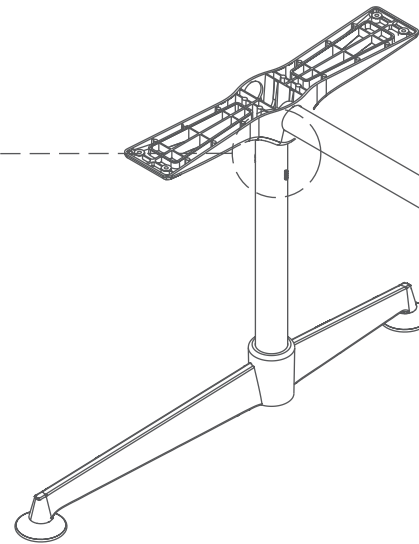
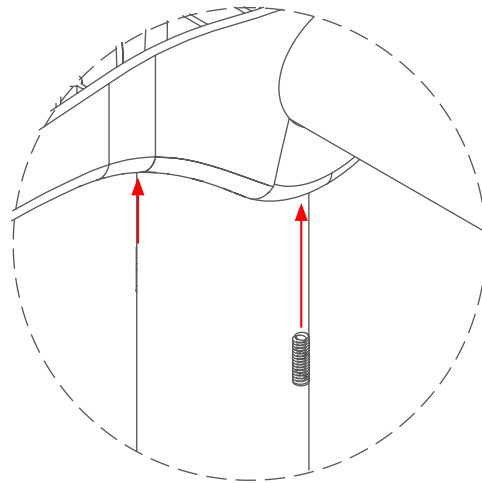
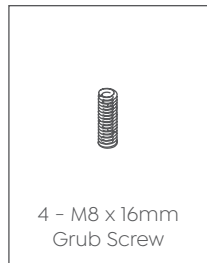
STEP 3:



Modulus Single Post Collar Leg Table - Single Span

Assembly Instructions

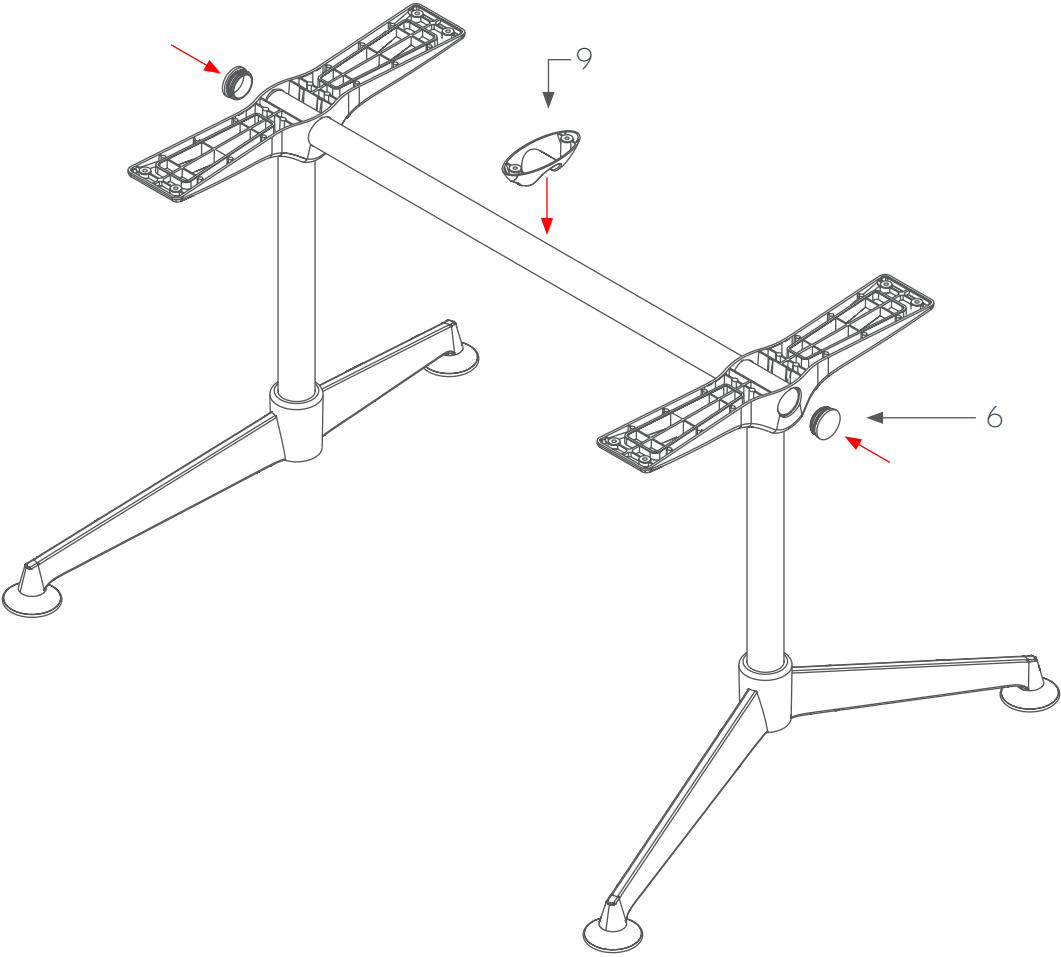
STEP 4:



Modulus Single Post Collar Leg Table - Single Span

Assembly Instructions

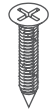
STEP 5:



Modulus Single Post Collar Leg Table - Single Span

Assembly Instructions

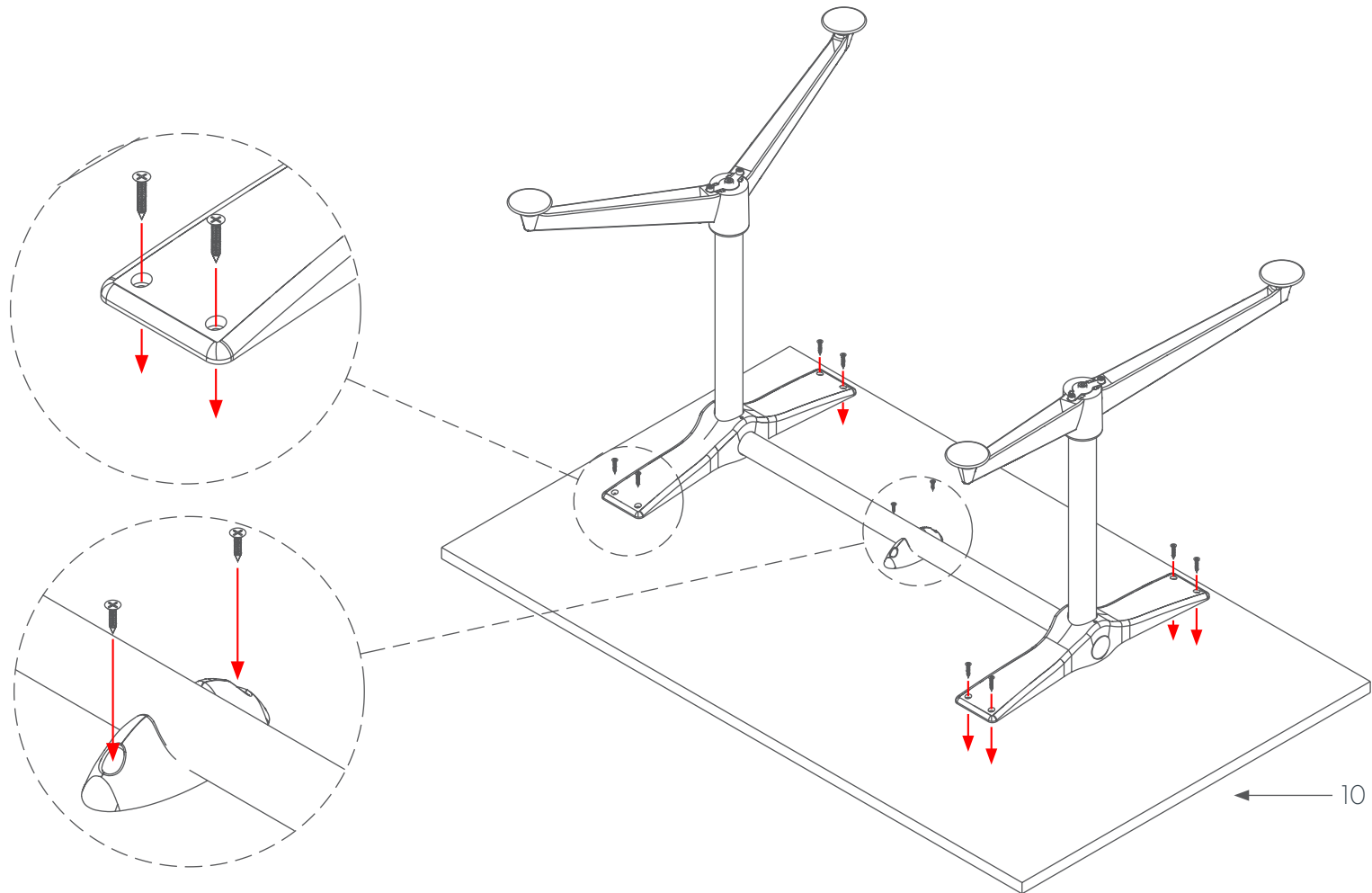
STEP 6:



8 - M5 x 25mm
Self Tapping



2 - M4 x 20mm
Self Tapping



Modulus Single Post Collar Leg Table - Single Span

Assembly Instructions

Complete:

