

---

## **Modulus Twin Pole Single Span Table**

Assembly Instructions

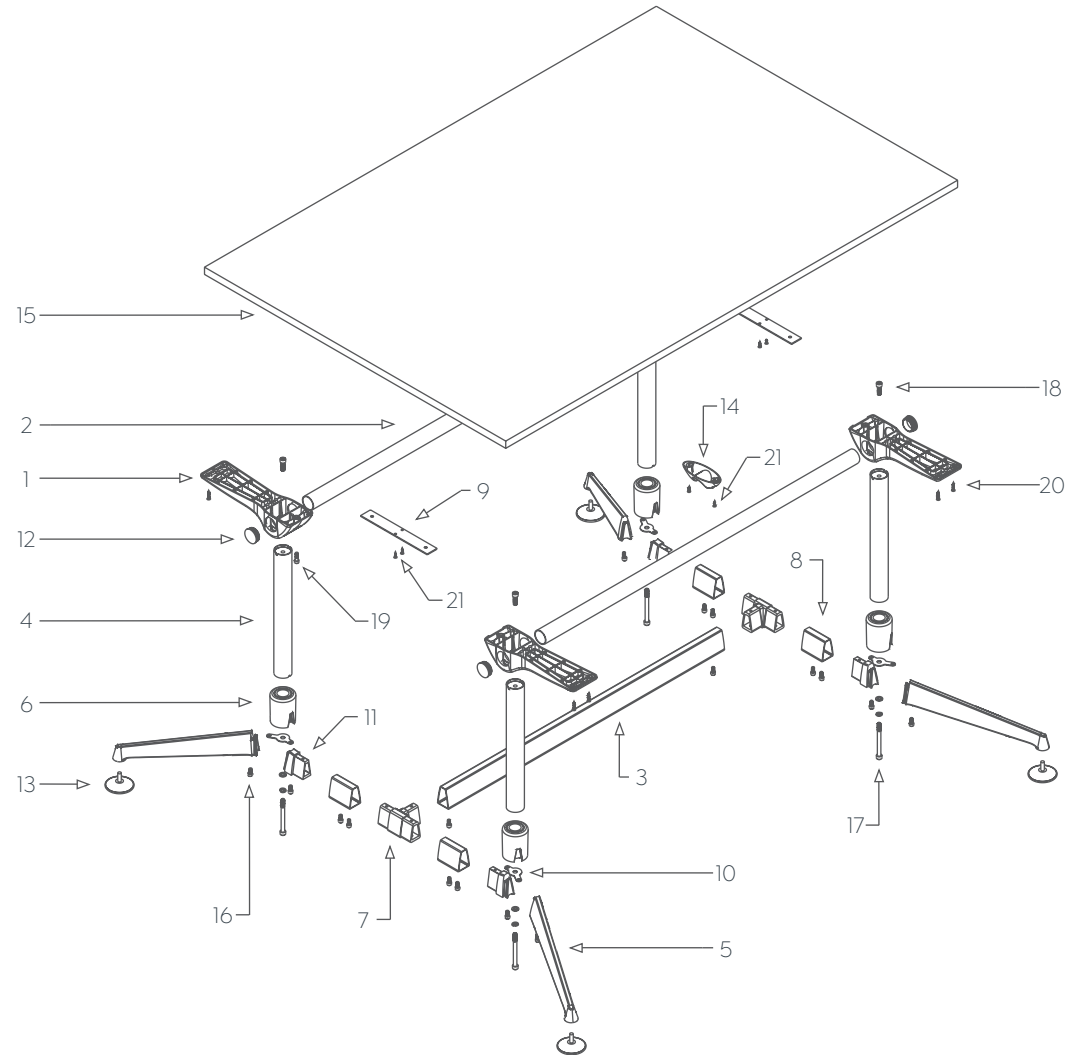
# Modulus Twin Pole Single Span Table

## Components List

Components	QTY	Part No.
1 Die Cast Upper Wrist	x4	MODZA06
2 Top Rail	x2	FWTOPRAIL
3 Bottom Rail	x1	FWBOTRAIL
4 Leg-Pole Tube Ø51	x4	MODZA22-695
5 Large Foot	x4	MODZA12
6 150° Collar	x4	MODZA02
7 Bottom T-Connector	x2	MODZA07
8 T-Tube	x4	FW...SET
9 Steel Wrist Wrap	x2	FW...SET
10 150° gasket	x4	MODZA28
11 Collar Connector	x4	MODZA09
12 Top Rail Cap	x4	MODZA18
13 Foot Glide	x4	MODZA25
14 Plastic Support	x2	MODZA16
15 Worktop	x1	

Screws	QTY
16 M8 x 16mm	x18
17 M10 x 110mm	x4
18 M8 x 30mm	x4
19 M8 x 25mm	x4
20 M5 x 30mm Self Tapping	x8
21 M5 x 20mm Self Tapping	x8

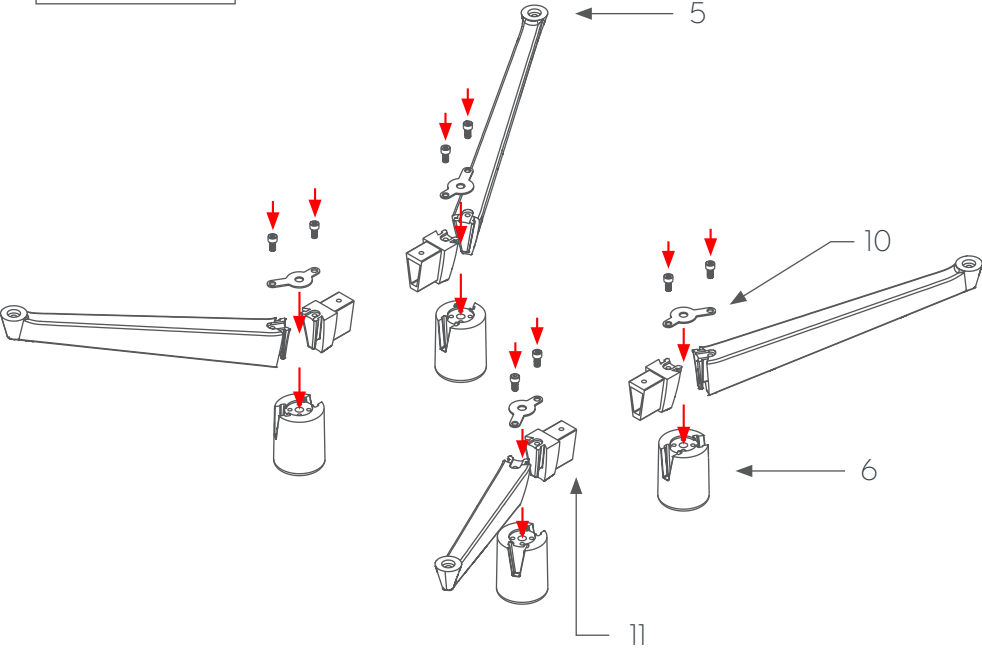
Tools Required: Powered Screwdriver



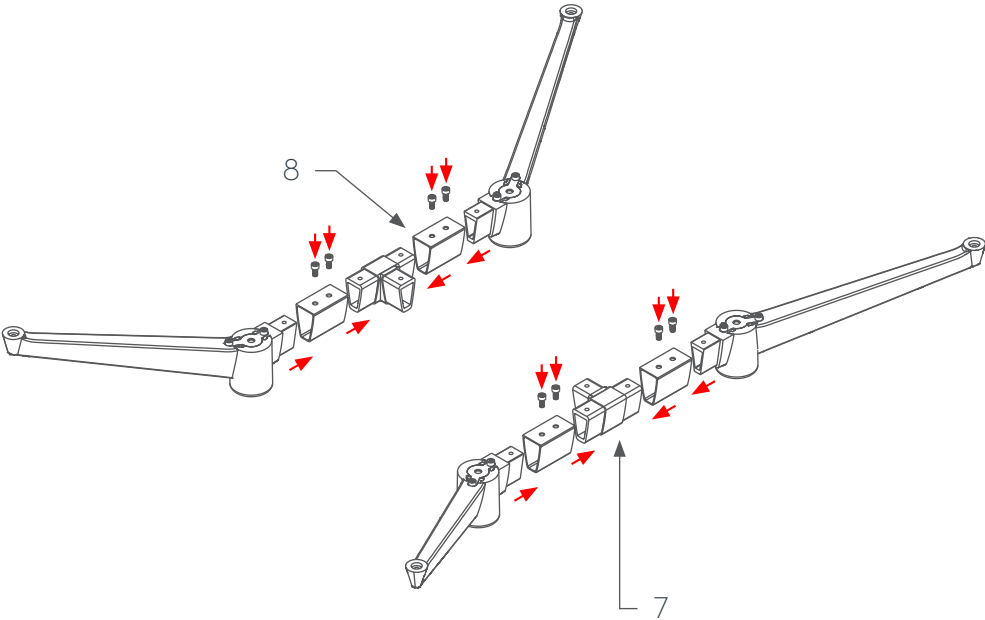
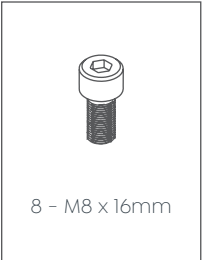
# Modulus Twin Pole Single Span Table

Assembly Instructions

## STEP 1:



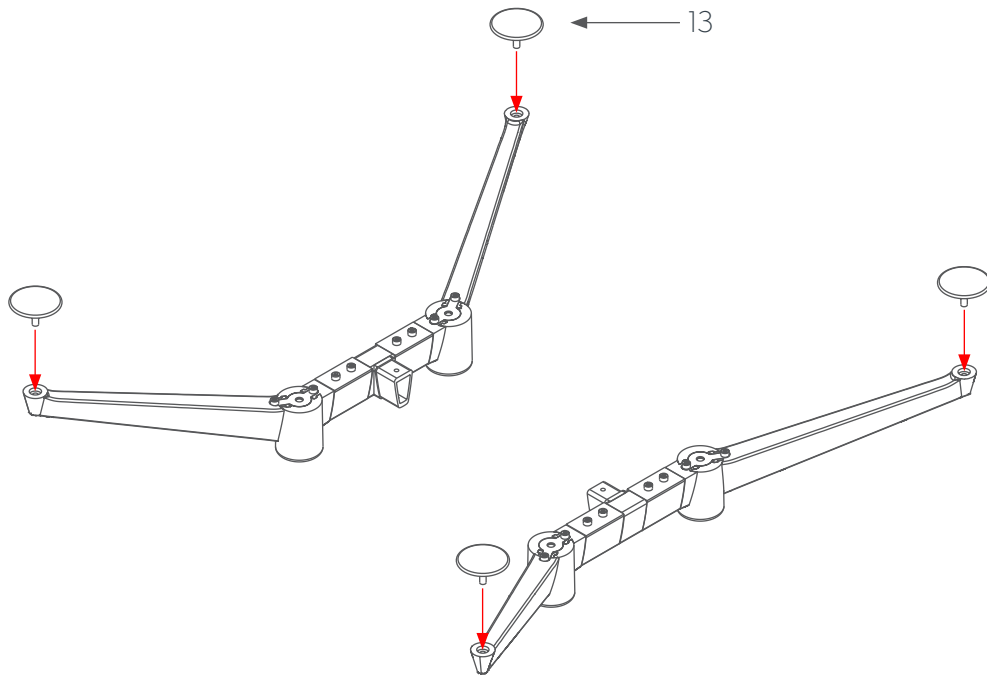
## STEP 2:



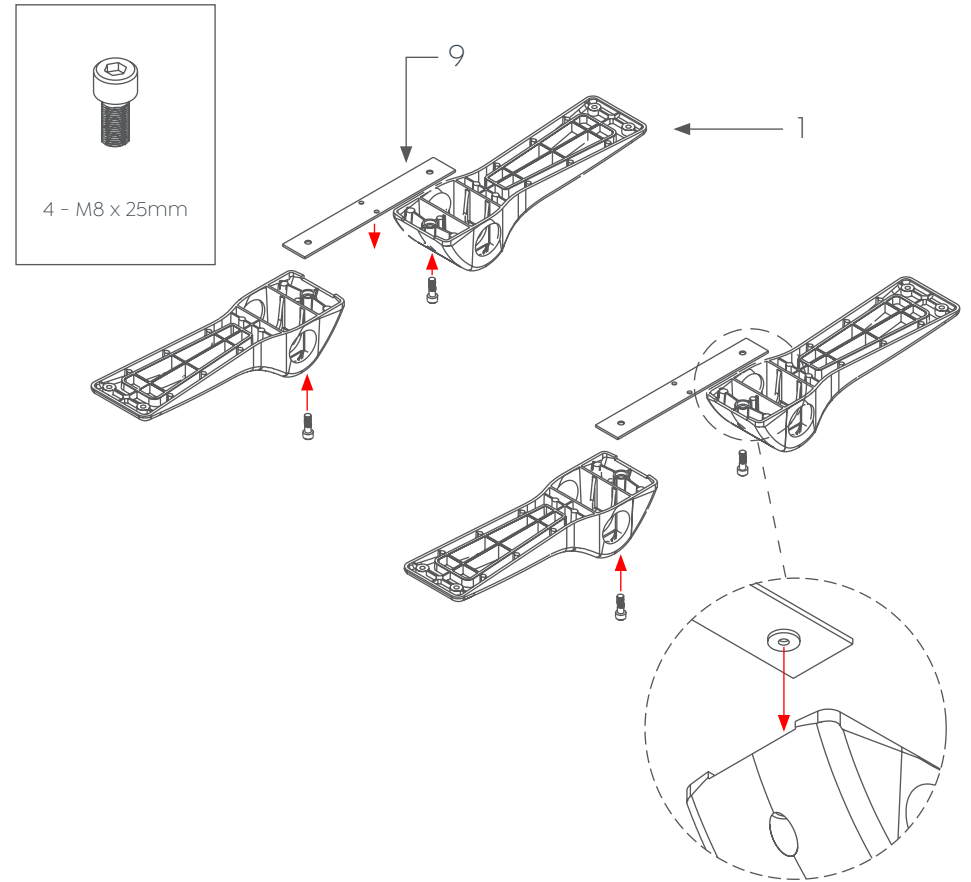
# Modulus Twin Pole Single Span Table

## Assembly Instructions

### STEP 3:



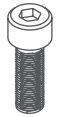
### STEP 4:



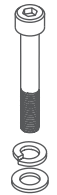
# Modulus Twin Pole Single Span Table

Assembly Instructions

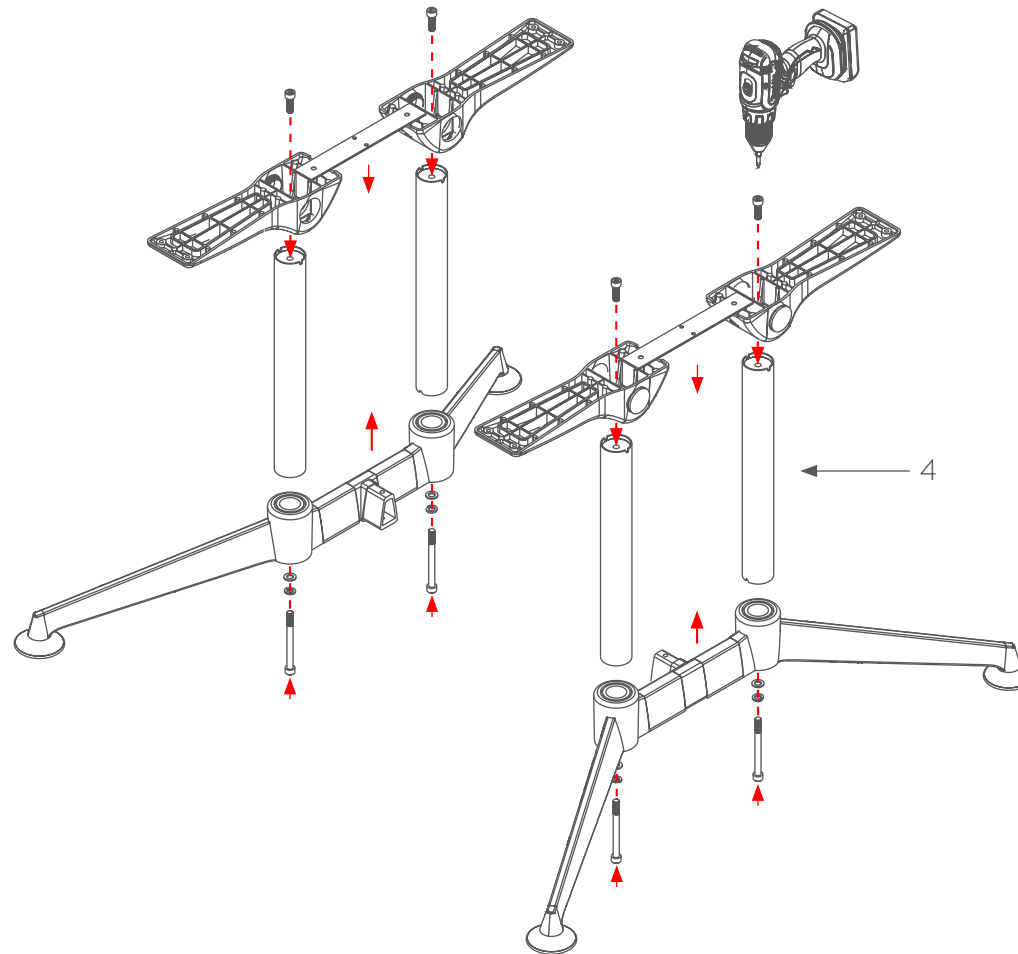
## STEP 5:



4 - M10 x 30mm



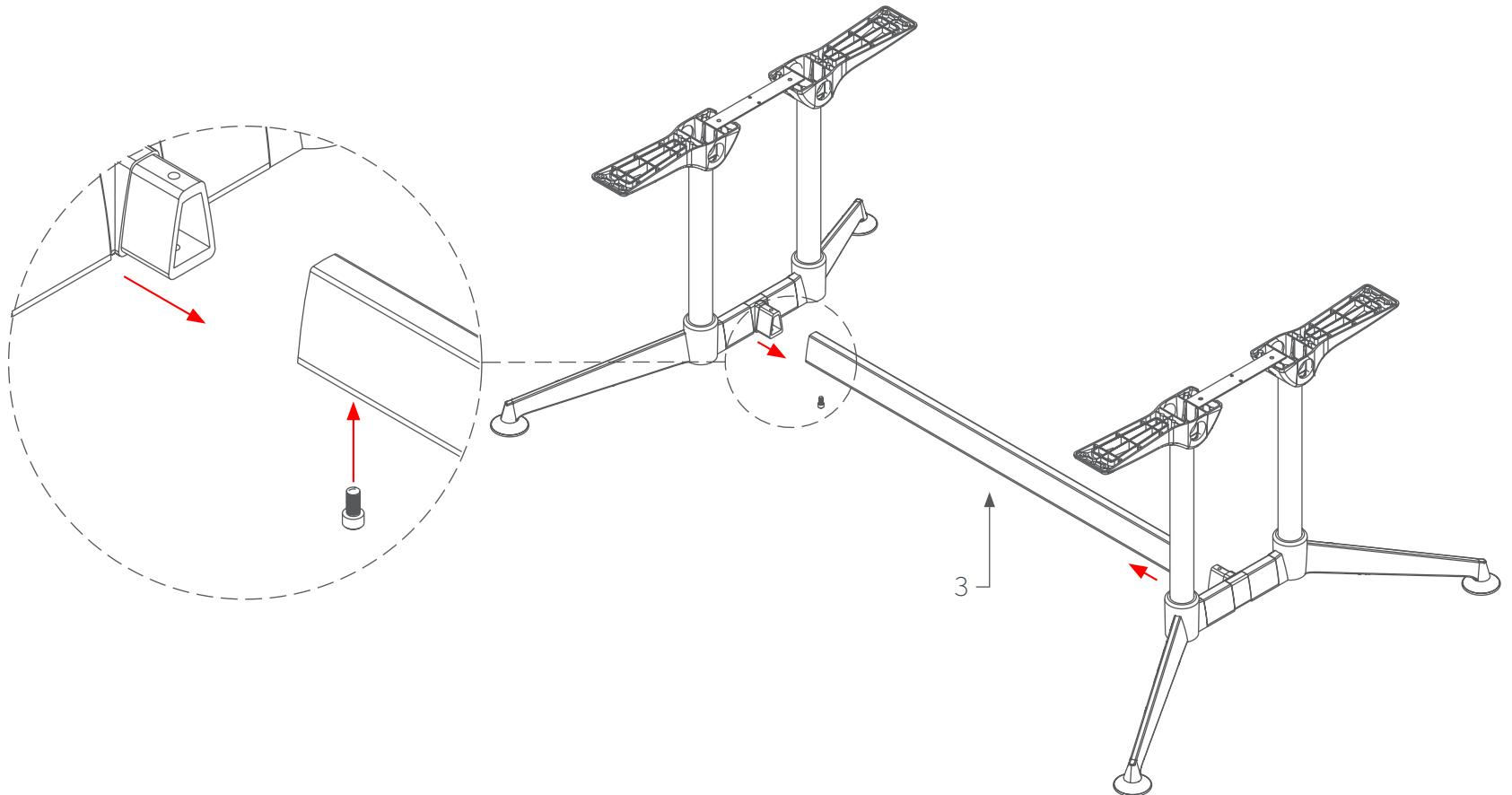
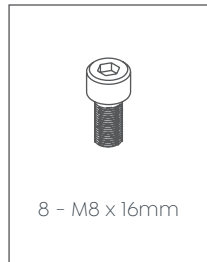
4 - M10 x 110mm



# Modulus Twin Pole Single Span Table

## Assembly Instructions

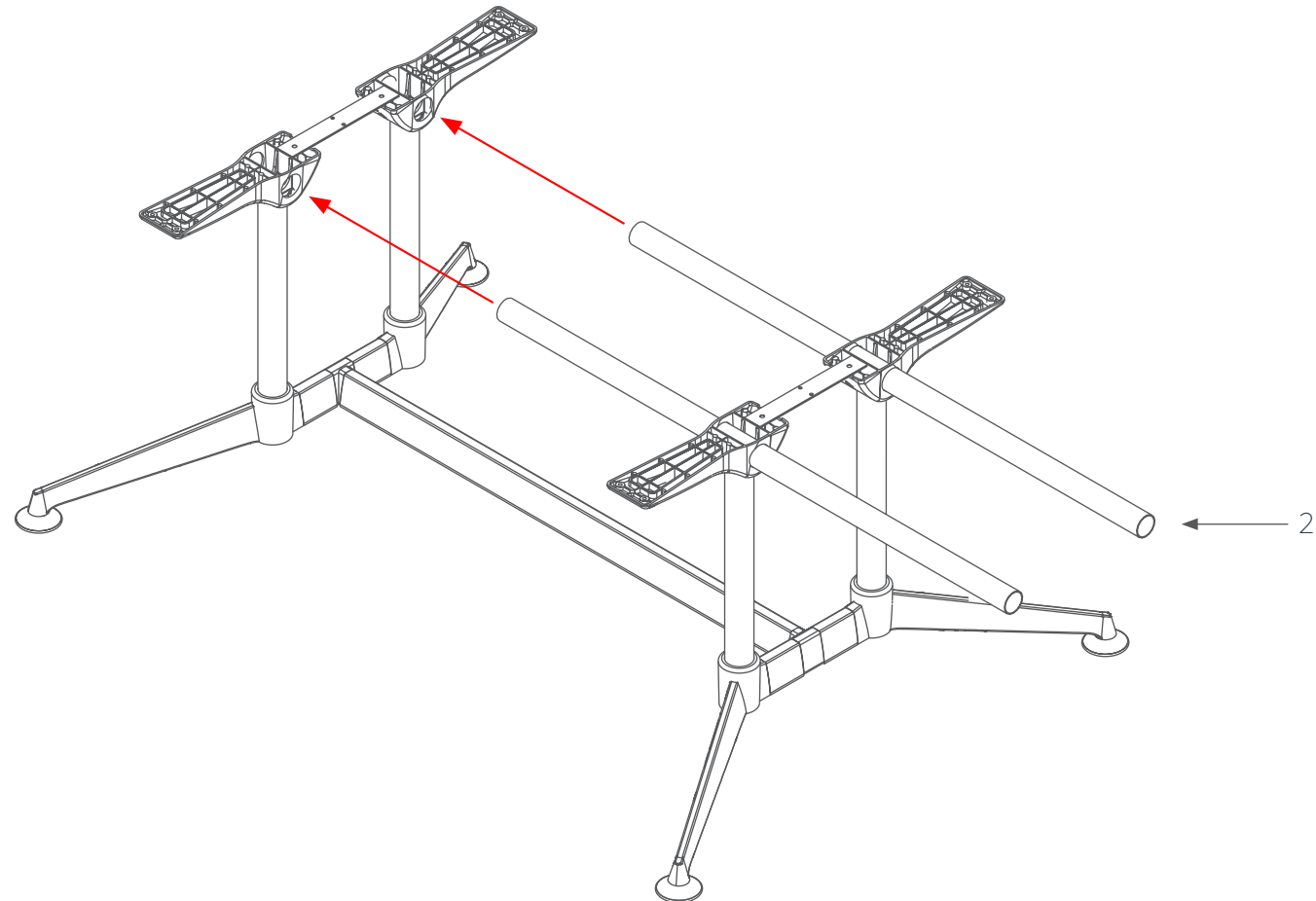
### STEP 6:



# Modulus Twin Pole Single Span Table

Assembly Instructions

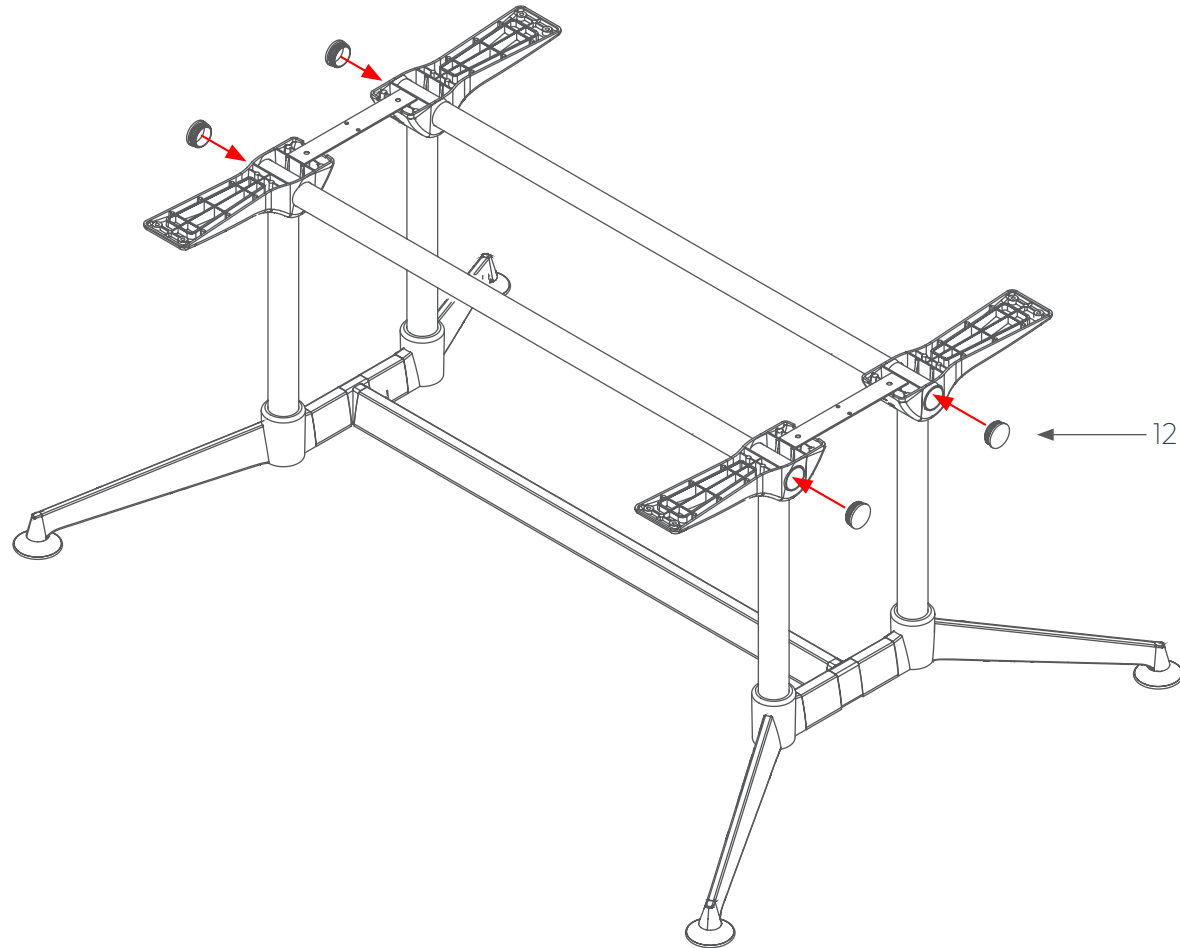
## STEP 7:



# Modulus Twin Pole Single Span Table

Assembly Instructions

## STEP 8:

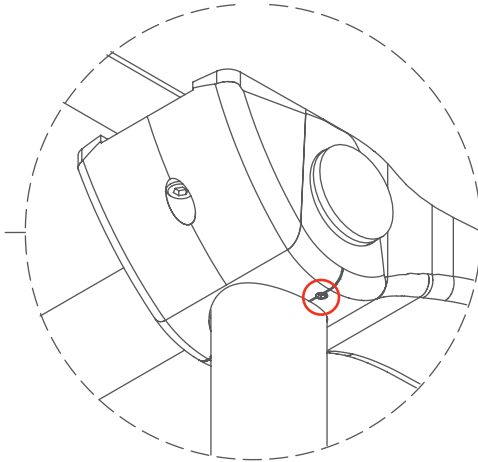
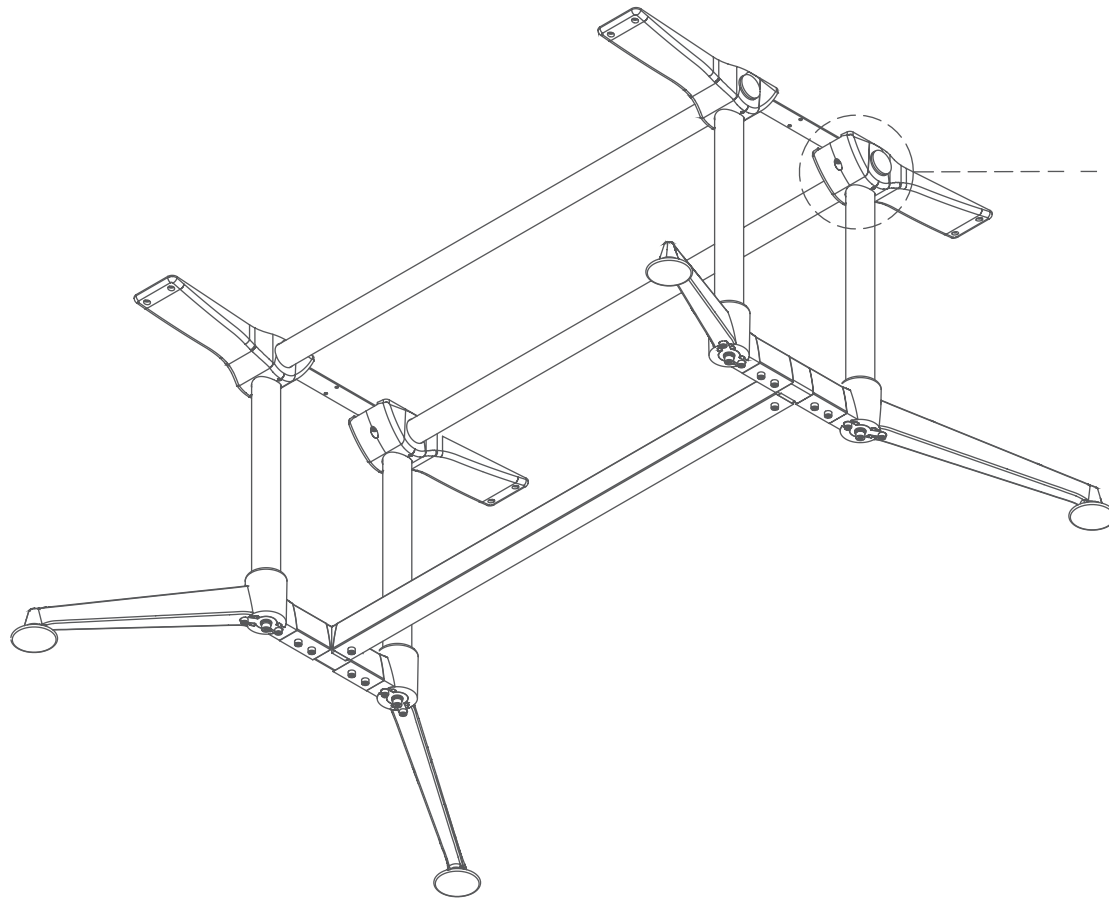




# Modulus Twin Pole Single Span Table

Assembly Instructions

## STEP 9:

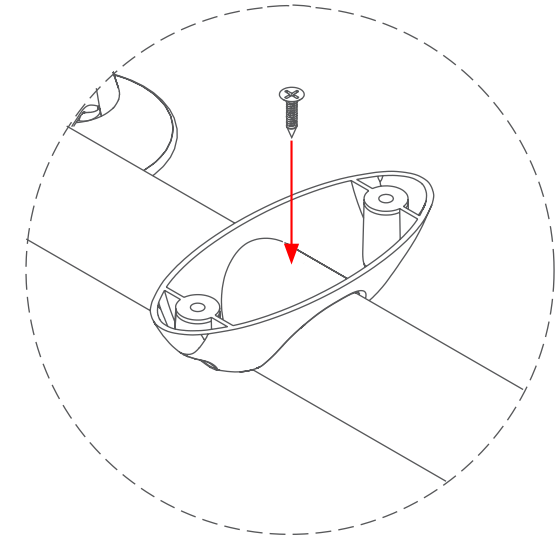
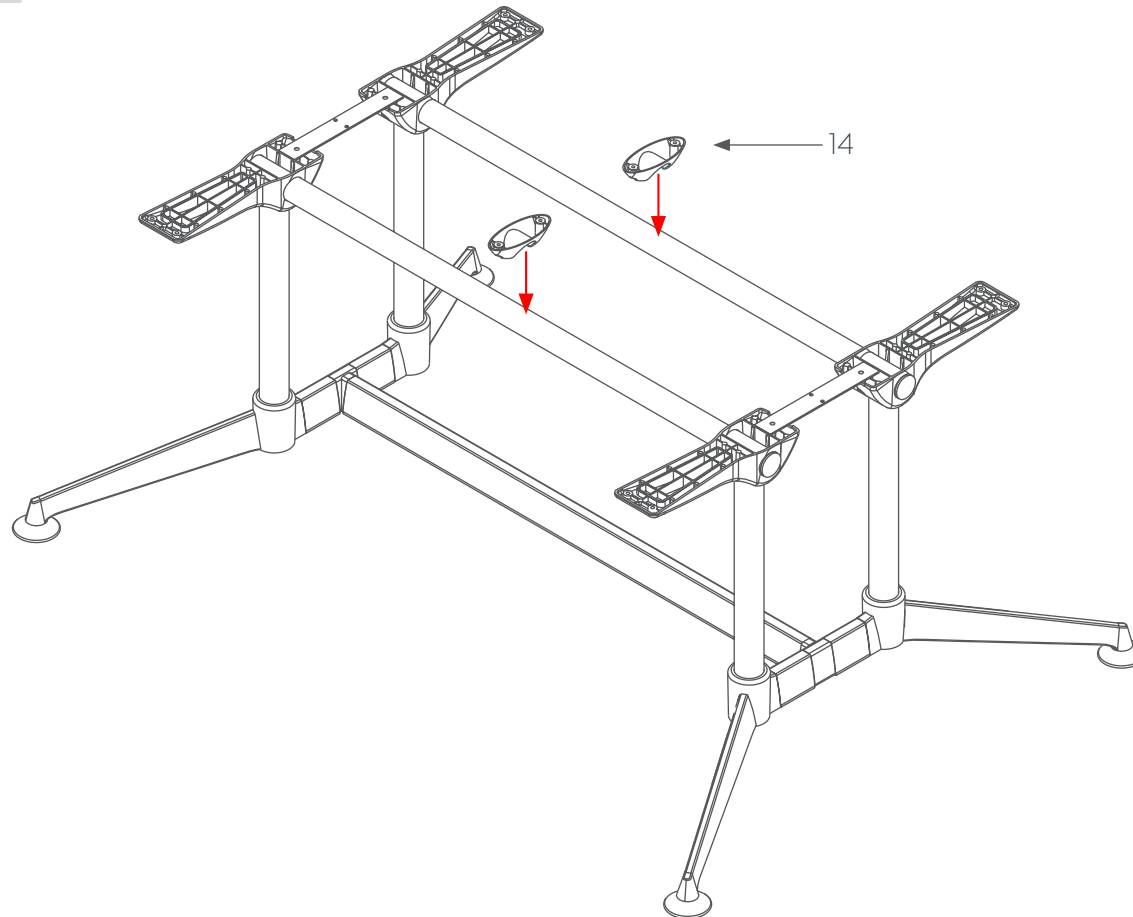


\* Tighten all small grub screws located on the bottom of each upper wrist.

# Modulus Twin Pole Single Span Table

## Assembly Instructions

### STEP 10:



**Optional:** For extra strength, the plastic support brackets can be screwed onto the top rails.

# Modulus Twin Pole Single Span Table

Assembly Instructions

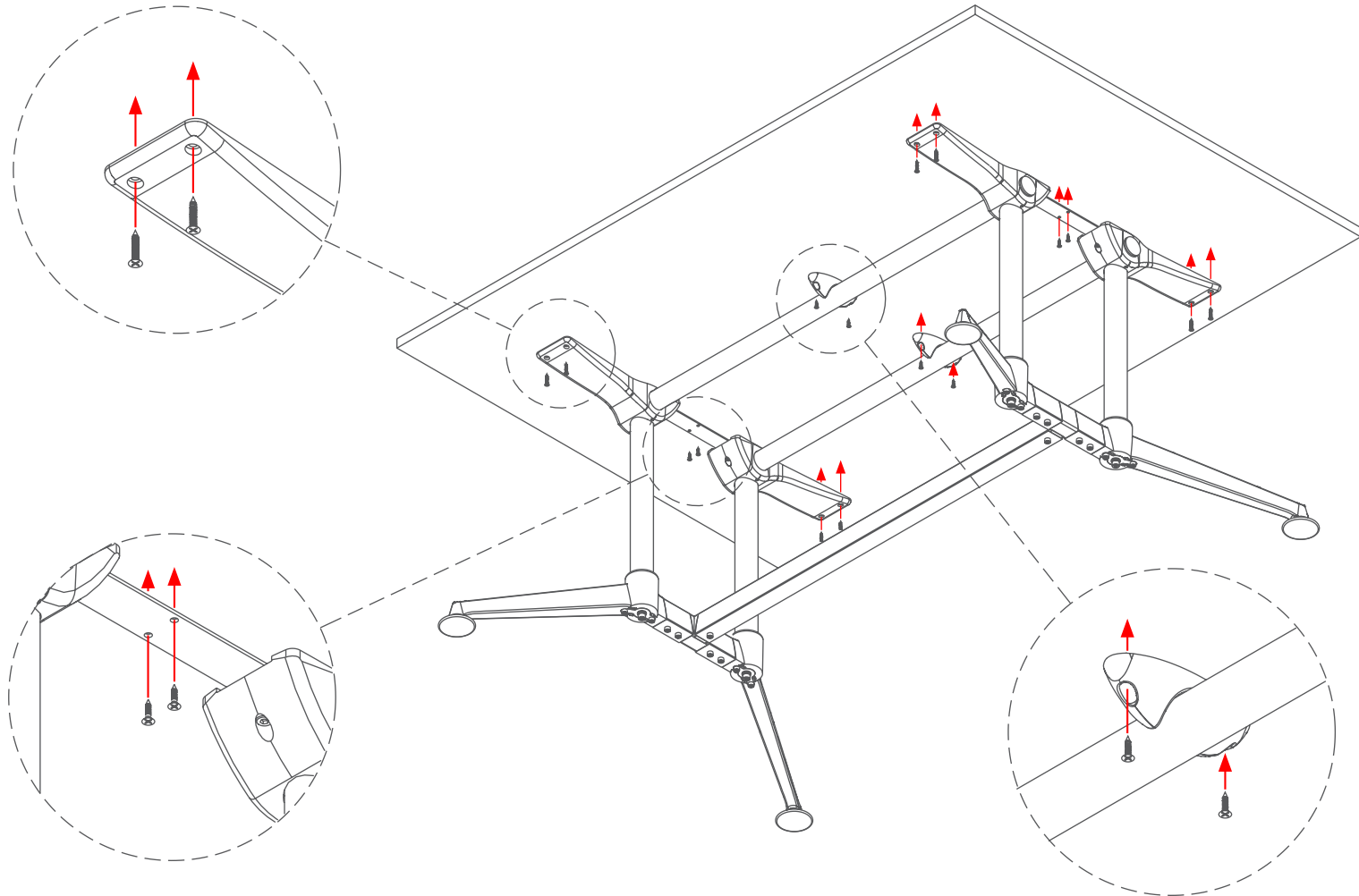
## STEP 11:



8 - M5 x 25mm  
Self Tapping



2 - M4 x 20mm  
Self Tapping



# Modulus Twin Pole Single Span Table

Assembly Instructions

---

**Complete:**

