



Urban Mesh Chair

Assembly Instructions

Urban Mesh Chair

Components List



Back Frame

A



Left Arm

B



Right Arm

C



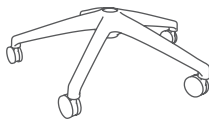
Seat Pan

D



Gas Cylinder

E



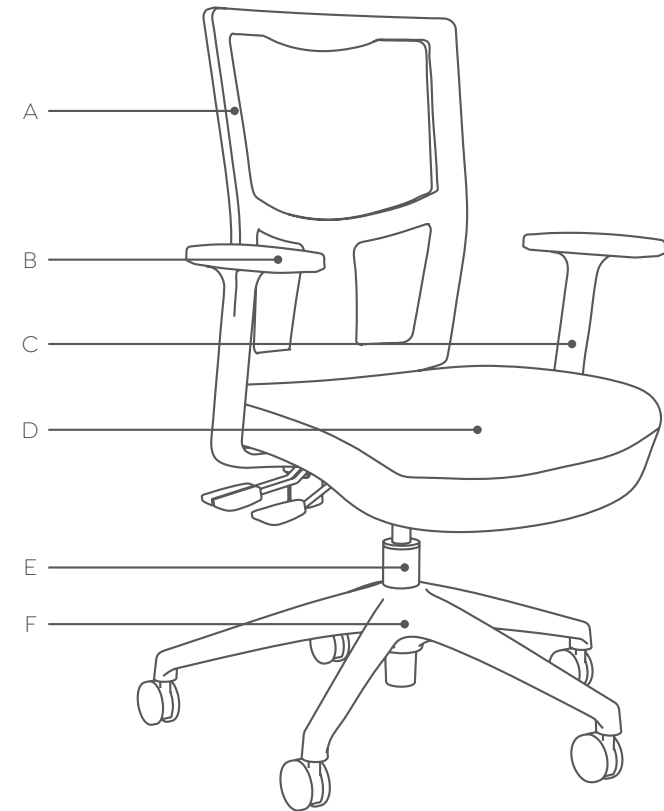
Base with Castor

F



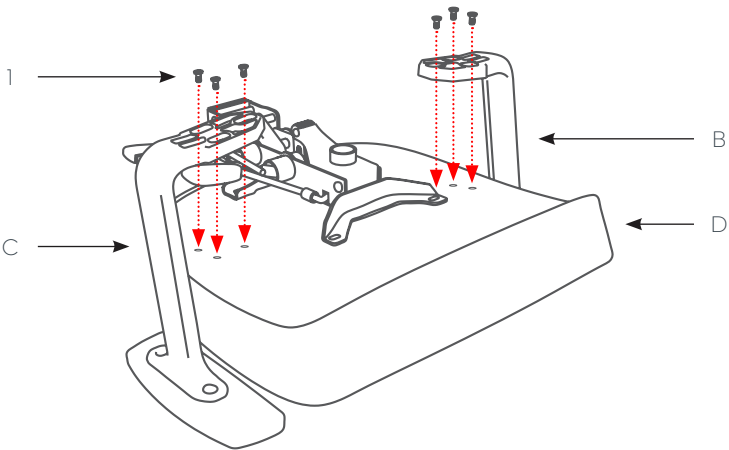
6 x Screw

I



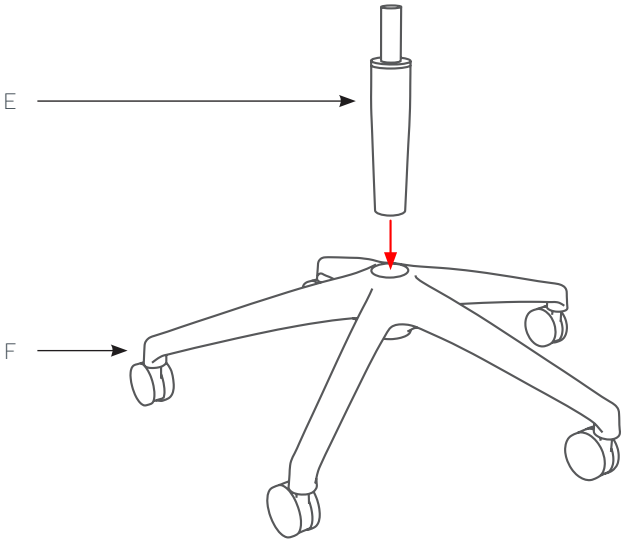
*To prevent possible scratches or damage, assemble the chair on a soft surface such as a blanket, carpet or packaging

STEP 1:



Optional Arm Upgrade

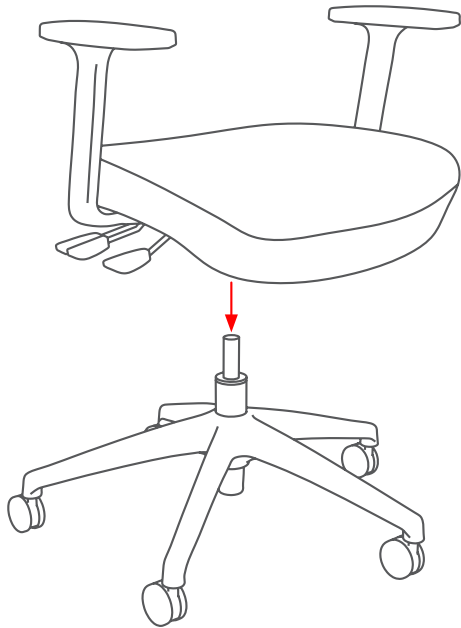
STEP 2:



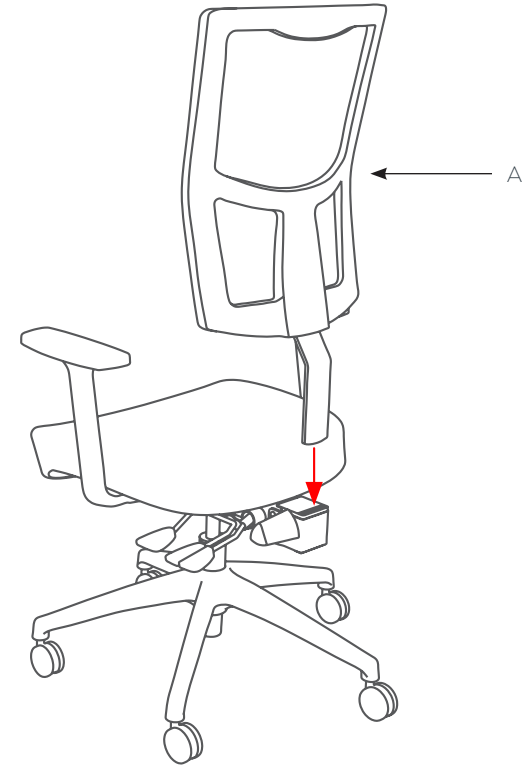
Urban Mesh Chair

Assembly Instructions

STEP 3:



STEP 4:



Complete:

