

AgileMotion+ Round Leg Electric Desk.

Product **Specifications**



AgileMotion+ Round Leg Electric Desk.

Part of the proven quality AgileMotion+ family, the flagship Agile+ workstation has been reimagined to embrace the trend away from sharp, linear lines in favour of gentler, organic forms. Featuring a circular leg profile and a 160kg weight rating, the Agile+ Round can be integrated with a wide range of screens and cable management accessories.

The AgileMotion+ Round electric desking system is available in single sided, double sided, 90° and 120° designs, and can be arranged in a variety of pod or back-to-back configurations.

Key Features



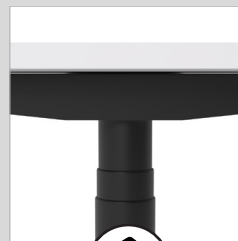
A. Height Adjustment

3 x Column height adjustment from sitting height - 635mm to full standing height - 1290mm.



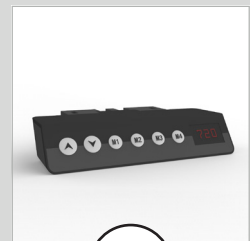
C. E0 Grade Worktop

Commercial grade 25mm melamine worktop with super low emissions grade for a healthier workspace!



B. Strong & Durable

Frame is constructed from 2mm Steel for extra strength and stability.



D. Electronic Handset

LED display with 4 programmable options to store your favourite height presets.

AgileMotion+ Round Leg Electric Desk.

In Detail



Fast Assembly

Fast to assemble - rails come pre-fitted to the legs where possible.



Anti-Collision

Protect office equipment against damage with the built-in anti-collision software.



Quiet Motor Operation

Motors are concealed in each leg and only 40db while in operation.



Strong Mechanism

Electric double motor and premium materials results in a weight rating of 160kg when distributed evenly.



Precision Memory

4 point memory control, programmable to restrict min/max height and also to set anti-collision sensitivity.

Screen Options

Multiple screen bracket options available to support cable trays & screens with power and data.

Worktop

Available in White and New Oak

E0 Grade Worktop

Highest environmental rating available

Electronic Handset

4 Memory handset with LED display

Very Quiet

Only 40db noise while adjusting

Fast Assembly
Rails come pre-fitted to the legs

10 Year Warranty
Best in it's class

Strength

160kg weight rating (evenly distributed)
70mm diameter 2mm steel tubing frame

Sturdy Feet

Flat foot design with leveling adjustment

Electric Double Motor

Height range - 645-1285 mm (incl worktop)
Adjustment speed 30 mm/s



* Refer to page 8 for Ratings & Certifications details.

AgileMotion+ Round Leg Electric Desk.

Optional Upgrades



Agile+ Round Leg Single Sided Desk
Black Frame with White Worktop
White frame and New Oak Worktop
also available



Agile+ Round Leg Double Sided Desk
Black Frame with New Oak Worktop
White Frame & Worktop also available



Agile+ Round Leg
Single Sided Desk White Frame
& Worktop with Cable Management
Tray and Studio50 Hung Screen
AcustiQ Screens also available



Agile+ 90° Round Leg Single Sided Desk
Black Frame with White Worktop
White frame and New Oak Worktop
also available



Agile+ 120° Round Leg Single Sided Desk
Black Frame with New Oak Worktop
White frame also available

Mellamine Worktop Colour Options



New Oak



White

Steel Frame Colour Options



Black



White



Studio50
Screens are
Australian
Made.

Studio50 Screen Colour Options

Breathe



Splice

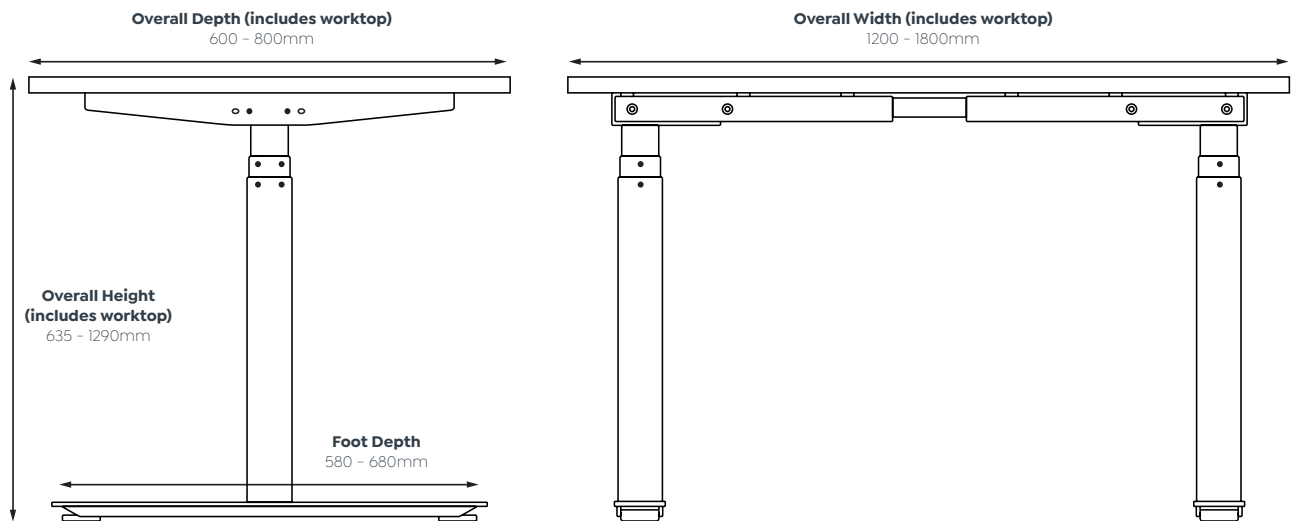


AcustiQ Screen Colour Options

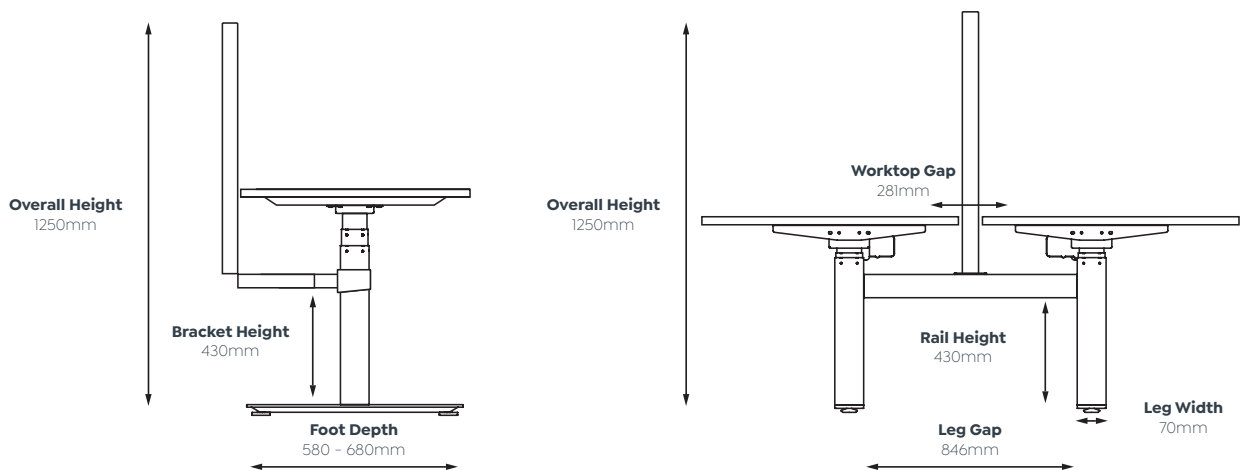


AgileMotion+ Round Leg Electric Desk.

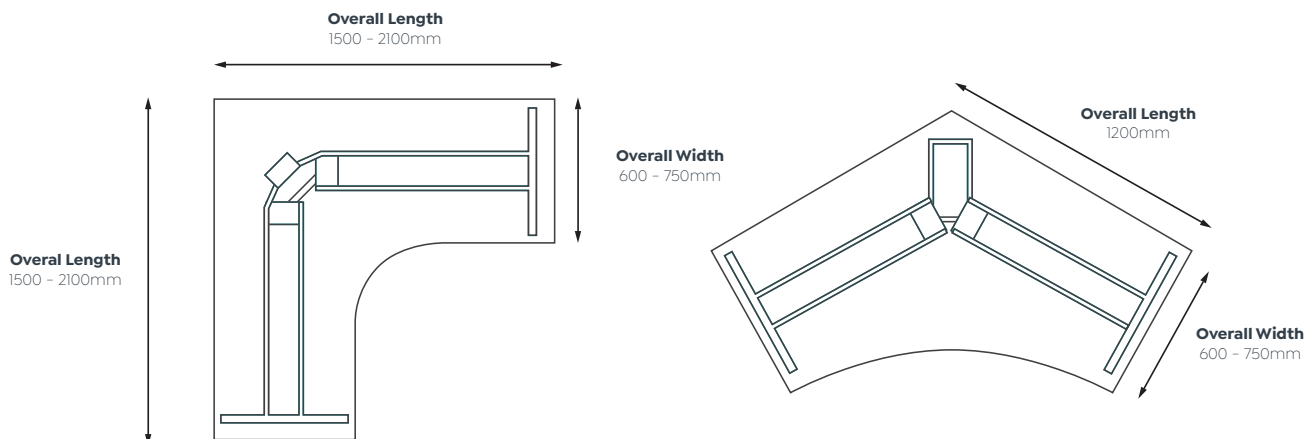
Dimension Specifications



Screen Dimensions

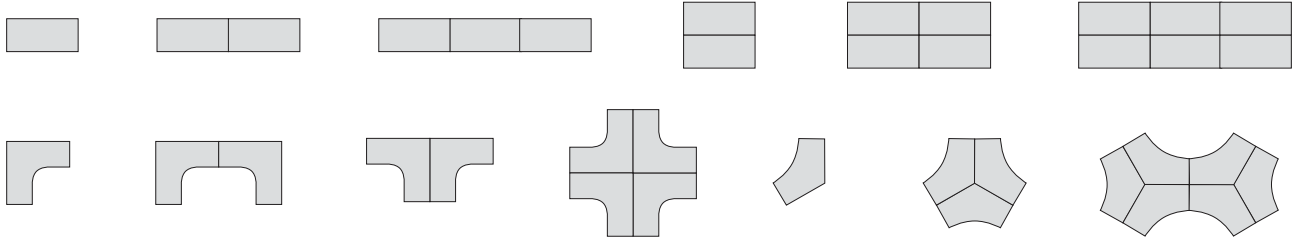


90° & 120° Dimensions



AgileMotion+ Round Leg Electric Desk.

Workstation Configurations



Available Sizes

Single Sided

1200 x 600mm	1200 x 750mm	1200 x 800mm
1500 x 600mm	1500 x 750mm	1500 x 800mm
1600 x 600mm	1600 x 750mm	1600 x 800mm
1800 x 600mm	1800 x 750mm	1800 x 800mm

Double Sided

2 x 1200 x 600mm	2 x 1200 x 750mm	2 x 1200 x 800mm
2 x 1500 x 600mm	2 x 1500 x 750mm	2 x 1500 x 800mm
2 x 1600 x 600mm	2 x 1600 x 750mm	2 x 1600 x 800mm
2 x 1800 x 600mm	2 x 1800 x 750mm	2 x 1800 x 800mm

Single 90°

1800 x 1800 x 600mm
1800 x 1800 x 750mm

Single 120°

1200 x 1200 x 600mm
1200 x 1200 x 750mm

AgileMotion+ Round Leg Electric Desk.

Cheat Sheet Quick Guide

Standard Features

70 mm diameter legs

Frames finished in white or black powdercoat

H frame design - double sided desk

Concealed motors in each leg

Commercial-grade 25 mm worktops are constructed from E0 board and finished in white melamine with matching 2 mm

Electric Double motor height range - 645-1285 mm (incl worktop)

Adjustment speed 30 mm/s

160 kg weight rating (evenly distributed)

4 point memory control with LCD readout, programmable to restrict min/max height and to set anti-collision sensitivity.

Fast to assemble - rails come pre-fitted to the legs where possible

10 year warranty - best in its class

Optional Upgrades

50mm Studio screens

50mm Studio screens with integrated cable duct

10, 20 & 30mm AcoustiQ screens

Cable trays - system includes desk to desk bridges, power/data mounting points (inside the tray or on the vertical face) and cable snakes to the desktop

Available in

Single - Desk

Single - Workstation

Shared - Back to Back

90° - Workstation

120° - Workstation

Upgrade Options

- Double Sided Workstation
- 90° Workstation
- 120° Workstation
- Cable Management Solutions
- Multiple Screen Options Available

Mellamine Worktop Colour Options



Steel Frame Colour Options



Breathe



Splice



AcoustiQ Screen Colour Options





AgileMotion+ Round Leg single sided desk with Motion Sync.