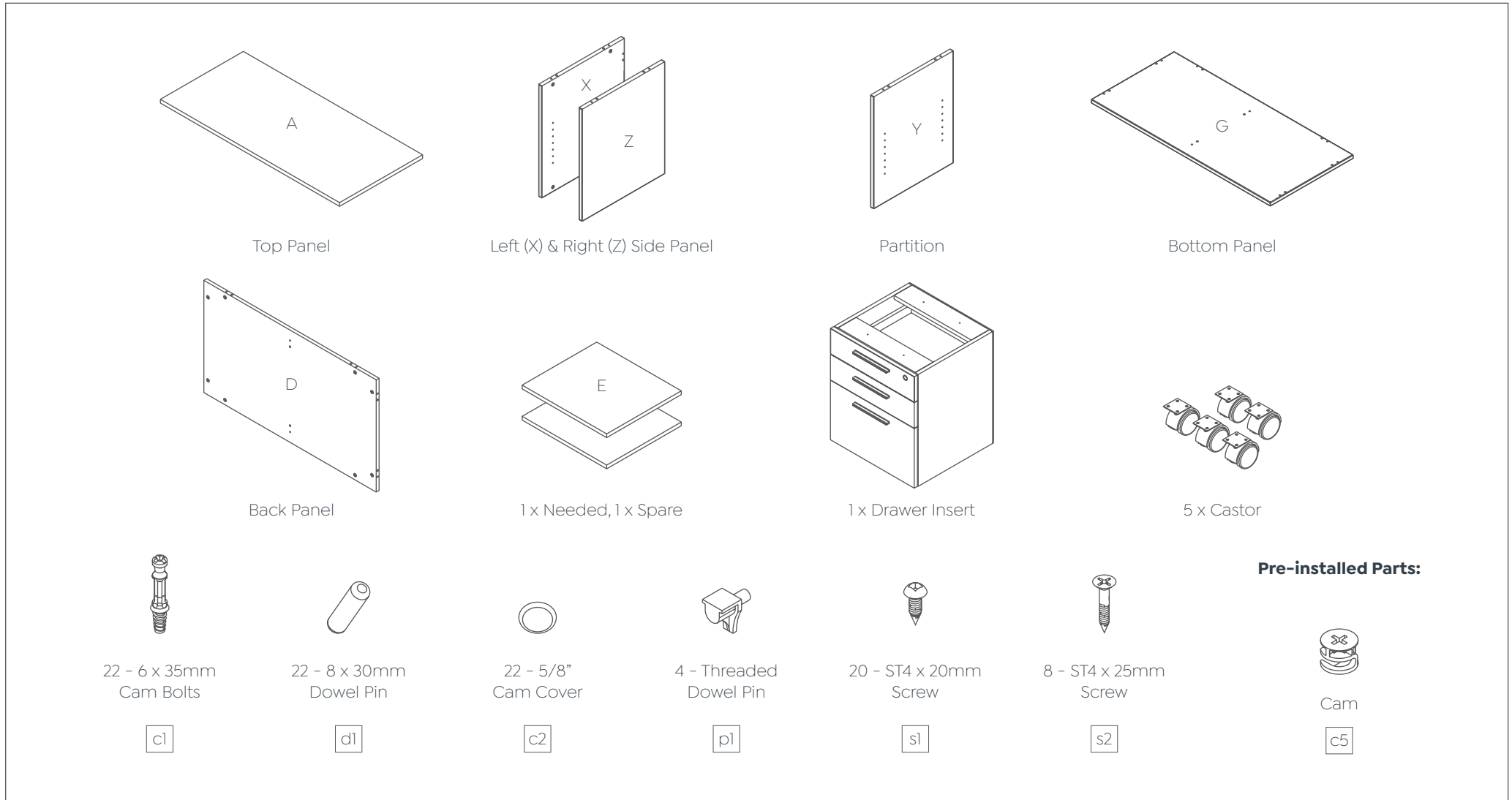


Axis Caddy Mobile Bookcase (1 x Drawer Insert)



Assembly Instructions

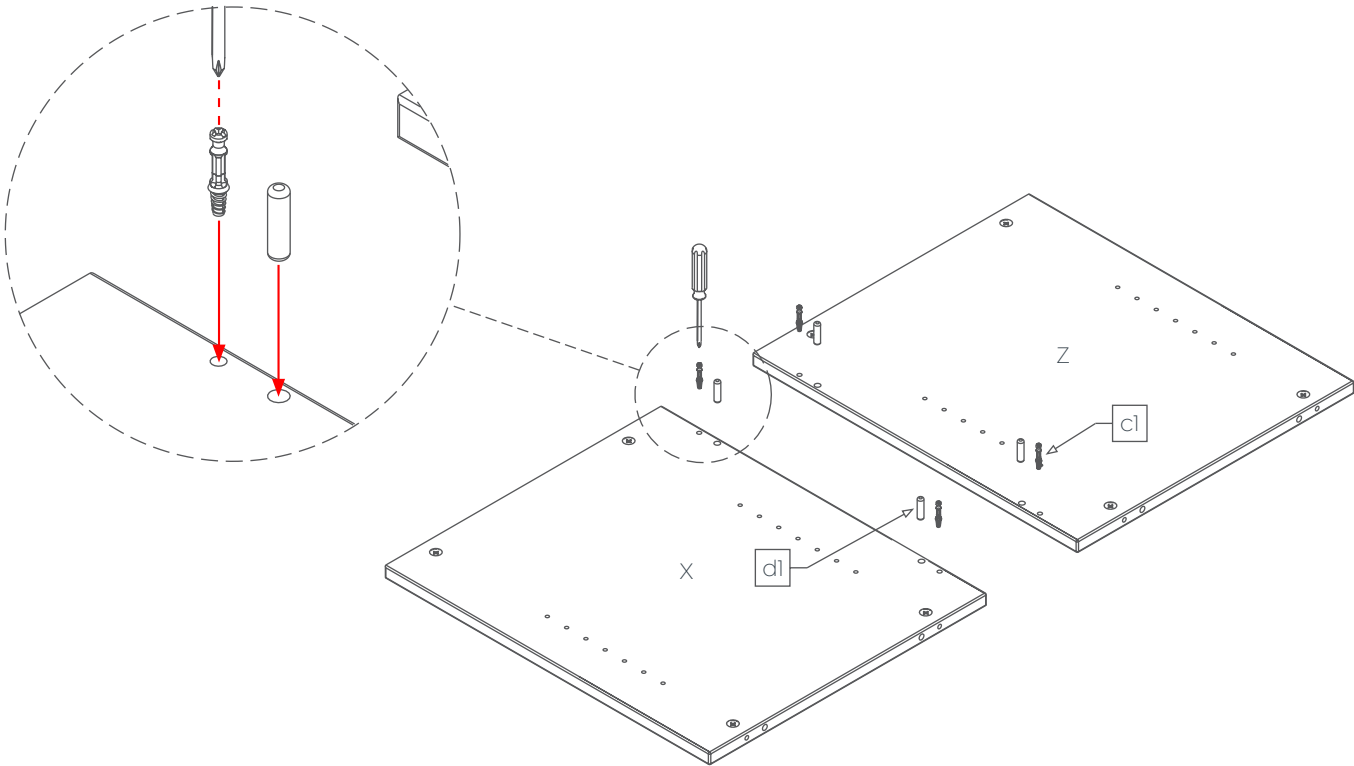
Axis Caddy Mobile Bookcase

Components List



STEP 1:

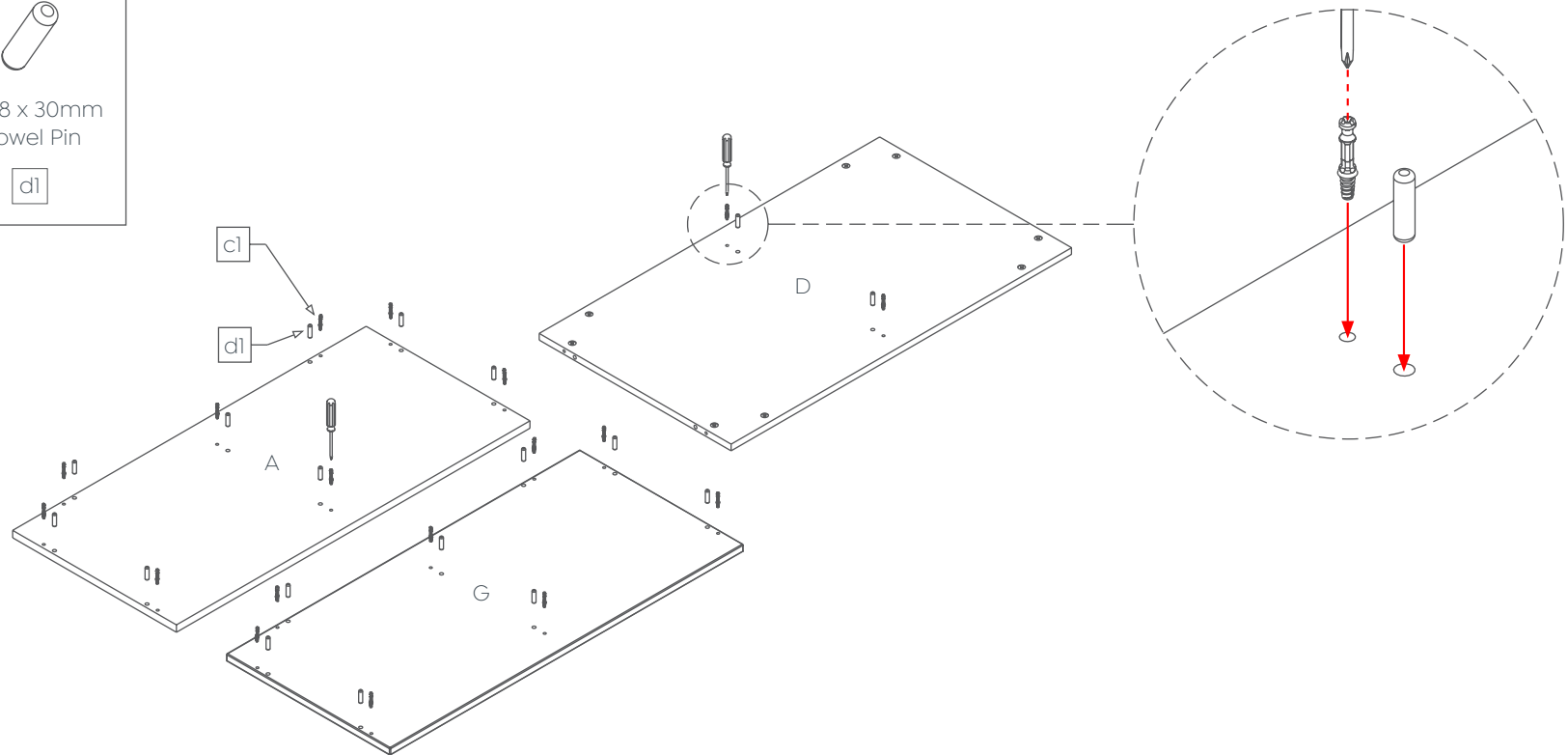
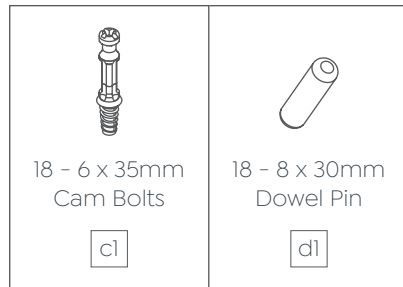
| | |
|---|---|
|  4 - 6 x 35mm Cam Bolts cl |  4 - 8 x 30mm Dowel Pin d1 |
|---|---|



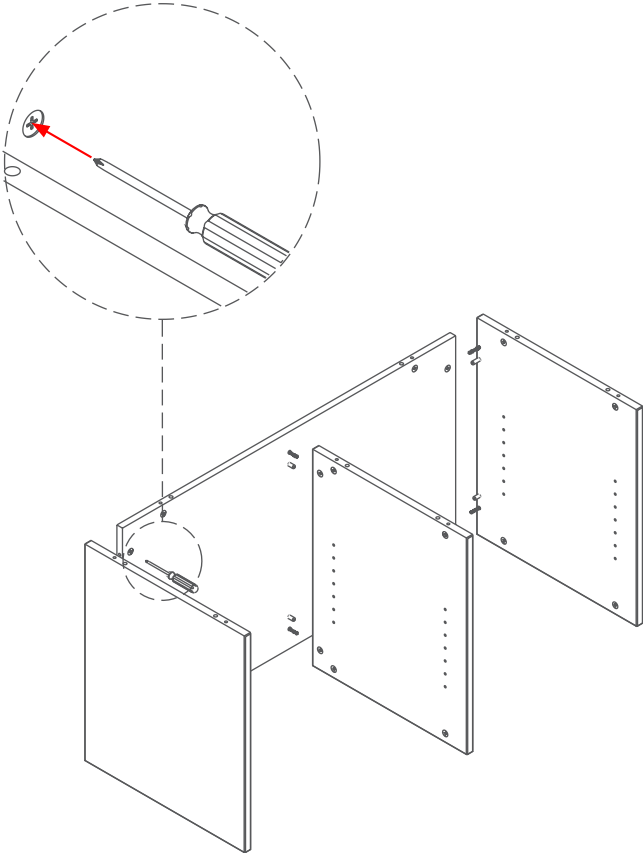
Axis Caddy Mobile Bookcase

Assembly Instructions

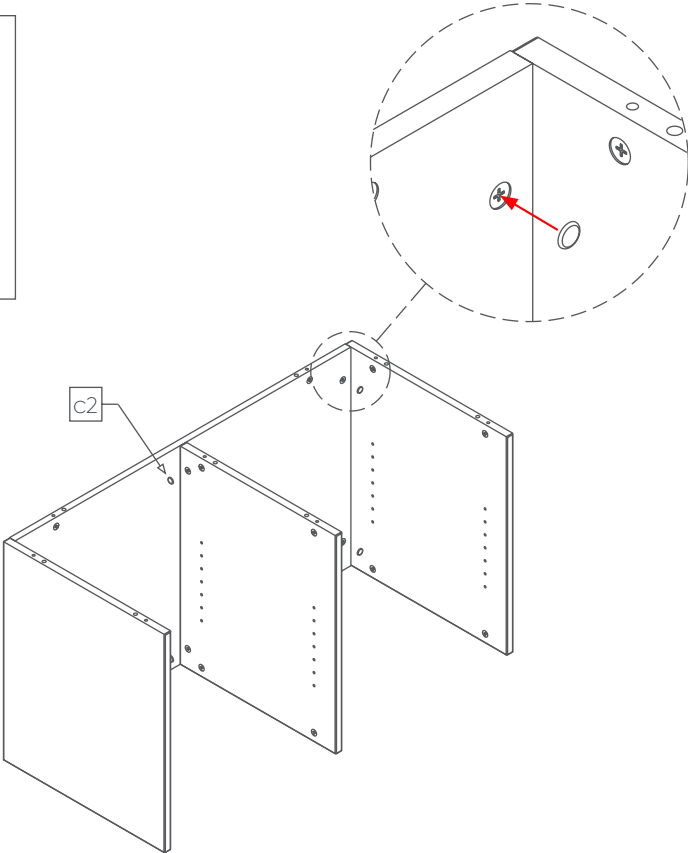
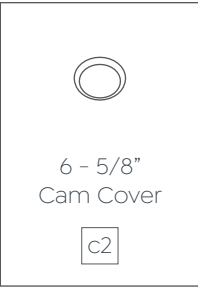
STEP 2:



STEP 3:



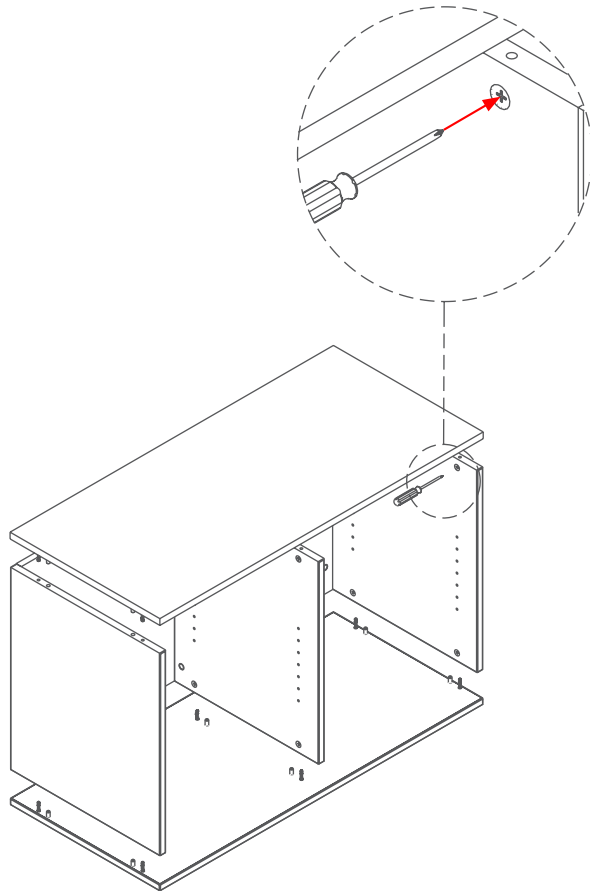
STEP 3.1:



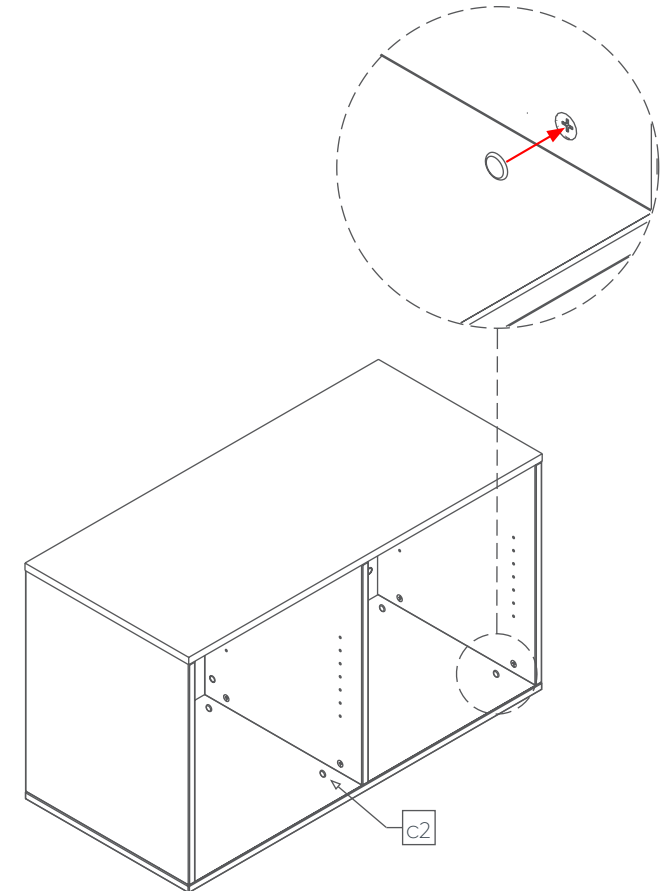
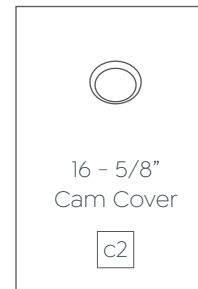
Axis Caddy Mobile Bookcase

Assembly Instructions

STEP 4:

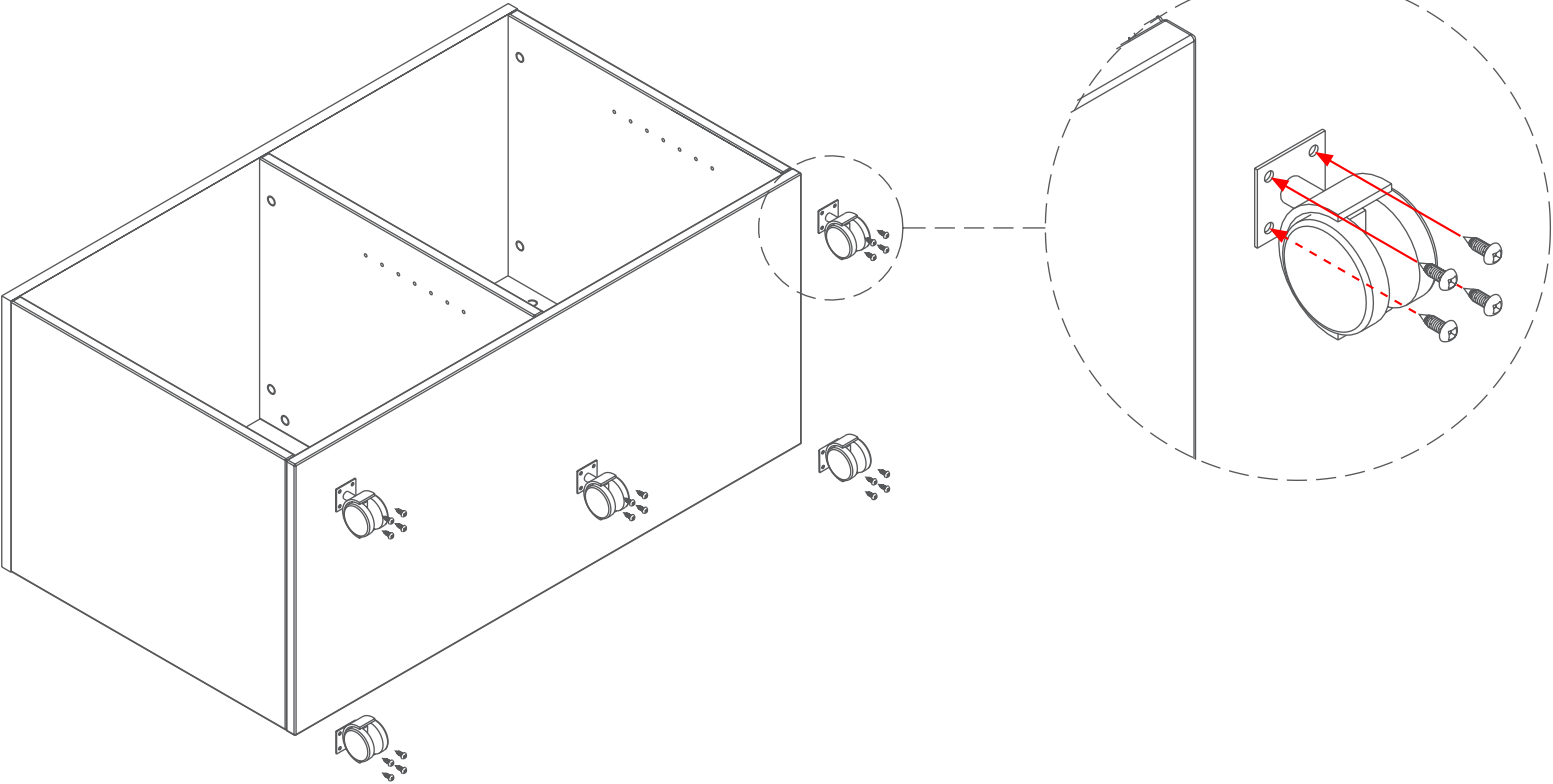


STEP 4.1:



STEP 5:


20 - ST4 x 20mm
Screw

Axis Caddy Mobile Bookcase

Assembly Instructions

STEP 6:



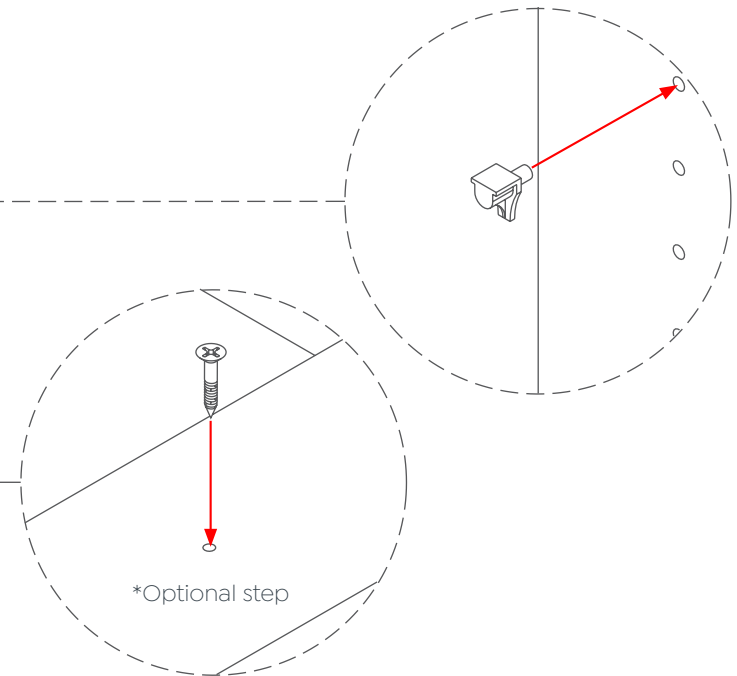
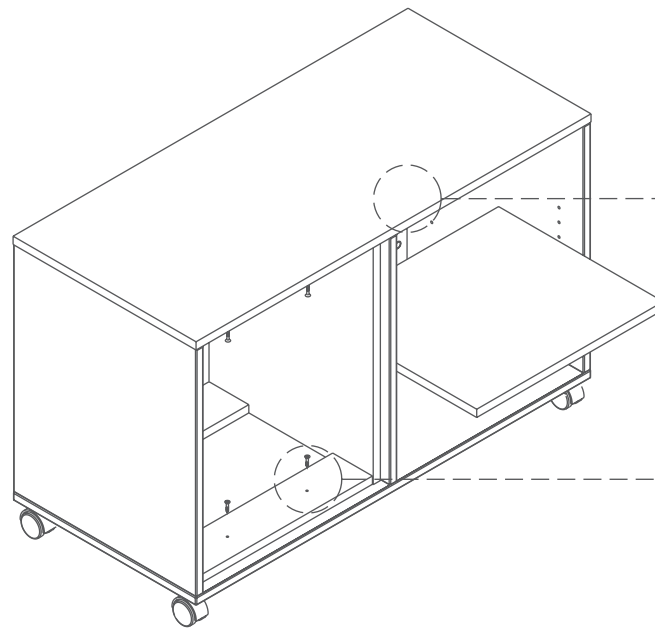
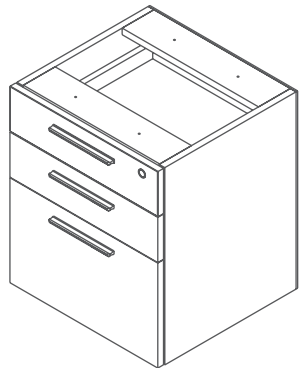
4 - Threaded
Dowel Pin

p1



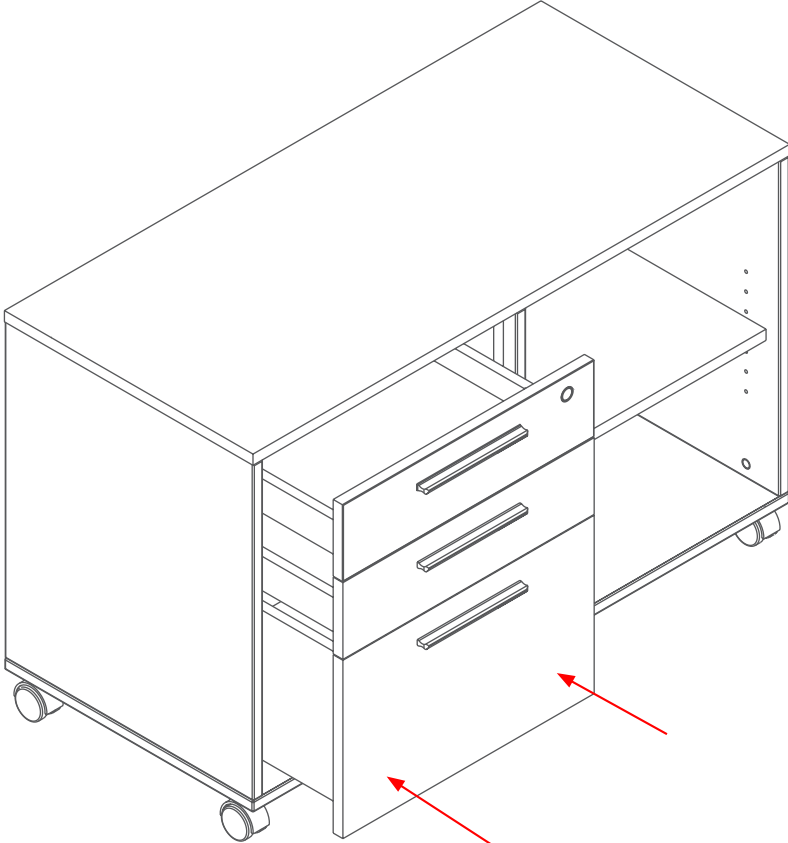
8 - ST4 x 25mm
Screw

s2



Remove drawer from drawer unit and fit carcass to caddy.

STEP 7:



Axis Caddy Mobile Bookcase

Assembly Instructions

Complete:

