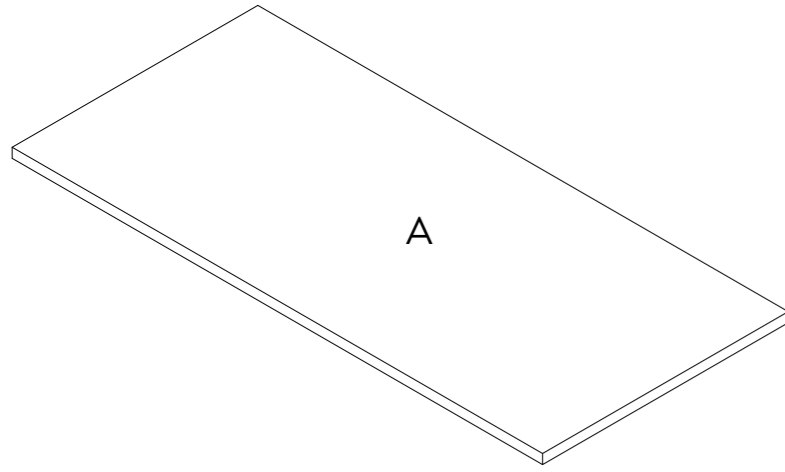
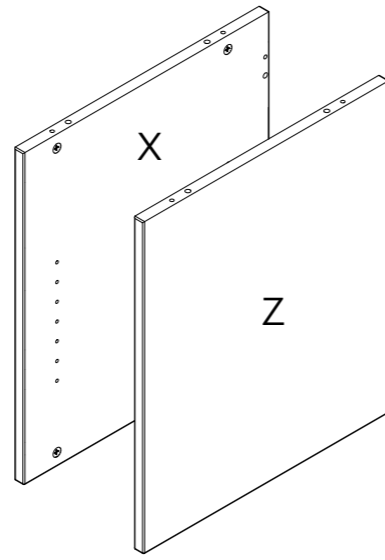


**Axis Caddy Mobile Bookcase** (2x Adjustable Shelves)

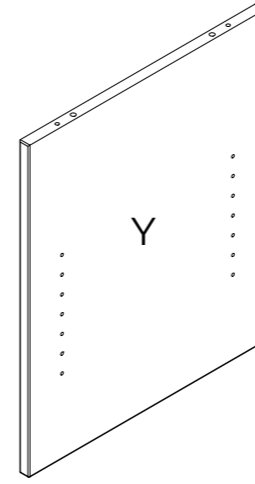
**Parts:**



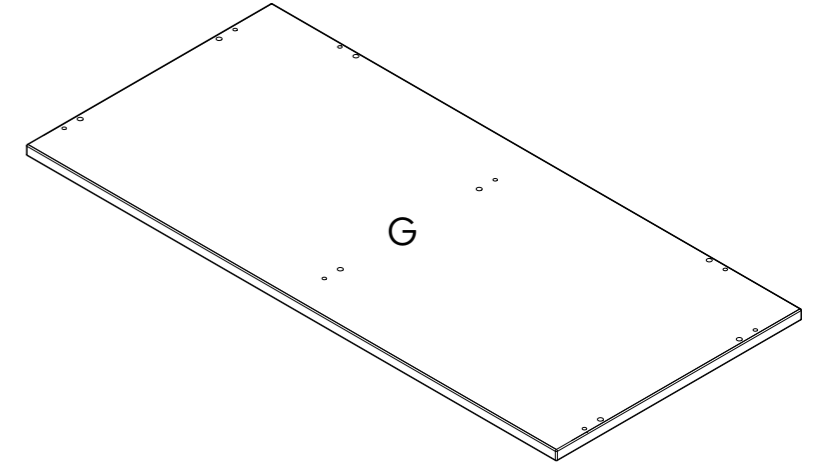
Top Panel



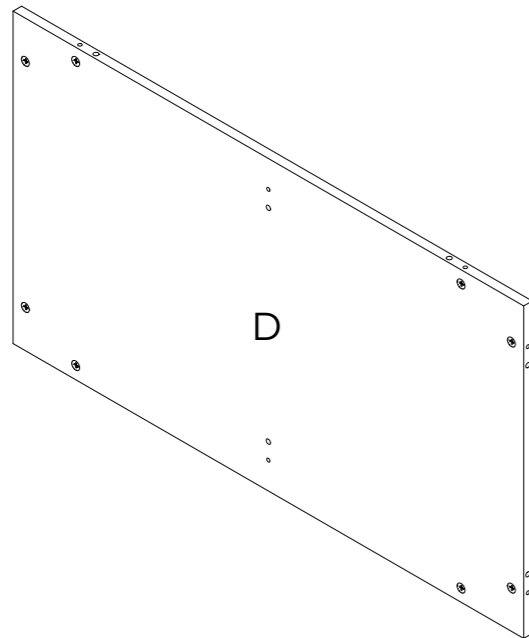
Left (X) & Right (Z) Side Panel



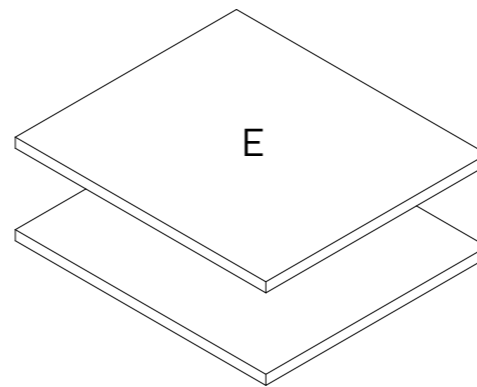
Partition



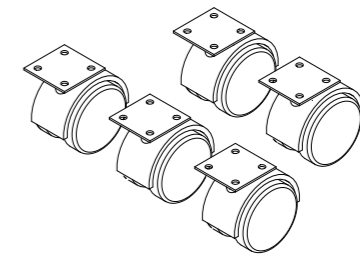
Bottom Panel



Back Panel

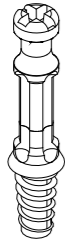


2 x Moveable Shelf



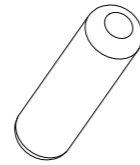
5 x Castor

## Parts:



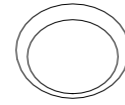
22 - 6 x 35mm Cam Bolts

c1



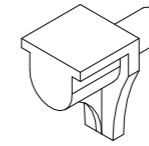
22 - 8 x 30mm Dowel Pin

d1



22 - 5/8" Cam Cover

c2



8 - Threaded Dowel Pin

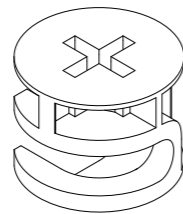
p1



20 - M4 x 20mm Screw

s1

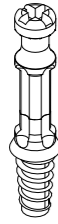
## Pre-Installed Parts:



Cam

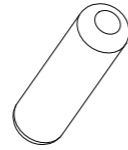
c5

# Step 1



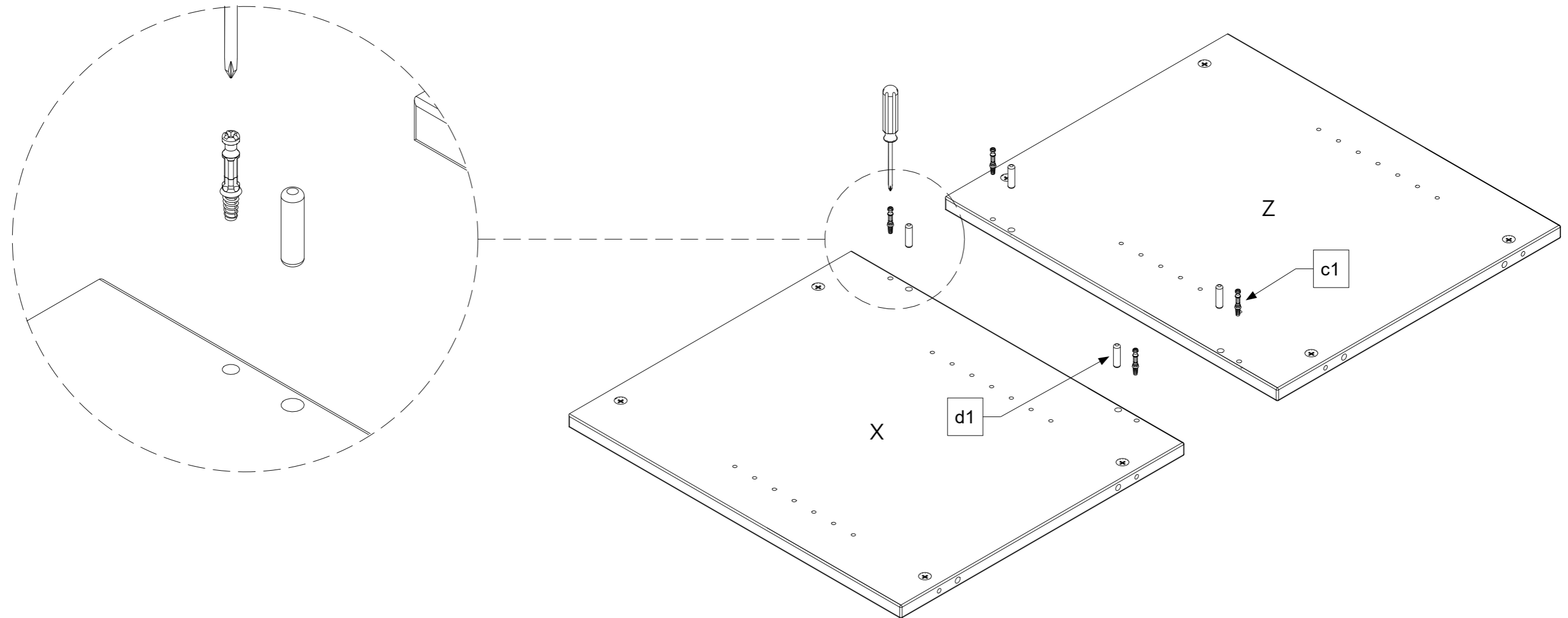
4 - 6 x 35mm Cam Bolts

c1

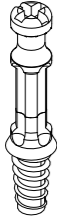


4 - 8 x 30mm Dowel Pin

d1

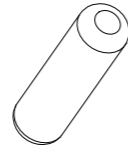


# Step 2



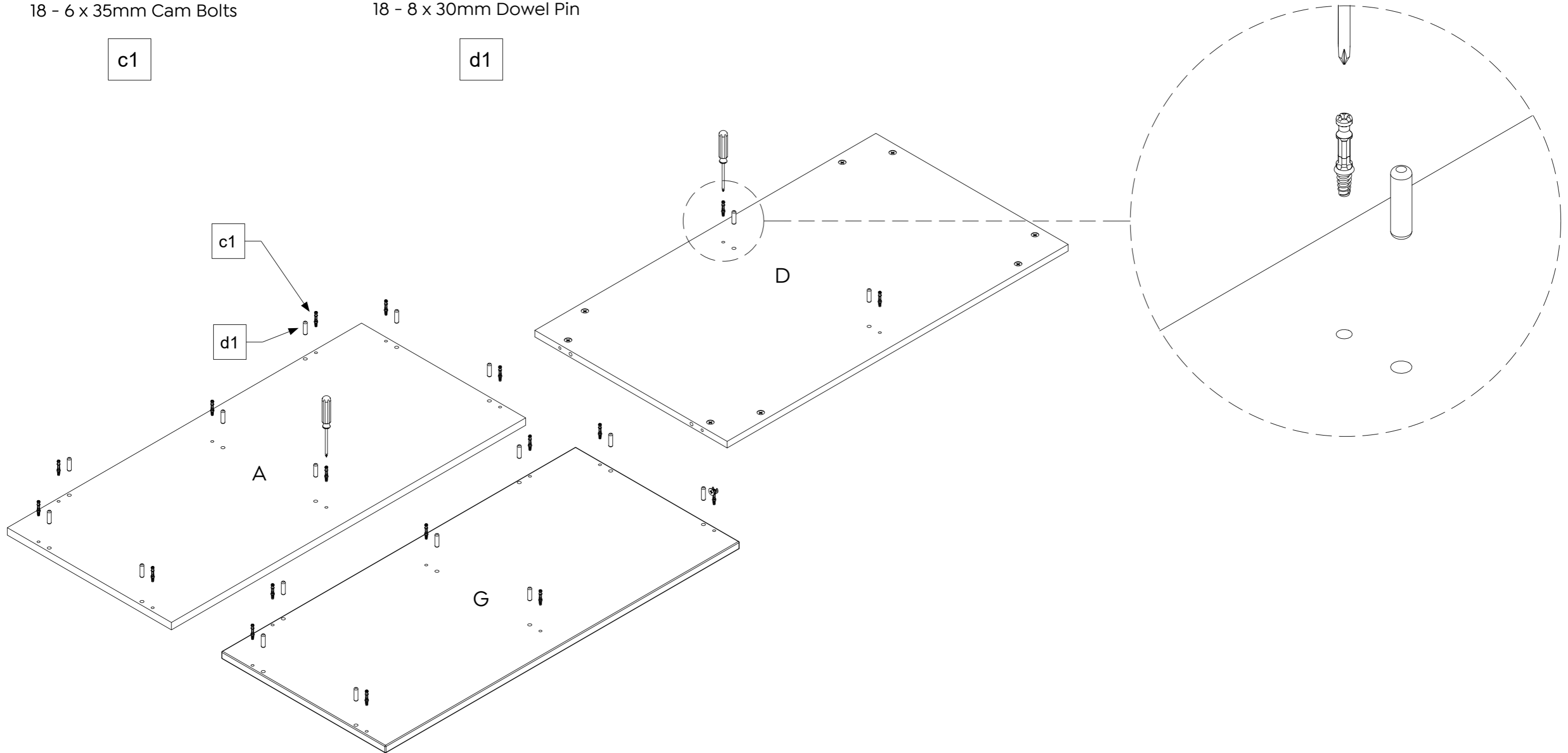
18 - 6 x 35mm Cam Bolts

c1

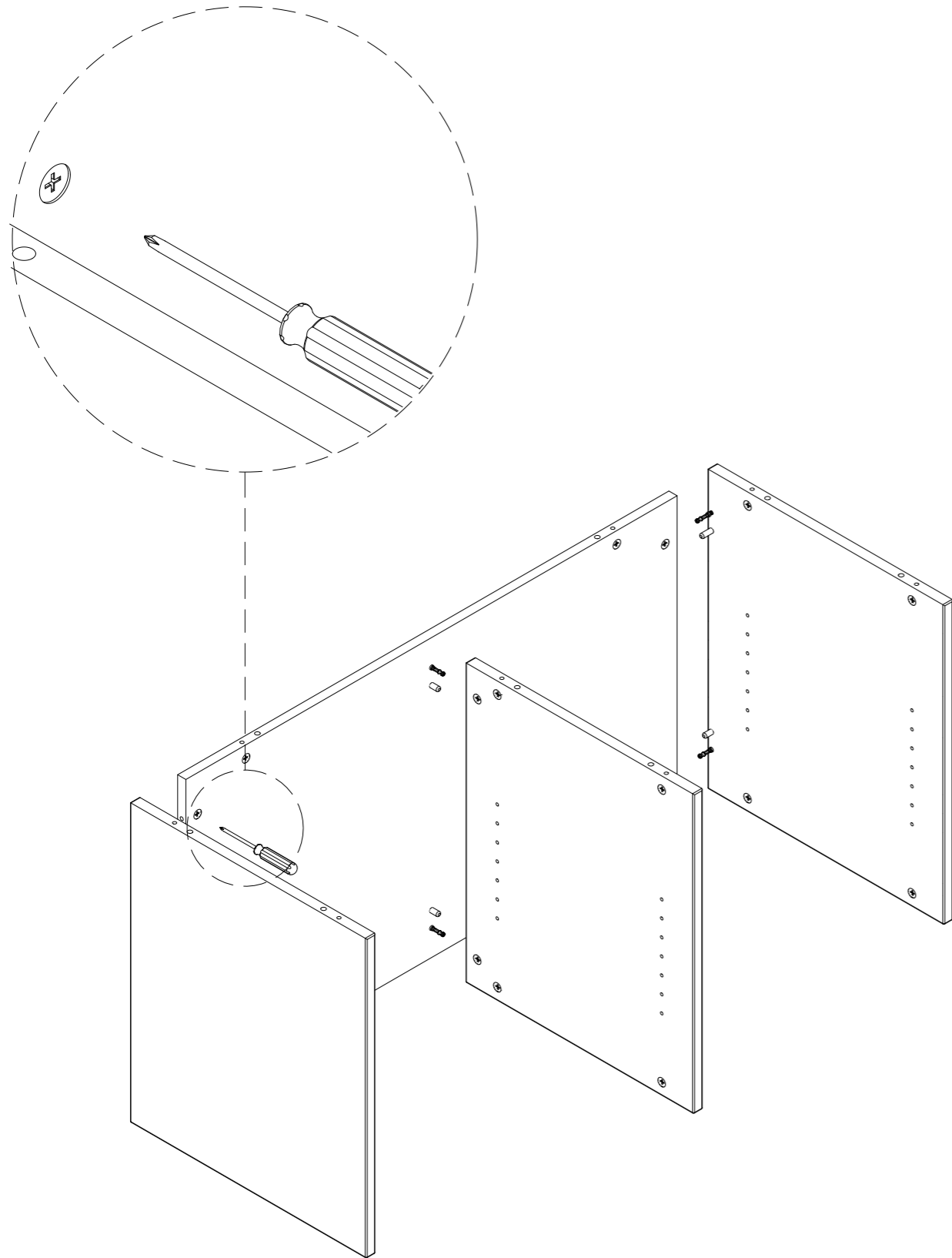


18 - 8 x 30mm Dowel Pin

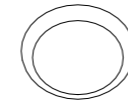
d1



### Step 3

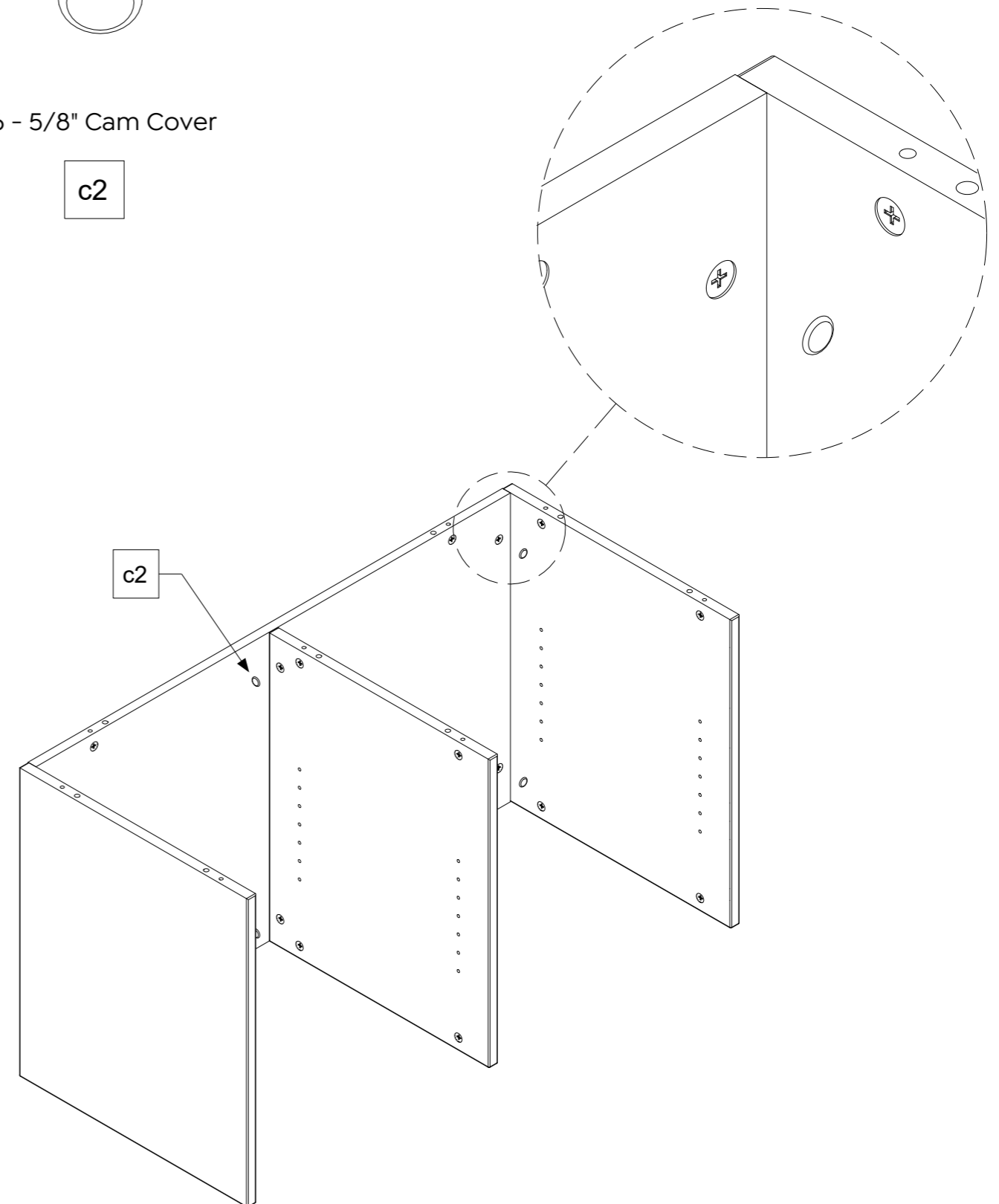


### Step 3.1

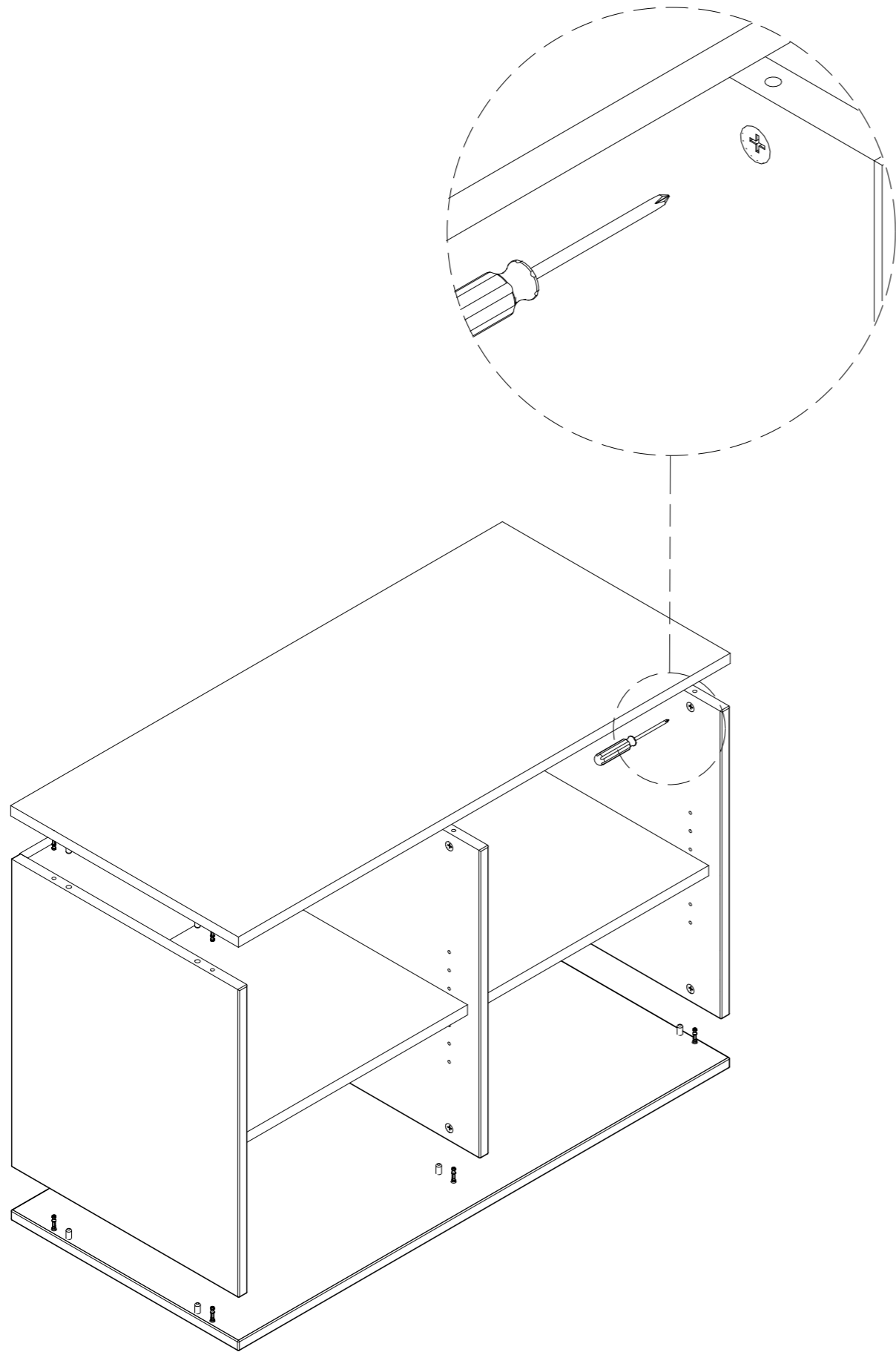


6 - 5/8" Cam Cover

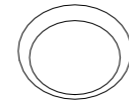
c2



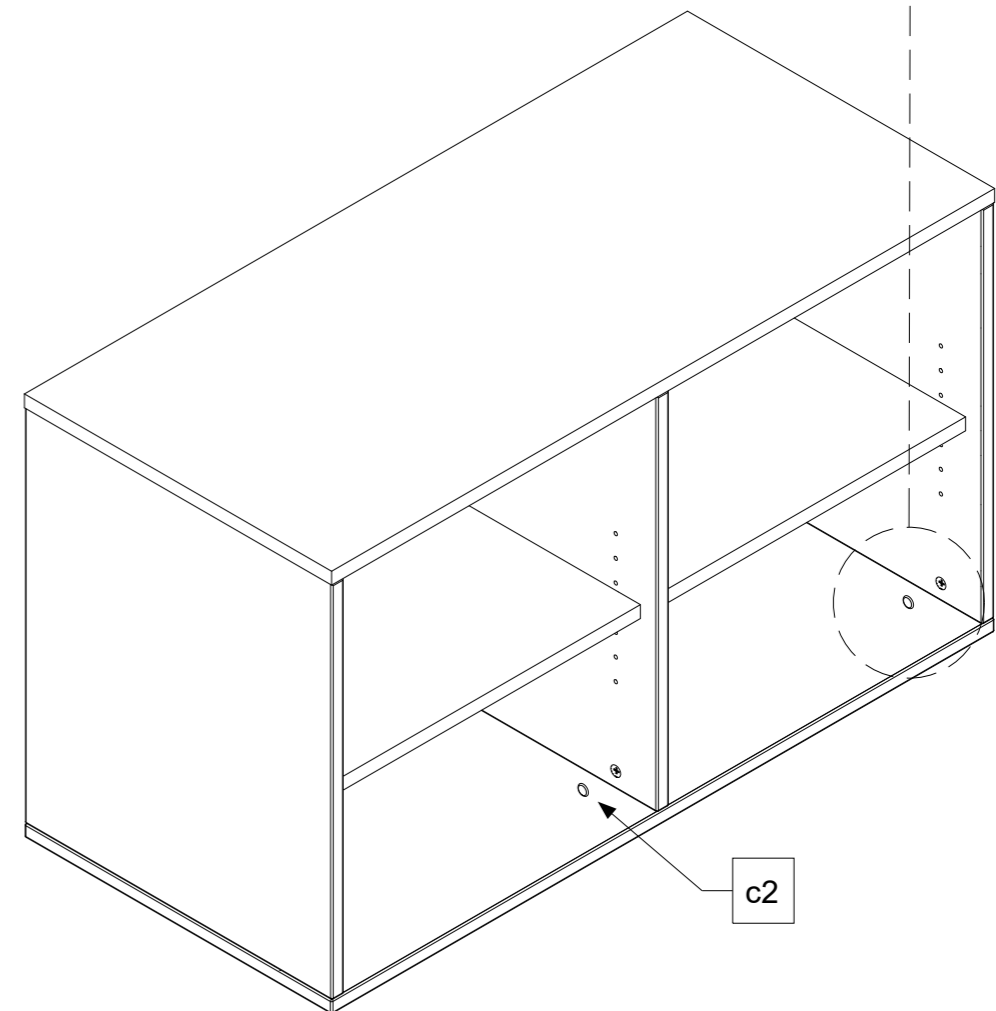
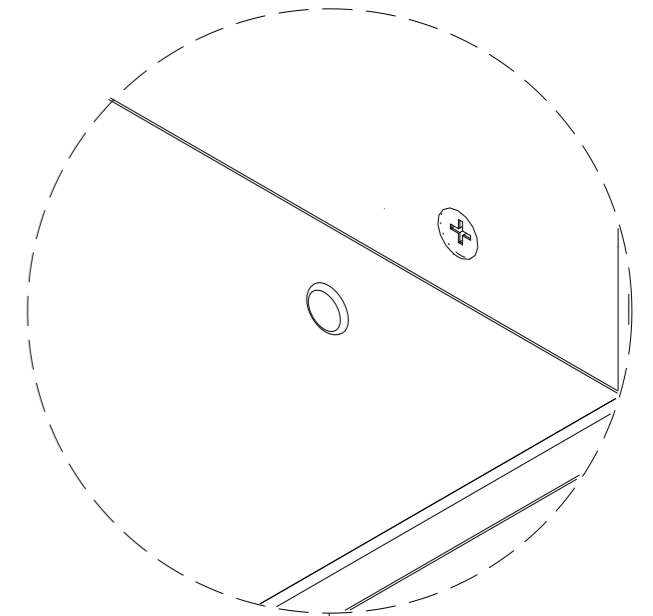
# Step 4



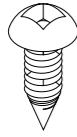
# Step 4.1



16 - 5/8" Cam Cover

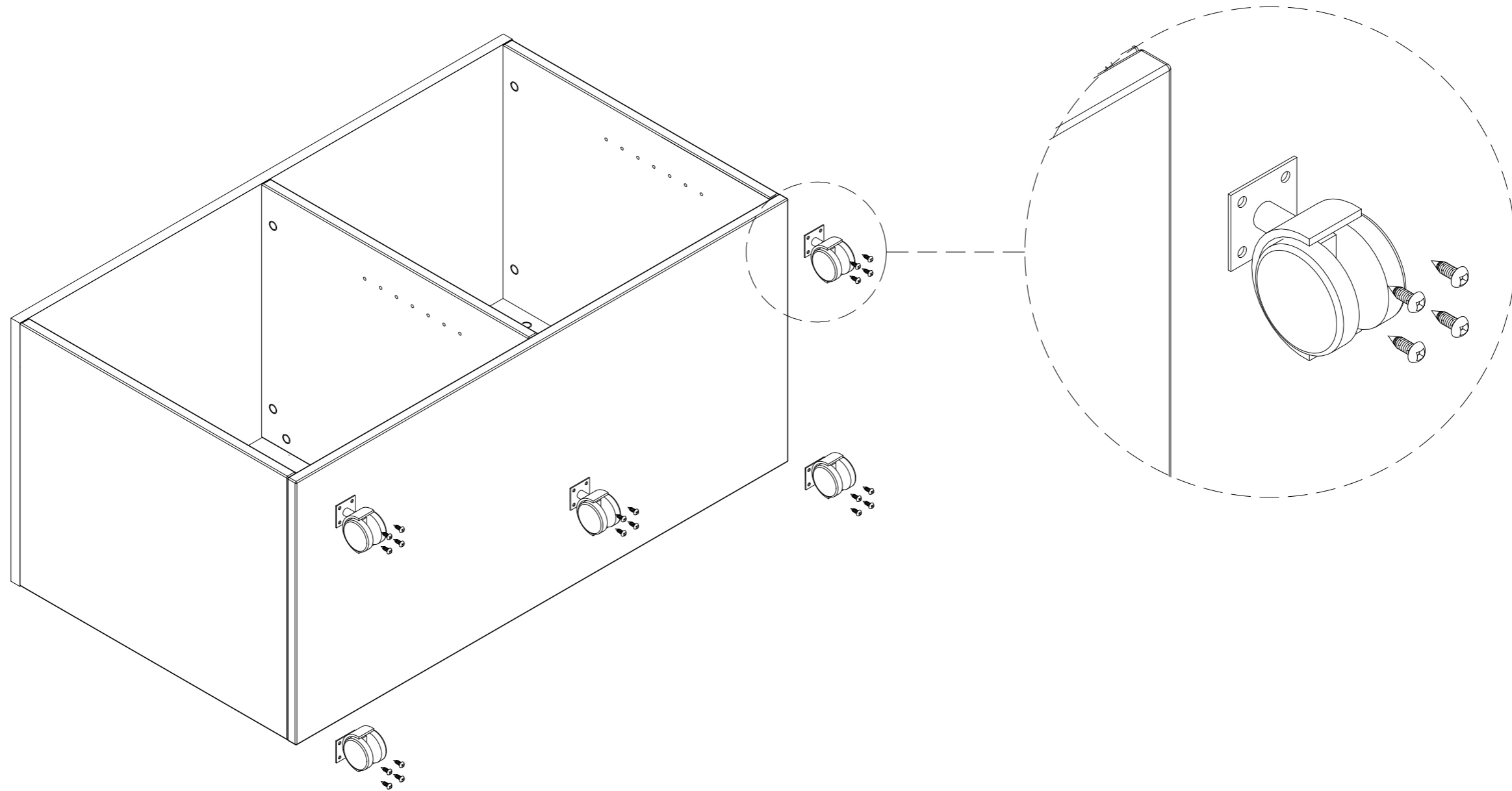


# Step 5



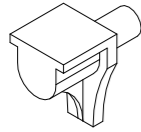
20 - M4 x 20mm Screw

s1



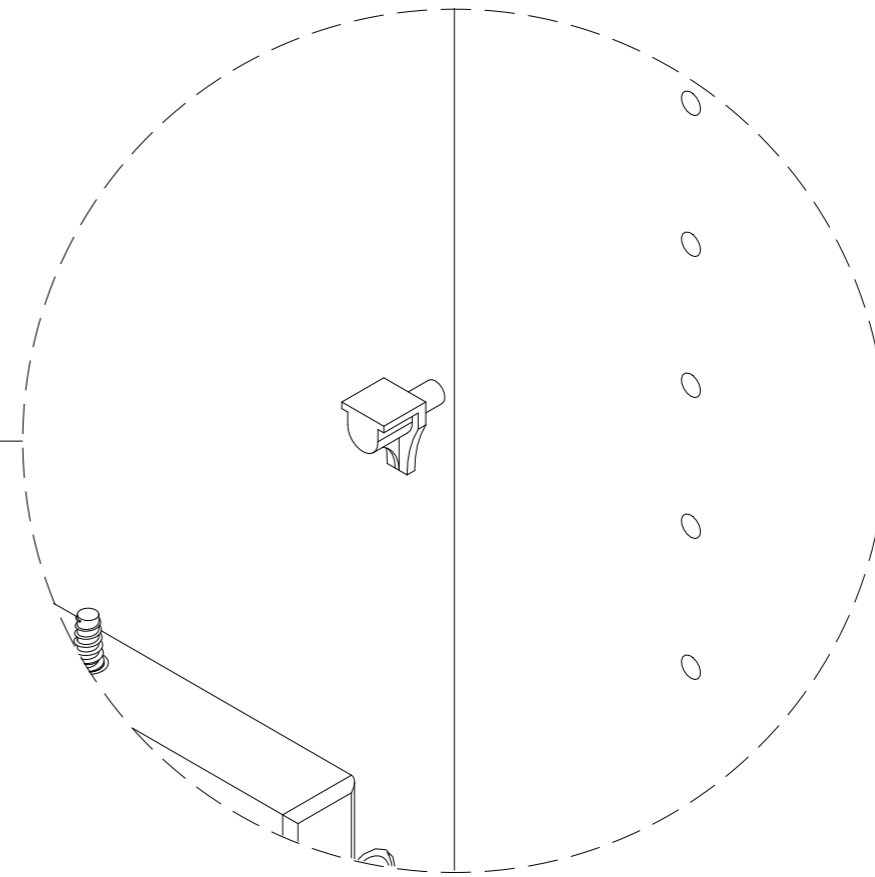
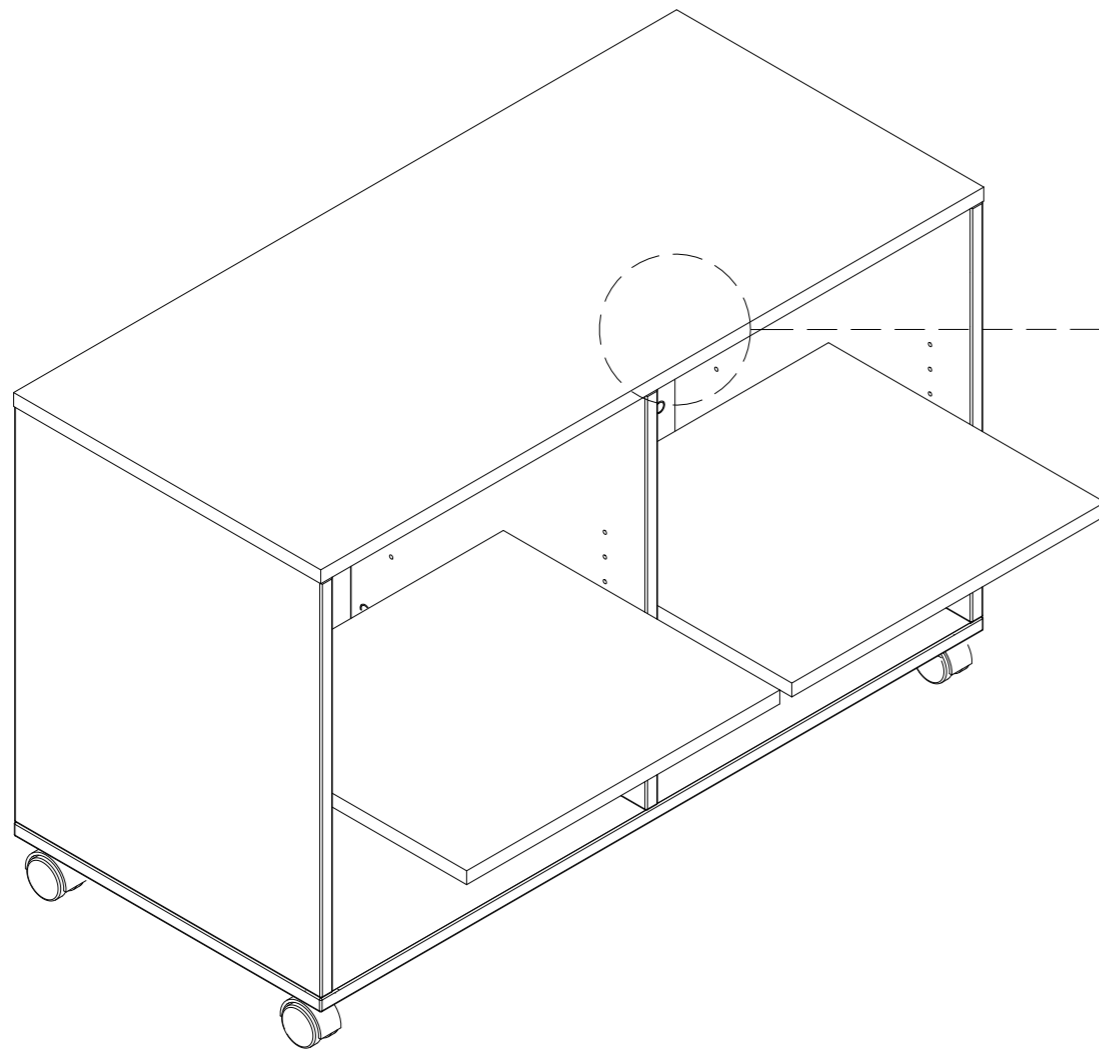


# Step 6



8 - Threaded Dowel Pin

p1



**Complete**

