

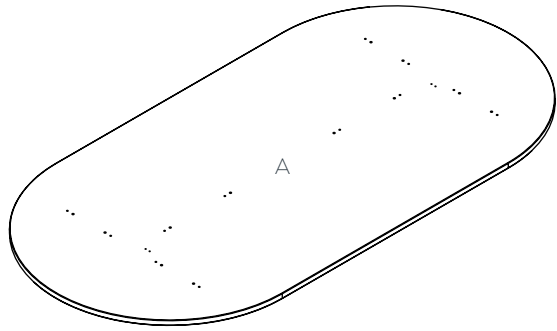
---

## **Ekosystem Meeting Table**

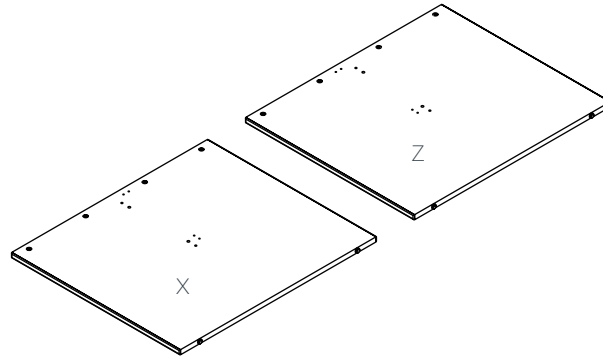
Assembly Instructions

# Ekosystem Meeting Table

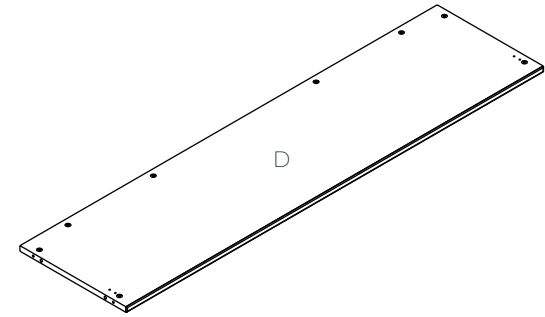
## Components List



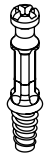
Left Side Panel (X) & Right Side Panel (Z)



Left Side Panel (X) & Right Side Panel (Z)

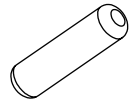


Left Side Panel (X) & Right Side Panel (Z)



16 - 6 x 35mm Cam Bolts

c1



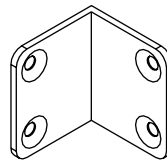
16 - 8 x 30mm Dowel Pin

d1



16 - 5/8" Cam Cover

c2



4 x Bracket

b1



16 - 4 x 16mm Screw

s1

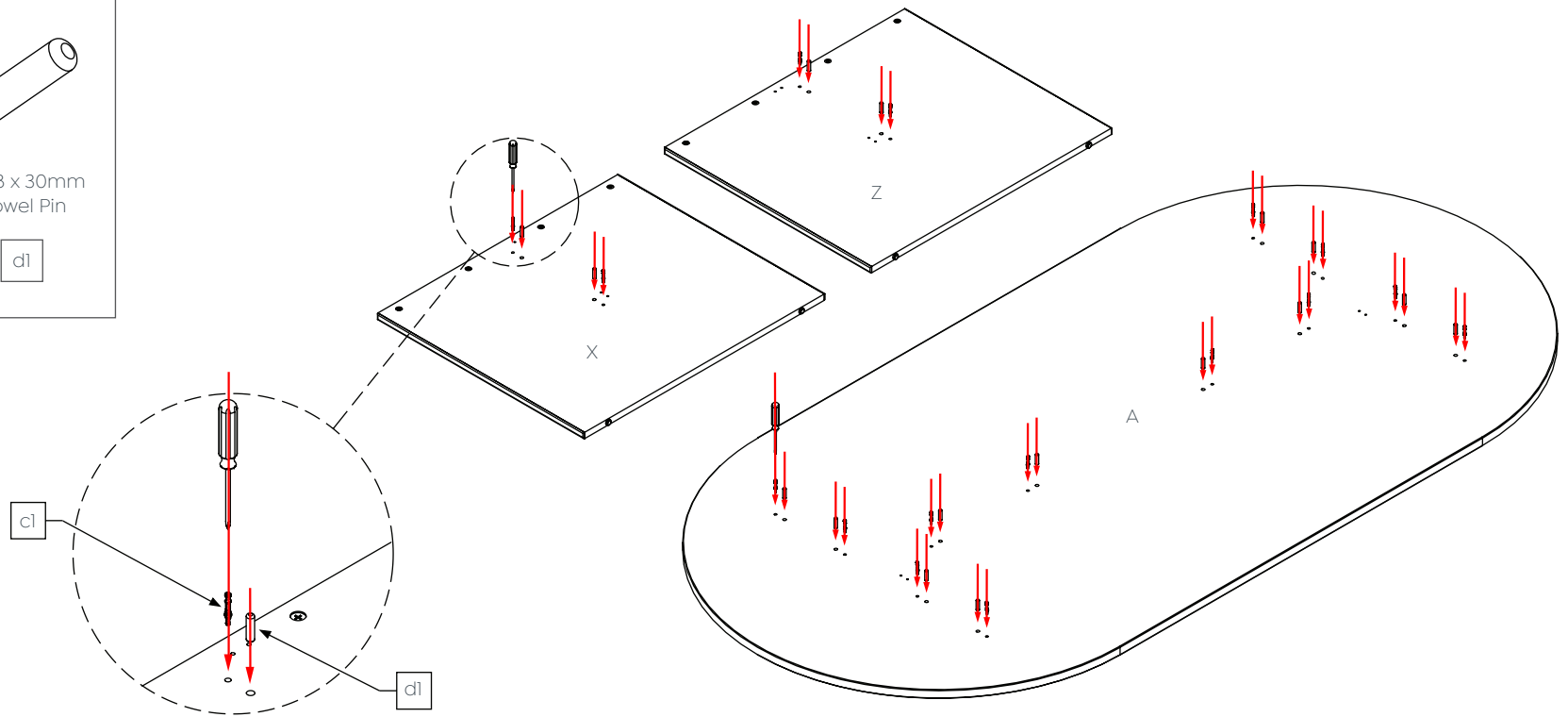
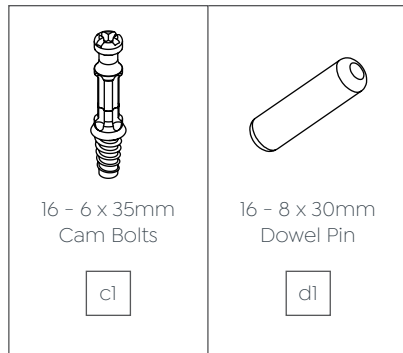
### Pre-installed Parts:



Cam

c5

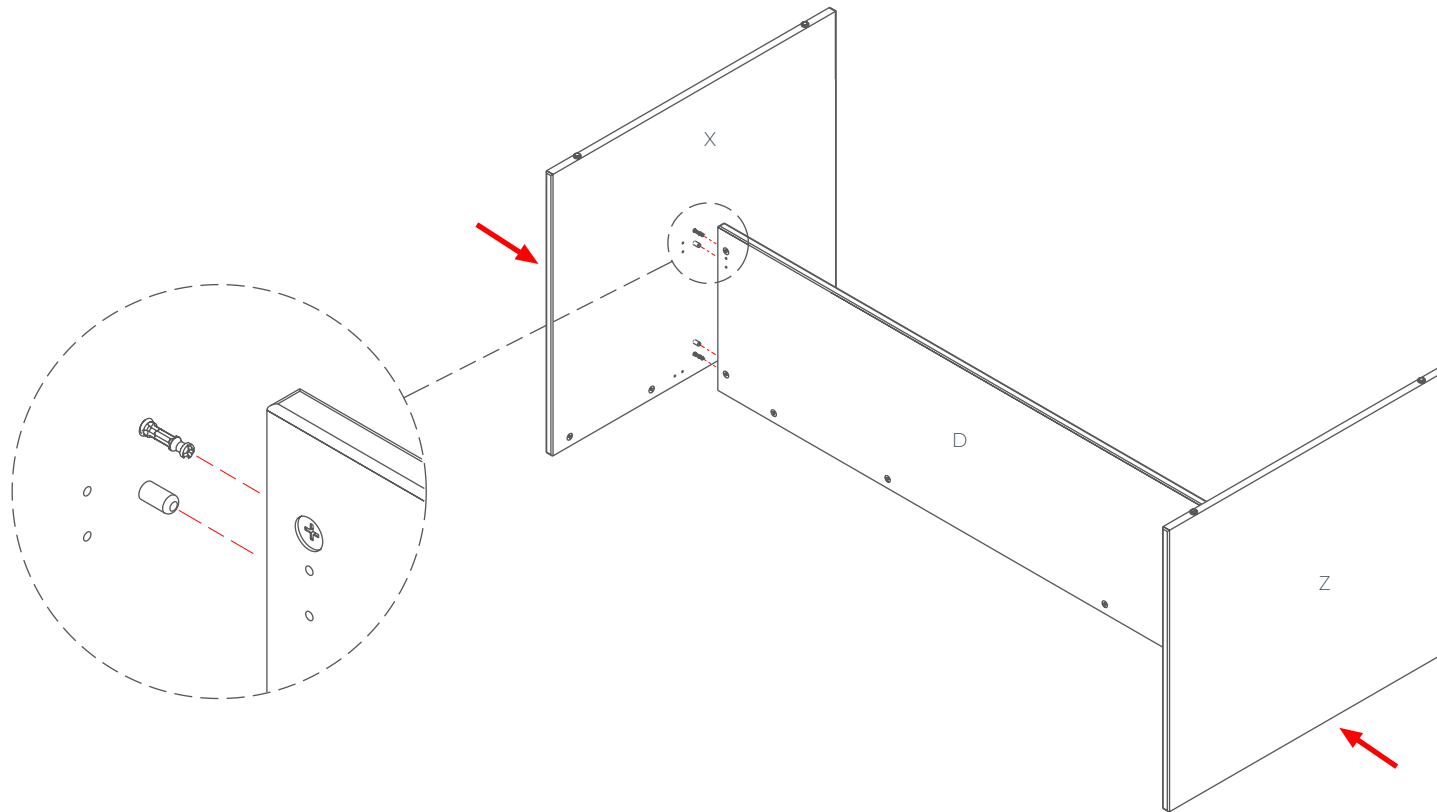
## STEP 1:





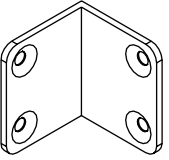
# Ekosystem Meeting Table

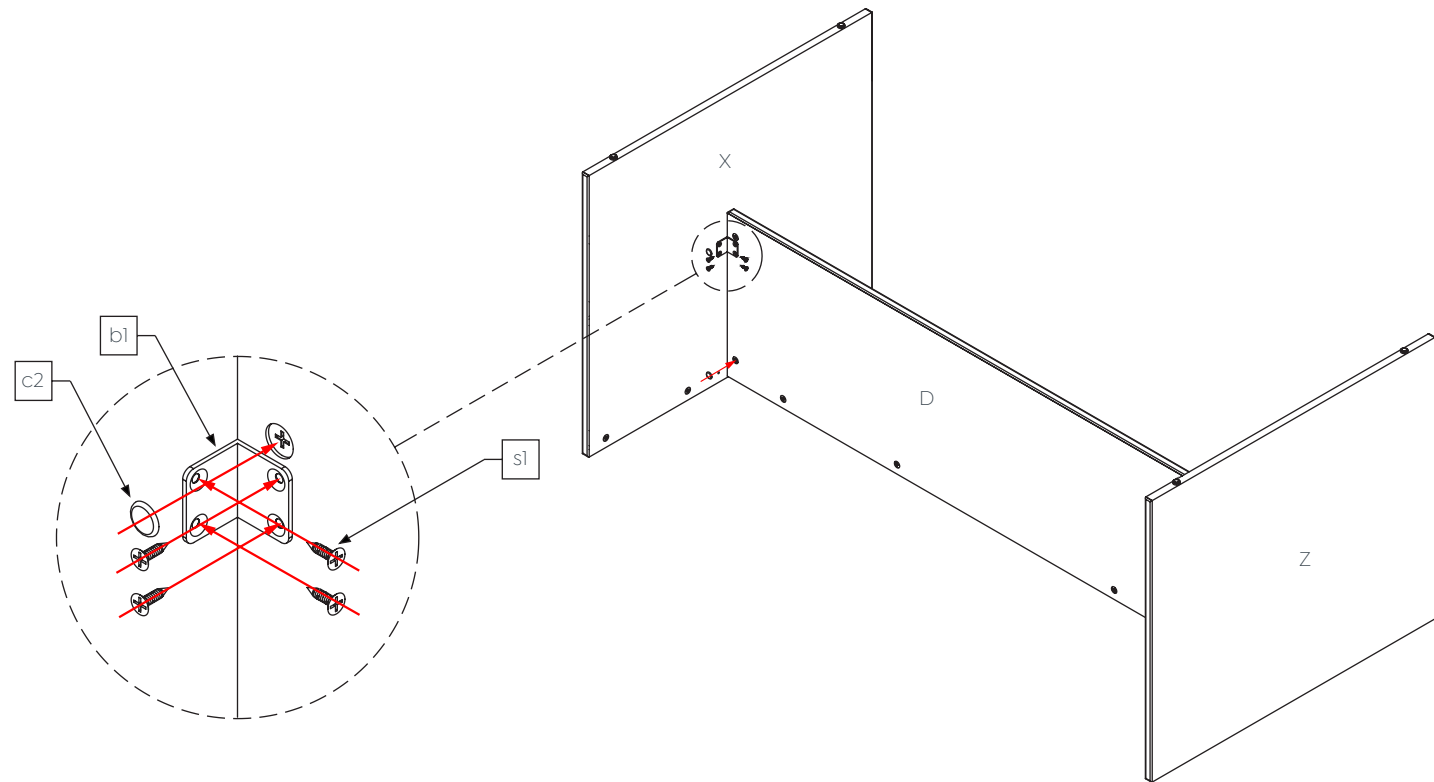
Components List

**STEP 2:**



## STEP 3:

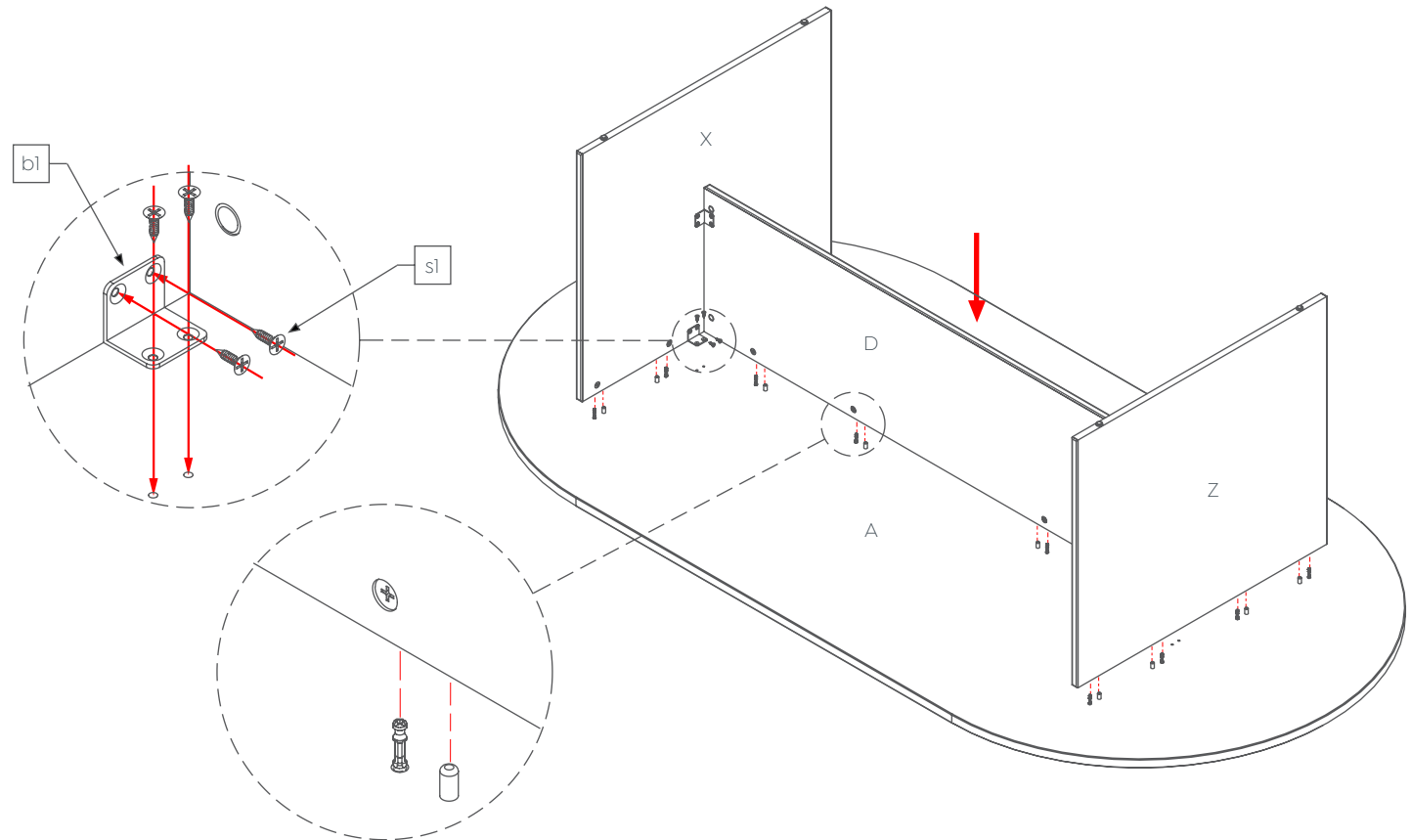
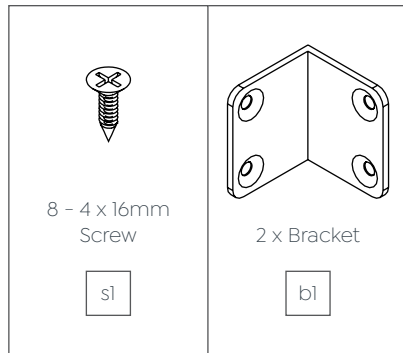
 <p>8 - 4 x 16mm Screw</p> <p>sl</p>	 <p>4 - 5/8" Cam Cover</p> <p>c2</p>
 <p>2 x Bracket</p> <p>bl</p>	



# EkoSystem Meeting Table

## Assembly Instructions

### STEP 4:

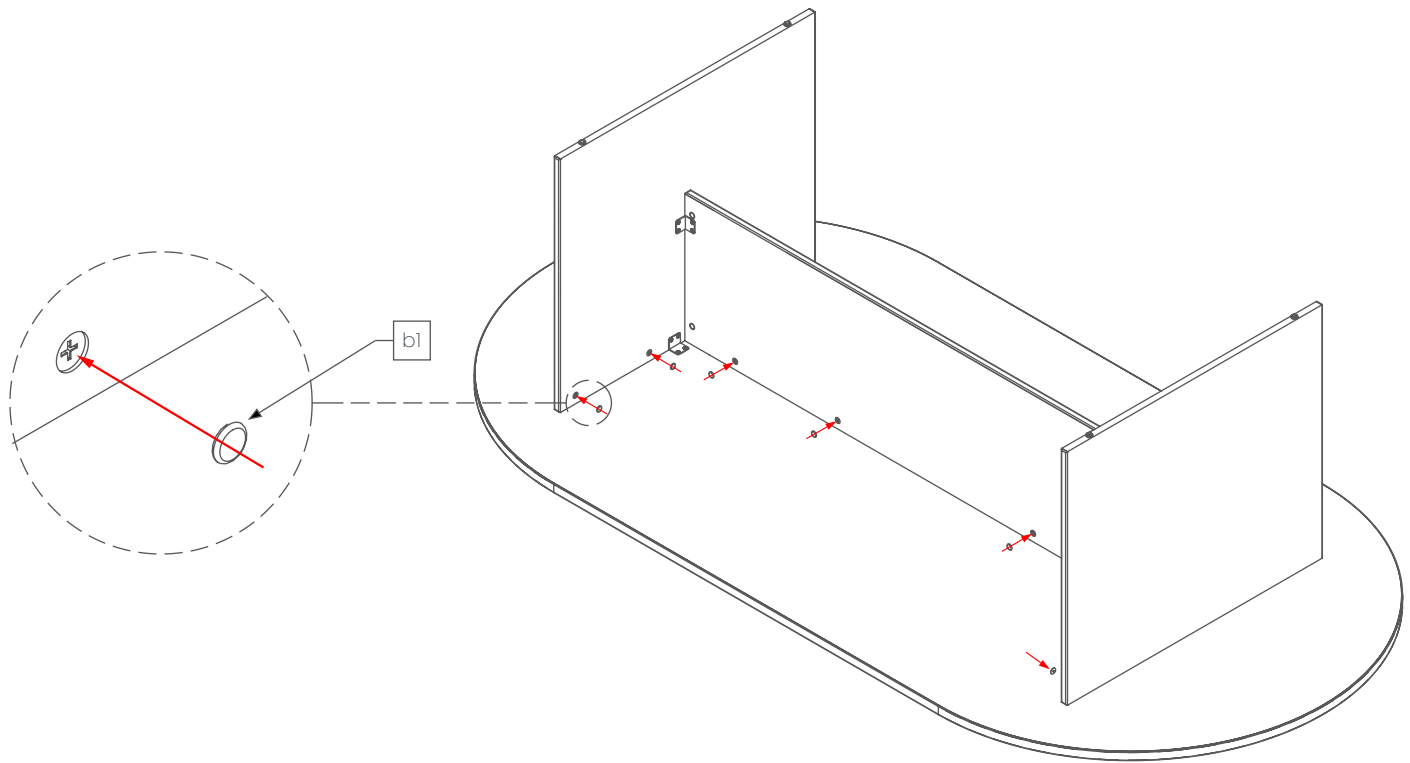


**STEP 5:**



12 - 5/8" Cam  
Cover

c2



# EkoSystem Meeting Table

Assembly Instructions

---

## STEP 6:

