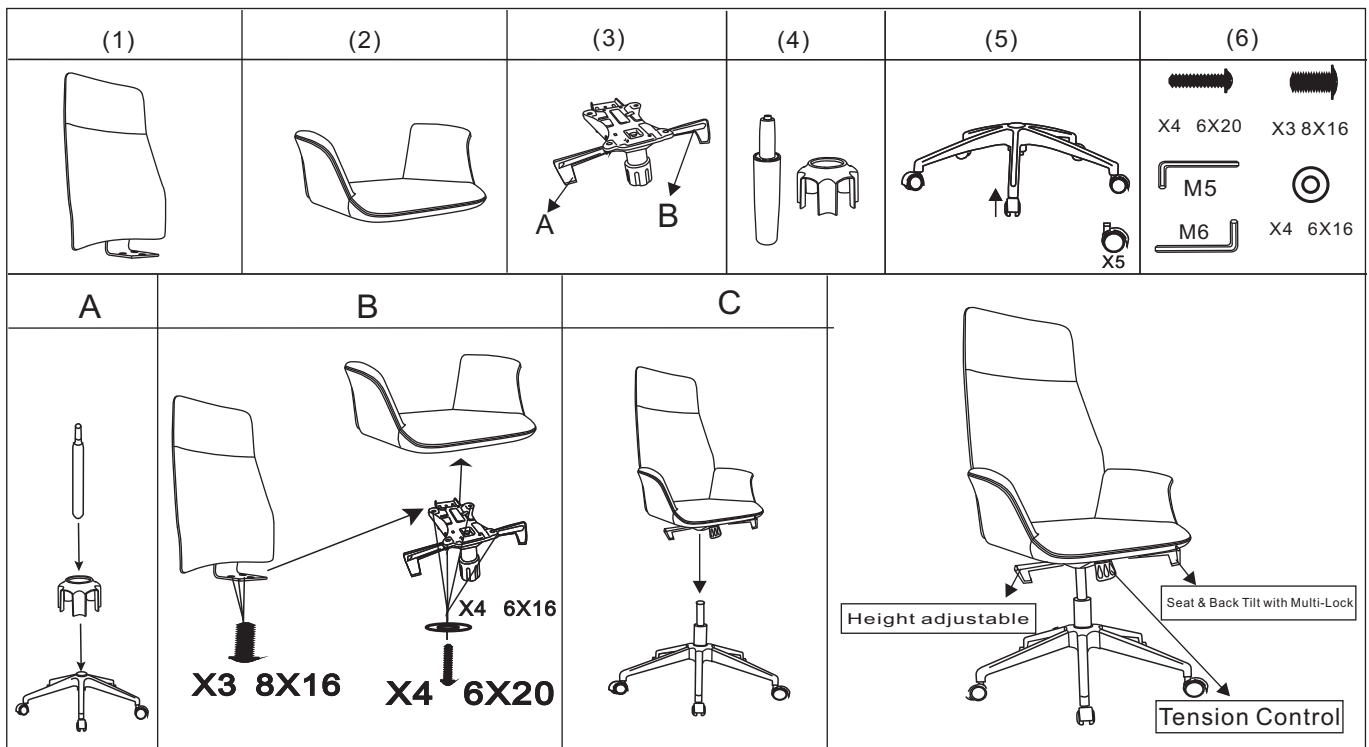


ACCORD HB GBL



ADJUSTING MECHANISM

Seat height adjustment: Lift lever A

Seat & Back tilt with multi-lock: Lift up B to make back tilt.

Lean back and press down lever B to lock back in multi-position.

Tension control: Turn knob to make chair suit your weight.

ERGONOMIC INSTRUCTION

*For good blood circulation, adjust the seat height to make your feet rest flat on the floor.

*Your forearms should be close to horizontal.

MAINTENANCE

*Protect the chair from direct sunlight.

*Check and tighten all the bolts periodically.

FABRIC CARE

*Vacuum regularly and gently.

*Wipe clean with damp cloth.

*Use leather cleaner where leather is applicable.

*Test on concealed before proceeding.

WARNING

*Do not use this chair unless all bolts/knob are tightened and this chair is assembled firmly and properly.

*This chair is for one person to sit on. Do not stand on the chair.

*Do not touch mechanism except lever handle/knob when people is sitting in.

*Only trained personel replace or repair cylinder.

*Failure to follow these warnings could result in serious injury.