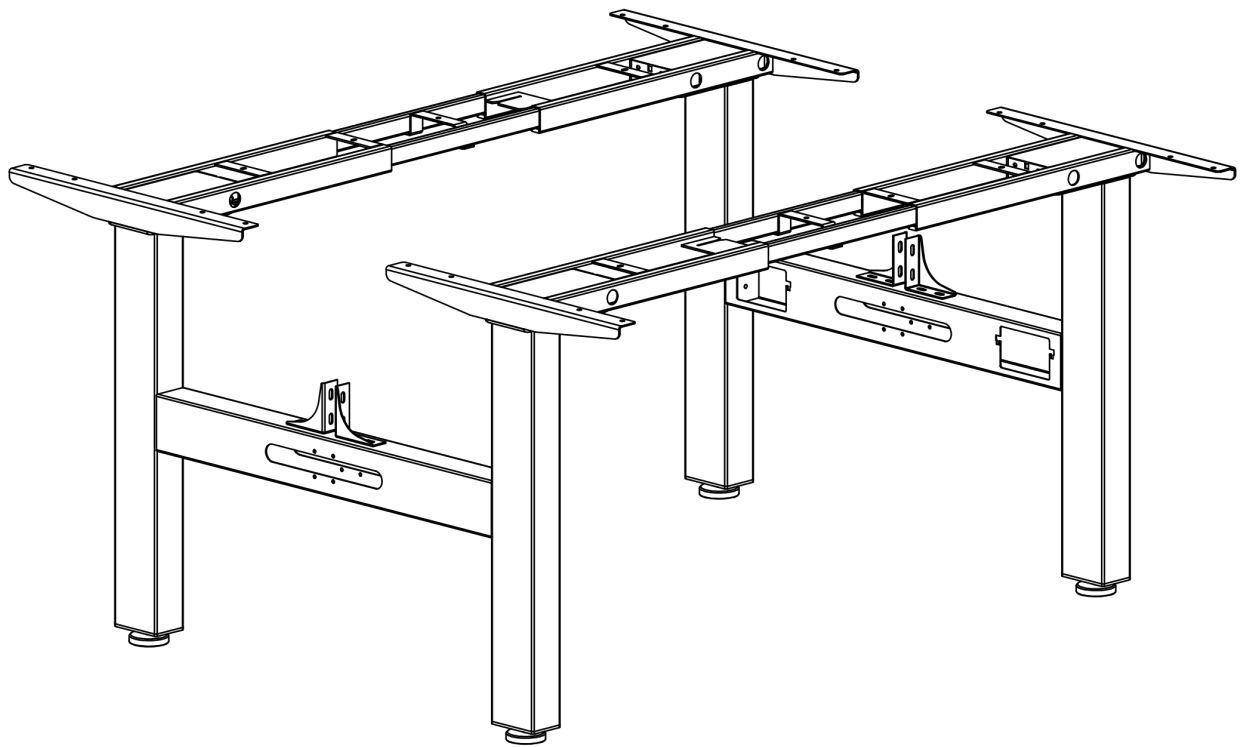


# Boost Static Back To Back Fixed Height Workstation

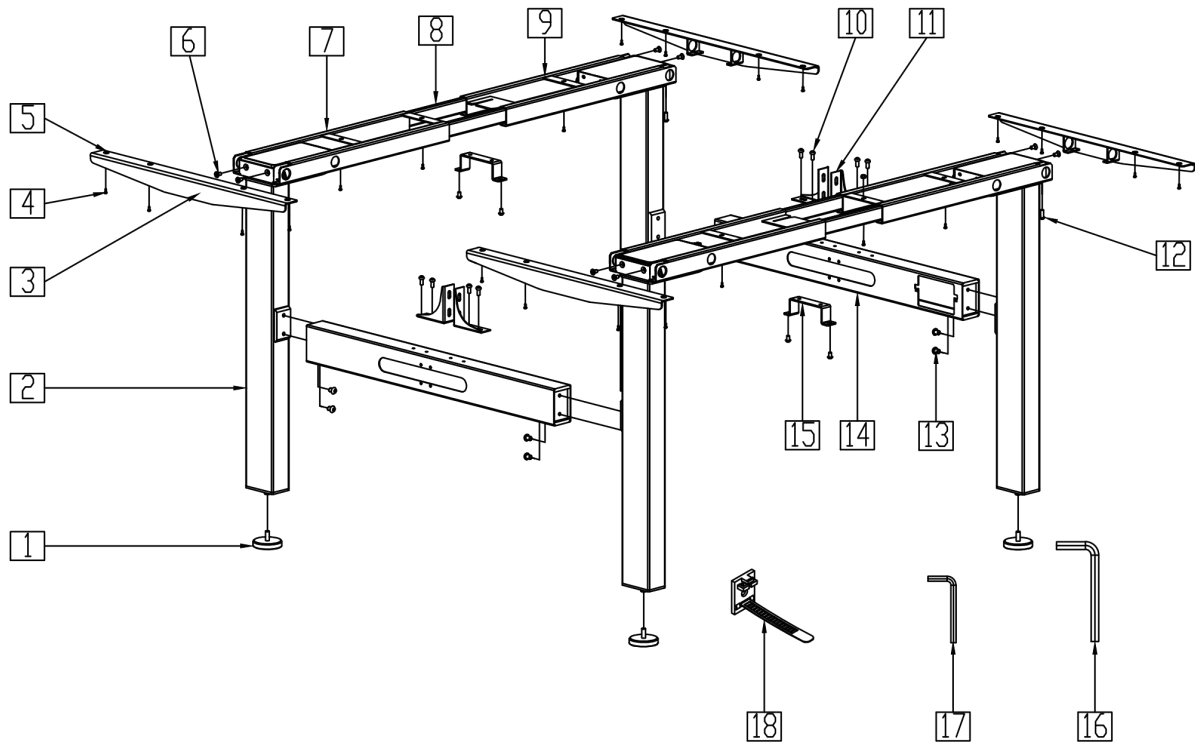
## Instruction Manual

### Table of Contents

Component parts .....	2
Assembly Instructions .....	3



## Component parts

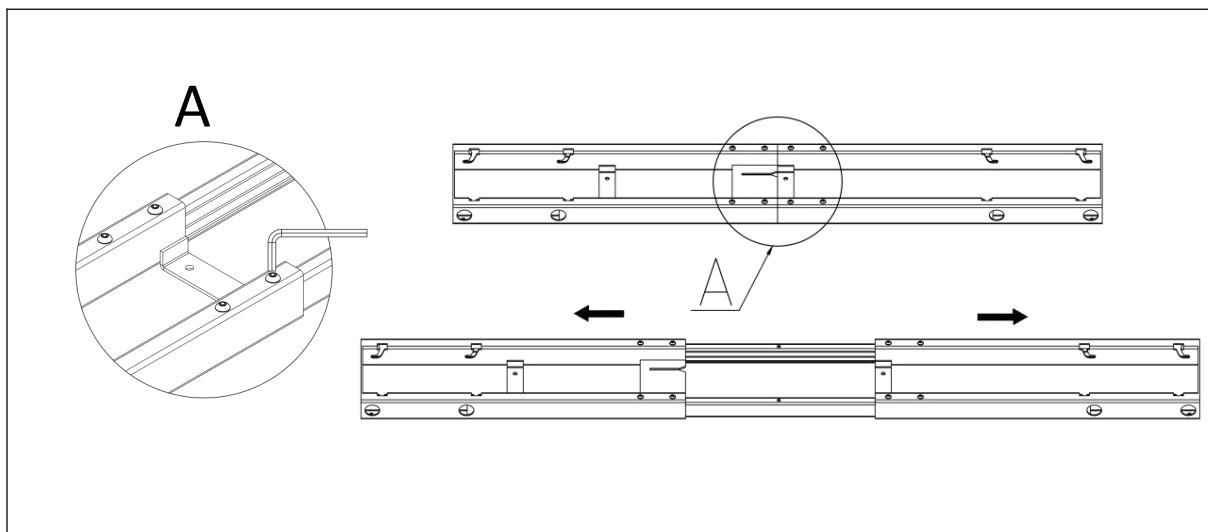


NO.	Component Name	PCS	NO.	Component Name	PCS
1	Leveling pad	4	10	Bolts M6x10	14
2	Column	4	11	Screen brackets	4
3	Side Bracket	4	12	Bolts M6x16	10
4	ST4x20	40	13	Bolts M8x10	8
5	Rubber pad	24	14	Connected beam	2
6	Bolts M6x12	10	15	Centre bracket	2
7	Top frame -1	2	16	Allen Wrench(5mm)	1
8	Centre rails	4	17	Allen Wrench(4mm)	1
9	Top frame-2	2	18	Cable Tie	10

# Assembly Instructions

## Step 1

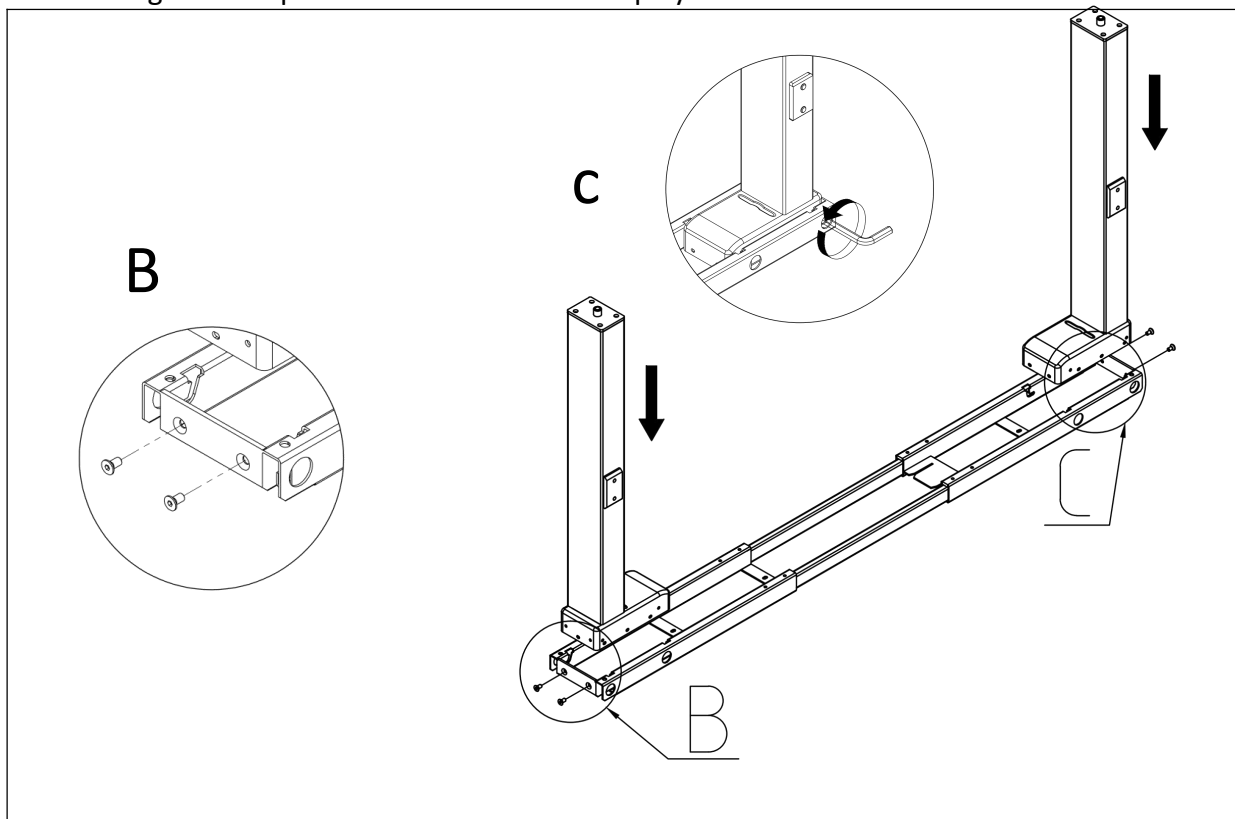
Loosen the pre-installed bolts and Adjust the length of the top frame to match the size of the table top.



## Step 2

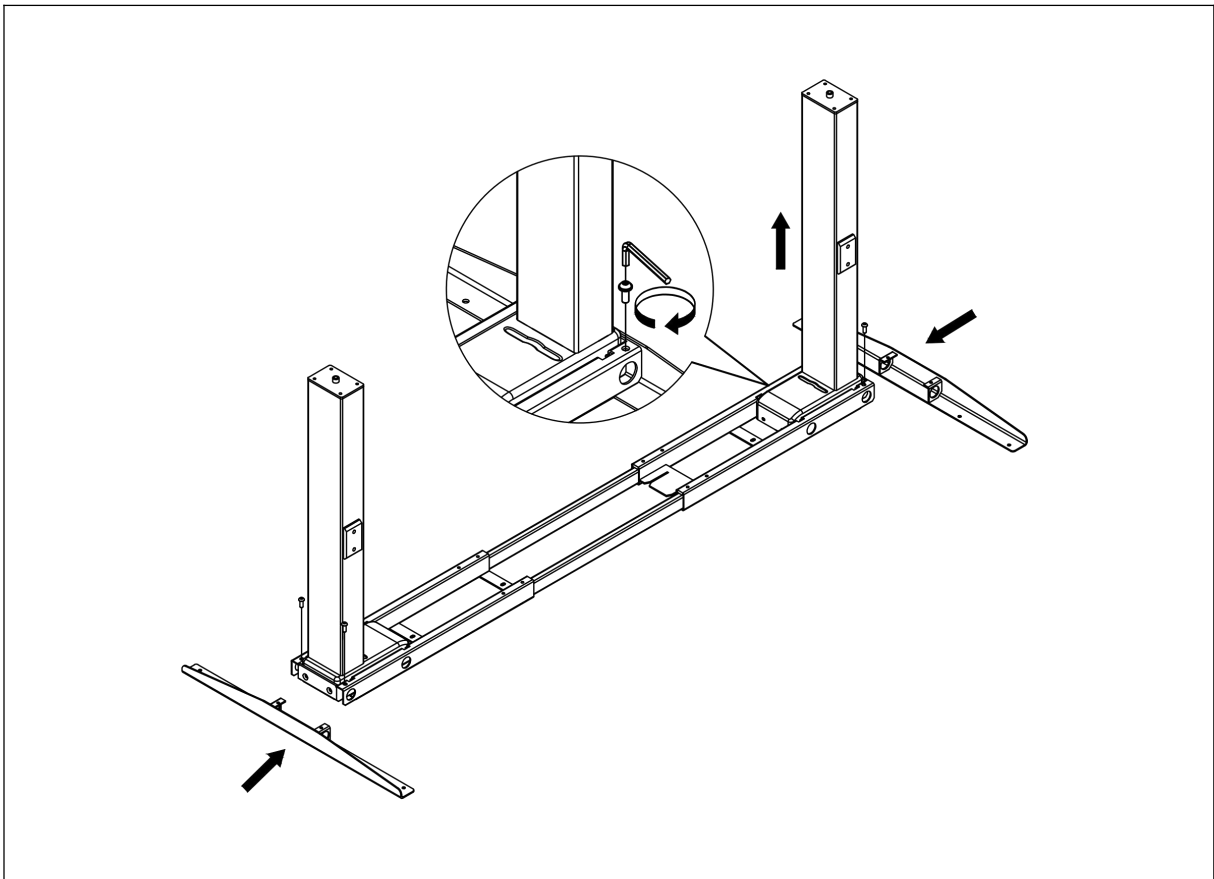
Inset the column to the top frame.

- First fix 8pcs screws M6x12 like **B** displayed
- And then tighten the pre-installed bolts like **C** displayed



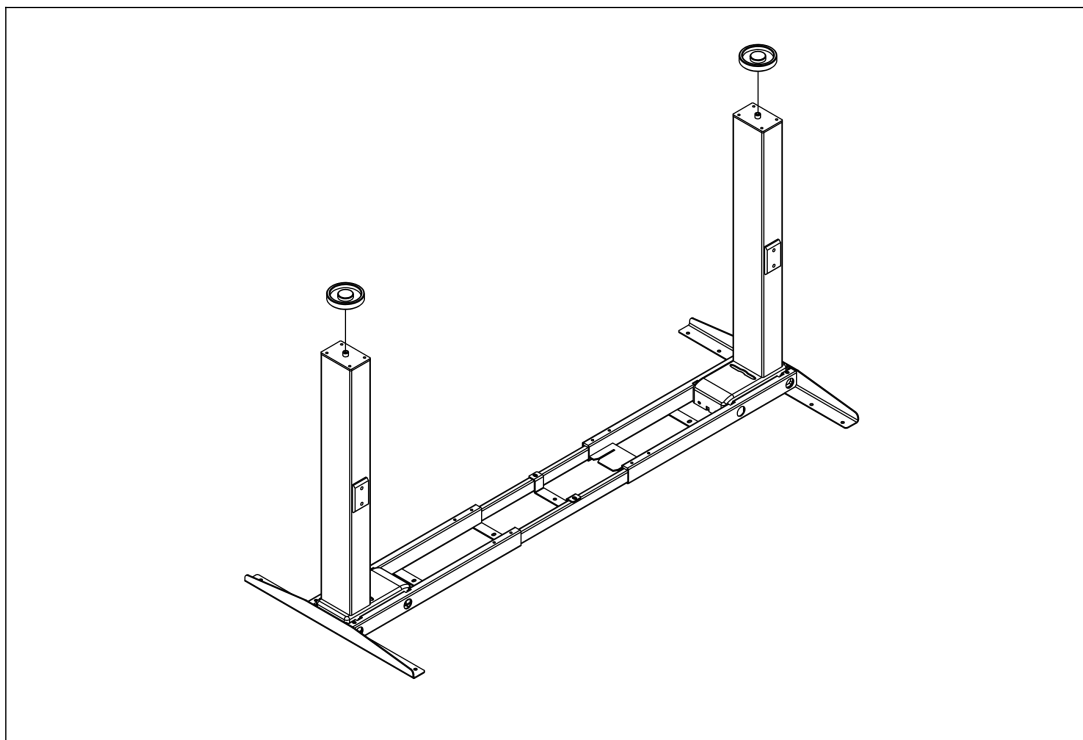
**Step 3**

Install the side brackets with Screws 8 pcs M6x16,



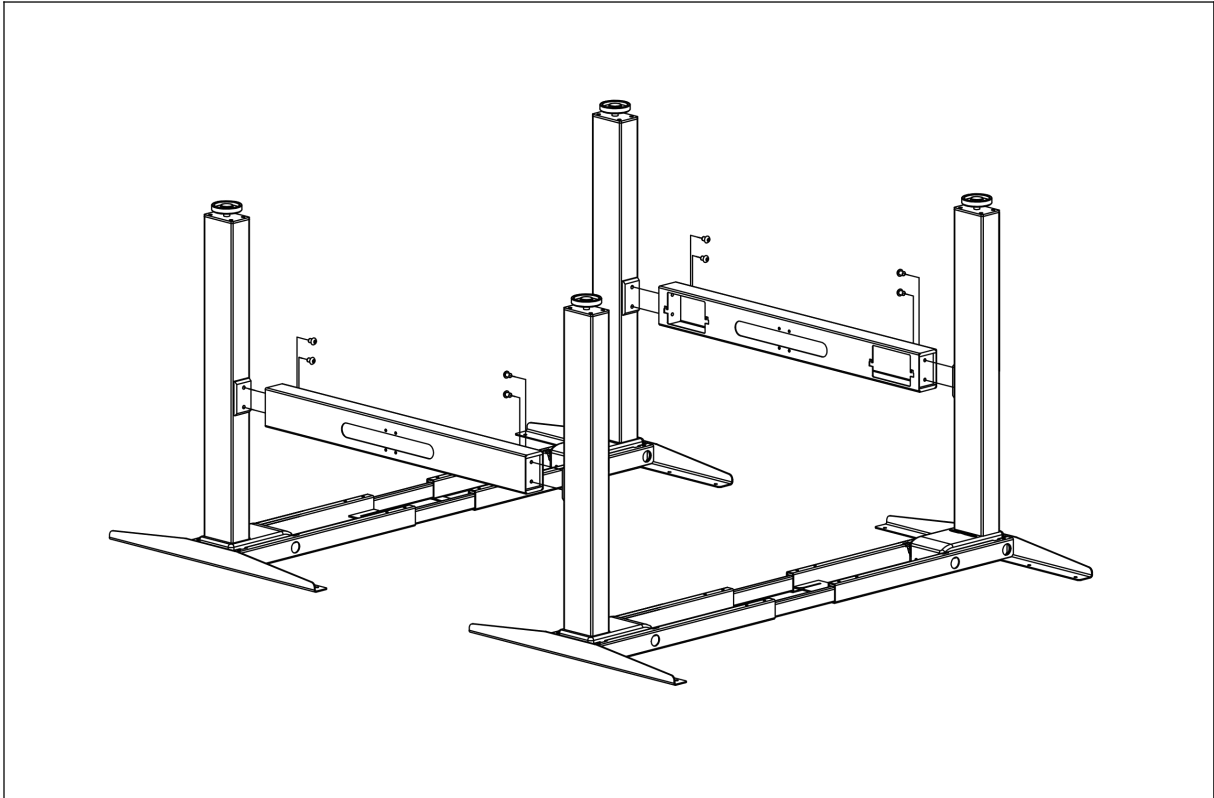
**Step 4**

Install the leveling pads



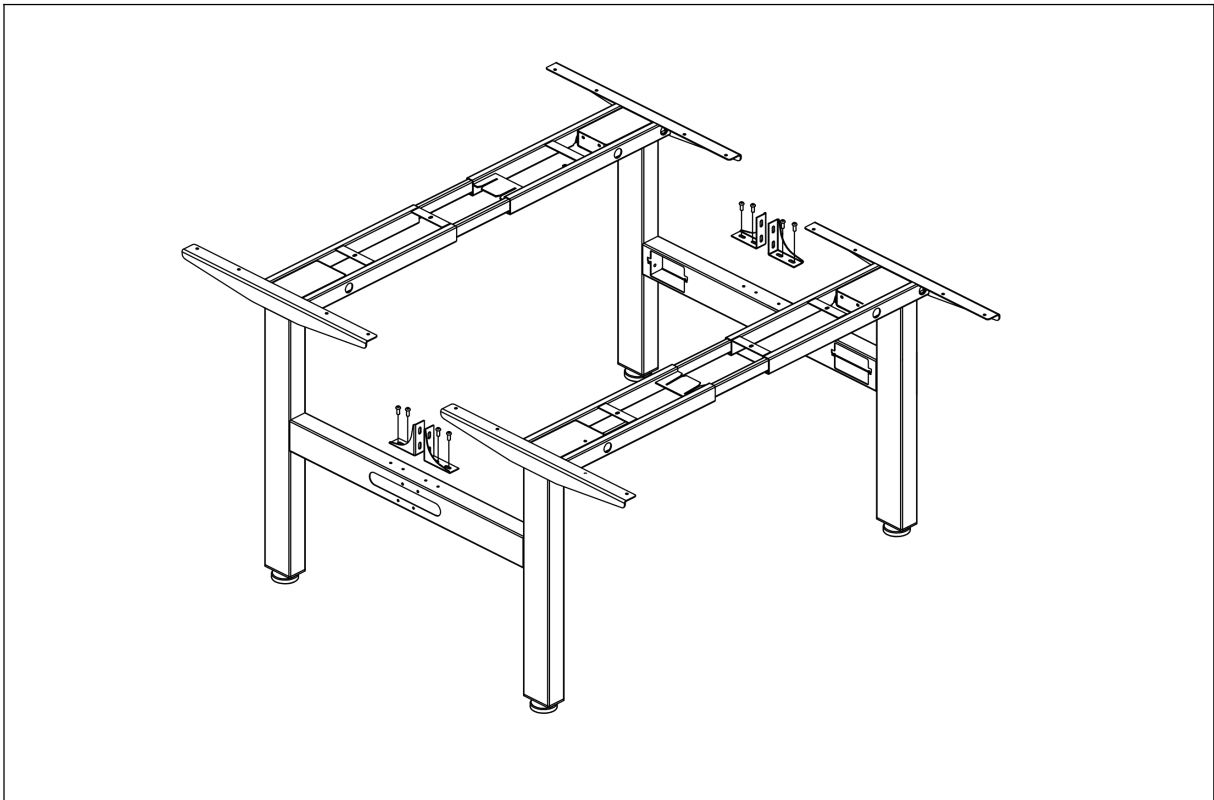
**Step 5**

Install the connected pipe with 8 pcs screws M8x10



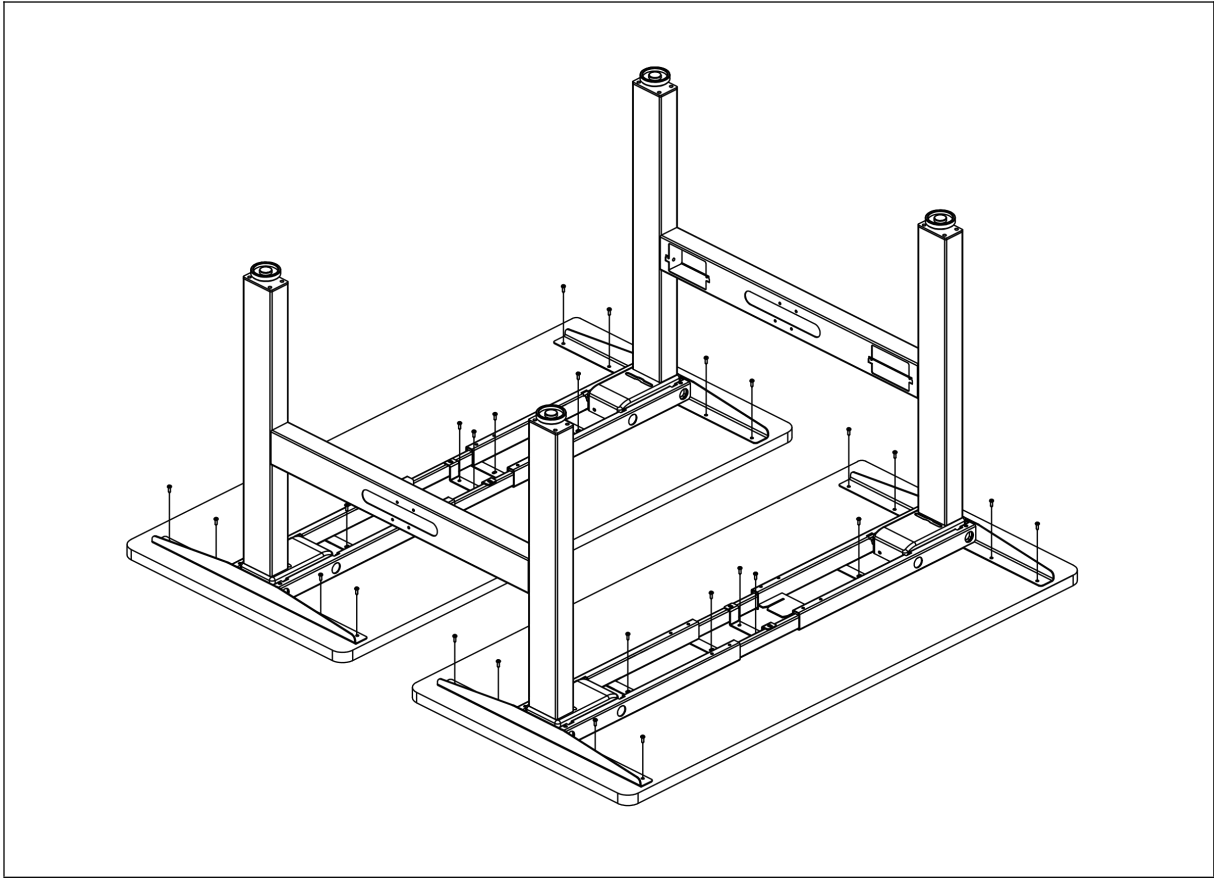
**Step 6**

Fix the screen brackets with 8 pcs screws M6x10.



**Step 7**

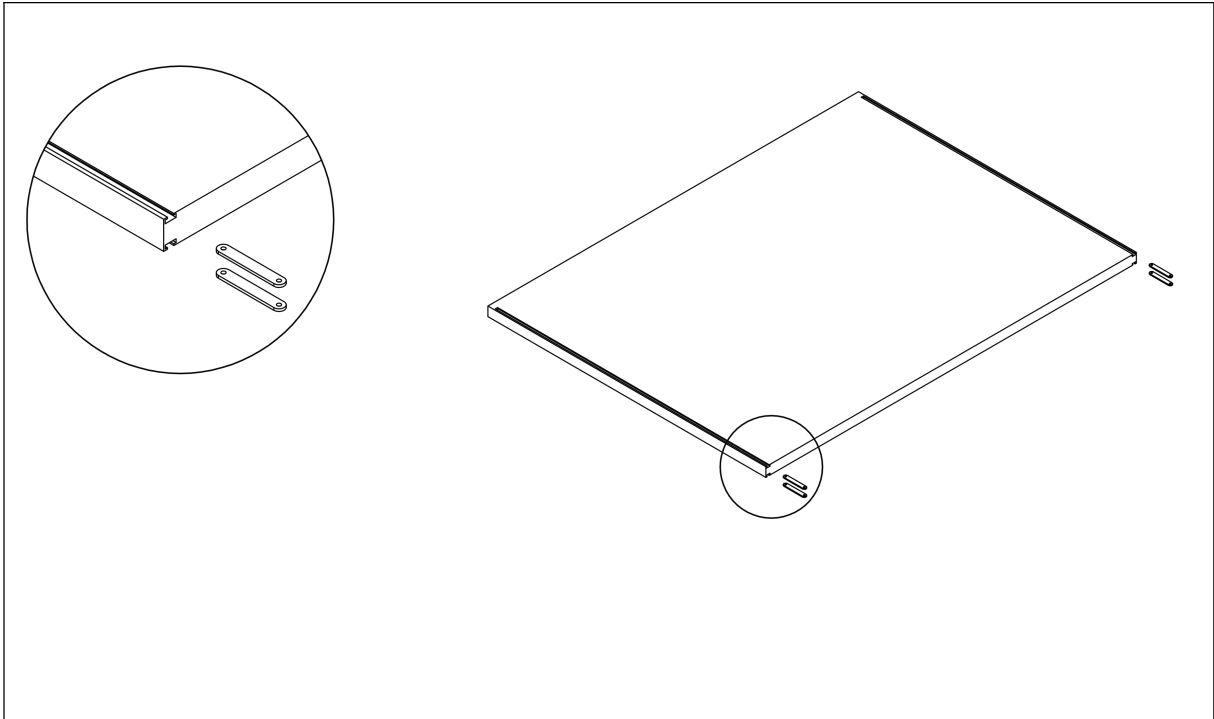
Fix the table top with 26pcs screws ST4x20 ,Install the centre bracket with 4 pcs screws M6x10



## Screen panel installation

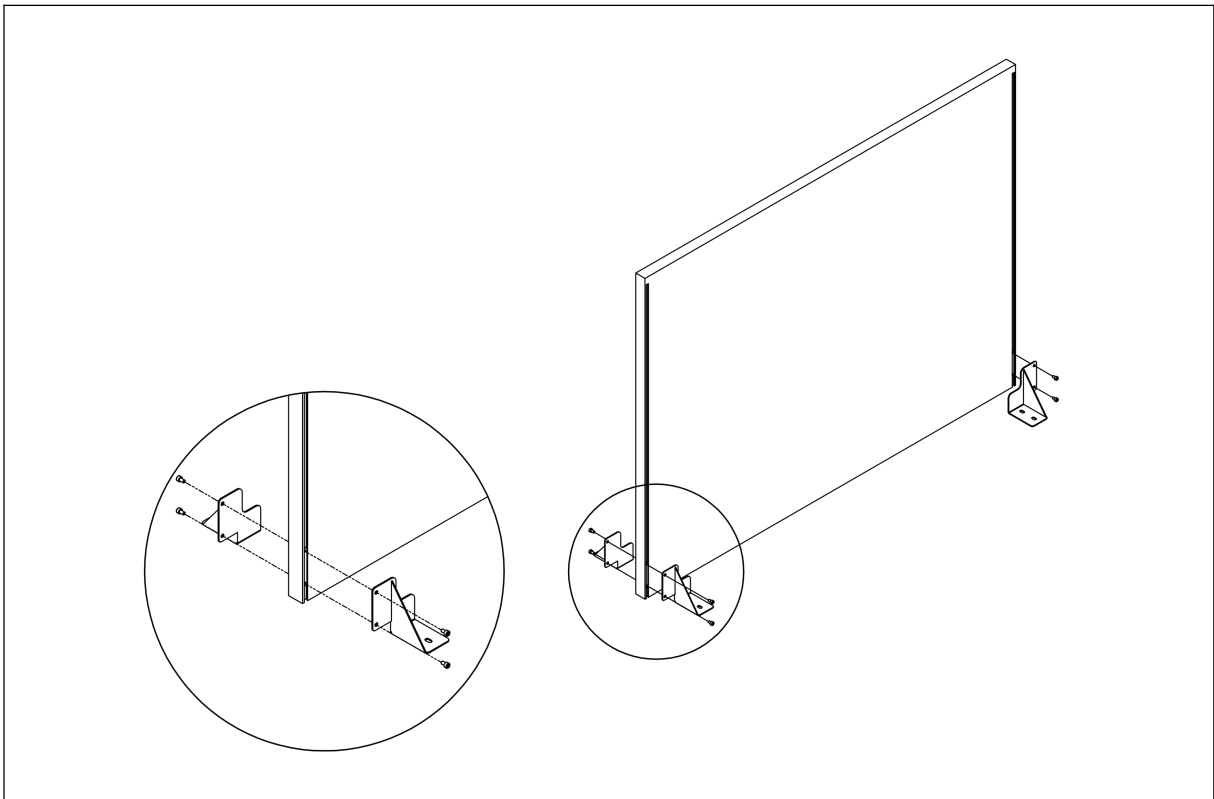
### Step 1

- Insert the tapped plates to the screen panel



### Step 2

- Install the brackets to the panel with 8 pcs M5x6 screws.



### Step 3

- Fix the panel to the desk frame with 8 pcs M6x10 screws.

