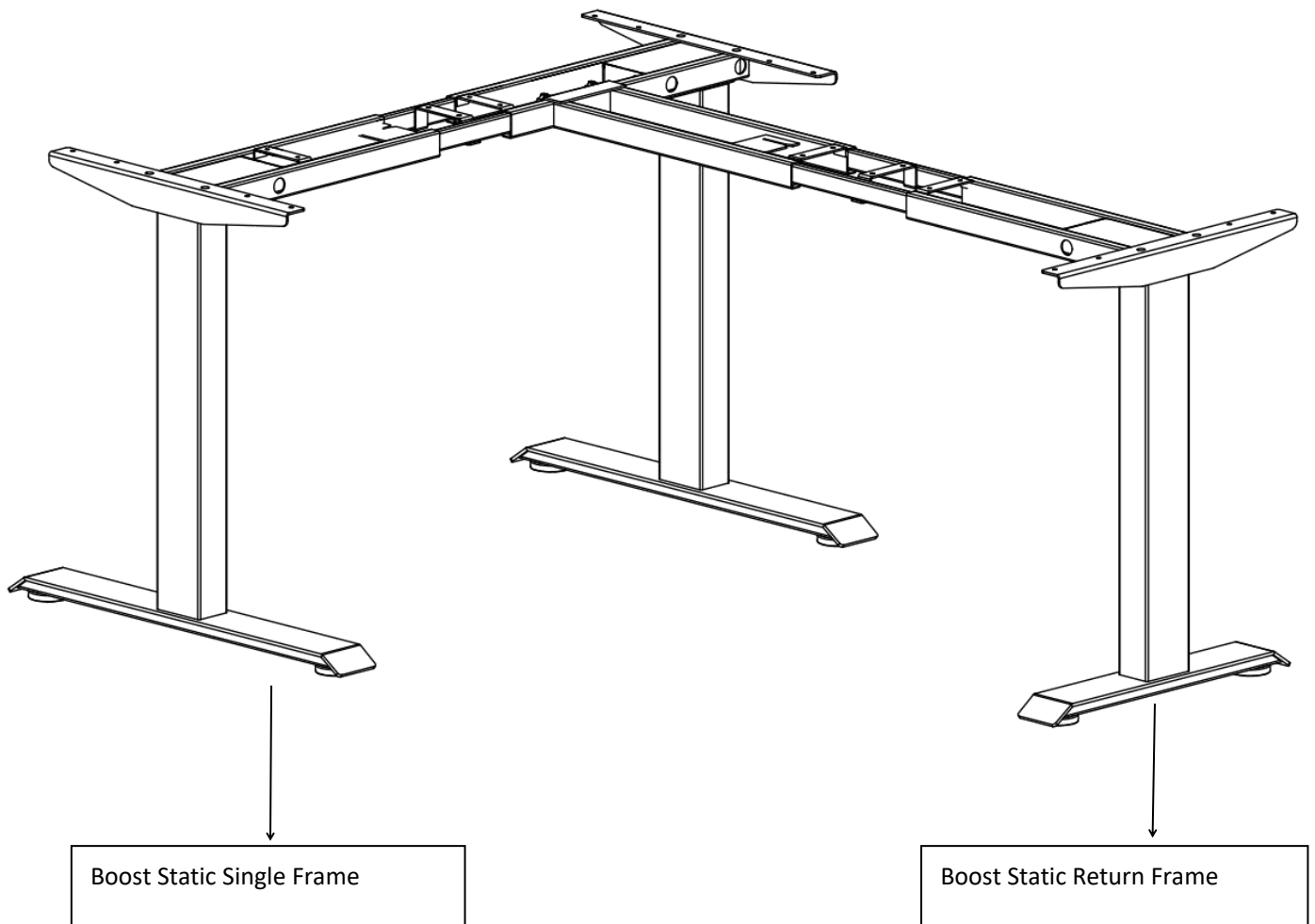


# Boost Static Return Fixed Height Workstation Frame

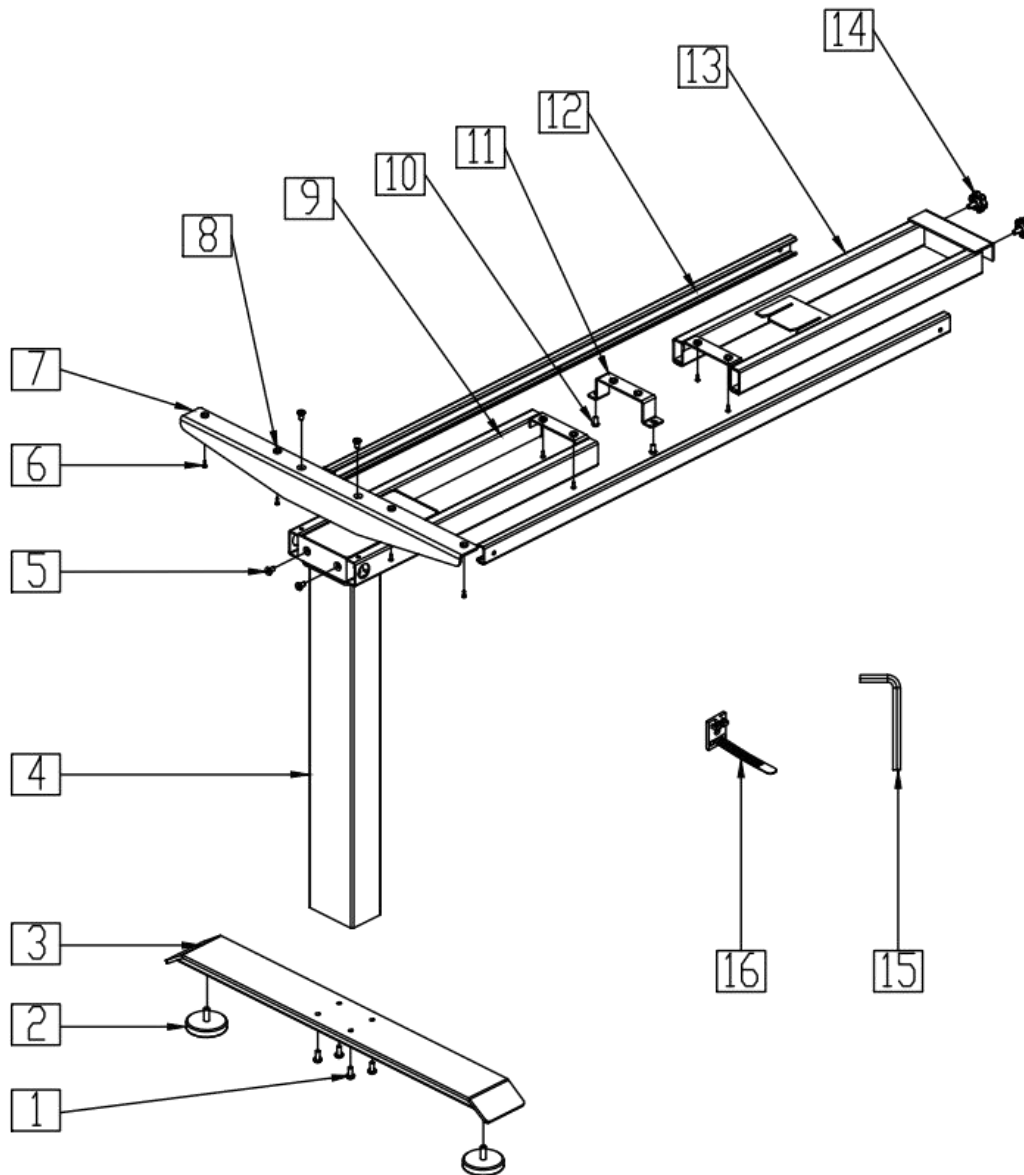
## Instruction Manual

### Table of Contents

Component parts .....	2
Assembly Instructions .....	3



## Component parts

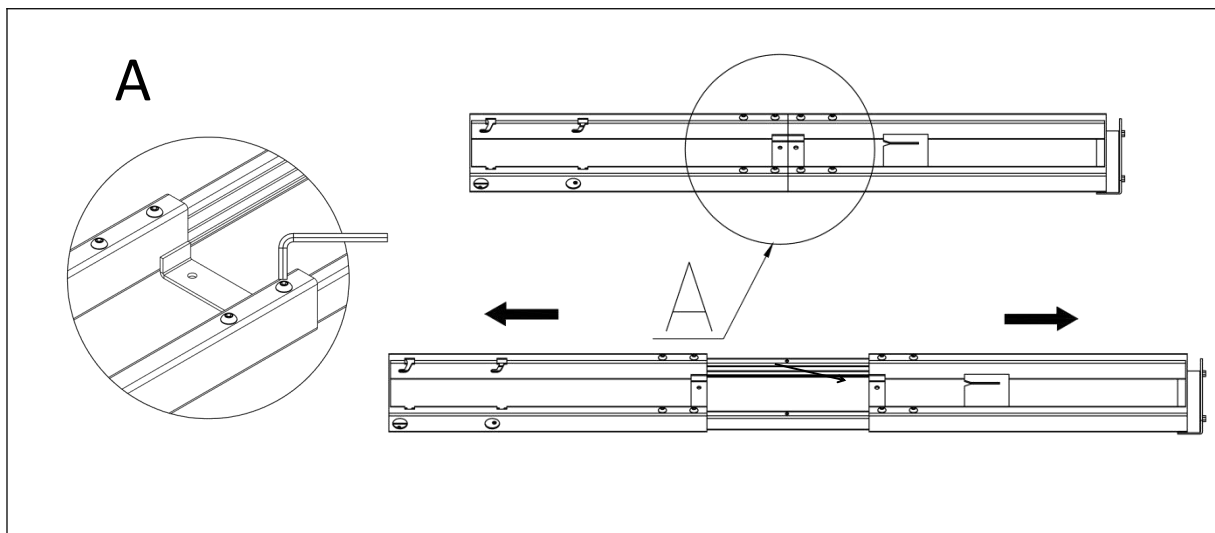


NO.	Component Name	PCS	NO.	Component Name	PCS
1	Bolt: M6x16	5	9	Top frame-1	1
2	Leveling pads	2	10	Bolt: M6x10	3
3	Table feet	1	11	Centre bracket	1
4	Column	1	12	Center rails	2
5	Bolt: M6x12	4	13	Top frame-2	1
6	Screw:ST4x20	13	14	Hand bolts M6x10	2
7	Side brackets	1	15	Allen Wrench(4mm)	1
8	Rubber pad	10	16	Cable tie	2

## Assembly Instructions

### Step 1

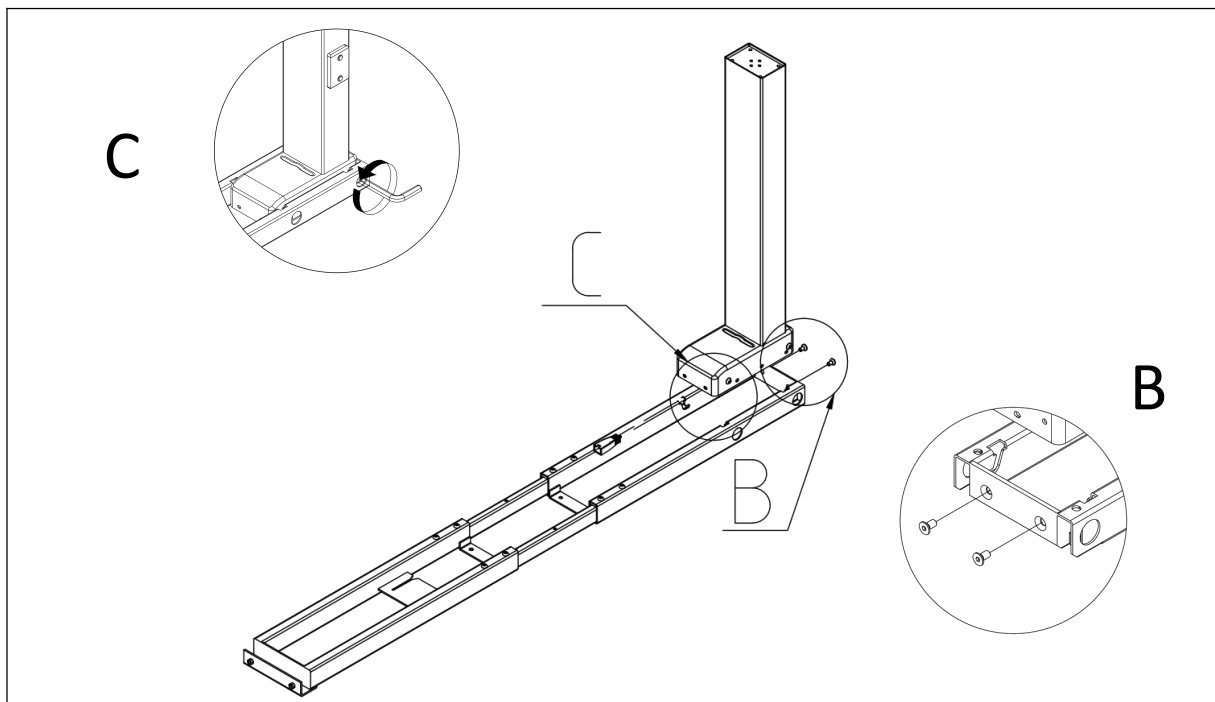
Loosen the pre-installed bolts and Adjust the length of the top frame to match the size of the table top.



### Step 2

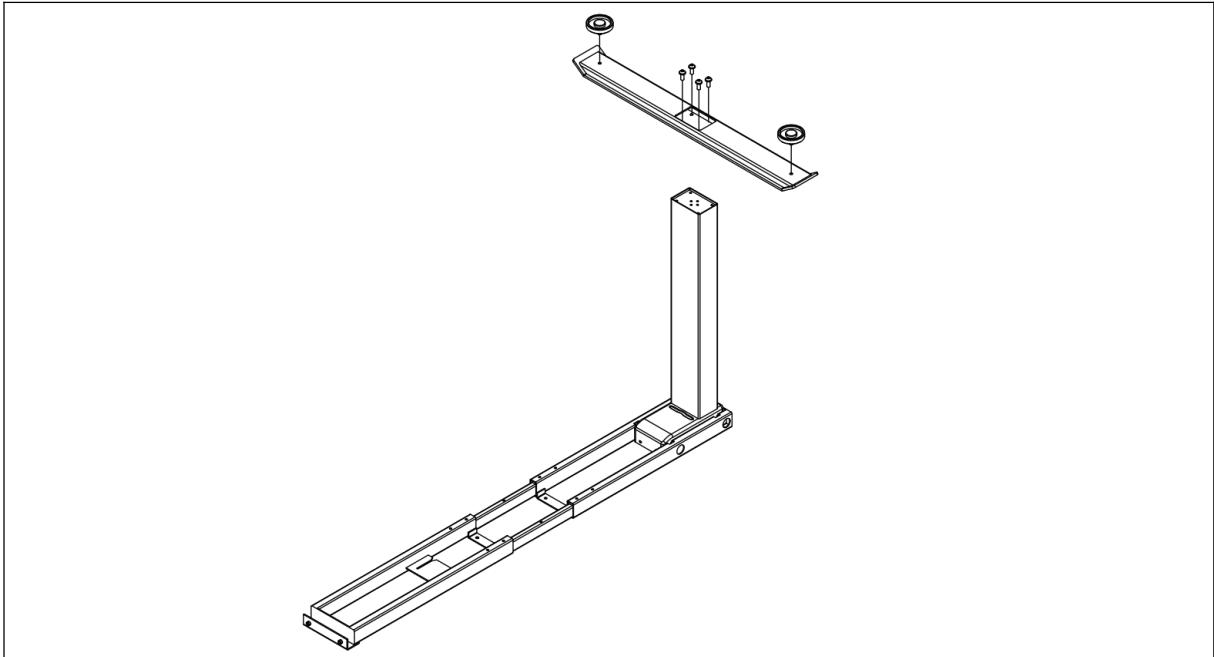
Inset the column to the top frame.

- First fix 2pcs screws M6x12 like **C** displayed
- And then tighten the pre-installed bolts like **B** displayed



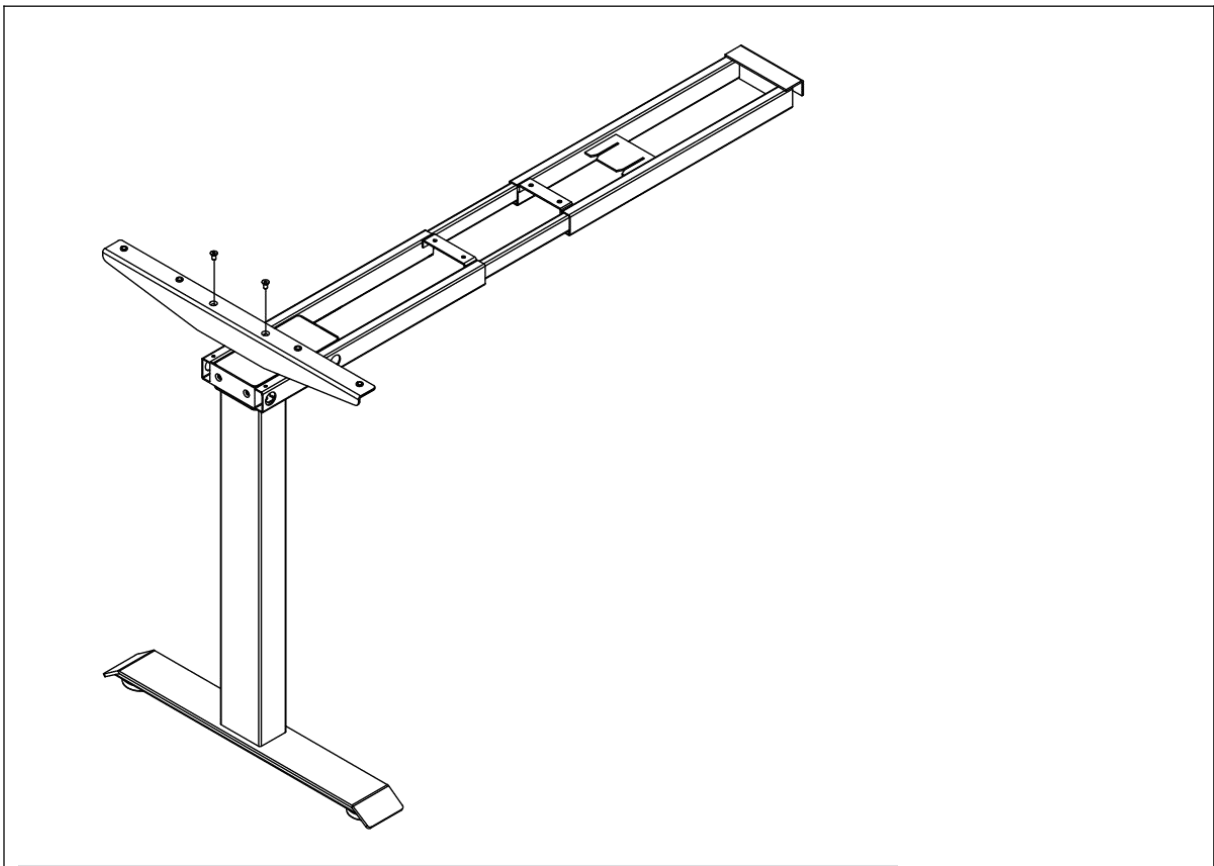
**Step 3**

Install the table feet Screws 4 pcs M6x16,install the 4 leveling pads.



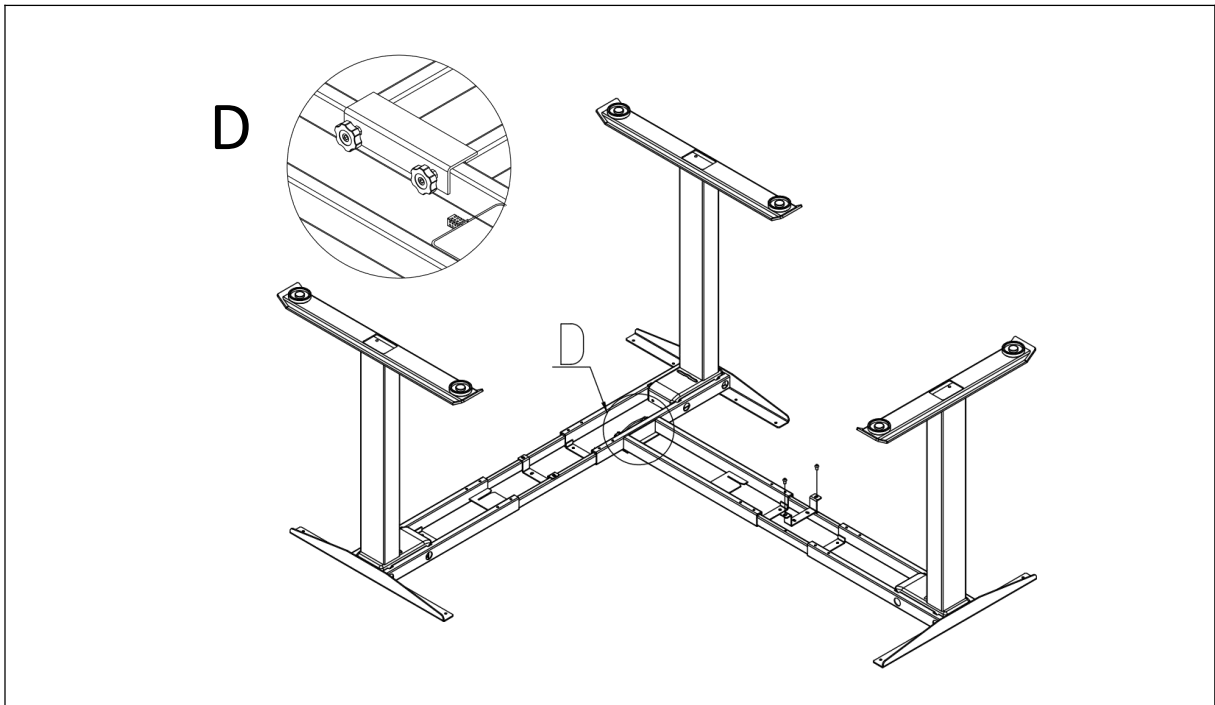
**Step 4**

Install the side bracket with Screws 2 pcs M6x12,



**Step 5**

Connect the return frame to the single workstation and fixed with 2 hand bolts.  
Fix the centre brackets with 2pcs screws M6x10.



**Step 6**

Mount the tabletop and fix it with 24 pcs screws ST4x20  
Tighten the bolts on top frame to fix it.

