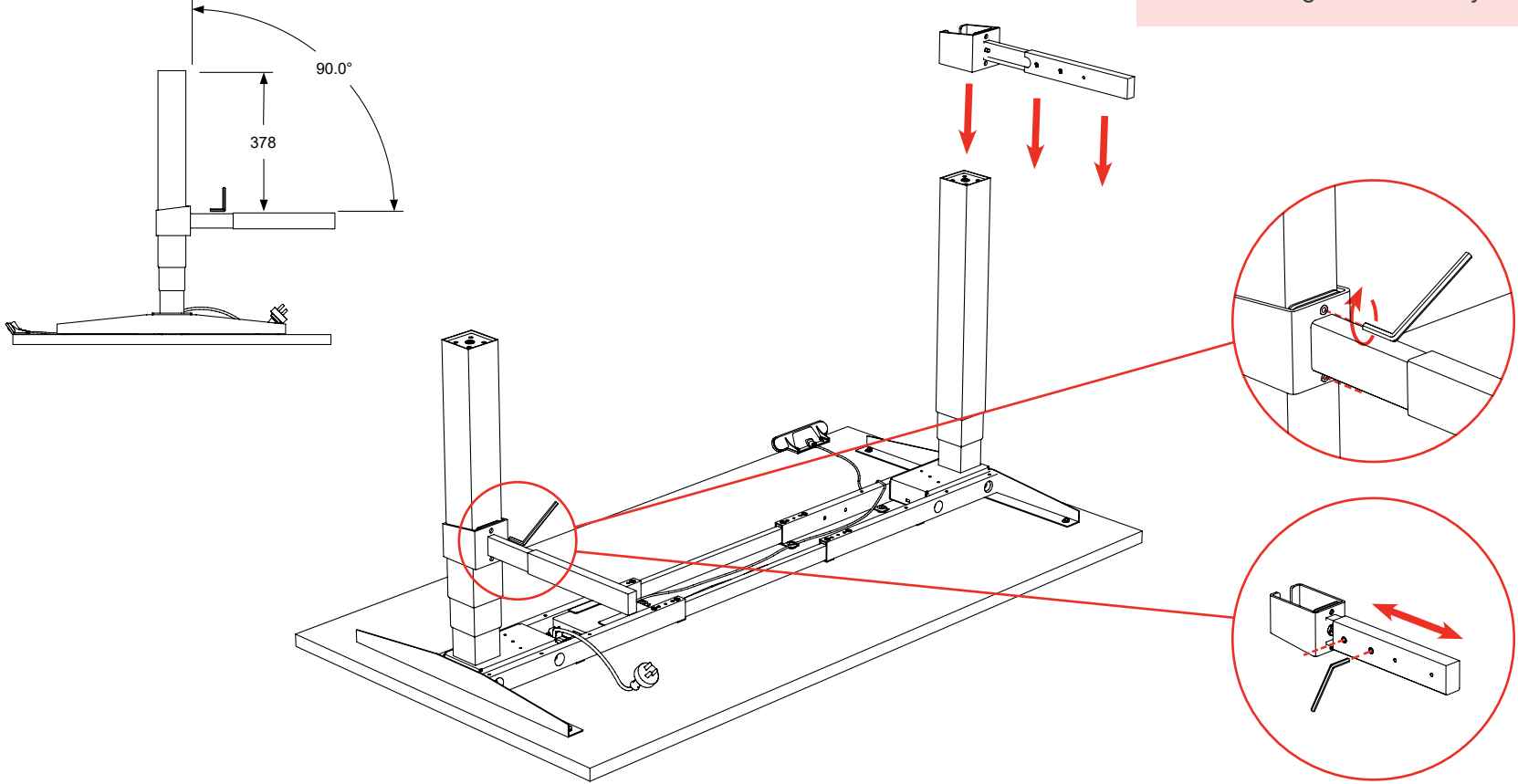
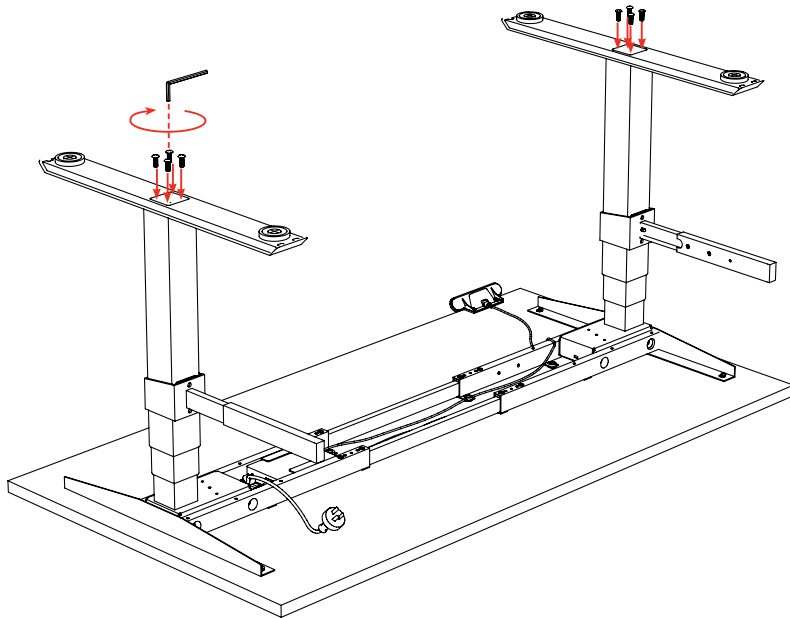


STEP 2:

NOTE:
Do not over tighten as this may cause desk malfunction.



STEP 3:

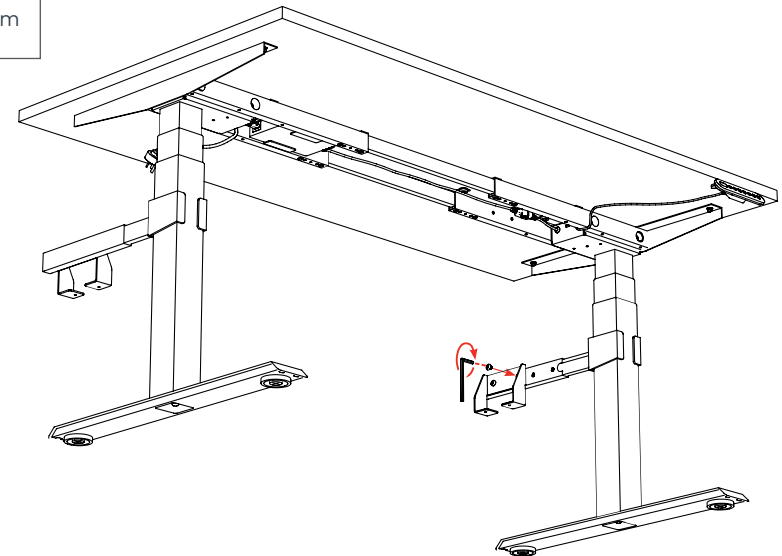


STEP 4:

5 pcs



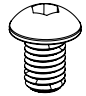
M6x10mm



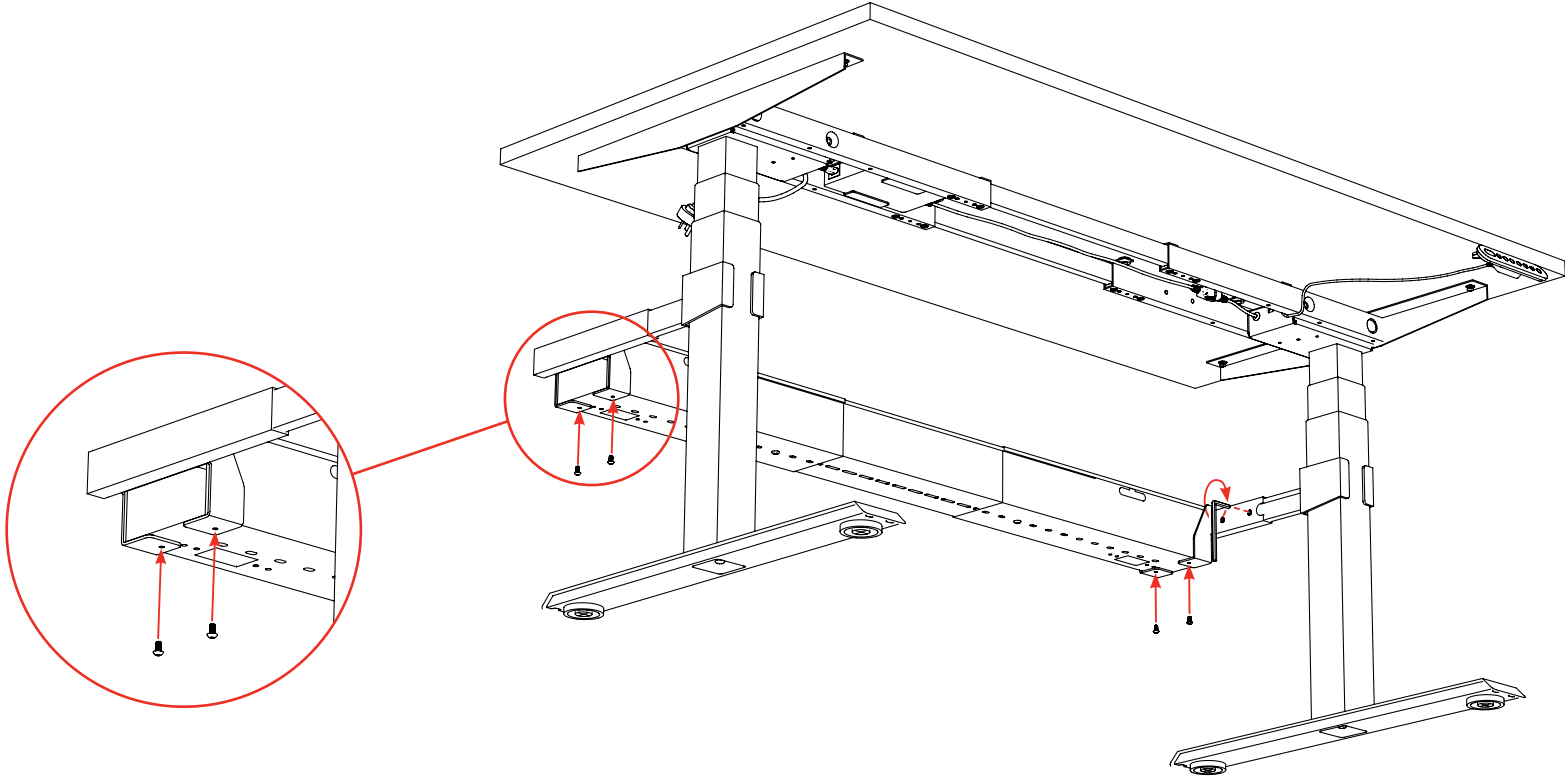
Optional SSD Cable Tray - Assembly Instructions

STEP 5:

4 pcs

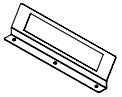


M5x6mm



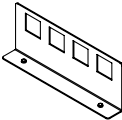
STEP 6:

1 pc



Power Plate

1 pc

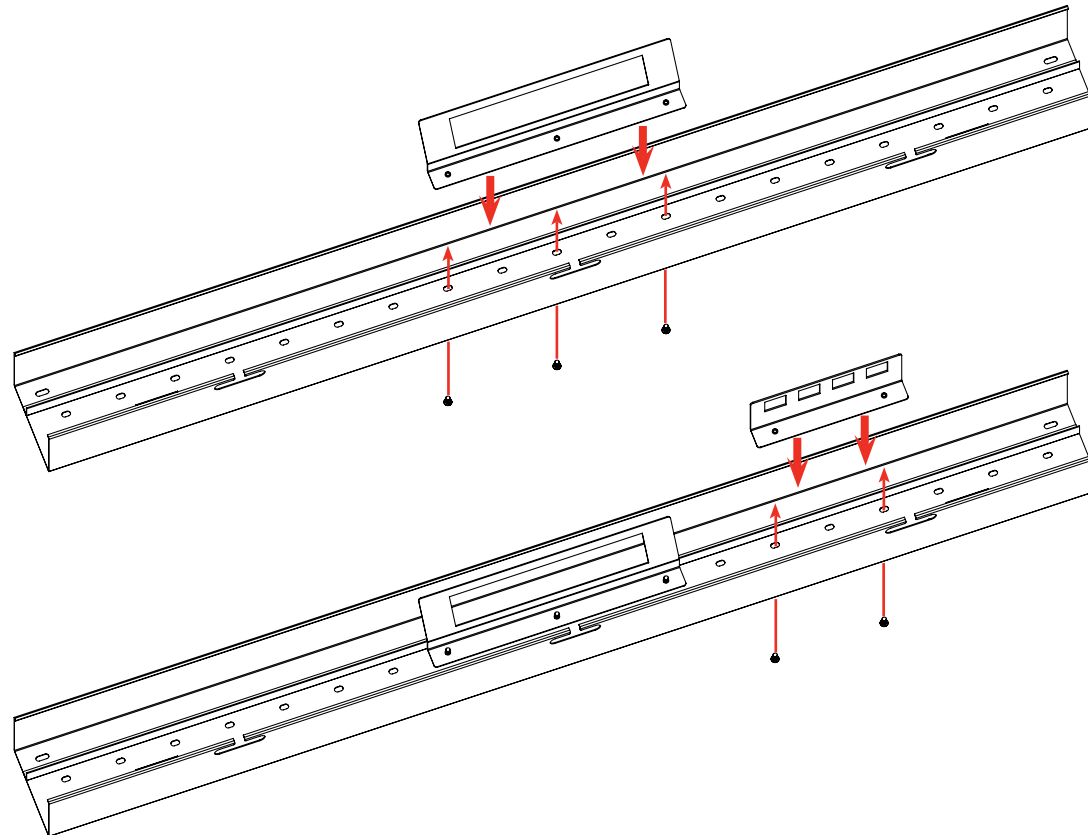


Data Plate

5 pcs

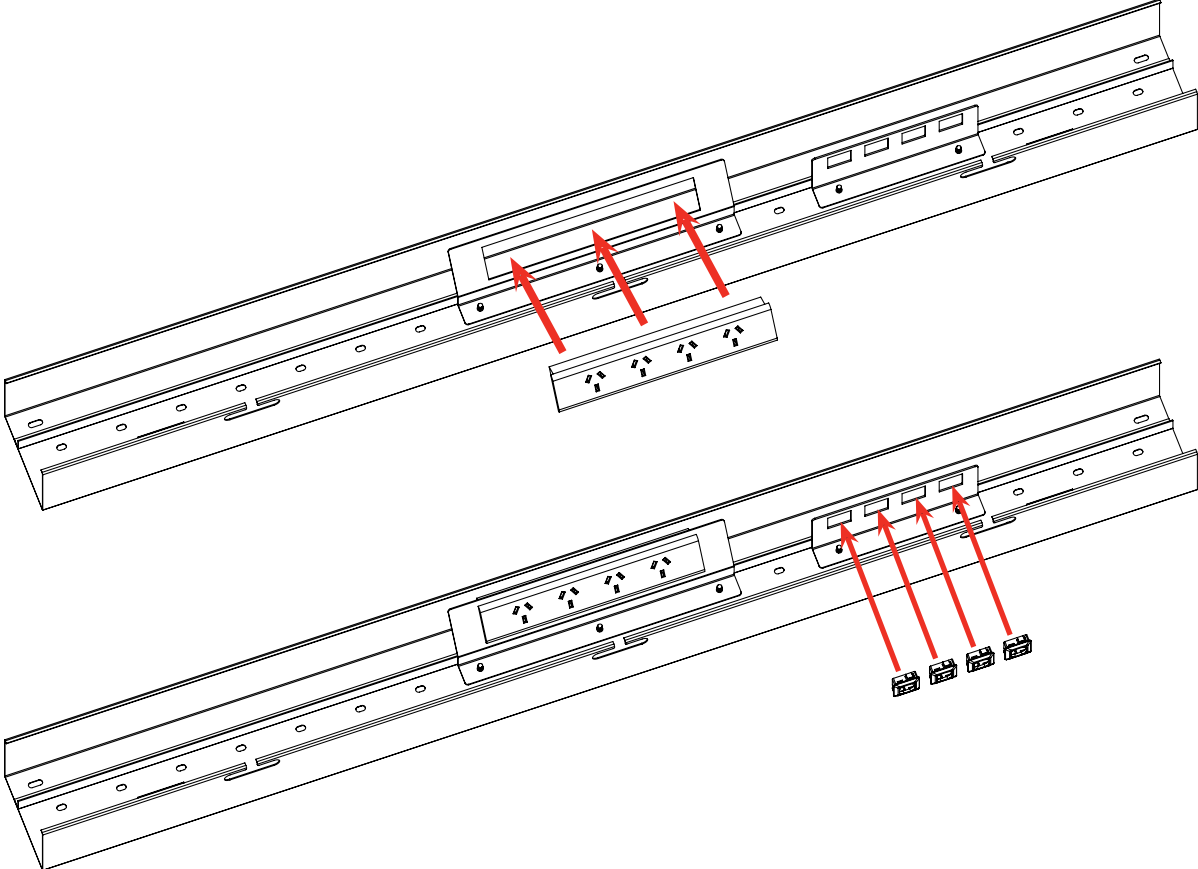


Screws



Optional SSD Cable Tray - Assembly Instructions

STEP 7:



Complete:

